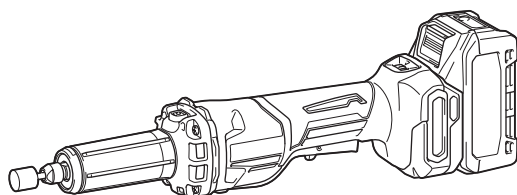
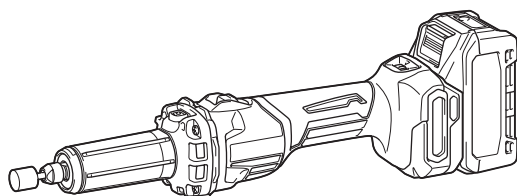




<b>EN</b>	<b>Cordless Die Grinder</b>	<b>INSTRUCTION MANUAL</b>	<b>5</b>
<b>FR</b>	<b>Meuleuse Droite Sans Fil</b>	<b>MANUEL D'INSTRUCTIONS</b>	<b>14</b>
<b>DE</b>	<b>Akku-Geradschleifer</b>	<b>BETRIEBSANLEITUNG</b>	<b>24</b>
<b>IT</b>	<b>Smerigliatrice diritta a batteria</b>	<b>ISTRUZIONI PER L'USO</b>	<b>34</b>
<b>NL</b>	<b>Accustempelslijpmachine</b>	<b>GEBRUIKSAANWIJZING</b>	<b>44</b>
<b>ES</b>	<b>Rectificador Inalámbrico</b>	<b>MANUAL DE INSTRUCCIONES</b>	<b>54</b>
<b>PT</b>	<b>Retificadeira a Bateria</b>	<b>MANUAL DE INSTRUÇÕES</b>	<b>64</b>
<b>EL</b>	<b>Φορητός ευθυλειαντήρας</b>	<b>ΕΓΧΕΙΡΙΔΙΟ ΟΔΗΓΙΩΝ</b>	<b>73</b>
<b>TR</b>	<b>Akülü Kalıp Taşlama Makinası</b>	<b>KULLANMA KILAVUZU</b>	<b>83</b>

**GD001G**  
**GD002G**



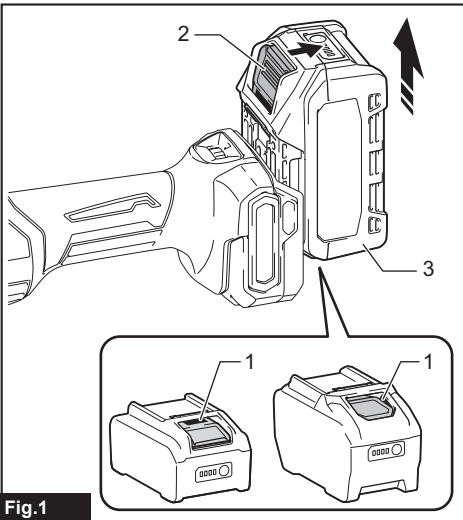


Fig.1

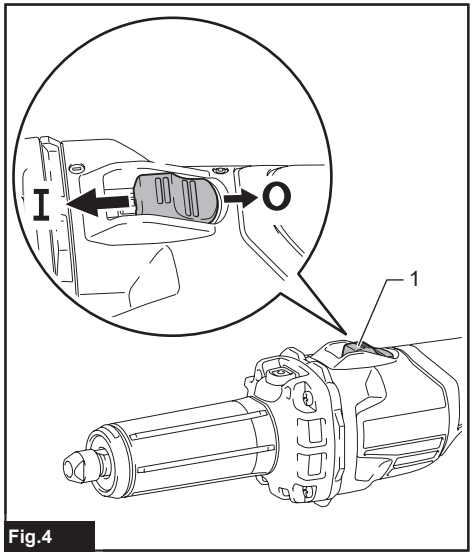


Fig.4

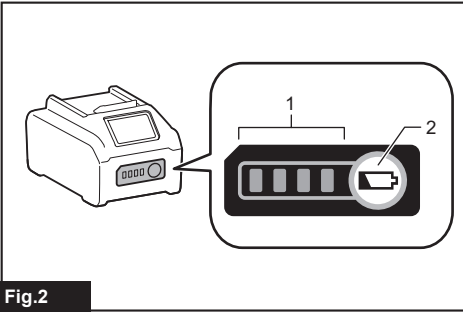


Fig.2

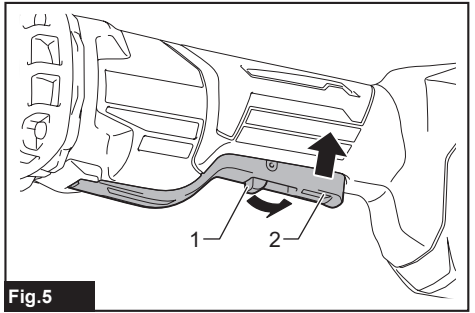


Fig.5

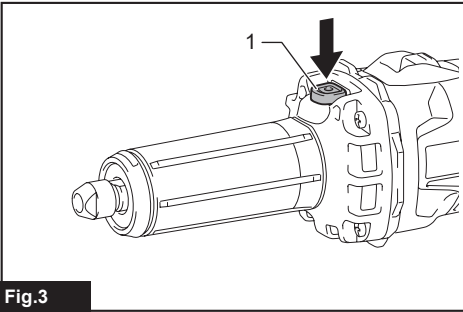


Fig.3

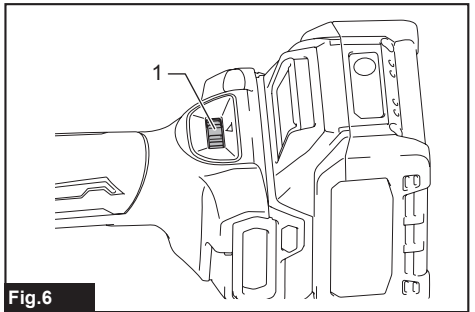


Fig.6

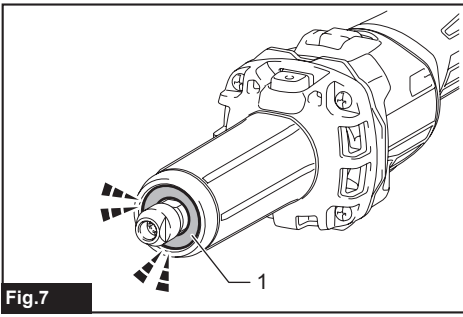


Fig.7

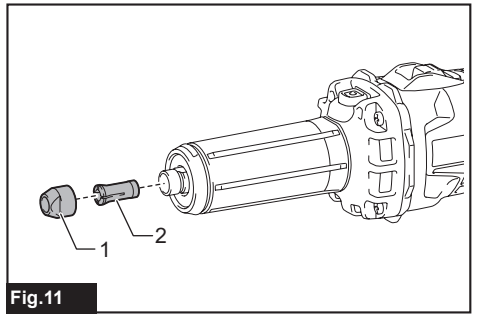


Fig.11

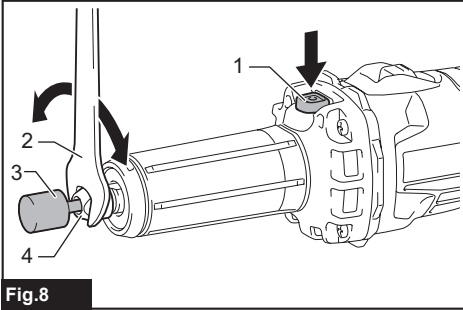


Fig.8

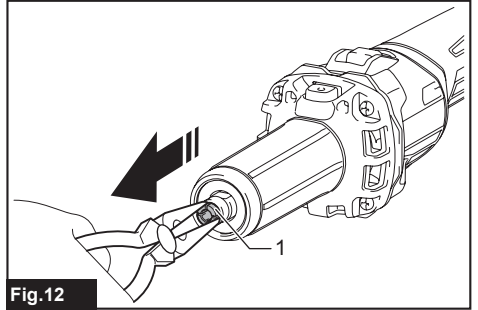


Fig.12

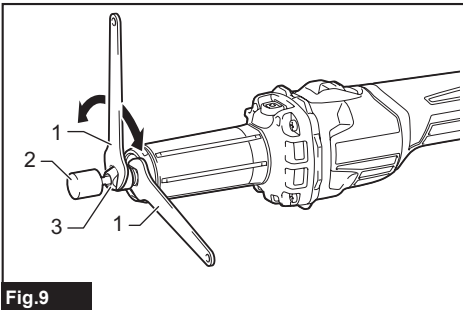


Fig.9

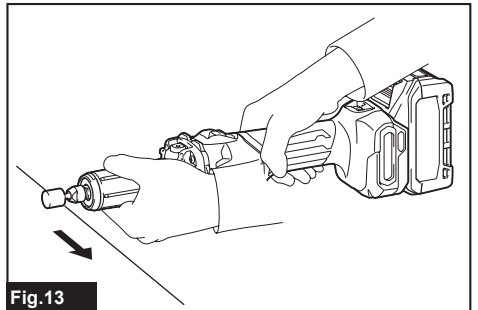


Fig.13

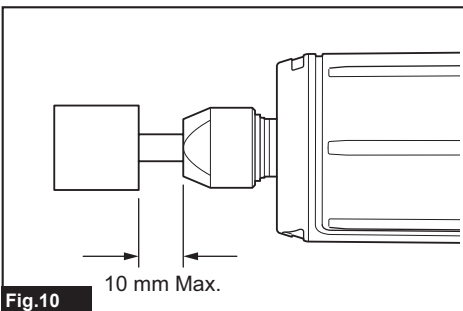


Fig.10

10 mm Max.

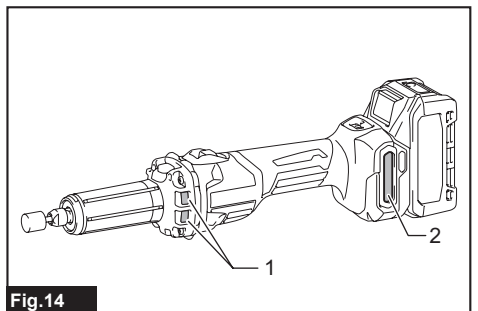
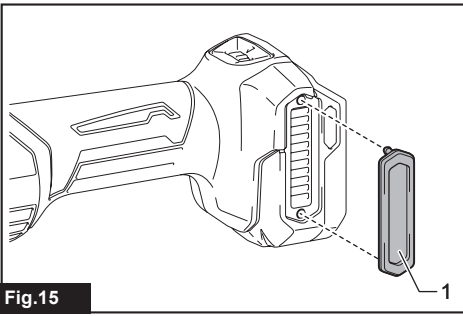


Fig.14



**Fig.15**

## SPECIFICATIONS

Model:		GD001G	GD002G
Collet size (country specific)		6 mm or 6.35 mm (1/4")	
Max. accessory size	Max. wheel point diameter ■ ■ ■ ■ ■	32 mm	
	Max. sanding wheel diameter	52 mm	
	Max. wire brush diameter	52 mm	
	Max. polishing wheel diameter	52 mm	
	Max. carving accessory diameter	52 mm	
	Max. cut-off wheel diameter	52 mm	
	Max. mandrel (shank) length	46 mm	
Rated speed (n)/No load speed (n <sub>0</sub> )		7,000 - 29,000 min <sup>-1</sup>	
Overall length	with BL4040	458 mm	
Net weight		2.2 - 3.4 kg	
Rated voltage		D.C. 36 V - 40 V max	

- Due to our continuing program of research and development, the specifications herein are subject to change without notice.
- Specifications may differ from country to country.
- The net weight value includes the lightest and heaviest combination of the attachment(s) and battery cartridge(s) which are specified in the instruction manual.

### Applicable battery cartridge and charger

Battery cartridge	BL4020* / BL4025* / BL4040* / BL4040F* / BL4050F* / BL4080F* * : Recommended battery
Charger	DC40RA / DC40RB / DC40RC / DC40WA / BCC01 / BCC02

- Some of the battery cartridges and chargers listed above may not be available depending on your region of residence.

**⚠ WARNING: Only use the battery cartridges and chargers listed above.** Use of any other battery cartridges and chargers may cause injury and/or fire.

### Applicable cord connected power source

Portable power pack	PDC01 / PDC1200 / PDC1500
---------------------	---------------------------

- The cord connected power source(s) listed above may not be available depending on your region of residence.
- Before using the cord connected power source, read instruction and cautionary markings on them.

### Intended use

The tool is intended for grinding ferrous materials or deburring castings, as well as for sanding, wire brushing, polishing, carving, and cutting-off.

### Noise

The typical A-weighted noise level determined according to EN60745-2-23:

#### Model GD001G

Work mode	Sound pressure level (L <sub>pa</sub> ) :	Sound power level (L <sub>WA</sub> ) :	Uncertainty (K) :
No load (artificial wheel 25-50 mm)	78 dB (A)	-	3 dB (A)
No load (artificial wheel 50 mm over)	80 dB(A)	91 dB (A)	3 dB(A)

## Model GD002G

Work mode	Sound pressure level ( $L_{pA}$ ) :	Sound power level ( $L_{WA}$ ) :	Uncertainty (K) :
No load (artificial wheel 25-50 mm)	78 dB(A)	-	3 dB(A)
No load (artificial wheel 50 mm over)	80 dB(A)	91 dB(A)	3 dB(A)

The noise level under working may exceed 80 dB (A).

**NOTE:** The declared noise emission value(s) has been measured in accordance with a standard test method and may be used for comparing one tool with another.

**NOTE:** The declared noise emission value(s) can also be used in a preliminary assessment of exposure.

**⚠ WARNING:** Wear ear protection.

**⚠ WARNING:** The noise emission during actual use of the power tool can differ from the declared total value(s) depending on the ways in which the tool is used.

**⚠ WARNING:** Be sure to identify safety measures to protect the operator that are based on an estimation of exposure in the actual conditions of use (taking account of all parts of the operating cycle such as the times when the tool is switched off and when it is running idle in addition to the trigger time).

## Vibration

The continuous vibration total value (tri-axial vector sum) determined according to EN60745-2-23:

### Model GD001G

Work mode	Vibration emission ( $a_h$ ) :	Uncertainty (K) :
Surface grinding (artificial wheel 25-50 mm)	5.4 $m/s^2$	1.5 $m/s^2$
Surface grinding (artificial wheel 50 mm over)	15.2 $m/s^2$	1.5 $m/s^2$

### Model GD002G

Work mode	Vibration emission ( $a_h$ ) :	Uncertainty (K) :
Surface grinding (artificial wheel 25-50 mm)	5.7 $m/s^2$	1.5 $m/s^2$
Surface grinding (artificial wheel 50 mm over)	14.6 $m/s^2$	1.5 $m/s^2$

**NOTE:** The declared vibration total value(s) has been measured in accordance with a standard test method and may be used for comparing one tool with another.

**NOTE:** The declared vibration total value(s) can also be used in a preliminary assessment of exposure.

**⚠ WARNING:** The vibration emission during actual use of the power tool can differ from the declared total value(s) depending on the ways in which the tool is used.

**⚠ WARNING:** Be sure to identify safety measures to protect the operator that are based on an estimation of exposure in the actual conditions of use (taking account of all parts of the operating cycle such as the times when the tool is switched off and when it is running idle in addition to the trigger time).

## Declarations of Conformity

### For European countries only

The Declarations of conformity are included in Annex A to this instruction manual.

## SAFETY WARNINGS

### General power tool safety warnings

**⚠ WARNING** Read all safety warnings, instructions, illustrations and specifications provided with this power tool. Failure to follow all instructions listed below may result in electric shock, fire and/or serious injury.

### Save all warnings and instructions for future reference.

The term "power tool" in the warnings refers to your mains-operated (corded) power tool or battery-operated (cordless) power tool.

### Cordless die grinder safety warnings

**Safety warnings common for grinding, sanding, wire brushing, polishing, carving or abrasive cutting-off operations:**

1. **This power tool is intended to function as a grinder, sander, wire brush, polisher, carving or cut-off tool. Read all safety warnings, instructions, illustrations and specifications provided with this power tool.** Failure to follow all instructions listed below may result in electric shock, fire and/or serious injury.
2. **Do not use accessories which are not specifically designed and recommended by the tool manufacturer.** Just because the accessory can be attached to your power tool, it does not assure safe operation.
3. **The rated speed of the grinding accessories must be at least equal to the maximum speed marked on the power tool.** Grinding accessories running faster than their rated speed can break and fly apart.
4. **The outside diameter and the thickness of your accessory must be within the capacity rating of your power tool.** Incorrectly sized accessories cannot be adequately controlled.

5. **The arbour size of wheels, sanding drums or any other accessory must properly fit the spindle or collet of the power tool.** Accessories that do not match the mounting hardware of the power tool will run out of balance, vibrate excessively and may cause loss of control.
6. **Mandrel mounted wheels, sanding drums, cutters or other accessories must be fully inserted into the collet or chuck.** If the mandrel is insufficiently held and/or the overhang of the wheel is too long, the mounted wheel may become loose and be ejected at high velocity.
7. **Do not use a damaged accessory. Before each use inspect the accessory such as abrasive wheels for chips and cracks, sanding drum for cracks, tear or excess wear, wire brush for loose or cracked wires. If power tool or accessory is dropped, inspect for damage or install an undamaged accessory. After inspecting and installing an accessory, position yourself and bystanders away from the plane of the rotating accessory and run the power tool at maximum no-load speed for one minute.** Damaged accessories will normally break apart during this test time.
8. **Wear personal protective equipment. Depending on application, use face shield, safety goggles or safety glasses. As appropriate, wear dust mask, hearing protectors, gloves and workshop apron capable of stopping small abrasive or workpiece fragments.** The eye protection must be capable of stopping flying debris generated by various operations. The dust mask or respirator must be capable of filtering particles generated by your operation. Prolonged exposure to high intensity noise may cause hearing loss.
9. **Keep bystanders a safe distance away from work area. Anyone entering the work area must wear personal protective equipment.** Fragments of workpiece or of a broken accessory may fly away and cause injury beyond immediate area of operation.
10. **Hold the power tool by insulated gripping surfaces only, when performing an operation where the cutting accessory may contact hidden wiring.** Cutting accessory contacting a "live" wire may make exposed metal parts of the power tool "live" and could give the operator an electric shock.
11. **Always hold the tool firmly in your hand(s) during the start-up.** The reaction torque of the motor, as it accelerates to full speed, can cause the tool to twist.
12. **Use clamps to support workpiece whenever practical. Never hold a small workpiece in one hand and the tool in the other hand while in use.** Clamping a small workpiece allows you to use your hand(s) to control the tool. Round material such as dowel rods, pipes or tubing have a tendency to roll while being cut and may cause the bit to bind or jump toward you.
13. **Never lay the power tool down until the accessory has come to a complete stop.** The spinning accessory may grab the surface and pull the power tool out of your control.
14. **After changing the bits or making any adjustments, make sure the collet nut, chuck or any other adjustment devices are securely tightened.** Loose adjustment devices can unexpectedly shift, causing loss of control, loose rotating components will be violently thrown.
15. **Do not run the power tool while carrying it at your side.** Accidental contact with the spinning accessory could snag your clothing, pulling the accessory into your body.
16. **Regularly clean the power tool's air vents.** The motor's fan will draw the dust inside the housing and excessive accumulation of powdered metal may cause electrical hazards.
17. **Do not operate the power tool near flammable materials.** Sparks could ignite these materials.
18. **Do not use accessories that require liquid coolants.** Using water or other liquid coolants may result in electrocution or shock.

#### **Kickback and related warnings**

Kickback is a sudden reaction to a pinched or snagged rotating wheel, sanding band, brush or any other accessory. Pinching or snagging causes rapid stalling of the rotating accessory which in turn causes the uncontrolled power tool to be forced in the direction opposite of the accessory's rotation.

For example, if an abrasive wheel is snagged or pinched by the workpiece, the edge of the wheel that is entering into the pinch point can dig into the surface of the material causing the wheel to climb out or kick out. The wheel may either jump toward or away from the operator, depending on direction of the wheel's movement at the point of pinching. Abrasive wheels may also break under these conditions.

Kickback is the result of power tool misuse and/or incorrect operating procedures or conditions and can be avoided by taking proper precautions as given below.

1. **Maintain a firm grip on the power tool and position your body and arm to allow you to resist kickback forces.** The operator can control kickback forces, if proper precautions are taken.
2. **Use special care when working corners, sharp edges etc. Avoid bouncing and snagging the accessory.** Corners, sharp edges or bouncing have a tendency to snag the rotating accessory and cause loss of control or kickback.
3. **Do not attach a toothed saw blade.** Such blades create frequent kickback and loss of control.
4. **Always feed the bit into the material in the same direction as the cutting edge is exiting from the material (which is the same direction as the chips are thrown).** Feeding the tool in the wrong direction causes the cutting edge of the bit to climb out of the work and pull the tool in the direction of this feed.
5. **When using rotary files, cut-off wheels, high-speed cutters or tungsten carbide cutters, always have the work securely clamped.** These wheels will grab if they become slightly canted in the groove, and can kickback. When a cut-off wheel grabs, the wheel itself usually breaks. When a rotary file, high-speed cutter or tungsten carbide cutter grabs, it may jump from the groove and you could lose control of the tool.

### Safety warnings specific for grinding and abrasive cutting-off operations:

1. Use only wheel types that are recommended for your power tool and only for recommended applications. For example: do not grind with the side of a cut-off wheel. Abrasive cut-off wheels are intended for peripheral grinding, side forces applied to these wheels may cause them to shatter.
2. Do not "jam" a cut-off wheel or apply excessive pressure. Do not attempt to make an excessive depth of cut. Overstressing the wheel increases the loading and susceptibility to twisting or snagging of the wheel in the cut and the possibility of kickback or wheel breakage.
3. Do not position your hand in line with and behind the rotating wheel. When the wheel, at the point of operation, is moving away from your hand, the possible kickback may propel the spinning wheel and the power tool directly at you.
4. When wheel is pinched, snagged or when interrupting a cut for any reason, switch off the power tool and hold the power tool motionless until the wheel comes to a complete stop. Never attempt to remove the cut-off wheel from the cut while the wheel is in motion otherwise kickback may occur. Investigate and take corrective action to eliminate the cause of wheel pinching or snagging.
5. Do not restart the cutting operation in the workpiece. Let the wheel reach full speed and carefully re-enter the cut. The wheel may bind, walk up or kickback if the power tool is restarted in the workpiece.
6. Support panels or any oversized workpiece to minimize the risk of wheel pinching and kickback. Large workpieces tend to sag under their own weight. Supports must be placed under the workpiece near the line of cut and near the edge of the workpiece on both sides of the wheel.
7. Use extra caution when making a "pocket cut" into existing walls or other blind areas. The protruding wheel may cut gas or water pipes, electrical wiring or objects that can cause kickback.

### Safety warnings specific for wire brushing operations:

1. Be aware that wire bristles are thrown by the brush even during ordinary operation. Do not overstress the wires by applying excessive load to the brush. The wire bristles can easily penetrate light clothing and/or skin.
2. Allow brushes to run at operating speed for at least one minute before using them. During this time no one is to stand in front or in line with the brush. Loose bristles or wires will be discharged during the run-in time.
3. Direct the discharge of the spinning wire brush away from you. Small particles and tiny wire fragments may be discharged at high velocity during the use of these brushes and may become imbedded in your skin.

### Additional Safety Warnings:

1. The tool is intended for use with bonded abrasive wheel points (grinding stones) permanently mounted on plain, unthreaded mandrel

(shanks).

2. Make sure the wheel is not contacting the workpiece before the switch is turned on.
3. Before using the tool on an actual workpiece, let it run for a while. Watch for vibration or wobbling that could indicate poor installation or a poorly balanced wheel.
4. Use the specified surface of the wheel to perform the grinding.
5. Watch out for flying sparks. Hold the tool so that sparks fly away from you and other persons or flammable materials.
6. Do not leave the tool running. Operate the tool only when hand-held.
7. Do not touch the workpiece immediately after operation; it may be extremely hot and could burn your skin.
8. Observe the instructions of the manufacturer for correct mounting and use of wheels. Handle and store wheels with care.
9. Check that the workpiece is properly supported.
10. Do not use the tool on any materials containing asbestos.
11. Always be sure you have a firm footing. Be sure no one is below when using the tool in high locations.

## SAVE THESE INSTRUCTIONS.

**⚠WARNING:** DO NOT let comfort or familiarity with product (gained from repeated use) replace strict adherence to safety rules for the subject product. MISUSE or failure to follow the safety rules stated in this instruction manual may cause serious personal injury.

## Important safety instructions for battery cartridge

1. Before using battery cartridge, read all instructions and cautionary markings on (1) battery charger, (2) battery, and (3) product using battery.
2. Do not disassemble or tamper with the battery cartridge. It may result in a fire, excessive heat, or explosion.
3. If operating time has become excessively shorter, stop operating immediately. It may result in a risk of overheating, possible burns and even an explosion.
4. If electrolyte gets into your eyes, rinse them out with clear water and seek medical attention right away. It may result in loss of your eyesight.
5. Do not short the battery cartridge:
  - (1) Do not touch the terminals with any conductive material.
  - (2) Avoid storing battery cartridge in a container with other metal objects such as nails, coins, etc.
  - (3) Do not expose battery cartridge to water or rain.

**A battery short can cause a large current flow, overheating, possible burns and even a breakdown.**

6. **Do not store and use the tool and battery cartridge in locations where the temperature may reach or exceed 50 °C (122 °F).**
7. **Do not incinerate the battery cartridge even if it is severely damaged or is completely worn out. The battery cartridge can explode in a fire.**
8. **Do not nail, cut, crush, throw, drop the battery cartridge, or hit against a hard object to the battery cartridge.** Such conduct may result in a fire, excessive heat, or explosion.
9. **Do not use a damaged battery.**
10. **The contained lithium-ion batteries are subject to the Dangerous Goods Legislation requirements.**  
For commercial transports e.g. by third parties, forwarding agents, special requirement on packaging and labeling must be observed.  
For preparation of the item being shipped, consulting an expert for hazardous material is required.  
Please also observe possibly more detailed national regulations.  
Tape or mask off open contacts and pack up the battery in such a manner that it cannot move around in the packaging.
11. **When disposing of the battery cartridge, remove it from the tool and dispose of it in a safe place. Follow your local regulations relating to disposal of battery.**
12. **Use the batteries only with the products specified by Makita.** Installing the batteries to non-compliant products may result in a fire, excessive heat, explosion, or leak of electrolyte.
13. **If the tool is not used for a long period of time, the battery must be removed from the tool.**
14. **During and after use, the battery cartridge may take on heat which can cause burns or low temperature burns. Pay attention to the handling of hot battery cartridges.**
15. **Do not touch the terminal of the tool immediately after use as it may get hot enough to cause burns.**
16. **Do not allow chips, dust, or soil stuck into the terminals, holes, and grooves of the battery cartridge.** It may cause heating, catching fire, burst and malfunction of the tool or battery cartridge, resulting in burns or personal injury.
17. **Unless the tool supports the use near high-voltage electrical power lines, do not use the battery cartridge near high-voltage electrical power lines.** It may result in a malfunction or breakdown of the tool or battery cartridge.
18. **Keep the battery away from children.**

## SAVE THESE INSTRUCTIONS.

**CAUTION:** Only use genuine Makita batteries. Use of non-genuine Makita batteries, or batteries that have been altered, may result in the battery bursting causing fires, personal injury and damage. It will also void the Makita warranty for the Makita tool and charger.

**NOTICE:** Makita is not responsible for any accidents resulting from the use of non-genuine Makita batteries or batteries that have been modified. Genuine Makita batteries have been rigorously evaluated for compatibility with Makita tools and chargers, in line with applicable legislation and safety standards.

## Tips for maintaining maximum battery life

1. **Charge the battery cartridge before completely discharged. Always stop tool operation and charge the battery cartridge when you notice less tool power.**
2. **Never recharge a fully charged battery cartridge. Overcharging shortens the battery service life.**
3. **Charge the battery cartridge with room temperature at 10 °C - 40 °C (50 °F - 104 °F). Let a hot battery cartridge cool down before charging it.**
4. **When not using the battery cartridge, remove it from the tool or the charger.**
5. **Charge the battery cartridge if you do not use it for a long period (more than six months).**

## FUNCTIONAL DESCRIPTION

**WARNING:** Always be sure that the tool is switched off and the battery cartridge is removed before adjusting or checking function on the tool.

## Installing or removing battery cartridge

**CAUTION:** Always switch off the tool before installing or removing of the battery cartridge.

**CAUTION:** Hold the tool and the battery cartridge firmly when installing or removing battery cartridge. Failure to hold the tool and the battery cartridge firmly may cause them to slip off your hands and result in damage to the tool and battery cartridge and a personal injury.

To install the battery cartridge, align the tongue on the battery cartridge with the groove in the housing and slip it into place. Insert it all the way until it locks in place with a little click. If you can see the red indicator as shown in the figure, it is not locked completely.

To remove the battery cartridge, slide it from the tool while sliding the button on the front of the cartridge.

► Fig.1: 1. Red indicator 2. Button 3. Battery cartridge

**⚠ CAUTION:** Always install the battery cartridge fully until the red indicator cannot be seen. If not, it may accidentally fall out of the tool, causing injury to you or someone around you.

**⚠ CAUTION:** Do not install the battery cartridge forcibly. If the cartridge does not slide in easily, it is not being inserted correctly.

## Indicating the remaining battery capacity

Press the check button on the battery cartridge to indicate the remaining battery capacity. The indicator lamps light up for a few seconds.

► Fig.2: 1. Indicator lamps 2. Check button

Indicator lamps			Remaining capacity
Lighted	Off	Blinking	
			75% to 100%
			50% to 75%
			25% to 50%
			0% to 25%
			Charge the battery.
			The battery may have malfunctioned.

**NOTE:** Depending on the conditions of use and the ambient temperature, the indication may differ slightly from the actual capacity.

**NOTE:** The first (far left) indicator lamp will blink when the battery protection system works.

## Tool / battery protection system

The tool is equipped with a tool/battery protection system. This system automatically cuts off power to the motor to extend tool and battery life. The tool will automatically stop during operation if the tool or battery is placed under one of the following conditions:

### Overload protection

When the tool/battery is operated in a manner that causes it to draw an abnormally high current, the tool automatically stops without any indication. In this situation, turn the tool off and stop the application that caused the tool to become overloaded. Then turn the tool on to restart.

### Overheat protection

When the tool/battery is overheated, the tool stops automatically and the lamp blinks. Let the tool cool down before turning the tool on again.

## Overdischarge protection

When the battery capacity is not enough, the tool stops automatically. In this case, remove the battery from the tool and charge the battery.

## Releasing protection lock

When the protection system works repeatedly, the tool is locked.

In this situation, the tool does not start even if turning the tool off and on. To release the protection lock, remove the battery, set it to the battery charger and wait until the charging finishes.

## Protections against other causes

Protection system is also designed for other causes that could damage the tool and allows the tool to stop automatically. Take all the following steps to clear the causes, when the tool has been brought to a temporary halt or stop in operation.

1. Make sure that all switch(es) is/are in the off position, and then turn the tool on again to restart.
2. Charge the battery(ies) or replace it/them with recharged battery(ies).
3. Let the tool and battery(ies) cool down.

If no improvement can be found by restoring protection system, then contact your local Makita Service Center.

## Shaft lock

**⚠ WARNING:** Never actuate the shaft lock when the spindle is moving. It may cause serious injury or the tool damage.

**⚠ WARNING:** Make sure that the shaft lock fully returns to its original position after releasing it.

Press the shaft lock to prevent spindle rotation when installing or removing accessories.

► Fig.3: 1. Shaft lock

## Switch action

Only for model GD001G

**⚠ CAUTION:** Before installing the battery cartridge into the tool, always check to see that the slide switch actuates properly and returns to the "OFF" position when the rear of the slide switch is depressed.

**⚠ CAUTION:** Switch can be locked in "ON" position for ease of operator comfort during extended use. Apply caution when locking tool in "ON" position and maintain firm grasp on tool.

To start the tool, slide the slide switch toward the "I (ON)" position. For continuous operation, press down the front end of the slide switch to lock it.

To stop the tool, press down the rear end of the slide switch, then slide it toward the "O (OFF)" position.

► Fig.4: 1. Slide switch

**⚠ CAUTION:** Before installing the battery cartridge into the tool, always check to see that the switch lever actuates properly and returns to the "OFF" position when released.

**⚠ CAUTION:** For your safety, this tool is equipped with lock-off lever which prevents the tool from unintended starting. NEVER use the tool if it runs when you simply pull the switch lever without pulling the lock-off lever. Return the tool to our authorized service center for proper repairs BEFORE further usage.

**⚠ CAUTION:** Do not pull the switch lever hard without pulling the lock-off lever. This can cause switch breakage.

**⚠ CAUTION:** NEVER tape down or defeat purpose and function of lock-off lever.

To prevent the switch lever from being accidentally pulled, a lock-off lever is provided. To start the tool, pull the lock-off lever toward the operator and then pull the switch lever. To stop the tool, release the switch lever.

► Fig.5: 1. Lock-off lever 2. Switch lever

## Speed adjusting dial

The rotation speed of the tool can be changed by turning the speed adjusting dial. The table below shows the number on the dial and the corresponding rotation speed.

► Fig.6: 1. Speed adjusting dial

Number	Speed
1	7,000 min <sup>-1</sup>
2	12,500 min <sup>-1</sup>
3	18,000 min <sup>-1</sup>
4	23,500 min <sup>-1</sup>
5	29,000 min <sup>-1</sup>

**NOTICE:** If the tool is operated continuously at low speed for a long time, the motor will get overloaded, resulting in tool malfunction.

**NOTICE:** The speed adjusting dial can be turned only as far as 5 and back to 1. Do not force it past 5 or 1, or the speed adjusting function may no longer work.

## Lighting up the front lamp

**⚠ CAUTION:** Do not look in the light or see the source of light directly.

The front lamp lights up for 10 seconds after installing the battery cartridge or lights up continuously while the switch is ON.

The lamp goes out 10 seconds after the switch is OFF.

► Fig.7: 1. Front lamp

## Disabling or enabling the lamp status

To disable or enable the lamp status, follow the steps below.

1. Insert the battery cartridge into the tool.
2. Set the speed adjusting dial to "5".
3. Turn the speed adjusting dial to "1", and then set it back to "5".

**NOTE:** The lamp status can be changed within 10 seconds of inserting the battery cartridge. Once the switch is turned on, the lamp status cannot be changed, even if it is within 10 seconds of inserting the battery cartridge.

**NOTE:** The lamp status can also be changed by setting the speed adjusting dial to "1" - "5" - "1".

**NOTE:** To set the lamp status again, first remove the battery cartridge and then adjust the speed adjusting dial.

**NOTE:** The lamp status will be the same as it was the last time the tool was used.

## Accidental re-start preventive function

When installing the battery cartridge while the switch is ON, the tool does not start.

To start the tool, turn off the switch, and turn it on again.

## Active Feedback sensing Technology

The tool electronically detects situations where the wheel or accessory may be at risk to be bound. In the situation, the tool is automatically shut off to prevent further rotation of the spindle (it does not prevent kickback).

To restart the tool, switch off the tool first, remove the cause of sudden drop in the rotation speed, and then turn the tool on.

## Soft start feature

Soft start feature reduces starting reaction.

## Constant speed control

Possible to get fine finish, because the rotating speed is kept constant even under the loaded condition.

## Electric brake

Electric brake is activated after the tool is switched off. The brake does not work when the power supply is shut down, such as the battery is removed accidentally, with the switch still on.

## ASSEMBLY

**⚠ CAUTION:** Always be sure that the tool is switched off and the battery cartridge is removed before carrying out any work on the tool.

## Installing or removing accessory

**CAUTION:** Use the correct size collet cone for the accessory which you intend to use.

**NOTICE:** Do not tighten the collet nut without inserting an accessory. Otherwise it can lead to breakage of the collet cone.

### Using shaft lock

Press the shaft lock firmly so that the spindle cannot revolve. Loosen the collet nut counterclockwise and insert the accessory into the collet nut. Tighten the collet nut clockwise by using the wrench.

- **Fig.8:** 1. Shaft lock 2. Wrench 3. Accessory  
4. Collet nut

### Using two wrenches

Loosen the collet nut counterclockwise and insert the accessory into the collet nut. Use one wrench to hold the spindle. Using another wrench, turn the collet nut clockwise to tighten securely.

- **Fig.9:** 1. Wrench 2. Accessory 3. Collet nut

**NOTE:** If you cannot insert the accessory into the collet nut after loosening the collet nut, the collet cone may obstruct the accessory. In that case, remove the collet nut and reposition the collet cone.

The accessory should not be mounted more than 10 mm from the collet nut. Exceeding this distance could cause vibration or a broken shaft.

- **Fig.10**

### Changing collet cone

1. Loosen the collet nut and remove it.
2. Replace the installed collet cone with desired collet cone.
3. Reinstall the collet nut.

- **Fig.11:** 1. Collet nut 2. Collet cone

If the collet cone cannot be removed, pinch the collet cone with long-nose pliers and remove it.

To prevent the collet cone deformation, do not apply excessive force when pinching it.

- **Fig.12:** 1. Collet cone

## OPERATION

**CAUTION:** Apply light pressure on the tool. Excessive pressure on the tool will only cause a poor finish and overloading of the motor.

**CAUTION:** The accessory continues to rotate after the tool is switched off.

**CAUTION:** Hold the tool securely with both hands.

**CAUTION:** When using the accessories that are sold on the market, always make sure the rated speed of the accessories must be at least equal to the maximum speed marked on the tool.

Turn the tool on without the accessory making any contact with the workpiece and wait until the accessory attains full speed. Then apply the accessory to the workpiece gently.

- **Fig.13**

**NOTE:** When operating side grinding, moving the tool in the leftward direction slowly can obtain a good finish.

## MAINTENANCE

**CAUTION:** Always be sure that the tool is switched off and the battery cartridge is removed before attempting to perform inspection or maintenance.

**NOTICE:** Never use gasoline, benzine, thinner, alcohol or the like. Discoloration, deformation or cracks may result.

To maintain product SAFETY and RELIABILITY, repairs, any other maintenance or adjustment should be performed by Makita Authorized or Factory Service Centers, always using Makita replacement parts.

### Dressing wheel point

When the wheel point becomes "loaded" with various bits and particles, you should dress the wheel point with the dressing stone.

### Air vent cleaning

The tool and its air vents have to be kept clean. Regularly clean the tool's air vents or whenever the vents start to become obstructed.

- **Fig.14:** 1. Exhaust vent 2. Inhalation vent

Remove the dust cover from inhalation vent and clean it for smooth air circulation.

- **Fig.15:** 1. Dust cover

**NOTICE:** Clean out the dust cover when it is clogged with dust or foreign matters. Continuing operation with a clogged dust cover may damage the tool.

# OPTIONAL ACCESSORIES


**⚠ CAUTION:** These accessories or attachments are recommended for use with your Makita tool specified in this manual. The use of any other accessories or attachments might present a risk of injury to persons. Only use accessory or attachment for its stated purpose.

If you need any assistance for more details regarding these accessories, ask your local Makita Service Center.

- Wheel points
- Collet cone (3 mm, 6 mm, 8 mm, 1/4", 1/8")
- Collet nut
- Wrench 13
- Makita genuine battery and charger

**NOTE:** Some items in the list may be included in the tool package as standard accessories. They may differ from country to country.

## SPÉCIFICATIONS

Modèle :		GD001G	GD002G
Taille du mandrin (propre au pays)		6 mm ou 6,35 mm (1/4")	
Taille max. de l'accessoire	Diamètre max. de la meule sur tige 	32 mm	
	Diamètre max. du disque de ponçage	52 mm	
	Diamètre max. de la brosse métallique	52 mm	
	Diamètre max. du disque de polissage	52 mm	
	Diamètre max. de l'accessoire de ciselage	52 mm	
	Diamètre max. de la meule à tronçonner	52 mm	
	Longueur max. du mandrin (tige)	46 mm	
Vitesse nominale (n)/Vitesse à vide (n <sub>0</sub> )		7 000 - 29 000 min <sup>-1</sup>	
Longueur totale	avec BL4040	458 mm	
Poids net		2,2 - 3,4 kg	
Tension nominale		36 V - 40 V c.c. max.	

- Étant donné l'évolution constante de notre programme de recherche et de développement, les spécifications contenues dans ce manuel sont sujettes à modification sans préavis.
- Les spécifications peuvent varier suivant les pays.
- Le poids net inclut le poids combiné le plus léger et le plus lourd du ou des accessoires et de la ou des batteries spécifiés dans le mode d'emploi.

### Batterie et chargeur applicables

Batterie	BL4020* / BL4025* / BL4040* / BL4040F* / BL4050F* / BL4080F * : Batterie recommandée
Chargeur	DC40RA / DC40RB / DC40RC / DC40WA / BCC01 / BCC02

- Certains chargeurs et batteries répertoriés ci-dessus peuvent ne pas être disponibles selon la région où vous résidez.

**⚠ AVERTISSEMENT** : N'utilisez que les batteries et les chargeurs répertoriés ci-dessus. L'utilisation d'autres batteries et chargeurs peut provoquer des blessures et/ou un incendie.

### Source d'alimentation connectée par cordon applicable

Support d'alimentation portable	PDC01 / PDC1200 / PDC1500
---------------------------------	---------------------------

- La ou les sources d'alimentation connectées par cordon répertoriées ci-dessus peuvent ne pas être disponibles selon la région où vous résidez.
- Avant d'utiliser la source d'alimentation connectée par cordon, lisez les instructions et les avertissements inscrits dessus.

### Utilisations

L'outil est conçu pour le meulage des matériaux ferreux ou pour l'ébavurage des pièces moulées, ainsi que pour le ponçage, le brossage métallique, le polissage, le ciselage et le tronçonnage.

## Bruit

Niveau de bruit pondéré A typique, déterminé selon EN60745-2-23 :

### Modèle GD001G

Mode de travail	Niveau de pression sonore ( $L_{pA}$ ) :	Niveau de puissance sonore ( $L_{WA}$ ) :	Incertitude (K) :
À vide (meule artificielle 25-50 mm)	78 dB (A)	-	3 dB (A)
À vide (meule artificielle 50 mm et plus)	80 dB(A)	91 dB (A)	3 dB(A)

### Modèle GD002G

Mode de travail	Niveau de pression sonore ( $L_{pA}$ ) :	Niveau de puissance sonore ( $L_{WA}$ ) :	Incertitude (K) :
À vide (meule artificielle 25-50 mm)	78 dB(A)	-	3 dB(A)
À vide (meule artificielle 50 mm et plus)	80 dB(A)	91 dB(A)	3 dB(A)

Le niveau de bruit en fonctionnement peut dépasser 80 dB (A).

**NOTE** : La ou les valeurs d'émission de bruit déclarées ont été mesurées conformément à la méthode de test standard et peuvent être utilisées pour comparer les outils entre eux.

**NOTE** : La ou les valeurs d'émission de bruit déclarées peuvent aussi être utilisées pour l'évaluation préliminaire de l'exposition.

**⚠ AVERTISSEMENT** : Portez un serre-tête antibruit.

**⚠ AVERTISSEMENT** : L'émission de bruit lors de l'usage réel de l'outil électrique peut être différente de la ou des valeurs totales déclarées, suivant la façon dont l'outil est utilisé.

**⚠ AVERTISSEMENT** : Les mesures de sécurité à prendre pour protéger l'utilisateur doivent être basées sur une estimation de l'exposition dans des conditions réelles d'utilisation (en tenant compte de toutes les composantes du cycle d'utilisation, comme par exemple le moment de sa mise hors tension, lorsqu'il tourne à vide et le moment de son déclenchement).

## Vibrations

La valeur totale de vibrations continues (somme de vecteur triaxial) déterminée selon EN60745-2-23 :

### Modèle GD001G

Mode de travail	Émission de vibrations ( $a_h$ ) :	Incertitude (K) :
Meulage de surface (meule artificielle 25-50 mm)	5,4 m/s <sup>2</sup>	1,5 m/s <sup>2</sup>
Meulage de surface (meule artificielle 50 mm et plus)	15,2 m/s <sup>2</sup>	1,5 m/s <sup>2</sup>

### Modèle GD002G

Mode de travail	Émission de vibrations ( $a_h$ ) :	Incertitude (K) :
Meulage de surface (meule artificielle 25-50 mm)	5,7 m/s <sup>2</sup>	1,5 m/s <sup>2</sup>
Meulage de surface (meule artificielle 50 mm et plus)	14,6 m/s <sup>2</sup>	1,5 m/s <sup>2</sup>

**NOTE** : La ou les valeurs de vibration totales déclarées ont été mesurées conformément à la méthode de test standard et peuvent être utilisées pour comparer les outils entre eux.

**NOTE** : La ou les valeurs totales de vibration déclarées peuvent aussi être utilisées pour l'évaluation préliminaire de l'exposition.

**⚠ AVERTISSEMENT** : L'émission de vibrations lors de l'usage réel de l'outil électrique peut être différente de la ou des valeurs totales déclarées, suivant la façon dont l'outil est utilisé.

**⚠ AVERTISSEMENT** : Les mesures de sécurité à prendre pour protéger l'utilisateur doivent être basées sur une estimation de l'exposition dans des conditions réelles d'utilisation (en tenant compte de toutes les composantes du cycle d'utilisation, comme par exemple le moment de sa mise hors tension, lorsqu'il tourne à vide et le moment de son déclenchement).

## Déclarations de conformité

*Pour les pays européens uniquement*

Les déclarations de conformité sont fournies en Annexe A à ce mode d'emploi.

## CONSIGNES DE SÉCURITÉ

### Consignes de sécurité générales pour outils électriques

**⚠ AVERTISSEMENT** Veuillez lire toutes les consignes de sécurité, instructions, illustrations et spécifications qui accompagnent cet outil électrique. Le non-respect de toutes les instructions indiquées ci-dessous peut entraîner une électrocution, un incendie et/ou de graves blessures.

### Conservez toutes les mises en garde et instructions pour référence ultérieure.

Le terme « outil électrique » dans les avertissements fait référence à l'outil électrique alimenté par le secteur (avec cordon d'alimentation) ou à l'outil électrique fonctionnant sur batterie (sans cordon d'alimentation).

## Consignes de sécurité pour meuleuse droite sans fil

Consignes de sécurité communes aux travaux de meulage, ponçage, brossage métallique, polissage, ciselage ou tronçonnage abrasif :

- Cet outil électrique est conçu pour être utilisé en tant que meuleuse, perceuse, brosse métallique, polisseuse, outil de ciselage ou tronçonnage. Veuillez consulter les consignes de sécurité, les instructions, les illustrations et les spécifications fournies avec cet outil électrique.** Le non-respect de toutes les instructions indiquées ci-dessous peut entraîner une électrocution, un incendie et/ou de graves blessures.
- N'utilisez pas d'accessoires qui n'ont pas été conçus spécifiquement et recommandés par le fabricant de l'outil.** Même si un accessoire peut être fixé sur l'outil électrique, cela ne garantit pas qu'il fonctionnera de manière sûre.
- La vitesse nominale des accessoires de meulage doit être au moins égale à la vitesse maximum inscrite sur l'outil électrique.** Les accessoires de meulage tournant plus vite que leur vitesse nominale peuvent se casser et voler en éclats.
- Le diamètre externe et l'épaisseur de l'accessoire ne doivent pas dépasser la capacité nominale de l'outil électrique.** La maîtrise d'accessoires de format incorrect ne peut être garantie.
- L'orifice des meules, des cylindres de ponçage ou de tout autre accessoire doit s'insérer parfaitement sur l'axe ou le mandrin de l'outil électrique.** Les accessoires qui ne sont pas bien adaptés à la taille de la pièce où ils sont montés sur l'outil électrique se déséquilibreront, vibreront trop et pourront entraîner une perte de maîtrise de l'outil.
- Les meules, cylindres de ponçage, outils de coupe ou autres accessoires montés sur mandrin doivent être complètement insérés dans le mandrin ou le porte-outil.** Si le mandrin n'est pas assez retenu et/ou le porte-à-faux de la meule est trop long, la meule fixée peut se détacher et être éjectée à grande vitesse.
- N'utilisez pas d'accessoire endommagé.** Avant chaque utilisation, assurez-vous que la meule abrasive est exempte de copeaux et fissures, que le cylindre de ponçage n'est pas fissuré, déchiré ou trop usé, ou que la brosse métallique est exempte de fils métalliques lâches ou cassés. Si vous laissez tomber l'outil électrique ou un accessoire, assurez-vous qu'il n'est pas endommagé ou bien remplacez l'accessoire endommagé. Après avoir vérifié et posé un accessoire, assurez-vous que personne, y compris vous-même, ne se trouve dans la trajectoire de l'accessoire en rotation et faites tourner l'outil électrique à vitesse à vide maximale pendant une minute. Les accessoires endommagés se brisent généralement au cours de cette période d'essai.
- Portez un équipement de protection individuelle.** Suivant le type de travail à effectuer, portez une visière, des lunettes à coques ou des lunettes de sécurité. Au besoin, portez un masque antipoussières, des protections d'oreilles, des gants et un tablier de travail capable de protéger contre les petits fragments abrasifs ou les fragments de pièce. Les lunettes de sécurité doivent pouvoir arrêter les débris volants produits par les diverses opérations de la meule. Le masque antipoussières ou le masque filtrant doit pouvoir filtrer les particules générées lors de la tâche. Une exposition prolongée à un bruit d'intensité élevée peut entraîner une perte auditive.
- Les personnes présentes doivent se trouver à une distance sûre de la zone de travail. Toute personne pénétrant dans la zone de travail doit porter un équipement de protection individuelle.** Des fragments de pièce ou un accessoire cassé peuvent être projetés et blesser quelqu'un dans la zone de travail.
- Tenez l'outil électrique uniquement par ses surfaces de prise isolées, lors d'une opération au cours de laquelle l'accessoire de coupe peut entrer en contact avec un fil caché.** Le contact de l'accessoire de coupe avec un fil sous tension peut transmettre du courant dans les pièces métalliques exposées de l'outil électrique et électrocuter l'opérateur.
- Tenez toujours fermement l'outil dans votre ou vos mains au démarrage.** Le couple de réaction du moteur à mesure qu'il atteint sa pleine vitesse peut faire se tordre l'outil.
- Utilisez des attaches pour soutenir la pièce si possible. Ne tenez jamais une petite pièce d'une main et l'outil de l'autre main en cours d'utilisation.** En attachant une petite pièce, vous pouvez utiliser vos deux mains pour maîtriser l'outil. Les matériaux cylindriques comme les tiges de goupille, les tuyaux ou les tubes ont tendance à rouler pendant la découpe et peuvent provoquer le coinçement de l'embout ou sa projection dans votre direction.
- Ne déposez jamais l'outil électrique avant que l'accessoire ne se soit parfaitement arrêté.** L'accessoire en rotation peut accrocher la surface et projeter l'outil électrique de telle sorte que vous en perdiez la maîtrise.
- Après avoir changé les embouts ou procédé à des réglages, assurez-vous que l'écrou de mandrin, le porte-outil ou tout autre dispositif de réglage est solidement serré.** Des dispositifs de réglage mal serrés peuvent bouger brusquement, provoquant une perte de maîtrise et la projection violente des pièces rotatives détachées.
- Ne laissez pas l'outil électrique tourner en le transportant le long de votre corps.** En cas de contact accidentel avec l'accessoire en rotation, ce dernier risque d'accrocher vos vêtements et d'être entraîné vers votre corps.
- Nettoyez régulièrement les orifices de ventilation de l'outil électrique.** Le ventilateur du moteur aspire les poussières dans le carter ; une accumulation excessive de poussière métallique peut entraîner un risque de danger électrique.
- N'utilisez pas l'outil électrique près de matériaux inflammables.** Les étincelles risqueraient

d'enflammer ces matériaux.

18. **N'utilisez pas d'accessoires qui requièrent un liquide de refroidissement.** L'utilisation d'eau ou de tout autre liquide de refroidissement peut entraîner l'électrocution ou un choc électrique.

#### **Mises en garde concernant le choc en retour et autres dangers**

Le choc en retour est une réaction soudaine qui survient lorsque la meule, le cylindre de ponçage, la brosse ou un autre accessoire en rotation se coince ou accroche. Lorsque l'accessoire en rotation se coince ou accroche, il s'arrête soudainement et l'utilisateur perd alors la maîtrise de l'outil électrique qui est projeté dans le sens contraire de sa rotation.

Par exemple, si une meule abrasive est tirée ou coincée par la pièce, le rebord de la meule entrant dans le point de pincement peut accrocher la surface du matériau, entraînant la sortie ou le déchaussement de la meule. La meule peut alors bondir vers l'utilisateur ou en sens opposé, suivant son sens de rotation là où elle s'est coincée. Il y a aussi risque de rupture de la meule abrasive dans ces conditions.

Le choc en retour est le résultat d'une utilisation abusive de l'outil électrique et/ou de l'inobservation des procédures d'utilisation. Il peut être évité en prenant les précautions nécessaires comme indiqué ci-dessous.

1. **Maintenez une poigne ferme sur l'outil électrique et placez votre corps et votre bras de manière à pouvoir résister à la force du choc en retour.** L'utilisateur peut maîtriser la force exercée par le choc en retour s'il prend les précautions nécessaires.
2. **Soyez tout particulièrement prudent lorsque vous travaillez dans les coins, sur des arêtes vives, etc. Évitez de laisser l'accessoire sautiller ou accrocher.** L'accessoire en rotation a tendance à accrocher dans les coins, sur les arêtes vives et lorsqu'il sautille, ce qui comporte un risque de perte de maîtrise ou de choc en retour.
3. **Ne fixez pas une lame de scie dentée.** De telles lames causent fréquemment des chocs en retour et la perte du contrôle.
4. **Faites toujours avancer l'embout dans le matériau dans le même sens que l'arête tranchante qui sort du matériau (qui est le même sens de projection des copeaux).** Faire avancer l'outil dans le mauvais sens fait que l'arête tranchante de l'embout remonte de la pièce et entraîne l'outil dans le sens de cet avancement.
5. **Lors de l'utilisation de limes rotatives, de meules à tronçonner, d'outils de coupe à grande vitesse ou en carbure de tungstène, veillez à ce que la pièce soit toujours bien serrée.** Ces meules s'agrippent si elles sont légèrement inclinées dans la rainure et peuvent rebondir. Lorsqu'une meule à tronçonner s'agrippe, la meule elle-même se brise généralement. Lorsqu'une lime rotative, un outil de coupe à grande vitesse ou en carbure de tungstène s'agrippent, ils peuvent sauter de la rainure et vous risquez de perdre la maîtrise de l'outil.

#### **Consignes de sécurité spécifiques aux travaux de meulage et de tronçonnage abrasif :**

1. **Utilisez uniquement les meules recommandées pour votre outil électrique et uniquement pour les applications recommandées. Par exemple : ne procédez pas au meulage avec le côté de la meule à tronçonner.** Les meules à tronçonner abrasives étant conçues pour le meulage périphérique, elles risquent de voler en éclats si on leur applique une force latérale.
2. **Évitez de « bloquer » la meule à tronçonner ou d'appliquer une pression excessive. N'essayez pas de couper trop profondément.** Une meule trop sollicitée subira une surcharge et risquera de se tordre ou de s'accrocher dans la ligne de coupe, ce qui comporte un risque de choc en retour ou de bris de la meule.
3. **Ne placez pas votre main dans l'alignement et derrière la meule rotative.** Lorsque la meule, en cours de fonctionnement, s'écarte de votre main, le choc en retour potentiel risque de propulser la meule en rotation et l'outil électrique dans votre direction.
4. **Lorsque la meule se coince, s'accroche ou lorsque vous interrompez la coupe pour une raison quelconque, mettez l'outil électrique hors tension et maintenez-le immobile jusqu'à ce que la meule cesse complètement de tourner. Ne tentez jamais de retirer la meule à tronçonner de la coupe pendant que la meule tourne, sous peine de provoquer un choc en retour.** Identifiez pourquoi la meule s'est coincée ou accrochée et prenez les mesures correctives pour y remédier.
5. **Ne reprenez pas la coupe telle quelle dans la pièce. Laissez la meule atteindre sa pleine vitesse, puis réintroduisez-la doucement dans la ligne de coupe.** Si vous redémarrez l'outil électrique alors qu'il se trouve encore dans la pièce à travailler, la meule risquera de se coincer, de remonter hors de la ligne de coupe ou de provoquer un choc en retour.
6. **Soutenez les panneaux ou les pièces de grande taille pour réduire les risques de coincement de la meule et de choc en retour.** Les pièces de grande taille ont tendance à ployer sous leur propre poids. Il est nécessaire de placer en dessous des cales à proximité de la ligne de coupe et près du rebord de la pièce de chaque côté de la meule.
7. **Redoublez de précaution lorsque vous faites une « coupe en plongée » dans un mur ou toute autre surface pouvant cacher des structures.** La meule, en dépassant derrière le mur ou la surface, peut couper des conduites de gaz ou d'eau, des fils électriques ou des objets pouvant causer un choc en retour.

#### **Consignes de sécurité spécifiques aux travaux de brossage métallique :**

1. **N'oubliez pas que des fils métalliques se détachent de la brosse même lors de travaux ordinaires. Ne soumettez pas les fils métalliques à une surcharge en appliquant une pression excessive sur la brosse.** Les fils métalliques pénètrent facilement dans les vêtements légers et/ou dans la peau.

2. Laissez les brosses tourner à leur vitesse de fonctionnement pendant au moins une minute avant de les utiliser. Pendant ce temps, personne ne doit se tenir devant ou dans l'alignement de la brosse. Les soies ou les fils desserrés seront déchargés pendant le rodage.
3. Dirigez la décharge de la brosse métallique en rotation loin de vous. De petites particules et de minuscules fragments de fil peuvent être déchargés à grande vitesse pendant l'utilisation de ces brosses et peuvent s'incruster dans votre peau.

#### Consignes de sécurité supplémentaires :

1. L'outil est conçu pour être utilisé avec des meules sur tige abrasives à agglomérant (pierre de meulage) montées en permanence sur un mandrin non fileté lisse (tiges).
2. Assurez-vous que la meule n'entre pas en contact avec la pièce avant de mettre l'outil sous tension.
3. Avant d'utiliser l'outil sur la pièce à travailler, faites-le tourner un instant à vide. Surveillez les vibrations ou le sautellement, qui peuvent indiquer que la meule n'est pas bien installée ou qu'elle est mal équilibrée.
4. Utilisez la face spécifiée de la meule pour meuler.
5. Prenez garde aux étincelles qui jaillissent. Tenez l'outil de sorte que les étincelles ne jaillissent pas vers vous, vers une autre personne présente ou vers un matériau inflammable.
6. N'abandonnez pas l'outil alors qu'il tourne. Ne faites fonctionner l'outil qu'une fois que vous l'avez bien en main.
7. Ne touchez jamais la pièce juste après l'exécution du travail ; elle peut être extrêmement chaude et risque de vous brûler.
8. Pour installer et utiliser correctement les meules, veuillez suivre les instructions du fabricant. Manipulez les meules avec soin et rangez-les en lieu sûr.
9. Assurez-vous que la pièce à travailler est correctement soutenue.
10. N'utilisez l'outil sur aucun matériau contenant de l'amiante.
11. Assurez-vous toujours d'avoir une bonne assise. Assurez-vous que personne ne se trouve dessous lorsque vous utilisez l'outil en position élevée.

## CONSERVEZ CES INSTRUCTIONS.

**⚠️ AVERTISSEMENT : NE vous laissez PAS tromper (au fil d'une utilisation répétée) par un sentiment d'aisance et de familiarité avec le produit, en négligeant le respect rigoureux des consignes de sécurité qui accompagnent le produit en question. La MAUVAISE UTILISATION de l'outil ou l'ignorance des consignes de sécurité indiquées dans ce mode d'emploi peut entraîner de graves blessures.**

## Consignes de sécurité importantes pour la batterie

1. Avant d'utiliser la batterie, lisez toutes les instructions et précautions relatives (1) au chargeur de batterie, (2) à la batterie, et (3) au produit utilisant la batterie.
2. Ne désassemblez pas et ne modifiez pas la batterie. Cela pourrait entraîner un incendie, une chaleur excessive ou une explosion.
3. Cessez immédiatement l'utilisation si le temps de fonctionnement devient excessivement court. Il y a risque de surchauffe, de brûlures, voire d'explosion.
4. Si l'électrolyte pénètre dans vos yeux, rincez-les à l'eau claire et consultez immédiatement un médecin. Il y a risque de perte de la vue.
5. Ne court-circuitez pas la batterie :
  - (1) Ne touchez pas les bornes avec aucun matériau conducteur.
  - (2) Évitez de ranger la batterie dans un conteneur avec d'autres objets métalliques, par exemple des clous, des pièces de monnaie, etc.
  - (3) N'exposez pas la batterie à l'eau ou à la pluie.
 Un court-circuit de la batterie peut provoquer une intensité de courant élevée, une surchauffe, parfois des brûlures et même une panne.
6. Ne rangez ni n'utilisez l'outil et la batterie dans un endroit où la température risque d'atteindre ou de dépasser 50 °C.
7. Ne jetez pas la batterie au feu même si elle est sérieusement endommagée ou complètement épuisée. La batterie peut exploser au contact du feu.
8. Abstenez-vous de clouer, couper, écraser, jeter, laisser tomber la batterie, ou de la heurter contre un objet dur. Cela pourrait entraîner un incendie, une chaleur excessive ou une explosion.
9. N'utilisez pas la batterie si elle est endommagée.
10. Les batteries au lithium-ion contenues sont soumises aux exigences de la législation sur les marchandises dangereuses. Lors du transport commercial par des tiers parties ou des transitaires par exemple, des exigences spécifiques en matière d'étiquetage et d'emballage doivent être respectées. Pour la préparation de l'article expédié, il est nécessaire de consulter un expert en matériau dangereux. Veuillez également respecter les réglementations nationales susceptibles d'être plus détaillées. Recouvrez les contacts exposés avec du ruban adhésif ou du ruban de masquage et emballez la batterie de telle sorte qu'elle ne puisse pas bouger dans l'emballage.
11. Lors de la mise au rebut de la batterie, retirez-la de l'outil et jetez-la en lieu sûr. Suivez les réglementations locales en matière de mise au

- rebut des batteries.
- Utilisez les batteries uniquement avec les produits spécifiés par Makita. L'insertion de batteries dans des produits non conformes peut provoquer un incendie, une chaleur excessive, une explosion ou une fuite de l'électrolyte.
  - Lorsque vous n'utilisez pas l'outil pendant une période prolongée, la batterie doit être retirée de l'outil.
  - Pendant et après l'utilisation, la batterie peut chauffer, ce qui peut entraîner des brûlures, y compris en cas de température relativement basse. Manipulez les batteries chaudes avec précaution.
  - Ne touchez pas la borne de l'outil immédiatement après utilisation car elle peut être assez chaude pour provoquer des brûlures.
  - Évitez que des copeaux, de la poussière ou du sol adhèrent aux bornes, aux trous et aux rainures de la batterie. Cela peut provoquer un échauffement, un incendie, une explosion ou un dysfonctionnement de l'outil ou de la batterie, ce qui peut entraîner des brûlures ou des blessures.
  - À moins que l'outil prenne en charge un tel usage, n'utilisez pas la batterie à proximité de lignes électriques haute tension. Cela pourrait entraîner un dysfonctionnement ou casser l'outil ou la batterie.
  - Conservez la batterie hors de portée des enfants.

## CONSERVEZ CES INSTRUCTIONS.

**ATTENTION :** N'utilisez que des batteries Makita d'origine. L'utilisation de batteries de marque autre que Makita ou de batteries modifiées peut provoquer l'explosion des batteries, ce qui présente un risque d'incendie, de dommages matériels et corporels. Cela annulera également la garantie Makita pour l'outil et le chargeur Makita.

**REMARQUE :** Makita n'est pas responsable des accidents résultant de l'utilisation de batteries autres que Makita ou de batteries modifiées. Les batteries Makita ont été rigoureusement évaluées pour s'assurer de leur compatibilité avec les outils et chargeurs Makita, conformément à la législation et aux normes de sécurité applicables.

## Conseils pour assurer la durée de vie optimale de la batterie

- Chargez la batterie avant qu'elle ne soit complètement déchargée. Arrêtez toujours l'outil et rechargez la batterie quand vous remarquez que la puissance de l'outil diminue.
- Ne rechargez jamais une batterie complètement chargée. La surcharge réduit la durée de service de la batterie.
- Chargez la batterie à une température ambiante comprise entre 10 °C et 40 °C. Avant de charger une batterie chaude, laissez-la refroidir.

- Lorsque vous n'utilisez pas la batterie, retirez-la de l'outil ou du chargeur.
- Rechargez la batterie si elle est restée inutilisée pendant une période prolongée (plus de six mois).

## DESCRIPTION DU FONCTIONNEMENT

**AVERTISSEMENT :** Assurez-vous toujours que l'outil est hors tension et que sa batterie est retirée avant de l'ajuster ou de vérifier son fonctionnement.

### Insertion ou retrait de la batterie

**ATTENTION :** Éteignez toujours l'outil avant de mettre en place ou de retirer la batterie.

**ATTENTION :** Tenez fermement l'outil et la batterie lors de la mise en place ou du retrait de la batterie. Si vous ne tenez pas fermement l'outil et la batterie, ils peuvent vous glisser des mains, et s'abîmer ou vous blesser.

Pour mettre la batterie en place, alignez la languette de la batterie avec la rainure du compartiment puis insérez la batterie. Insérez-la entièrement jusqu'à entendre un léger dé clic indiquant qu'elle est bien en place. Si vous pouvez voir l'indicateur rouge comme illustré sur la figure, c'est qu'elle n'est pas bien verrouillée.

Pour retirer la batterie, faites-la glisser hors de l'outil tout en faisant glisser le bouton à l'avant de la batterie.

► Fig.1: 1. Indicateur rouge 2. Bouton 3. Batterie










**ATTENTION :** Insérez toujours complètement la batterie jusqu'à ce que l'indicateur rouge ne soit plus visible. Sinon, elle pourrait tomber accidentellement de l'outil, au risque de vous blesser ou de blesser quelqu'un se trouvant près de vous.

**ATTENTION :** N'insérez pas la batterie de force. Si elle ne glisse pas facilement, c'est que vous ne l'insérez pas correctement.

### Indication de la charge restante de la batterie

Appuyez sur le bouton de vérification sur la batterie pour indiquer la charge restante de la batterie. Les témoins s'allument pendant quelques secondes.

► Fig.2: 1. Témoins 2. Bouton de vérification

Témoins			Charge restante
Allumé	Éteint	Clignotant	
			75 % à 100 %
			
			50 % à 75 %

Témoins			Charge restante
Allumé	Éteint	Clignotant	
			25 % à 50 %
			0 % à 25 %
			Chargez la batterie.
			Anomalie possible de la batterie.

**NOTE :** Selon les conditions d'utilisation et la température ambiante, l'indication peut être légèrement différente de la capacité réelle.

**NOTE :** Le premier témoin (complètement à gauche) clignotera pendant le fonctionnement du système de protection de la batterie.

## Système de protection de l'outil/la batterie

L'outil est équipé d'un système de protection de l'outil/la batterie. Ce système coupe automatiquement l'alimentation vers le moteur pour prolonger la durée de vie de l'outil et de la batterie. Si l'outil ou la batterie se trouve dans l'une des situations suivantes, l'outil cessera automatiquement de fonctionner.

### Protection contre la surcharge

Lorsque l'outil ou la batterie est utilisé d'une manière provoquant un appel de courant anormalement élevé, l'outil s'arrête automatiquement sans indication. Dans ce cas, éteignez l'outil et arrêtez la tâche ayant provoqué la surcharge de l'outil. Puis rallumez l'outil pour reprendre la tâche.

### Protection contre la surchauffe

En cas de surchauffe de l'outil ou de la batterie, l'outil s'arrête automatiquement et la lampe clignote. Laissez l'outil refroidir avant de le rallumer.

### Protection contre la décharge totale de la batterie

Lorsque la charge de la batterie est insuffisante, l'outil s'arrête automatiquement. Dans ce cas, retirez la batterie de l'outil et chargez-la.

### Déverrouillage de la protection

Lorsque le système de protection fonctionne à plusieurs reprises, l'outil est verrouillé.

Dans ce cas, l'outil ne démarre pas même si vous l'éteignez, puis l'allumez. Pour déverrouiller la protection, retirez la batterie, placez-la sur le chargeur de batterie et patientez jusqu'à ce que la charge soit terminée.

## Protections contre d'autres causes

Le système de protection est également conçu pour d'autres causes qui pourraient endommager l'outil et lui permet de s'arrêter automatiquement. Suivez toutes les étapes ci-dessous pour éliminer les causes, lorsque l'outil a été arrêté provisoirement ou a cessé de fonctionner.

1. Assurez-vous que tous les interrupteurs sont sur la position d'arrêt, puis remettez l'outil sous tension pour le redémarrer.
2. Chargez la ou les batteries ou remplacez-les par des batteries rechargées.
3. Laissez l'outil et la ou les batteries refroidir.

En l'absence d'amélioration après avoir rétabli le système de protection, contactez votre centre de service Makita local.

## Verrouillage de l'arbre

**⚠ AVERTISSEMENT :** N'activez jamais le verrouillage de l'arbre pendant que l'axe tourne. Cela pourrait entraîner des blessures graves ou endommager l'outil.

**⚠ AVERTISSEMENT :** Assurez-vous que le verrouillage de l'arbre revient complètement à sa position d'origine après l'avoir relâché.

Avant de poser ou de retirer des accessoires, appuyez sur le verrouillage de l'arbre pour empêcher l'axe de tourner.

► **Fig.3:** 1. Verrouillage de l'arbre

## Interrupteur

Uniquement pour le modèle GD001G

**⚠ ATTENTION :** Avant d'insérer la batterie dans l'outil, vérifiez toujours que l'interrupteur à glissière fonctionne correctement et revient sur la position « Arrêt » lorsque vous enfoncez l'arrière de l'interrupteur à glissière.

**⚠ ATTENTION :** L'interrupteur peut être verrouillé sur la position « Marche » pour améliorer le confort de l'utilisateur pendant une utilisation prolongée. Soyez prudent lorsque vous verrouillez l'outil sur la position « Marche » et tenez-le fermement.

Pour démarrer l'outil, faites glisser l'interrupteur à glissière sur la position « I (Marche) ». Pour un fonctionnement continu, enfoncez l'avant de l'interrupteur à glissière pour le verrouiller.

Pour arrêter l'outil, enfoncez la partie arrière de l'interrupteur à glissière, puis poussez-le sur la position « O (Arrêt) ».

► **Fig.4:** 1. Interrupteur à glissière

**⚠ ATTENTION :** Avant d'insérer la batterie dans l'outil, vérifiez toujours que la gâchette allongée fonctionne correctement et revient en position d'arrêt une fois relâchée.

**⚠ ATTENTION :** Pour votre sécurité, cet outil est équipé d'un levier de sécurité qui empêche son démarrage intempestif. N'utilisez JAMAIS l'outil s'il se met en marche lorsque vous enclenchez simplement la gâchette allongée sans avoir enfoncé le levier de sécurité. Rapportez l'outil à notre centre de service après-vente agréé pour le faire réparer AVANT toute utilisation.

**⚠ ATTENTION :** Évitez d'appuyer sur la gâchette allongée avec force lorsque le levier de sécurité n'est pas enfoncé. Vous risqueriez de briser la gâchette.

**⚠ ATTENTION :** Ne scotchez JAMAIS le levier de sécurité ni n'ignorez son objectif et sa fonction.

Un levier de sécurité est fourni pour prévenir l'activation accidentelle de la gâchette allongée.

Pour démarrer l'outil, enfoncez le levier de sécurité puis appuyez sur la gâchette allongée.

Pour arrêter l'outil, relâchez la gâchette allongée.

► Fig.5: 1. Levier de sécurité 2. Gâchette allongée

## Molette de réglage de la vitesse

Il est possible de modifier la vitesse de rotation de l'outil en faisant tourner la molette de réglage de la vitesse.

Le tableau ci-dessous affiche les numéros de la molette et les vitesses de rotation correspondantes.

► Fig.6: 1. Molette de réglage de la vitesse

Numéro	Vitesse
1	7 000 min <sup>-1</sup>
2	12 500 min <sup>-1</sup>
3	18 000 min <sup>-1</sup>
4	23 500 min <sup>-1</sup>
5	29 000 min <sup>-1</sup>

**REMARQUE :** L'utilisation constante de l'outil à une vitesse basse pendant un long moment entraîne une surcharge du moteur, ce qui entraîne un dysfonctionnement de l'outil.

**REMARQUE :** Le cadran de réglage de la vitesse ne peut pas être tourné plus haut que 5 ou plus bas que 1. N'essayez pas de le placer au-delà de 5 ou en dessous de 1, sinon la fonction de réglage de la vitesse risque de ne plus fonctionner.

## Allumage de la lampe avant

**⚠ ATTENTION :** Évitez de regarder directement le faisceau lumineux ou sa source.

La lampe avant s'allume pendant 10 secondes après l'installation de la batterie ou reste allumée lorsque l'interrupteur est sur Marche.

La lampe s'éteint 10 secondes après que l'interrupteur est sur Arrêt.

► Fig.7: 1. Lampe avant

## Désactivation ou activation du statut des témoins

Pour désactiver ou activer le statut des témoins, procédez comme indiqué ci-dessous.

1. Insérez la batterie dans l'outil.
2. Placez la molette de réglage de la vitesse sur « 5 ».
3. Tournez la molette de réglage de la vitesse sur « 1 », puis réglez-la sur « 5 ».

**NOTE :** Il est possible de désactiver ou d'activer le statut des témoins dans les 10 secondes environ après avoir inséré la batterie. Une fois l'interrupteur sur Marche, le statut des témoins ne peut pas être modifié, même dans les 10 secondes suivant l'insertion de la batterie.

**NOTE :** Le statut des témoins peut également être modifié en réglant la molette de réglage de la vitesse sur « 1 » - « 5 » - « 1 ».

**NOTE :** Pour régler à nouveau le statut des témoins, retirez d'abord la batterie, puis réglez la molette de réglage de la vitesse.

**NOTE :** Le statut des témoins sera identique à celui de la dernière utilisation de l'outil.

## Fonction de prévention de redémarrage accidentel

Lorsque vous insérez la batterie alors que l'interrupteur est sur la position de marche, l'outil ne démarre pas. Pour démarrer l'outil, placez l'interrupteur sur OFF et puis à nouveau sur ON.

## Technologie de détection de réaction active

L'outil détecte électroniquement des situations où la meule ou l'accessoire peuvent être exposés à un risque de pincement. Dans ce cas, l'outil est automatiquement éteint pour empêcher la rotation de l'axe (le choc en retour n'est pas empêché).

Pour redémarrer l'outil, commencez par l'éteindre, éliminez la cause de la baisse soudaine de la vitesse de rotation, puis allumez l'outil.

## Fonction de démarrage en douceur

La fonction de démarrage en douceur réduit le choc de démarrage.

## Contrôle de vitesse constante

Permet d'obtenir une finition précise puisque la vitesse de rotation est maintenue constante même en condition de charge.

## Frein électrique

Le frein électrique est activé une fois l'outil éteint. Le frein ne fonctionne pas si l'alimentation est coupée (en cas de retrait accidentel de la batterie, par exemple), alors que la gâchette est toujours enclenchée.

## ASSEMBLAGE

**⚠ ATTENTION :** Assurez-vous toujours que l'outil est hors tension et que sa batterie est retirée avant d'effectuer toute tâche dessus.

### Pose ou dépose de l'accessoire

**⚠ ATTENTION :** Utilisez un cône de mandrin dont la taille correspond à celle de l'accessoire que vous prévoyez d'utiliser.

**REMARQUE :** Ne serrez pas l'écrou de mandrin sans insérer d'accessoire. Le cône de mandrin risquerait de se rompre.

## Utilisation du verrouillage de l'arbre

Appuyez fermement sur le verrouillage de l'arbre pour empêcher l'axe de tourner. Desserrez l'écrou de mandrin dans le sens inverse des aiguilles d'une montre et insérez l'accessoire à l'intérieur. Serrez l'écrou du mandrin dans le sens des aiguilles d'une montre au moyen de la clé.

► **Fig.8:** 1. Verrouillage de l'arbre 2. Clé 3. Accessoire 4. Écrou de mandrin

## Utilisation de deux clés

Desserrez l'écrou de mandrin dans le sens inverse des aiguilles d'une montre et insérez l'accessoire à l'intérieur. Utilisez une clé pour tenir l'axe. En utilisant une autre clé, tournez l'écrou de mandrin dans le sens des aiguilles d'une montre pour serrer solidement.

► **Fig.9:** 1. Clé 2. Accessoire 3. Écrou de mandrin

**NOTE :** Si vous ne parvenez pas à insérer l'accessoire dans l'écrou de mandrin après l'avoir desserré, il se peut que le cône de mandrin bloque l'accessoire. Dans ce cas, retirez l'écrou de mandrin et repositionnez le cône de mandrin.

L'accessoire ne doit pas être monté à plus de 10 mm de l'écrou de mandrin. Si vous dépassez cette distance, vous risquez de provoquer des vibrations ou de rompre l'arbre.

► **Fig.10**

## Changement du cône de mandrin

1. Desserrez l'écrou de mandrin et retirez-le.
2. Remplacez le cône de mandrin installé par le cône de mandrin souhaité.

3. Remettez en place l'écrou de mandrin.

► **Fig.11:** 1. Écrou de mandrin 2. Cône de mandrin

Si le cône de mandrin ne peut pas être retiré, pincez-le avec une pince à long bec pour le retirer.

Pour éviter la déformation du cône de mandrin, n'exercez pas une force excessive lorsque vous le pincez.

► **Fig.12:** 1. Cône de mandrin

## UTILISATION

**⚠ ATTENTION :** N'exercez qu'une pression légère sur l'outil. Si vous appuyez trop, vous aurez une finition défectueuse et une surcharge du moteur.

**⚠ ATTENTION :** L'accessoire continue à tourner quand l'outil est éteint.

**⚠ ATTENTION :** Tenez l'outil solidement à deux mains.

**⚠ ATTENTION :** Lorsque vous utilisez des accessoires vendus dans le commerce, assurez-vous toujours que leur vitesse nominale soit au moins égale à la vitesse maximale indiquée sur l'outil.

Allumez l'outil sans que l'accessoire touche la pièce à traiter et attendez que l'accessoire atteigne sa pleine vitesse. Appliquez alors doucement l'accessoire sur la pièce.

► **Fig.13**

**NOTE :** Si vous effectuez un meulage latéral, déplacer lentement l'outil vers la gauche permet d'obtenir une bonne finition.

## ENTRETIEN

**⚠ ATTENTION :** Assurez-vous toujours que l'outil est hors tension et que la batterie est retirée avant d'effectuer tout travail d'inspection ou d'entretien.

**REMARQUE :** N'utilisez jamais d'essence, benzine, diluant, alcool ou autre produit similaire. Cela risquerait de provoquer la décoloration, la déformation ou la fissuration de l'outil.

Pour assurer la SÉCURITÉ et la FIABILITÉ du produit, toute réparation, tout travail d'entretien ou de réglage doivent être effectués par un centre d'entretien Makita agréé, avec des pièces de rechange Makita.

## Affûtage de la meule sur tige

Lorsque la meule sur tige se trouve encrassée de diverses particules et poussières, il faut l'affûter à l'aide de la pierre d'affûtage.

## Nettoyage des orifices d'aération

L'outil et ses orifices d'aération doivent être conservés propres. Nettoyez régulièrement les orifices d'aération de l'outil ou dès qu'ils sont obstrués.

► **Fig.14:** 1. Orifice de sortie d'air 2. Orifice d'entrée d'air

Retirez le pare-poussière de l'orifice d'entrée d'air et nettoyez-le pour faciliter la circulation de l'air.

► **Fig.15:** 1. Pare-poussière

**REMARQUE :** Nettoyez bien le pare-poussière s'il est bouché par de la poussière ou des corps étrangers. Si vous continuez à utiliser l'outil alors que le pare-poussière est bouché, vous risquez d'endommager l'outil.

## ACCESSOIRES EN OPTION

**⚠ ATTENTION :** Ces accessoires ou pièces complémentaires sont recommandés pour l'utilisation avec l'outil Makita spécifié dans ce mode d'emploi. L'utilisation de tout autre accessoire ou pièce complémentaire peut comporter un risque de blessure. N'utilisez les accessoires ou pièces complémentaires qu'aux fins auxquelles ils ont été conçus.

Pour obtenir plus de détails sur ces accessoires, contactez votre centre d'entretien local Makita.

- Meules sur tige
- Cône de mandrin (3 mm, 6 mm, 8 mm, 1/4", 1/8")
- Écrou de mandrin
- Clé 13
- Batterie et chargeur Makita d'origine

**NOTE :** Il se peut que certains éléments de la liste soient compris dans l'emballage de l'outil en tant qu'accessoires standard. Ils peuvent varier d'un pays à l'autre.

## TECHNISCHE DATEN

Modell:		GD001G	GD002G
Spannzangengröße (länderspezifisch)		6 mm oder 6,35 mm (1/4")	
Max. Zubehörgröße	Max. Schleifspitzendurchmesser ■ ■ ■ ■ ■	32 mm	
	Max. Schmirgelscheibendurchmesser	52 mm	
	Max. Drahtbürstendurchmesser	52 mm	
	Max. Polierscheibendurchmesser	52 mm	
	Max. Schnitzzubehördurchmesser	52 mm	
	Max. Trennscheibendurchmesser	52 mm	
	Max. Spindel-(Schaft)-länge	46 mm	
Nenn Drehzahl (n)/Leerlaufdrehzahl (n <sub>0</sub> )		7.000 - 29.000 min <sup>-1</sup>	
Gesamtlänge	mit BL4040	458 mm	
Nettogewicht		2,2 - 3,4 kg	
Nennspannung		36 V - 40 V Gleichstrom	

- Wir behalten uns vor, Änderungen der technischen Daten im Zuge der Entwicklung und des technischen Fortschritts ohne vorherige Ankündigung vorzunehmen.
- Die technischen Daten können von Land zu Land unterschiedlich sein.
- Der Nettogewichtswert beinhaltet die leichteste und schwerste Kombination des Ausatzes (der Aufsätze) und des (der) Akkus, der (die) in der Betriebsanleitung angegeben ist (sind).

### Zutreffende Akkus und Ladegeräte

Akku	BL4020* / BL4025* / BL4040* / BL4040F* / BL4050F* / BL4080F* * : Empfohlener Akku
Ladegerät	DC40RA / DC40RB / DC40RC / DC40WA / BCC01 / BCC02

- Einige der oben aufgelisteten Akkus und Ladegeräte sind je nach Ihrem Wohngebiet eventuell nicht erhältlich.

**⚠️ WARNUNG:** Verwenden Sie nur die oben aufgeführten Akkus und Ladegeräte. Bei Verwendung irgendwelcher anderer Akkus und Ladegeräte besteht Verletzungs- und/oder Brandgefahr.

### Zutreffende kabelgebundene Stromquelle

Rückentragbare Akku-Bank	PDC01 / PDC1200 / PDC1500
--------------------------	---------------------------

- Die oben aufgelisteten kabelgebundenen Stromquellen sind je nach Ihrem Wohngebiet eventuell nicht erhältlich.
- Lesen Sie vor Gebrauch der kabelgebundenen Stromquelle die daran angebrachten Anweisungen und Warnmarkierungen durch.

### Vorgesehene Verwendung

Das Werkzeug ist zum Schleifen von Eisenwerkstoffen oder zum Entgraten von Gussstücken sowie zum Schmirgeln, Drahtbürsten, Polieren, Schnitzen und Trennen vorgesehen.

### Geräusch

Typischer A-bewerteter Geräuschpegel ermittelt gemäß EN60745-2-23:

#### Modell GD001G

Arbeitsmodus	Schalldruckpegel (L <sub>pA</sub> ):	Schalleis- tungspegel (L <sub>WA</sub> ):	Messunsicherheit (K):
Keine Last (Kunstrad 25-50 mm)	78 dB (A)	-	3 dB (A)
Keine Last (Kunstrad über 50 mm)	80 dB(A)	91 dB (A)	3 dB(A)

## Modell GD002G

Arbeitsmodus	Schalldruckpegel ( $L_{pA}$ ):	Schallemissionspegel ( $L_{WA}$ ):	Messunsicherheit (K):
Keine Last (Kunstrad 25-50 mm)	78 dB(A)	-	3 dB(A)
Keine Last (Kunstrad über 50 mm)	80 dB(A)	91 dB(A)	3 dB(A)

Der Geräuschpegel kann während des Betriebs 80 dB (A) überschreiten.

**HINWEIS:** Der (Die) angegebene(n) Schallemissionswert(e) wurde(n) im Einklang mit der Standardprüfmethode gemessen und kann (können) für den Vergleich zwischen Werkzeugen herangezogen werden.

**HINWEIS:** Der (Die) angegebene(n) Schallemissionswert(e) kann (können) auch für eine vorläufige Bewertung der Geräuschbelastung verwendet werden.

**⚠️ WARNUNG:** Einen Gehörschutz tragen.

**⚠️ WARNUNG:** Die Schallemission beim tatsächlichen Benutzen des Elektrowerkzeugs kann je nach der Art und Weise, wie dieses Werkzeug benutzt wird, von dem (den) angegebenen Gesamtwert(en) abweichen.

**⚠️ WARNUNG:** Identifizieren Sie Sicherheitsmaßnahmen zum Schutz des Benutzers anhand einer Schätzung des Gefährdungsgrads unter den tatsächlichen Benutzungsbedingungen (unter Berücksichtigung aller Phasen des Arbeitszyklus, wie z. B. Ausschalt- und Leerlaufzeiten des Werkzeugs zusätzlich zur Betriebszeit).

## Schwingungen

Der kontinuierliche Schwingungsgesamtwert (Drei-Achsen-Vektorsumme), ermittelt gemäß EN60745-2-23:

### Modell GD001G

Arbeitsmodus	Schwingungsemission ( $a_h$ ):	Messunsicherheit (K):
Oberflächenschleifen (Kunstrad 25-50 mm)	5,4 m/s <sup>2</sup>	1,5 m/s <sup>2</sup>
Oberflächenschleifen (Kunstrad über 50 mm)	15,2 m/s <sup>2</sup>	1,5 m/s <sup>2</sup>

### Modell GD002G

Arbeitsmodus	Schwingungsemission ( $a_h$ ):	Messunsicherheit (K):
Oberflächenschleifen (Kunstrad 25-50 mm)	5,7 m/s <sup>2</sup>	1,5 m/s <sup>2</sup>
Oberflächenschleifen (Kunstrad über 50 mm)	14,6 m/s <sup>2</sup>	1,5 m/s <sup>2</sup>

**HINWEIS:** Der (Die) angegebene(n) Vibrationsgesamtwert(e) wurde(n) im Einklang mit der Standardprüfmethode gemessen und kann (können) für den Vergleich zwischen Werkzeugen herangezogen werden.

**HINWEIS:** Der (Die) angegebene(n) Schwingungsgesamtwert(e) kann (können) auch für eine Vorbewertung des Gefährdungsgrads verwendet werden.

**⚠️ WARNUNG:** Die Schwingungsemission während der tatsächlichen Benutzung des Elektrowerkzeugs kann je nach der Benutzungsweise des Werkzeugs von dem (den) angegebenen Gesamtwert(en) abweichen.

**⚠️ WARNUNG:** Identifizieren Sie Sicherheitsmaßnahmen zum Schutz des Benutzers anhand einer Schätzung des Gefährdungsgrads unter den tatsächlichen Benutzungsbedingungen (unter Berücksichtigung aller Phasen des Arbeitszyklus, wie z. B. Ausschalt- und Leerlaufzeiten des Werkzeugs zusätzlich zur Betriebszeit).

## Konformitätserklärungen

### Nur für europäische Länder

Die Konformitätserklärungen sind in Anhang A dieser Betriebsanleitung enthalten.

## SICHERHEITSWARNUNGEN

### Allgemeine Sicherheitswarnungen für Elektrowerkzeuge

**⚠️ WARNUNG** Lesen Sie alle Sicherheitshinweise, Anweisungen, Abbildungen und Spezifikationen, die diesem Elektrowerkzeug beiliegen. Eine Missachtung der unten aufgeführten Anweisungen kann zu einem elektrischen Schlag, Brand und/oder schweren Verletzungen führen.

### Bewahren Sie alle Warnungen und Anweisungen für spätere Bezugnahme auf.

Der Ausdruck „Elektrowerkzeug“ in den Warnhinweisen bezieht sich auf Ihr mit Netzstrom (mit Kabel) oder Akku (ohne Kabel) betriebenes Elektrowerkzeug.

### Sicherheitswarnungen für Akku-Geradschleifer

**Allgemeine Sicherheitswarnungen für Schleif-, Schmirgel-, Drahtbürsten-, Polier-, Schnitz- oder Trennschleifbetrieb:**

1. Dieses Elektrowerkzeug ist zum Schleifen, Schmirgeln, Drahtbürsten, Polieren, Schnitzen oder Trennen vorgesehen. Lesen

- Sie alle mit diesem Elektrowerkzeug gelieferten Sicherheitswarnungen, Anweisungen, Abbildungen und technischen Daten durch.** Eine Missachtung der unten aufgeführten Anweisungen kann zu einem elektrischen Schlag, Brand und/oder schweren Verletzungen führen.
2. **Verwenden Sie kein Zubehör, das nicht speziell vom Werkzeughersteller vorgesehen ist und empfohlen wird.** Die bloße Tatsache, dass ein Zubehörteil an Ihrem Elektrowerkzeug angebracht werden kann, gewährleistet noch keinen sicheren Betrieb.
  3. **Die Nenndrehzahl der Schleifzubehöerteile muss mindestens der am Elektrowerkzeug angegebenen Maximaldrehzahl entsprechen.** Schleifzubehöerteile, die schneller als ihre Nenndrehzahl rotieren, können bersten und auseinander fliegen.
  4. **Außendurchmesser und Dicke des Zubehöerteils müssen innerhalb der Kapazitätsgrenzen Ihres Elektrowerkzeugs liegen.** Zubehöerteile der falschen Größe können nicht angemessen kontrolliert werden.
  5. **Die Wellengröße von Schleifscheiben, Schmirgelwalzen oder anderen Zubehöerteilen muss genau auf die Spindel oder Spannzange des Elektrowerkzeugs passen.** Zubehöerteile, die nicht genau auf die Befestigungselemente des Elektrowerkzeugs passen, laufen unrund, vibrieren übermäßig und können einen Verlust der Kontrolle verursachen.
  6. **Spindelmontierte Schleifscheiben, Schmirgelwalzen, Schneider oder andere Zubehöerteile müssen vollständig in die Spannzange oder das Spannfutter eingeführt werden.** Falls die Spindel nicht sicher genug gehalten wird und/oder der Überhang der Schleifscheibe zu lang ist, kann sich die montierte Schleifscheibe lockern und mit hoher Geschwindigkeit weggeschleudert werden.
  7. **Verwenden Sie keine beschädigten Zubehöerteile. Überprüfen Sie die Zubehöerteile vor jedem Gebrauch: z. B. Schleifscheiben auf Absplitterungen und Risse, Schmirgelwalzen auf Risse, Brüche oder übermäßigen Verschleiß, Drahtbürsten auf lose oder risige Drähte.** Falls das Elektrowerkzeug oder das Zubehörteil herunterfällt, überprüfen Sie es auf Beschädigung, oder montieren Sie ein unbeschädigtes Zubehörteil. Achten Sie nach der Überprüfung und Installation eines Zubehöerteils darauf, dass Sie selbst und Umstehende nicht in der Rotationsebene des Zubehöerteils stehen, und lassen Sie das Elektrowerkzeug eine Minute lang mit maximaler Leerlaufdrehzahl laufen. Ein beschädigtes Zubehörteil bricht normalerweise während dieses Probelaufs auseinander.
  8. **Tragen Sie persönliche Schutzausrüstung. Benutzen Sie je nach der Arbeit einen Gesichtsschutz bzw. eine Sicherheits- oder Schutzbrille. Tragen Sie bei Bedarf eine Staubmaske, Ohrschützer, Handschuhe und eine Arbeitsschürze, die in der Lage ist, kleine Schleifpartikel oder Werkstücksplitter abzuwehren.** Der Augenschutz muss in der Lage sein, den bei verschiedenen Arbeiten anfallenden Flugstaub abzuwehren. Die Staubmaske oder Atemschutzmaske muss in der Lage sein, durch die Arbeit erzeugte Partikel herauszufiltern. Lang anhaltende Lärmbelastung kann zu Gehörschäden führen.
  9. **Halten Sie Umstehende in sicherem Abstand vom Arbeitsbereich. Jeder, der den Arbeitsbereich betritt, muss persönliche Schutzausrüstung tragen.** Bruchstücke des Werkstücks oder eines beschädigten Zubehöerteils können weggeschleudert werden und Verletzungen über den unmittelbaren Arbeitsbereich hinaus verursachen.
  10. **Halten Sie das Elektrowerkzeug nur an den isolierten Griffflächen, wenn Sie Arbeiten ausführen, bei denen die Gefahr besteht, dass das Schneidzubehör verborgene Kabel kontaktiert.** Wenn das Schneidzubehör ein Stromführendes Kabel kontaktiert, können die freiliegenden Metallteile des Elektrowerkzeugs ebenfalls Stromführend werden, so dass der Benutzer einen elektrischen Schlag erleiden kann.
  11. **Halten Sie das Werkzeug während des Anlaufs immer mit beiden Händen fest.** Während der Motor auf volle Drehzahl beschleunigt, kann das Reaktionsdrehmoment eine Verdrehung des Werkzeugs verursachen.
  12. **Stützen Sie das Werkstück mit Klemmen ab, wenn dies durchführbar ist. Halten Sie während des Betriebs niemals ein kleines Werkstück in der einen, und das Werkzeug in der anderen Hand.** Spannen Sie kleine Werkstücke ein, damit Sie das Werkzeug mit beiden Händen unter Kontrolle halten können. Rundmaterial, wie z. B. Dübelstangen, Leitungen oder Rohre, neigt beim Schneiden zum Rollen, was dazu führen kann, dass der Einsatz klemmt oder auf den Bediener zu springt.
  13. **Legen Sie das Elektrowerkzeug erst ab, nachdem das Zubehörteil zum vollständigen Stillstand gekommen ist.** Anderenfalls kann das rotierende Zubehörteil die Oberfläche erfassen und das Elektrowerkzeug aus Ihren Händen reißen.
  14. **Nachdem Sie den Einsatz gewechselt oder Einstellungen vorgenommen haben, sollten Sie sich vergewissern, dass die Spannzangenmutter, das Spannfutter oder andere Einstellvorrichtungen einwandfrei festgezogen sind.** Lockere Einstellvorrichtungen können unerwartet verrutschen, was zum Verlust der Kontrolle führen kann, und lockere rotierende Komponenten können heftig weggeschleudert werden.
  15. **Lassen Sie das Elektrowerkzeug nicht laufen, während Sie es an Ihrer Seite tragen.** Das rotierende Zubehörteil könnte sonst bei versehentlichem Kontakt Ihre Kleidung erfassen und auf Ihren Körper zu gezogen werden.
  16. **Reinigen Sie die Ventilationsöffnungen des Elektrowerkzeugs regelmäßig.** Der Lüfter des Motors saugt Staub in das Gehäuse an, und starke Ablagerungen von Metallstaub können elektrische Gefahren verursachen.

17. **Betreiben Sie das Elektrowerkzeug nicht in der Nähe von brennbaren Materialien.** Funken könnten diese Materialien entzünden.
18. **Verwenden Sie keine Zubehöreile, die Kühlflüssigkeiten erfordern.** Die Verwendung von Wasser oder anderen Kühlflüssigkeiten kann zu einem Stromschlag führen.

#### **Warnungen vor Rückschlag und damit zusammenhängenden Gefahren**

Ein Rückschlag ist eine plötzliche Reaktion auf Klemmen oder Hängenbleiben der Schleifscheibe, des Schleifbands, der Drahtbürste oder eines anderen Zubehörteils. Klemmen oder Hängenbleiben verursacht ruckartiges Stocken des rotierenden Zubehörteils, was wiederum dazu führt, dass das außer Kontrolle geratene Elektrowerkzeug am Stockpunkt in die entgegengesetzte Richtung der Zubehördrehung geschleudert wird.

Wenn beispielsweise eine Schleifscheibe vom Werkstück erfasst oder eingeklemmt wird, kann sich die in den Klemmpunkt eindringende Schleifscheibenkante in die Materialoberfläche bohren, so dass sie herauspringt oder zurückschlägt. Je nach der Drehrichtung der Schleifscheibe am Klemmpunkt kann die Schleifscheibe auf die Bedienungsperson zu oder von ihr weg springen. Schleifscheiben können unter solchen Bedingungen auch brechen.

Rückschlag ist das Resultat falscher Handhabung des Elektrowerkzeugs und/oder falscher Arbeitsverfahren oder -bedingungen und kann durch Anwendung der nachstehenden Vorsichtsmaßnahmen vermieden werden.

1. **Halten Sie das Elektrowerkzeug mit festem Griff, und positionieren Sie Ihren Körper und Arm so, dass Sie die Rückschlagkräfte auffangen können.** Rückstoßkräfte können kontrolliert werden, wenn entsprechende Vorkehrungen getroffen werden.
2. **Lassen Sie beim Bearbeiten von Ecken und scharfen Kanten usw. besondere Vorsicht walten.** Ecken, scharfe Kanten oder Anstoßen führen leicht zu Hängenbleiben des rotierenden Zubehörteils und verursachen Verlust der Kontrolle oder Rückschlag.
3. **Montieren Sie keine gezahnten Sägeblätter.** Solche Zubehöreile verursachen häufige Rückschläge und Verlust der Kontrolle.
4. **Schieben Sie den Einsatz immer in derselben Richtung in das Material vor, da die Schneidkante aus dem Material austritt (in Flugrichtung der Späne).** Wird das Werkzeug in der falschen Richtung vorgeschoben, klettert die Schneidkante des Einsatzes aus dem Werkstück heraus und zieht das Werkzeug in die Richtung dieses Vorschubs.
5. **Wenn Sie Drehfeilen, Trennscheiben, Hochgeschwindigkeitsfräser oder Hartmetallfräser benutzen, müssen Sie das Werkstück immer sicher einspannen.** Diese Scheiben greifen, falls sie in der Rille leicht verkantet werden, und können zurückschlagen. Wenn eine Trennscheibe greift, bricht in der Regel die Scheibe selbst. Wenn eine Drehfeile, ein Hochgeschwindigkeitsfräser oder ein Hartmetallfräser greift, kann sie oder er aus der Rille springen und Sie könnten die Kontrolle über

dieses Werkzeug verlieren.

#### **Sicherheitswarnungen speziell für Schleif- und Trennschleifbetrieb:**

1. **Verwenden Sie nur Schleifscheibenarten, die für Ihr Elektrowerkzeug empfohlen werden, und nur für die empfohlenen Anwendungen. Zum Beispiel: Nicht mit der Seite einer Trennscheibe schleifen.** Trennschleifscheiben sind für Peripherieschleifen vorgesehen. Falls seitliche Kräfte auf diese Scheiben einwirken, können sie zerbrechen.
2. **Vermeiden Sie „Verkanten“ einer Trennscheibe oder die Ausübung übermäßigen Drucks. Versuchen Sie nicht, übermäßig tiefe Schnitte zu machen.** Überbeanspruchung der Schleifscheibe erhöht die Belastung und die Empfänglichkeit für Verdrehen oder Klemmen der Schleifscheibe im Schnitt sowie die Möglichkeit von Rückschlag oder Scheibenbruch.
3. **Halten Sie Ihre Hand nicht so, dass sie sich in einer Linie mit der rotierenden Schleifscheibe oder hinter dieser befindet.** Wenn sich die Schleifscheibe am Arbeitspunkt von Ihrer Hand weg bewegt, kann ein möglicher Rückschlag die rotierende Schleifscheibe und das Elektrowerkzeug direkt auf Sie zu schleudern.
4. **Falls die Schleifscheibe klemmt oder der Schnitt aus irgendeinem Grund unterbrochen wird, schalten Sie das Elektrowerkzeug aus und halten Sie es bewegungslos im Werkstück, bis die Schleifscheibe zum völligen Stillstand kommt. Versuchen Sie auf keinen Fall, die rotierende Trennscheibe aus dem Schnitt zu entfernen, weil sonst ein Rückschlag auftreten kann.** Nehmen Sie eine Überprüfung vor, und treffen Sie Abhilfemaßnahmen, um die Ursache von Klemmen oder Hängenbleiben der Trennscheibe zu beseitigen.
5. **Setzen Sie den Schnittbetrieb nicht mit im Werkstück sitzender Trennscheibe fort. Führen Sie die Trennscheibe vorsichtig in den Schnitt ein, nachdem sie die volle Drehzahl erreicht hat.** Wird das Elektrowerkzeug mit im Werkstück sitzender Trennscheibe eingeschaltet, kann die Trennscheibe klemmen, hochsteigen oder zurückschlagen.
6. **Stützen Sie Platten oder andere übergroße Werkstücke ab, um die Gefahr von Klemmen oder Rückschlag der Trennscheibe zu minimieren.** Große Werkstücke neigen dazu, unter ihrem Eigengewicht durchzuhängen. Die Stützen müssen nahe der Schnittlinie und in der Nähe der Werkstückkante beidseitig der Trennscheibe unter das Werkstück platziert werden.
7. **Lassen Sie besondere Vorsicht walten, wenn Sie einen „Taschenfräsen“ in bestehende Wände oder andere Blindflächen durchführen.** Die vorstehende Trennscheibe kann Gas- oder Wasserleitungen, Stromkabel oder Objekte durchschneiden, die Rückschlag verursachen können.

#### **Sicherheitswarnungen speziell für Drahtbürstenbetrieb:**

1. **Beachten Sie, dass Drahtborsten auch bei normalem Betrieb von der Drahtbürste herausgeschleudert werden. Überbeanspruchen Sie**

die Drähte nicht durch Ausübung übermäßigen Drucks auf die Drahtbürste. Die Drahtborsten können ohne weiteres leichte Kleidung und/oder Haut durchdringen.

2. Lassen Sie die Bürsten mindestens eine Minute lang mit Betriebsdrehzahl laufen, bevor Sie sie benutzen. Während dieser Zeit darf sich niemand vor oder in eine Reihe mit der Bürste stellen. Lose Borsten oder Drähte werden während der Einlaufzeit ausgeworfen.
3. Richten Sie den Ausstoß der rotierenden Drahtbürste von sich weg. Kleine Partikel und winzige Drahtfragmente können beim Benutzen dieser Bürsten mit hoher Geschwindigkeit herausgeschleudert werden und sich in Ihrer Haut festsetzen.

#### Zusätzliche Sicherheitswarnungen:

1. Das Werkzeug ist für den Gebrauch mit gebundenen Schleifspitzen (Schleifsteinen) vorgesehen, die dauerhaft auf einer glatten Spindel (Schaft) ohne Gewinde montiert sind.
2. Vergewissern Sie sich vor dem Einschalten des Werkzeugs, dass die Schleifscheibe nicht das Werkstück berührt.
3. Lassen Sie das Werkzeug vor der eigentlichen Bearbeitung eines Werkstücks eine Weile laufen. Achten Sie auf Vibrationen oder Taumelbewegungen, die Anzeichen für schlechte Montage oder eine schlecht ausgewuchtete Schleifscheibe sein können.
4. Verwenden Sie nur die vorgeschriebene Fläche der Schleifscheibe für Schleifarbeiten.
5. Nehmen Sie sich vor Funkenflug in Acht. Halten Sie das Werkzeug so, dass Sie und andere Personen oder leicht entzündliche Materialien nicht von den Funken getroffen werden.
6. Lassen Sie das Werkzeug nicht unbeaufsichtigt laufen. Benutzen Sie das Werkzeug nur mit Handhaltung.
7. Vermeiden Sie eine Berührung des Werkstücks unmittelbar nach der Bearbeitung, weil es dann noch sehr heiß ist und Hautverbrennungen verursachen kann.
8. Befolgen Sie die Anweisungen des Herstellers für korrekte Montage und Verwendung von Schleifscheiben. Behandeln und lagern Sie Schleifscheiben mit Sorgfalt.
9. Vergewissern Sie sich, dass das Werkstück sicher abgestützt ist.
10. Verwenden Sie dieses Werkzeug nicht zur Bearbeitung von asbesthaltigen Materialien.
11. Achten Sie stets auf sicheren Stand. Vergewissern Sie sich bei Einsatz des Werkzeugs an hochgelegenen Arbeitsplätzen, dass sich keine Personen darunter aufhalten.

## BEWAHREN SIE DIESE ANLEITUNG AUF.

**⚠️ WARNUNG:** Lassen Sie sich NICHT durch Bequemlichkeit oder Vertrautheit mit dem Produkt (durch wiederholten Gebrauch erworben) von der strikten Einhaltung der Sicherheitsregeln für das vorliegende Produkt abhalten. MISSBRAUCH oder Missachtung der Sicherheitsvorschriften in dieser Anleitung können schwere Personenschäden verursachen.

## Wichtige Sicherheitsanweisungen für Akku

1. Lesen Sie vor der Benutzung des Akkus alle Anweisungen und Warnhinweise, die an (1) Ladegerät, (2) Akku und (3) Akkuwerkzeug angebracht sind.
2. Unterlassen Sie Zerlegen oder Manipulieren des Akkus. Es kann sonst zu einem Brand, übermäßiger Hitzeentwicklung oder einer Explosion kommen.
3. Falls die Betriebszeit beträchtlich kürzer geworden ist, stellen Sie den Betrieb sofort ein. Anderenfalls besteht die Gefahr von Überhitzung, möglichen Verbrennungen und sogar einer Explosion.
4. Falls Elektrolyt in Ihre Augen gelangt, waschen Sie sie mit sauberem Wasser aus, und begeben Sie sich unverzüglich in ärztliche Behandlung. Anderenfalls können Sie Ihre Sehkraft verlieren.
5. Der Akku darf nicht kurzgeschlossen werden:
  - (1) Die Kontakte dürfen nicht mit leitfähigem Material berührt werden.
  - (2) Lagern Sie den Akku nicht in einem Behälter zusammen mit anderen Metallgegenständen, wie z. B. Nägel, Münzen usw.
  - (3) Setzen Sie den Akku weder Wasser noch Regen aus.Ein Kurzschluss des Akkus verursacht starken Stromfluss, der Überhitzung, mögliche Verbrennungen und einen Defekt zur Folge haben kann.
6. Lagern und benutzen Sie das Werkzeug und den Akku nicht an Orten, an denen die Temperatur 50 °C erreichen oder überschreiten kann.
7. Versuchen Sie niemals, den Akku zu verbrennen, selbst wenn er stark beschädigt oder vollkommen verbraucht ist. Der Akku kann im Feuer explodieren.
8. Unterlassen Sie Nageln, Schneiden, Zerquetschen, Werfen, Fallenlassen des Akkus oder Schlagen des Akkus mit einem harten Gegenstand. Eine solche Handlung kann zu einem Brand, übermäßiger Hitzeentwicklung oder einer Explosion führen.
9. Benutzen Sie keine beschädigten Akkus.
10. Die enthaltenen Lithium-Ionen-Akkus unterliegen den Anforderungen der Gefahrengut-Gesetzgebung.

Für kommerzielle Transporte, z. B. durch Dritte oder Spediteure, müssen besondere Anforderungen zu Verpackung und Etikettierung

beachtet werden.

Zur Vorbereitung des zu transportierenden Artikels ist eine Beratung durch einen Experten für Gefahrgut erforderlich. Bitte beachten Sie möglicherweise ausführlichere nationale Vorschriften. Überkleben oder verdecken Sie offene Kontakte, und verpacken Sie den Akku so, dass er sich in der Verpackung nicht umher bewegen kann.

11. **Entfernen Sie den Akku zum Entsorgen vom Werkzeug, und entsorgen Sie ihn an einem sicheren Ort. Befolgen Sie die örtlichen Vorschriften bezüglich der Entsorgung von Akkus.**
12. **Verwenden Sie die Akkus nur mit den von Makita angegebenen Produkten.** Das Einsetzen der Akkus in nicht konforme Produkte kann zu einem Brand, übermäßiger Hitzebildung, einer Explosion oder Auslaufen von Elektrolyt führen.
13. **Soll das Werkzeug längere Zeit nicht benutzt werden, muss der Akku vom Werkzeug entfernt werden.**
14. **Bei und nach dem Gebrauch kann der Akku heiß werden, was Verbrennungen oder Niedertemperaturverbrennungen verursachen kann. Beachten Sie die Handhabung von heißen Akkus.**
15. **Berühren Sie nicht den Anschlusskontakt des Werkzeugs unmittelbar nach dem Gebrauch, da er heiß genug werden kann, um Verbrennungen zu verursachen.**
16. **Achten Sie darauf, dass sich keine Späne, Staub oder Schmutz in den Anschlusskontakten, Löchern und Nuten des Akkus absetzen.** Es könnte sonst zu Erhitzung, Brandauslösung, Bersten und Funktionsstörungen des Werkzeugs oder des Akkus kommen, was zu Verbrennungen oder Personenschäden führen kann.
17. **Wenn das Werkzeug den Einsatz in der Nähe einer Hochspannungs-Stromleitung nicht unterstützt, benutzen Sie den Akku nicht in der Nähe einer Hochspannungs-Stromleitung.** Dies kann zu einer Funktionsstörung oder Betriebsstörung des Werkzeugs oder des Akkus führen.
18. **Halten Sie die Batterie von Kindern fern.**

## **DIESE ANWEISUNGEN AUFBEWAHREN.**

**⚠ VORSICHT:** Verwenden Sie nur Original-Makita-Akkus. Die Verwendung von Nicht-Original-Makita-Akkus oder von Akkus, die abgeändert worden sind, kann zum Bersten des Akkus und daraus resultierenden Bränden, Personenschäden und Beschädigung führen. Außerdem wird dadurch die Makita-Garantie für das Makita-Werkzeug und -Ladegerät ungültig.

**ANMERKUNG:** Makita haftet nicht für Unfälle, die durch das Benutzen von nicht originalen oder modifizierten Makita-Akkus entstehen. Original-Makita-Akkus wurden in Übereinstimmung mit den anwendbaren Gesetzen und Sicherheitsstandards streng auf ihre Kompatibilität mit Makita-Werkzeugen und -Ladegeräten geprüft.

## **Hinweise zur Aufrechterhaltung der maximalen Akku-Nutzungsdauer**

1. **Laden Sie den Akku, bevor er vollkommen erschöpft ist. Schalten Sie das Werkzeug stets aus, und laden Sie den Akku, wenn Sie ein Nachlassen der Werkzeugleistung feststellen.**
2. **Unterlassen Sie erneutes Laden eines voll aufgeladenen Akkus. Überladen führt zu einer Verkürzung der Nutzungsdauer des Akkus.**
3. **Laden Sie den Akku bei Raumtemperatur zwischen 10 – 40 °C. Lassen Sie einen heißen Akku abkühlen, bevor Sie ihn laden.**
4. **Wenn Sie den Akku nicht benutzen, nehmen Sie ihn vom Werkzeug oder Ladegerät ab.**
5. **Der Akku muss geladen werden, wenn er lange Zeit (länger als sechs Monate) nicht benutzt wird.**

## **FUNKTIONSBE-SCHREIBUNG**

**⚠ WARNUNG:** Vergewissern Sie sich vor der Durchführung von Einstellungen oder Funktionsprüfungen des Werkzeugs stets, dass das Werkzeug ausgeschaltet und der Akku abgenommen ist.

## **Anbringen und Abnehmen des Akkus**

**⚠ VORSICHT:** Schalten Sie das Werkzeug stets aus, bevor Sie den Akku anbringen oder abnehmen.

**⚠ VORSICHT:** Halten Sie das Werkzeug und den Akku beim Anbringen oder Abnehmen des Akkus sicher fest. Wenn Sie das Werkzeug und den Akku nicht sicher festhalten, können sie Ihnen aus der Hand rutschen, was zu einer Beschädigung des Werkzeugs und des Akkus und zu Körperverletzungen führen kann.

Richten Sie zum Anbringen des Akkus dessen Führungsfeder auf die Nut im Gehäuse aus, und schieben Sie den Akku hinein. Schieben Sie ihn vollständig ein, bis er mit einem leisen Klicken einrastet. Wenn Sie die rote Anzeige sehen können, wie in der Abbildung gezeigt, ist der Akku nicht vollständig verriegelt.

Ziehen Sie den Akku zum Abnehmen vom Werkzeug ab, während Sie den Knopf an der Vorderseite des Akkus verschieben.

► **Abb.1:** 1. Rote Anzeige 2. Knopf 3. Akku

**⚠ VORSICHT:** Schieben Sie den Akku stets bis zum Anschlag ein, bis die rote Anzeige nicht mehr sichtbar ist. Andernfalls kann er aus dem Werkzeug herausfallen und Sie oder umstehende Personen verletzen.

**⚠ VORSICHT:** Unterlassen Sie Gewaltanwendung beim Anbringen des Akkus. Falls der Akku nicht reibungslos hineingeleitet, ist er nicht richtig ausgerichtet.

## Anzeigen der Akku-Restkapazität

Drücken Sie die Prüftaste am Akku, um die Akku-Restkapazität anzuzeigen. Die Anzeigelampen leuchten wenige Sekunden lang auf.

► **Abb.2:** 1. Anzeigelampen 2. Prüftaste

Anzeigelampen			Restkapazität
Erleuchtet	Aus	Blinkend	
■	□	◐	75% bis 100%
■	■	■	
■	■	□	
■	■	□	
■	□	□	25% bis 50%
■	□	□	0% bis 25%
◐	□	□	Den Akku aufladen.
■	■	□	Möglicherweise liegt eine Funktionsstörung im Akku vor.
□	□	■	

**HINWEIS:** Abhängig von den Benutzungsbedingungen und der Umgebungstemperatur kann die Anzeige geringfügig von der tatsächlichen Kapazität abweichen.

**HINWEIS:** Die erste (äußerste linke) Anzeigelampe blinkt, wenn das Akku-Schutzsystem aktiv ist.

## Werkzeug/Akku-Schutzsystem

Das Werkzeug ist mit einem Werkzeug/Akku-Schutzsystem ausgestattet. Dieses System schaltet die Stromversorgung des Motors automatisch ab, um die Lebensdauer von Werkzeug und Akku zu verlängern. Das Werkzeug bleibt während des Betriebs automatisch stehen, wenn das Werkzeug oder der Akku einer der folgenden Bedingungen unterliegt:

### Überlastschutz

Wird das Werkzeug/der Akku auf eine Weise benutzt, die eine ungewöhnlich hohe Stromaufnahme bewirkt, bleibt das Werkzeug ohne jegliche Anzeige automatisch stehen. Schalten Sie in dieser Situation das Werkzeug aus, und brechen Sie die Arbeit ab, die eine Überlastung des Werkzeugs verursacht hat. Schalten Sie dann das Werkzeug wieder ein, um neu zu starten.

## Überhitzungsschutz

Wenn das Werkzeug/der Akku überhitzt wird, bleibt das Werkzeug automatisch stehen, und die Lampe blinkt. Lassen Sie das Werkzeug abkühlen, bevor Sie es wieder einschalten.

## Überentladungsschutz

Wenn die Akkukapazität unzureichend wird, bleibt das Werkzeug automatisch stehen. Nehmen Sie in diesem Fall den Akku vom Werkzeug ab, und laden Sie ihn auf.

## Aufheben der Schutzperre

Bei wiederholter Aktivierung des Schutzsystems wird das Werkzeug verriegelt.

In dieser Situation startet das Werkzeug nicht, selbst wenn es aus- und wieder eingeschaltet wird. Um die Schutzperre aufzuheben, nehmen Sie den Akku ab, setzen Sie ihn in das Ladegerät ein, und warten Sie, bis der Ladevorgang beendet ist.

## Schutz gegen andere Ursachen

Das Schutzsystem ist auch für andere Ursachen ausgelegt, die eine Beschädigung des Werkzeugs bewirken könnten, und ermöglicht automatisches Anhalten des Werkzeugs. Führen Sie alle folgenden Schritte aus, um die Ursachen zu beseitigen, wenn das Werkzeug zu einem vorübergehenden Stillstand oder Betriebsstopp gekommen ist.

1. Vergewissern Sie sich, dass alle Schalter ausgeschaltet sind, und schalten Sie das Werkzeug für einen Wiederanlauf erneut ein.
2. Laden Sie den/die Akku(s) auf, oder tauschen Sie ihn/sie gegen einen aufgeladenen Akku/aufgeladene Akkus aus.
3. Lassen Sie das Werkzeug und den/die Akku(s) abkühlen.

Falls die Wiederherstellung des Schutzsystems keine Besserung bringt, wenden Sie sich an Ihre lokale Makita-Kundendienststelle.

## Spindelarreterung

**⚠ WARNUNG:** Betätigen Sie die Spindelarreterung niemals bei rotierender Spindel. Dies kann schwere Verletzungen oder eine Beschädigung des Werkzeugs verursachen.

**⚠ WARNUNG:** Vergewissern Sie sich, dass die Spindelarreterung nach dem Loslassen vollständig in ihre Ausgangsposition zurückkehrt.

Drücken Sie die Spindelarreterung, um die Spindel zum Montieren oder Demontieren von Zubehör zu blockieren.

► **Abb.3:** 1. Spindelarreterung

## Schalterfunktion

Nur für Modell GD001G

**⚠ VORSICHT:** Bevor Sie den Akku in das Werkzeug einsetzen, sollten Sie sich stets vergewissern, dass der Schiebeschalter ordnungsgemäß funktioniert und beim Drücken der Rückseite in die AUS-Stellung zurückkehrt.

**⚠ VORSICHT:** Der Schalter kann zur Arbeiterleichterung bei längerem Einsatz in der EIN-Stellung verriegelt werden. Lassen Sie Vorsicht walten, wenn Sie den Schalter in der EIN-Stellung verriegeln, und halten Sie das Werkzeug mit festem Griff.

Zum Einschalten des Werkzeugs den Schiebeschalter auf die Position „I (EIN)“ schieben. Für Dauerbetrieb rasten Sie den Schiebeschalter durch Drücken seiner Vorderseite ein. Um das Werkzeug anzuhalten, drücken Sie das hintere Ende des Schiebeschalters nach unten und schieben Sie ihn dann in Richtung der Position „O (AUS)“.

► **Abb.4:** 1. Schiebeschalter

Nur für Modell GD002G

**⚠ VORSICHT:** Vergewissern Sie sich vor dem Anbringen des Akkus am Werkzeug stets, dass der Schalthebel ordnungsgemäß funktioniert und beim Loslassen in die Position „AUS“ zurückkehrt.

**⚠ VORSICHT:** Aus Sicherheitsgründen ist dieses Werkzeug mit einem Einschaltsperrhebel ausgestattet, der versehentliches Einschalten des Werkzeugs verhindert. Benutzen Sie das Werkzeug NIEMALS, wenn es durch einfache Betätigung des Schalthebels eingeschaltet werden kann, ohne den Einschaltsperrhebel zu drücken. Bringen Sie das Werkzeug VOR der weiteren Verwendung zur ordnungsgemäßen Reparatur zu unserem autorisierten Service-Center.

**⚠ VORSICHT:** Betätigen Sie den Schalthebel nicht gewaltsam, ohne den Einschaltsperrhebel zu betätigen. Dies kann zu einer Beschädigung des Schalters führen.

**⚠ VORSICHT:** Der Einschaltsperrhebel darf NIEMALS festgeklebt oder funktionsunfähig gemacht werden.

Um versehentliche Betätigung des Schalthebels zu verhindern, ist das Werkzeug mit einem Einschaltsperrhebel ausgestattet.

Zum Einschalten des Werkzeugs den Einschaltsperrhebel zum Bediener hin ziehen, und dann den Schalthebel betätigen.

Zum Ausschalten des Werkzeugs einfach den Schalthebel loslassen.

► **Abb.5:** 1. Einschaltsperrhebel 2. Schalthebel

## Drehzahl-Stellrad

Die Drehzahl des Werkzeugs kann durch Drehen des Drehzahl-Stellrads geändert werden. Die nachstehende Tabelle gibt die Drehzahlen an, die den Nummern auf dem Stellrad entsprechen.

► **Abb.6:** 1. Drehzahl-Stellrad

Nummer	Drehzahl
1	7.000 min <sup>-1</sup>
2	12.500 min <sup>-1</sup>
3	18.000 min <sup>-1</sup>
4	23.500 min <sup>-1</sup>
5	29.000 min <sup>-1</sup>

**ANMERKUNG:** Wird das Werkzeug über längere Zeitspannen im Dauerbetrieb mit niedriger Drehzahl betrieben, führt das zu einer Überlastung des Motors, die eine Funktionsstörung des Werkzeugs zur Folge haben kann.

**ANMERKUNG:** Das Drehzahl-Stellrad lässt sich nur bis 5 und zurück auf 1 drehen. Wird es gewaltsam über 5 oder 1 hinaus gedreht, kann die Drehzahleinstellfunktion unbrauchbar werden.

## Einschalten der Frontlampe

**⚠ VORSICHT:** Blicken Sie nicht direkt in die Lampe oder die Lichtquelle.

Die Frontlampe leuchtet nach dem Installieren des Akkus 10 Sekunden lang auf oder leuchtet kontinuierlich, während der Schalter eingeschaltet ist. Die Lampe erlischt 10 Sekunden nach dem Ausschalten des Schalters.

► **Abb.7:** 1. Frontlampe

## Deaktivieren oder Aktivieren des Lampenstatus

Um den Lampenstatus zu aktivieren oder zu deaktivieren, gehen Sie wie folgt vor.

1. Setzen Sie den Akku in das Werkzeug ein.
2. Stellen Sie das Drehzahl-Stellrad auf „5“.
3. Drehen Sie das Drehzahl-Stellrad auf „1“ und dann zurück auf „5“.

**HINWEIS:** Der Lampenstatus kann innerhalb von 10 Sekunden nach dem Einführen des Akkus geändert werden. Ist der Schalter einmal eingeschaltet, kann der Lampenstatus nicht mehr geändert werden, selbst wenn es innerhalb von 10 Sekunden nach dem Einführen des Akkus ist.

**HINWEIS:** Der Lampenstatus kann auch geändert werden, indem das Drehzahl-Stellrad auf „1“ - „5“ - „1“ eingestellt wird.

**HINWEIS:** Um den Lampenstatus wieder einzustellen, entfernen Sie zunächst den Akku, und stellen Sie dann das Drehzahl-Stellrad ein.

**HINWEIS:** Der Lampenstatus ist derselbe wie bei der letzten Benutzung dieses Werkzeugs.

## Funktion zur Verhütung eines versehentlichen Wiederanlaufs

Wird der Akku installiert, während der Schalter eingeschaltet ist, startet das Werkzeug nicht. Um das Werkzeug zu starten, schalten Sie den Schalter aus und dann wieder ein.

## Aktive Rückkopplungs-Erkennungstechnologie

Das Werkzeug erkennt durch eine Elektronik Situationen, in denen die Gefahr besteht, dass die Schleifscheibe oder das Zubehörteil klemmt. In einer solchen Situation wird das Werkzeug automatisch ausgeschaltet, um eine Weiterdrehung der Spindel zu verhindern (Rückschlag wird dadurch nicht verhütet). Um das Werkzeug wieder zu starten, schalten Sie es zuerst aus, beseitigen Sie die Ursache des plötzlichen Drehabfalls, und schalten Sie dann das Werkzeug wieder ein.

## Soft-Start-Funktion

Die Soft-Start-Funktion reduziert den Anlaufstoß.

## Konstantdrehzahlregelung

Feines Finish wird ermöglicht, weil die Drehzahl selbst unter Belastung konstant gehalten wird.

## Elektrische Bremse

Die elektrische Bremse wird nach dem Ausschalten des Werkzeugs aktiviert.

Die Bremse funktioniert nicht, wenn die Stromversorgung abgeschaltet wird, z. B. durch versehentliches Abnehmen des Akkus, während der Schalter noch eingeschaltet ist.

## MONTAGE

**⚠ VORSICHT:** Vergewissern Sie sich vor der Ausführung von Arbeiten am Werkzeug stets, dass das Werkzeug ausgeschaltet und der Akku abgenommen ist.

## Installieren oder Entfernen von Zubehörteilen

**⚠ VORSICHT:** Verwenden Sie die korrekte Größe des Spannzangenkonus für das Zubehörteil, das Sie zu benutzen beabsichtigen.

**ANMERKUNG:** Ziehen Sie die Spannzangenmutter nicht an, ohne ein Zubehörteil einzuführen. Anderenfalls kann es zu einer Beschädigung des Spannzangenkonus kommen.

## Verwenden der Spindelarreterung

Drücken Sie die Spindelarreterung fest, damit sich die Spindel nicht mehr drehen kann. Lösen Sie die Spannzangenmutter entgegen dem Uhrzeigersinn und führen Sie das Zubehörteil in die Spannzangenmutter ein. Ziehen Sie die Spannzangenmutter mit dem Schraubenschlüssel im Uhrzeigersinn an.

► **Abb.8:** 1. Spindelarreterung 2. Schraubenschlüssel 3. Zubehörteil 4. Spannzangenmutter

## Verwendung von zwei Schraubenschlüsseln

Lösen Sie die Spannzangenmutter entgegen dem Uhrzeigersinn und führen Sie das Zubehörteil in die Spannzangenmutter ein. Verwenden Sie einen Schraubenschlüssel zum Festhalten der Spindel. Drehen Sie die Spannzangenmutter mit einem anderen Schraubenschlüssel im Uhrzeigersinn einwandfrei fest.

► **Abb.9:** 1. Schraubenschlüssel 2. Zubehörteil 3. Spannzangenmutter

**HINWEIS:** Lässt sich das Zubehörteil nach dem Lösen der Spannzangenmutter nicht in die Spannzangenmutter einführen, behindert der Spannzangenkonus möglicherweise das Zubehörteil. Entfernen Sie in diesem Fall die Spannzangenmutter, und stellen Sie die Position des Spannzangenkonus neu ein.

Das Zubehörteil sollte nicht weiter als 10 mm von der Spannzangenmutter montiert werden. Wird dieser Abstand überschritten, kann es zu Vibrationen oder einem Schaftbruch der Schleifspitze kommen.

► **Abb.10**

## Wechseln des Spannzangenkonus

1. Lösen und entfernen Sie die Spannzangenmutter.
  2. Ersetzen Sie den montierten Spannzangenkonus durch den gewünschten Spannzangenkonus.
  3. Bringen Sie die Spannzangenmutter wieder an.
- **Abb.11:** 1. Spannzangenmutter 2. Spannzangenkonus

Falls sich der Spannzangenkonus nicht entfernen lässt, greifen Sie ihn mit einer Spitzzange und entfernen Sie ihn.

Um eine Verformung des Spannzangenkonus zu verhindern, wenden Sie keine übermäßige Kraft an, wenn Sie ihn greifen.

► **Abb.12:** 1. Spannzangenkonus

## BETRIEB

**⚠ VORSICHT:** Üben Sie nur leichten Anpressdruck auf das Werkzeug aus. Übermäßige Druckausübung auf das Werkzeug führt nur zu schlechter Ausführung und Überlastung des Motors.

**⚠ VORSICHT:** Das Zubehörteil rotiert auch nach dem Ausschalten des Werkzeugs weiter.

**⚠ VORSICHT:** Halten Sie das Werkzeug mit beiden Händen sicher fest.

**⚠ VORSICHT:** Wenn Sie die im Handel erhältlichen Zubehörteile benutzen, vergewissern Sie sich immer, dass die Nenndrehzahl des Zubehörs mindestens der auf dem Werkzeug markierten Höchstdrehzahl entspricht.

Schalten Sie das Werkzeug ein, ohne dass das Zubehörteil mit dem Werkstück in Berührung kommt, und warten Sie, bis das Zubehörteil die volle Drehzahl

erreicht hat. Setzen Sie dann das Zubehörteil sachte an das Werkstück an.

► **Abb.13**

**HINWEIS:** Wenn Sie Seitenschleifen betreiben, bewegen Sie das Werkzeug langsam nach links, um ein gutes Ergebnis zu erzielen.

## WARTUNG

**⚠ VORSICHT:** Vergewissern Sie sich vor der Durchführung von Inspektions- oder Wartungsarbeiten stets, dass das Werkzeug ausgeschaltet und der Akku abgenommen ist.

**ANMERKUNG:** Verwenden Sie auf keinen Fall Benzin, Waschbenzin, Verdünnern, Alkohol oder dergleichen. Solche Mittel können Verfärbung, Verformung oder Rissbildung verursachen.

Um die SICHERHEIT und ZUVERLÄSSIGKEIT dieses Produkts zu gewährleisten, sollten Reparaturen und andere Wartungs- oder Einstellarbeiten nur von Makita-Vertragswerkstätten oder Makita-Kundendienstzentren unter ausschließlicher Verwendung von Makita-Originalersatzteilen ausgeführt werden.

## Abrichten der Schleifspitze

Wenn die Schleifspitze mit zahlreichen Teilchen und Partikeln zugesetzt wird, sollte sie mit einem Abziehstein abgerichtet werden.

## Reinigung der Ventilationsöffnungen

Halten Sie das Werkzeug und seine Ventilationsöffnungen stets sauber. Reinigen Sie die Ventilationsöffnungen des Werkzeugs regelmäßig oder im Anfangsstadium einer Verstopfung.

► **Abb.14:** 1. Auslassöffnung 2. Einlassöffnung

Entfernen Sie den Staubfänger von der Ansaugöffnung, und reinigen Sie ihn, um ungehinderte Luftzirkulation zu gewährleisten.

► **Abb.15:** 1. Staubfänger

**ANMERKUNG:** Reinigen Sie den Staubfänger, wenn er mit Staub oder Fremdkörpern zugesetzt ist. Fortgesetzter Betrieb mit verstopftem Staubfänger kann zu einer Beschädigung des Werkzeugs führen.

## SONDERZUBEHÖR

**⚠ VORSICHT:** Die folgenden Zubehörteile oder Vorrichtungen werden für den Einsatz mit dem in dieser Anleitung beschriebenen Makita-Werkzeug empfohlen. Die Verwendung anderer Zubehörteile oder Vorrichtungen kann eine Verletzungsgefahr darstellen. Verwenden Sie Zubehörteile oder Vorrichtungen nur für ihren vorgesehenen Zweck.

Wenn Sie weitere Einzelheiten bezüglich dieser Zubehörteile benötigen, wenden Sie sich bitte an Ihre Makita-Kundendienststelle.

- Schleifspitzen
- Spannzangenkonus (3 mm, 6 mm, 8 mm, 1/4", 1/8")
- Spannzangenmutter
- Schraubenschlüssel 13
- Original-Makita-Akku und -Ladegerät

**HINWEIS:** Manche Teile in der Liste können als Standardzubehör im Werkzeugsatz enthalten sein. Sie können von Land zu Land unterschiedlich sein.



## Modello GD002G

Modalità operativa	Livello di pressione sonora ( $L_{pA}$ ) :	Livello di potenza sonora ( $L_{WA}$ ) :	Incertezza (K):
A vuoto (disco artificiale da 25-50 mm)	78 dB(A)	-	3 dB(A)
A vuoto (disco artificiale da 50 mm e oltre)	80 dB(A)	91 dB(A)	3 dB(A)

Il livello del rumore nelle condizioni di lavoro può superare gli 80 dB (A).

**NOTA:** Il valore o i valori dichiarati delle emissioni di rumori sono stati misurati in conformità a un metodo standard di verifica, e possono essere utilizzati per confrontare un utensile con un altro.

**NOTA:** Il valore o i valori dichiarati delle emissioni di rumori possono essere utilizzati anche per una valutazione preliminare dell'esposizione.

**AVVERTIMENTO:** Indossare protezioni per le orecchie.

**AVVERTIMENTO:** L'emissione di rumori durante l'utilizzo effettivo dell'utensile elettrico può variare rispetto al valore o ai valori complessivi dichiarati, a seconda dei modi in cui viene utilizzato l'utensile.

**AVVERTIMENTO:** Accertarsi di identificare misure di sicurezza per la protezione dell'operatore che siano basate su una stima dell'esposizione nelle condizioni effettive di utilizzo (tenendo conto di tutte le parti del ciclo operativo, ad esempio del numero di spegnimenti dell'utensile e di quando giri a vuoto, oltre al tempo di attivazione).

## Vibrazioni

Valore complessivo delle vibrazioni continue (somma vettoriale triassiale) determinato in base allo standard EN60745-2-23:

### Modello GD001G

Modalità operativa	Emissione di vibrazioni ( $a_n$ ) :	Incertezza (K):
Smerigliatura di superfici (disco artificiale da 25-50 mm)	5,4 m/s <sup>2</sup>	1,5 m/s <sup>2</sup>
Smerigliatura di superfici (disco artificiale da 50 mm e oltre)	15,2 m/s <sup>2</sup>	1,5 m/s <sup>2</sup>

### Modello GD002G

Modalità operativa	Emissione di vibrazioni ( $a_n$ ) :	Incertezza (K):
Smerigliatura di superfici (disco artificiale da 25-50 mm)	5,7 m/s <sup>2</sup>	1,5 m/s <sup>2</sup>
Smerigliatura di superfici (disco artificiale da 50 mm e oltre)	14,6 m/s <sup>2</sup>	1,5 m/s <sup>2</sup>

**NOTA:** Il valore o i valori complessivi delle vibrazioni dichiarati sono stati misurati in conformità a un metodo standard di verifica, e possono essere utilizzati per confrontare un utensile con un altro.

**NOTA:** Il valore o i valori complessivi delle vibrazioni dichiarati possono essere utilizzati anche per una valutazione preliminare dell'esposizione.

**AVVERTIMENTO:** L'emissione di vibrazioni durante l'utilizzo effettivo dell'utensile elettrico può variare rispetto al valore o ai valori complessivi dichiarati, a seconda dei modi in cui viene utilizzato l'utensile.

**AVVERTIMENTO:** Accertarsi di identificare misure di sicurezza per la protezione dell'operatore che siano basate su una stima dell'esposizione nelle condizioni effettive di utilizzo (tenendo conto di tutte le parti del ciclo operativo, ad esempio del numero di spegnimenti dell'utensile e di quando giri a vuoto, oltre al tempo di attivazione).

## Dichiarazioni di conformità

*Solo per i paesi europei*

Le Dichiarazioni di conformità sono incluse nell'Allegato A al presente manuale d'uso.

## AVVERTENZE DI SICUREZZA

### Avvertenze generali relative alla sicurezza dell'utensile elettrico

**AVVERTIMENTO** Leggere tutte le avvertenze di sicurezza, le istruzioni, le illustrazioni e i dati tecnici forniti insieme a questo utensile elettrico. La mancata osservanza di tutte le istruzioni seguenti potrebbe risultare in scosse elettriche, incendi e/o gravi lesioni personali.

### Conservare tutte le avvertenze e le istruzioni come riferimento futuro.

Il termine "utensile elettrico" nelle avvertenze si riferisce sia all'utensile elettrico (cablato) nel funzionamento alimentato da rete elettrica che all'utensile elettrico (a batteria) nel funzionamento alimentato a batteria.

### Avvertenze di sicurezza relative alla smerigliatrice dritta a batteria

Avvertenze di sicurezza comuni relative alle operazioni di smerigliatura, levigatura, spazzolatura metallica, lucidatura, intaglio o tronatura abrasiva:

1. Questo utensile elettrico è progettato per funzionare come smerigliatrice, levigatrice, spazzola metallica, lucidatrice, utensile da intaglio o troncatrice. Leggere tutte le avvertenze di sicurezza, le istruzioni, le illustrazioni e i dati

**tecnici forniti insieme a questo utensile elettrico.** La mancata osservanza di tutte le istruzioni seguenti potrebbe risultare in scosse elettriche, incendi e/o gravi lesioni personali.

2. **Non utilizzare accessori che non siano stati specificatamente progettati e consigliati dal produttore dell'utensile.** Anche se un accessorio può essere montato sull'utensile elettrico, ciò non garantisce un funzionamento sicuro.
3. **La velocità nominale degli accessori da smerigliatura deve essere almeno pari alla velocità massima indicata sull'utensile elettrico.** Gli accessori da smerigliatura che girino più velocemente della loro velocità nominale possono spaccarsi, e i frammenti possono venire scagliati via.
4. **Il diametro esterno e lo spessore dell'accessorio utilizzato devono rientrare nella capacità nominale dell'utensile elettrico utilizzato.** Non è possibile controllare in modo adeguato gli accessori di dimensioni errate.
5. **Le dimensioni degli alberi di dischi, tamburi abrasivi o qualsiasi altro accessorio devono essere appropriate in rapporto a quella del mandrino o della pinza dell'utensile elettrico.** Gli accessori che non corrispondano all'attacco di montaggio dell'utensile elettrico funzionano in modo sbilanciato, vibrano eccessivamente e potrebbero causare la perdita di controllo.
6. **I dischi montati su mandrino, i tamburi abrasivi, le frese o altri accessori devono essere inseriti completamente nella pinza o nel mandrino di serraggio.** Qualora il mandrino non sia stretto saldamente e/o la parte sporgente del disco sia eccessivamente lunga, il disco montato potrebbe allentarsi e potrebbe venire espulso ad alta velocità.
7. **Non utilizzare accessori danneggiati.** Prima di ciascun utilizzo, ispezionare l'accessorio e verificare l'eventuale presenza di: scheggiature e spaccature sulle mole abrasive; spaccature, lacerazioni o usura eccessiva sui tamburi abrasivi; fili metallici allentati o spaccati sulle spazzole metalliche. Qualora l'utensile elettrico o l'accessorio vengano fatti cadere, verificare l'eventuale presenza di danni o installare un accessorio non danneggiato. Dopo aver ispezionato e installato un accessorio, posizionare se stessi e gli astanti lontano dal piano di rotazione dell'accessorio, quindi far funzionare l'utensile elettrico alla massima velocità a vuoto per un minuto. Gli accessori danneggiati in genere si rompono, durante questo periodo di prova.
8. **Indossare un'attrezzatura di protezione personale.** A seconda dell'applicazione, utilizzare una visiera, occhiali o occhiali di sicurezza. A seconda delle esigenze, indossare una mascherina antipolvere, protezioni per l'udito, guanti e un grembiule da officina in grado di arrestare piccoli frammenti abrasivi o del pezzo. La protezione degli occhi deve essere in grado di arrestare detriti volanti causati da svariate operazioni. La mascherina antipolvere o il respiratore devono essere in grado di filtrare le particelle generate dall'operazione in corso. L'esposizione prolungata al rumore ad alta intensità potrebbe

causare la perdita dell'udito.

9. **Tenere gli astanti a distanza di sicurezza dall'area di lavoro. Chiunque entri nell'area di lavoro deve indossare l'attrezzatura di protezione personale.** I frammenti del pezzo o di un accessorio rotto potrebbero venire scagliati via e causare lesioni personali a una distanza superiore alle immediate vicinanze dell'operazione in corso.
10. **Mantenere l'utensile elettrico solo per le superfici di impugnatura isolate, quando si esegue un'operazione in cui l'accessorio da taglio potrebbe entrare in contatto con fili elettrici nascosti.** Qualora l'accessorio da taglio entri in contatto con un cavo sotto tensione, potrebbe mettere sotto tensione le parti metalliche esposte dell'utensile elettrico e trasmettere una scossa elettrica all'operatore.
11. **Tenere sempre saldamente in mano l'utensile durante il suo avvio.** La coppia di reazione del motore, quando accelera fino alla velocità massima, può causare una torsione dell'utensile.
12. **Utilizzare delle morse per sostenere il pezzo, quando possibile. Non tenere mai un pezzo piccolo con una mano e l'utensile con l'altra mano durante l'uso.** Se si fissa con una morsa un pezzo piccolo, è possibile utilizzare le mani per controllare l'utensile. I materiali rotondi, quali i perni cilindrici, i tubi o le tubature, tendono a girare su se stessi quando vengono tagliati, e potrebbero far bloccare la punta o farla saltare verso l'operatore.
13. **Non appoggiare mai l'utensile elettrico finché non si è arrestato completamente.** L'accessorio in rotazione potrebbe far presa sulla superficie e tirare l'utensile elettrico facendone perdere il controllo all'operatore.
14. **Dopo la sostituzione delle punte o dopo aver effettuato qualsiasi regolazione, accertarsi che il dado della bussola di chiusura, il portapunta o qualsiasi altro dispositivo di regolazione sia serrato saldamente.** Dispositivi di regolazione allentati potrebbero spostarsi inaspettatamente causando la perdita del controllo, e le parti rotanti allentate verrebbero scagliate con violenza.
15. **Non far funzionare l'utensile elettrico mentre lo si trasporta sul proprio fianco.** Un contatto accidentale con l'accessorio in rotazione potrebbe far impigliare gli indumenti, tirando l'accessorio contro il corpo dell'operatore.
16. **Pulire regolarmente le aperture di ventilazione dell'utensile elettrico.** La ventola del motore attira la polvere all'interno dell'alloggiamento, e l'accumulazione eccessiva di polvere metallica potrebbe causare pericoli di natura elettrica.
17. **Non far funzionare l'utensile elettrico in prossimità di materiali infiammabili.** Le scintille sprigionate potrebbero dare fuoco a tali materiali.
18. **Non utilizzare accessori che richiedano refrigeranti liquidi.** L'impiego di acqua o di altri refrigeranti liquidi potrebbe causare la folgorazione o scosse elettriche.

#### **Contraccolpo e avvertenze correlate**

Il contraccolpo è una reazione improvvisa a un disco, un cilindro abrasivo, una spazzola o un qualsiasi altro accessorio in rotazione che restino incastrati o

impigliati. L'accessorio in rotazione incastrato o impigliato subisce un rapido stallo, che a sua volta spinge l'utensile elettrico fuori controllo nella direzione opposta alla rotazione dell'accessorio.

Ad esempio, qualora un disco abrasivo resti incastrato o impigliato nel pezzo, il filo del disco che entra nel punto di inceppamento può scavare nella superficie del materiale, causando la fuoriuscita o il contraccolpo del disco verso l'esterno. Il disco potrebbe saltare verso l'operatore o lontano da quest'ultimo, a seconda della direzione del movimento del disco nel punto di inceppamento. In queste condizioni, i dischi abrasivi potrebbero anche rompersi.

Il contraccolpo è il risultato dell'uso improprio dell'utensile elettrico e/o di procedure o condizioni operative errate, e può essere evitato adottando le precauzioni appropriate indicate di seguito.

1. **Mantenere una salda presa sull'utensile elettrico e posizionare il corpo e il braccio in modo da poter resistere alle forze dei contraccolpi.** L'operatore può controllare le forze dei contraccolpi, se adotta le precauzioni appropriate.
2. **Fare particolarmente attenzione quando si intende lavorare su angoli, bordi acuti, e così via. Evitare che l'accessorio rimbalzi o resti impigliato.** Gli angoli, i bordi acuti o i rimbalzi tendono a far impigliare l'accessorio in rotazione e a causare la perdita di controllo o il contraccolpo.
3. **Non montare lame dentate.** Tali lame causano frequenti contraccolpi e perdite di controllo.
4. **Fare sempre procedere la punta nel materiale nella stessa direzione in cui il bordo di taglio esce dal materiale (che è la stessa direzione di espulsione dei trucioli).** Se si fa procedere l'utensile nella direzione errata, si causa la fuoriuscita dal pezzo del bordo di taglio della punta, e l'utensile viene tirato nella direzione di questo movimento.
5. **Quando si utilizzano lime rotanti, mole troncatrici, frese ad alta velocità o frese al carburo di tungsteno, fissare saldamente con delle morse il pezzo in lavorazione.** Questi dischi si incastrano, se vengono leggermente inclinati in una scanalatura, e possono causare un contraccolpo. Quando una mola troncatrice si incastra, il disco stesso di solito si spacca. Quando una lima rotante, una fresa ad alta velocità o una fresa al carburo di tungsteno si incastra, potrebbe saltare via dalla scanalatura, e l'utilizzatore potrebbe perdere il controllo dell'utensile.

**Avvertenze di sicurezza specifiche per operazioni di smerigliatura e di troncatura abrasiva:**

1. **Utilizzare solo i tipi di dischi consigliati per l'utensile elettrico utilizzato e solo per le applicazioni consigliate. Ad esempio: non smerigliare con la superficie laterale di una mola troncatrice.** Le mole troncatrici abrasive sono destinate alla smerigliatura periferica, e le forze laterali applicate a questi dischi potrebbero causarne la frantumazione.
2. **Non spingere forzatamente una mola troncatrice né applicare una pressione eccessiva. Non tentare di realizzare tagli eccessivamente profondi.** La sollecitazione eccessiva del disco incrementa il carico e la suscettibilità alla torsione o all'inceppamento del disco nel taglio, nonché la

possibilità di contraccolpi o di rottura del disco.

3. **Non posizionare la mano in linea con il disco in rotazione o dietro quest'ultimo.** Quando il disco, sul punto della lavorazione, si allontana dalla mano, un possibile contraccolpo potrebbe scagliare il disco in rotazione e l'utensile elettrico direttamente verso l'operatore.
4. **Quando un disco si incastra o si impiglia, o quando si intende interrompere un taglio per un qualsiasi motivo, spegnere l'utensile elettrico e mantenerlo immobile fino all'arresto completo del disco. Non tentare mai di rimuovere la mola troncatrice dal taglio mentre il disco è in movimento; in caso contrario, si potrebbe verificare un contraccolpo.** Indagare e adottare misure correttive per eliminare la causa che ha fatto inceppare o impigliare il disco.
5. **Non riavviare l'operazione di taglio all'interno del pezzo in lavorazione. Lasciare che il disco raggiunga la piena velocità e rientrare con attenzione nel taglio.** Qualora si riavvii l'utensile elettrico all'interno del pezzo in lavorazione, il disco potrebbe incepparsi, rialzarsi o causare un contraccolpo.
6. **Supportare i pannelli o qualsiasi pezzo in lavorazione di grandi dimensioni, per ridurre al minimo il rischio che il disco resti incastrato e causi contraccolpi.** I pezzi in lavorazione di grandi dimensioni tendono a curvarsi sotto il proprio peso. Dei supporti devono essere posizionati sotto il pezzo in lavorazione, in prossimità della linea di taglio e del bordo del pezzo in lavorazione, da entrambi i lati del disco.
7. **Fare particolarmente attenzione quando si intende eseguire un "taglio di cavità" su pareti esistenti o altre aree cieche.** Il disco che sporge potrebbe tagliare tubi del gas o dell'acqua, cavi elettrici oppure oggetti che possono causare contraccolpi.

**Avvertenze di sicurezza specifiche per le operazioni di spazzolatura metallica:**

1. **Tenere presente che le setole in filo metallico vengono scagliate via dalla spazzola anche durante il funzionamento normale. Non solleccare eccessivamente i fili metallici applicando un carico eccessivo sulla spazzola.** Le setole in filo metallico possono penetrare facilmente negli abiti leggeri e/o nella pelle.
2. **Lasciar girare le spazzole alla velocità di funzionamento per almeno un minuto, prima di utilizzarle.** Durante questo periodo nessuno deve trovarsi davanti alla spazzola o in linea con quest'ultima. Durante il periodo di rodaggio, vengono emessi setole o fili metallici allentati.
3. **Indirizzare l'emissione di materiale dalla spazzola metallica in rotazione lontano da sé.** Piccole particelle e minuscoli frammenti di filo metallico vengono scaricati ad alta velocità durante l'uso di queste spazzole, e potrebbero restare conficcati nella pelle.

**Avvertenze aggiuntive per la sicurezza:**

1. **L'utensile è destinato all'uso con punte a disco abrasivo legato (mole) montate permanentemente su mandrini (codoli) normali e senza filettatura.**

2. Accertarsi che il disco non sia in contatto con il pezzo prima di attivare l'interruttore.
  3. Prima di utilizzare l'utensile su un pezzo effettivo, lasciarlo girare per qualche momento. Controllare l'eventuale presenza di vibrazioni od oscillazioni, che potrebbero denotare un'installazione errata del disco o un disco bilanciato male.
  4. Utilizzare la superficie specificata del disco per eseguire la smerigliatura.
  5. Fare attenzione alle scintille volanti. Tenere l'utensile in modo che le scintille vengano scagliate lontano dall'operatore e da altre persone o materiali infiammabili.
  6. Non lasciare l'utensile mentre è in funzione. Far funzionare l'utensile solo tenendolo in mano.
  7. Non toccare il pezzo subito dopo averlo lavorato con l'utensile; la temperatura del pezzo potrebbe essere estremamente elevata e causare ustioni.
  8. Osservare le istruzioni del produttore per il corretto montaggio e utilizzo dei dischi. Maneggiare e conservare i dischi con cura.
  9. Controllare che il pezzo sia supportato correttamente.
  10. Non utilizzare l'utensile su materiali contenenti amianto.
  11. Accertarsi sempre di essere saldamente in equilibrio sui piedi. Quando si intende utilizzare l'utensile in ubicazioni elevate, accertarsi che non sia presente alcuna persona sotto di sé.
5. **Non cortocircuitare la cartuccia della batteria:**
    - (1) Non toccare i terminali con alcun materiale conduttivo.
    - (2) Evitare di conservare la cartuccia della batteria in un contenitore insieme ad altri oggetti metallici quali chiodi, monete, e così via.
    - (3) Non esporre la cartuccia della batteria all'acqua o alla pioggia.

Un cortocircuito della batteria può causare un grande flusso di corrente, un surriscaldamento, possibili ustioni e persino un guasto.
  6. Non conservare e utilizzare l'utensile e la cartuccia della batteria in ubicazioni in cui la temperatura possa raggiungere o superare i 50 °C.
  7. Non incenerire la cartuccia della batteria anche qualora sia gravemente danneggiata o completamente esaurita. La cartuccia della batteria può esplodere se a contatto con il fuoco.
  8. Non inchiodare, tagliare, schiacciare, lanciare o far cadere la cartuccia della batteria, né farla urtare con forza contro un oggetto duro. Questi comportamenti potrebbero risultare in un incendio, calore eccessivo o un'esplosione.
  9. Non utilizzare una batteria danneggiata.
  10. Le batterie a ioni di litio contenute sono soggette ai requisiti del regolamento sul trasporto di merci pericolose (Dangerous Goods Legislation).

Per trasporti commerciali, ad esempio da parte di terzi o spedizionieri, è necessario osservare dei requisiti speciali sull'imballaggio e sull'etichetta. Per la preparazione dell'articolo da spedire, è richiesta la consulenza di un esperto in materiali pericolosi. Attenersi anche alle normative nazionali, che potrebbero essere più dettagliate. Nastrire o coprire i contatti aperti e imballare la batteria in modo tale che non si possa muovere liberamente all'interno dell'imballaggio.

## CONSERVARE LE PRESENTI ISTRUZIONI.

**⚠AVVERTIMENTO:** NON lasciare che comodità o la familiarità d'utilizzo con il prodotto (acquisita con l'uso ripetuto) sostituisca la stretta osservanza delle norme di sicurezza per il prodotto in questione. L'USO IMPROPRIO o la mancata osservanza delle norme di sicurezza indicate nel presente manuale di istruzioni potrebbero causare gravi lesioni personali.

### Istruzioni di sicurezza importanti per la cartuccia della batteria

1. Prima di utilizzare la cartuccia della batteria, leggere tutte le istruzioni e le avvertenze riportate (1) sul caricabatteria, (2) sulla batteria e (3) sul prodotto che utilizza la batteria.
2. Non smantellare né manomettere la cartuccia della batteria. In caso contrario, si potrebbe causare un incendio, calore eccessivo o un'esplosione.
3. Qualora il tempo di utilizzo si riduca eccessivamente, interrompere immediatamente l'utilizzo dell'utensile. In caso contrario, si può incorrere nel rischio di surriscaldamento, possibili ustioni e persino un'esplosione.
4. Qualora l'elettrolita entri in contatto con gli occhi, sciacquarli con acqua pulita e richiedere immediatamente assistenza medica.
11. Quando si intende smaltire la cartuccia della batteria, rimuoverla dall'utensile e smaltirla in un luogo sicuro. Attenersi alle normative locali relative allo smaltimento della batteria.
12. Utilizzare le batterie esclusivamente con i prodotti specificati da Makita. L'installazione delle batterie in prodotti non compatibili potrebbe risultare in incendi, calore eccessivo, esplosioni o perdite di liquido elettrolitico.
13. Se l'utensile non viene utilizzato per un periodo di tempo prolungato, la batteria deve essere rimossa dall'utensile.
14. Durante e dopo l'uso, la cartuccia della batteria potrebbe assorbire calore, che può causare ustioni o ustioni a bassa temperatura. Fare attenzione a come si maneggiano le cartucce delle batterie estremamente calde.
15. Non toccare i terminali dell'utensile subito dopo l'uso, in quanto potrebbero diventare estremamente caldi al punto da causare ustioni.
16. Evitare di far incastrare schegge, polveri o terreno nei terminali, nei fori e nelle scanalature

della cartuccia della batteria. In caso contrario, l'utensile o la cartuccia della batteria potrebbero riscaldarsi, prendere fuoco, scoppiare o guastarsi, causando ustioni o lesioni personali.

17. **A meno che l'utensile supporti l'uso in prossimità di linee elettriche ad alta tensione, non utilizzare la cartuccia della batteria in prossimità di linee elettriche ad alta tensione.** In caso contrario, si potrebbe causare un malfunzionamento o la rottura dell'utensile o della cartuccia della batteria.
18. **Tenere la batteria lontana dai bambini.**

## CONSERVARE LE PRESENTI ISTRUZIONI.

**ATTENZIONE:** Utilizzare solo batterie originali Makita. L'utilizzo di batterie Makita non originali, o di batterie che siano state alterate, potrebbe risultare nello scoppio della batteria, causando incendi, lesioni personali e danni. Inoltre, ciò potrebbe invalidare la garanzia Makita per l'utensile e il caricabatterie Makita.

**AVVISO:** Makita non si assume alcuna responsabilità per eventuali incidenti derivanti dall'utilizzo di batterie Makita non originali o di batterie che siano state modificate. Le batterie Makita originali sono state valutate in modo rigoroso per la compatibilità con utensili e caricabatterie Makita, in linea con la normativa e gli standard di sicurezza applicabili.

## Suggerimenti per preservare la durata massima della batteria

1. **Caricare la cartuccia della batteria prima che si scarichi completamente. Smettere sempre di utilizzare l'utensile e caricare la cartuccia della batteria quando si nota che la potenza dell'utensile è diminuita.**
2. **Non ricaricare mai una cartuccia della batteria completamente carica. La sovraccarica riduce la vita utile della batteria.**
3. **Caricare la cartuccia della batteria a una temperatura ambiente compresa tra 10 °C e 40 °C. Lasciar raffreddare una cartuccia della batteria prima di caricarla.**
4. **Quando non si utilizza la cartuccia della batteria, rimuoverla dall'utensile o dal caricabatterie.**
5. **Caricare la cartuccia della batteria se non la si è utilizzata per un periodo di tempo prolungato (più di sei mesi).**

## DESCRIZIONE DELLE FUNZIONI

**AVVERTIMENTO:** Accertarsi sempre che l'utensile sia spento e che la cartuccia della batteria sia stata rimossa prima di regolare o di controllare il funzionamento dell'utensile.

## Installazione o rimozione della cartuccia della batteria

**ATTENZIONE:** Spegnerne sempre l'utensile prima di installare o rimuovere la cartuccia della batteria.

**ATTENZIONE:** Mantenere saldamente lo strumento e la batteria quando si intende installare o rimuovere la cartuccia della batteria. Qualora non si mantengano saldamente lo strumento e la cartuccia della batteria, questi ultimi potrebbero scivolare dalle mani, con la possibilità di causare un danneggiamento dello strumento e della cartuccia della batteria, nonché una lesione personale.

Per installare la cartuccia della batteria, allineare la linguetta sulla cartuccia della batteria con la scanalatura nell'alloggiamento e farla scivolare in sede. Inserirla completamente fino al suo blocco in sede con un leggero scatto. Se è possibile vedere l'indicatore rosso, come indicato nella figura, non è bloccata completamente.

Per rimuovere la cartuccia della batteria, farla scorrere via dall'utensile mentre si fa scorrere allo stesso tempo il pulsante sulla parte anteriore della cartuccia.

► **Fig.1:** 1. Indicatore rosso 2. Pulsante 3. Cartuccia della batteria

**ATTENZIONE:** Installare sempre fino in fondo la cartuccia della batteria, fino a quando l'indicatore rosso non è più visibile. In caso contrario, la batteria potrebbe cadere accidentalmente dall'utensile, causando lesioni personali all'operatore o a chi gli è vicino.

**ATTENZIONE:** Non installare forzatamente la cartuccia della batteria. Qualora la batteria non si inserisca scorrendo agevolmente, vuol dire che non viene inserita correttamente.

## Indicazione della carica residua della batteria

Premere il pulsante di controllo sulla cartuccia della batteria per indicare la carica residua della batteria. Gli indicatori luminosi si illuminano per alcuni secondi.

► **Fig.2:** 1. Indicatori luminosi 2. Pulsante di controllo

Indicatori luminosi			Carica residua
■ Illuminato	□ Spento	▬ Lampeggiante	
■ ■ ■ ■			Dal 75% al 100%
■ ■ ■ □			Dal 50% al 75%
■ ■ □ □			Dal 25% al 50%
■ □ □ □			Dallo 0% al 25%
▬ □ □ □			Caricare la batteria.
■ ■ □ □ ↑ ↓ □ □ ■ ■			La batteria potrebbe essersi guastata.

**NOTA:** A seconda delle condizioni d'uso e della temperatura ambiente, l'indicazione potrebbe variare leggermente rispetto alla carica effettiva.

**NOTA:** Il primo indicatore luminoso (all'estremità sinistra) lampeggia quando il sistema di protezione della batteria è in funzione.

## Sistema di protezione strumento/batteria

L'utensile è dotato di un sistema di protezione dell'utensile stesso e della batteria. Tale sistema interrompe automaticamente l'alimentazione al motore per prolungare la vita utile dell'utensile e della batteria. L'utensile si arresta automaticamente durante il funzionamento, qualora l'utensile o la batteria vengano a trovarsi in una delle condizioni seguenti:

### Protezione dal sovraccarico

Quando l'utensile o la batteria vengono utilizzati in modo tale da causare un assorbimento di corrente elevato in modo anomalo, l'utensile si arresta automaticamente senza alcuna indicazione. In tale situazione, spegnere l'utensile e interrompere l'applicazione che ha causato il sovraccarico dell'utensile. Quindi, accendere l'utensile per ricominciare.

### Protezione dal surriscaldamento

Quando l'utensile o la batteria sono surriscaldati, l'utensile si arresta automaticamente e la lampada lampeggia. Lasciar raffreddare l'utensile prima di riaccenderlo.

### Protezione dalla sovrascarica

Quando la carica della batteria non è sufficiente, l'utensile si arresta automaticamente. In tal caso, rimuovere la batteria dall'utensile e caricarla.

## Annullamento del blocco di protezione

Quando il sistema di protezione si attiva ripetutamente, l'utensile viene bloccato.

In questa situazione, l'utensile non si avvia anche se lo si spegne e lo si riaccende. Per annullare il blocco di protezione, rimuovere la batteria, inserirla nel caricabatterie e attendere che la carica sia terminata.

## Protezione da altre cause

Il sistema di protezione è progettato anche per altre cause che potrebbero danneggiare l'utensile, e consente all'utensile di arrestarsi automaticamente. Adottare tutte le misure seguenti per rimuovere le cause, quando l'utensile è stato portato a un'interruzione temporanea o a un arresto del funzionamento.

1. Accertarsi che tutti gli interruttori siano nella posizione di spegnimento, quindi riaccendere l'utensile per ricominciare.
2. Caricare la batteria o le batterie, o sostituirla/sostituirele con una batteria o delle batterie ricaricate.
3. Lasciar raffreddare l'utensile e la batteria o le batterie.

Qualora non si riscontri alcun miglioramento ripristinando il sistema di protezione, contattare il proprio centro di assistenza locale Makita.

## Blocco albero

**⚠AVVERTIMENTO:** Non utilizzare mai il blocco albero mentre il mandrino è in movimento. In caso contrario, si potrebbero causare lesioni personali o il danneggiamento dell'utensile.

**⚠AVVERTIMENTO:** Accertarsi che il blocco albero torni completamente alla sua posizione originale dopo averlo rilasciato.

Premere il blocco albero per impedire la rotazione del mandrino quando si intende installare o rimuovere gli accessori.

► Fig.3: 1. Blocco albero

## Utilizzo dell'interruttore

Solo per il modello GD001G

**⚠ATTENZIONE:** Prima di installare la cartuccia della batteria nell'utensile, accertarsi sempre che l'interruttore scorrevole funzioni correttamente e che torni sulla posizione "OFF" quando si preme la parte posteriore dell'interruttore scorrevole.

**⚠ATTENZIONE:** L'interruttore può essere bloccato sulla posizione "ON" per la comodità dell'operatore durante l'uso prolungato. Fare attenzione quando si blocca l'utensile sulla posizione "ON", e mantenere una salda presa sull'utensile.

Per avviare l'utensile, far scorrere l'interruttore scorrevole verso la posizione "I" (ACCESO). Per il funzionamento continuo, premere verso il basso l'estremità anteriore dell'interruttore scorrevole per bloccarlo.

Per arrestare l'utensile, premere verso il basso l'estremità posteriore dell'interruttore scorrevole, quindi farla scorrere verso la posizione "O (SPENTO)".

► Fig.4: 1. Interruttore scorrevole

*Solo per il modello GD002G*

**⚠ATTENZIONE:** Prima di installare la cartuccia della batteria nell'utensile, verificare sempre che l'interruttore a leva funzioni correttamente e torni sulla posizione "SPENTO" quando lo si rilascia.

**⚠ATTENZIONE:** Per la sicurezza dell'operatore, questo utensile è dotato di una leva di sblocco, che evita l'avvio accidentale dell'utensile. Non utilizzare MAI l'utensile qualora si avvii semplicemente premendo l'interruttore a leva senza tirare la leva di sblocco. Portare l'utensile a un nostro centro di assistenza autorizzato per le riparazioni appropriate PRIMA di un ulteriore utilizzo.

**⚠ATTENZIONE:** Non premere con forza l'interruttore a leva senza tirare la leva di sblocco. In caso contrario, si potrebbe causare la rottura dell'interruttore.

**⚠ATTENZIONE:** Non bloccare MAI con del nastro adesivo né rendere inefficace lo scopo e il funzionamento della leva di sblocco.

L'utensile è dotato di una leva di sblocco, per evitare di premere accidentalmente l'interruttore a leva.

Per avviare l'utensile, tirare la leva di sblocco verso l'operatore, quindi premere l'interruttore a leva.

Per arrestare l'utensile, rilasciare l'interruttore a leva.

► Fig.5: 1. Leva di sblocco 2. Interruttore a leva

## Selettore di regolazione della velocità

È possibile modificare la velocità di rotazione dell'utensile ruotando il selettore di regolazione della velocità. La tabella seguente mostra il numero sul selettore e la velocità di rotazione corrispondente.

► Fig.6: 1. Selettore di regolazione della velocità

Numero	Velocità
1	7.000 min <sup>-1</sup>
2	12.500 min <sup>-1</sup>
3	18.000 min <sup>-1</sup>
4	23.500 min <sup>-1</sup>
5	29.000 min <sup>-1</sup>

**AVVISO:** Qualora l'utensile venga fatto funzionare continuamente a bassa velocità per un periodo di tempo prolungato, il motore viene sovraccaricato, causando il malfunzionamento dell'utensile.

**AVVISO:** È possibile ruotare la manopola di regolazione della velocità solo fino a 5 e indietro fino a 1. Non forzarla oltre 5 o 1; in caso contrario, la funzione di regolazione della velocità potrebbe non operare più.

## Accensione della lampada anteriore

**⚠ATTENZIONE:** Non osservare né guardare direttamente la fonte di luce.

La lampada anteriore si illumina per 10 secondi dopo l'installazione della cartuccia della batteria, oppure si illumina in modo continuativo quando l'interruttore è attivato.

La lampada si spegne 10 secondi dopo la disattivazione dell'interruttore.

► Fig.7: 1. Lampada anteriore

## Disattivazione o attivazione dello stato della lampada

Per disattivare o attivare lo stato della lampada, attenersi alla procedura seguente.

1. Inserire la cartuccia della batteria nell'utensile.
2. Impostare il selettore di regolazione della velocità su "5".
3. Ruotare il selettore di regolazione della velocità su "1", quindi reimpostarlo su "5".

**NOTA:** È possibile cambiare lo stato della lampada entro 10 secondi dall'inserimento della cartuccia della batteria. Quando l'interruttore viene attivato, non è possibile cambiare lo stato della lampada, anche entro 10 secondi dall'inserimento della cartuccia della batteria.

**NOTA:** È anche possibile cambiare lo stato della lampada impostando il selettore di regolazione della velocità su "1" - "5" - "1".

**NOTA:** Per impostare di nuovo lo stato della lampada, rimuovere innanzitutto la cartuccia della batteria, quindi regolare il selettore di regolazione della velocità.

**NOTA:** Lo stato della lampada torna all'impostazione in uso al momento in cui l'utensile è stato utilizzato per l'ultima volta.

## Funzione di prevenzione del riavvio accidentale

Quando si installa la cartuccia della batteria mentre l'interruttore è attivato, l'utensile non si avvia.

Per avviare l'utensile, disattivare l'interruttore, quindi riattivarlo.

## Tecnologia di rilevamento attivo della retroazione

L'utensile rileva elettronicamente situazioni in cui la mola o l'accessorio potrebbero correre il rischio di incepparsi. In tale situazione, l'utensile viene spento automaticamente per evitare un'ulteriore rotazione del mandrino (non previene eventuali contraccolpi). Per riavviare l'utensile, innanzitutto spegnerlo, rimuovere la causa della riduzione improvvisa della velocità di rotazione, quindi riaccendere l'utensile.

## Funzione di avvio morbido

La funzione di avvio morbido riduce la reazione di avvio.

## Controllo costante della velocità

Possibilità di ottenere una finitura precisa, poiché la velocità di rotazione viene mantenuta costante anche in condizione di carico.

## Freno elettrico

Il freno elettrico viene attivato dopo lo spegnimento dell'utensile.

Il freno non funziona quando l'alimentazione è disattivata, ad esempio qualora la batteria venga rimossa accidentalmente con l'interruttore ancora attivato.

## MONTAGGIO

**⚠ATTENZIONE:** Accertarsi sempre che l'utensile sia spento e che la cartuccia della batteria sia stata rimossa, prima di effettuare qualsiasi intervento sull'utensile.

### Installazione o rimozione dell'accessorio

**⚠ATTENZIONE:** Utilizzare la pinza delle dimensioni corrette per l'accessorio che si intende utilizzare.

**AVVISO:** Non serrare il dado portapinza senza aver inserito un accessorio. In caso contrario, si può causare la rottura della pinza.

## Uso del blocco albero

Premere saldamente il blocco albero in modo che il mandrino non possa girare. Allentare il dado portapinza in senso antiorario e inserire l'accessorio nel dado portapinza. Serrare il dado portapinza in senso orario utilizzando la chiave.

► **Fig.8:** 1. Blocco albero 2. Chiave 3. Accessorio 4. Dado portapinza

## Utilizzando due chiavi

Allentare il dado portapinza in senso antiorario e inserire l'accessorio nel dado portapinza. Utilizzare una chiave per tenere fermo il mandrino. Utilizzando un'altra chiave, ruotare il dado portapinza in senso orario per serrarlo saldamente.

► **Fig.9:** 1. Chiave 2. Accessorio 3. Dado della busola di chiusura

**NOTA:** Qualora non si riesca a inserire l'accessorio nel dado portapinza dopo aver allentato quest'ultimo, la pinza potrebbe ostacolare l'accessorio. In tal caso, rimuovere il dado portapinza e riposizionare la pinza.

L'accessorio non deve essere montato a più di 10 mm di distanza dal dado portapinza. Una distanza che superi questa misura può causare vibrazioni o la rottura dell'albero.

► **Fig.10**

## Sostituzione della pinza

1. Allentare il dado portapinza e rimuoverlo.
2. Sostituire la pinza installata con la pinza desiderata.
3. Reinstallare il dado portapinza.

► **Fig.11:** 1. Dado portapinza 2. Pinza

Qualora non si riesca a rimuovere la pinza, afferrarla con delle pinze a becco lungo e rimuoverla.

Per evitare la deformazione della pinza, non applicare forza eccessiva quando la si afferra.

► **Fig.12:** 1. Pinza

## FUNZIONAMENTO

**⚠ATTENZIONE:** Applicare una pressione leggera sull'utensile. Una pressione eccessiva sull'utensile causa solo una rifinitura imprecisa e un sovraccarico del motore.

**⚠ATTENZIONE:** L'accessorio continua a girare dopo lo spegnimento dell'utensile.

**⚠ATTENZIONE:** Mantenere saldamente l'utensile con entrambe le mani.

**⚠ATTENZIONE:** Quando si intende utilizzare accessori in vendita sul mercato, accertarsi sempre che la velocità nominale degli accessori sia almeno pari alla velocità massima contrassegnata sull'utensile.

Accendere l'utensile senza far entrare in contatto l'accessorio con il pezzo in lavorazione, e attendere che l'accessorio raggiunga la piena velocità. Quindi, applicare delicatamente l'accessorio sul pezzo in lavorazione.

► **Fig.13**

**NOTA:** Quando si esegue un'operazione di smerigliatura laterale, se si sposta lentamente l'utensile verso sinistra è possibile ottenere una buona finitura.

## MANUTENZIONE

**⚠ATTENZIONE:** Accertarsi sempre che l'utensile sia spento e che la cartuccia della batteria sia stata rimossa prima di tentare di eseguire interventi di ispezione o manutenzione.

**AVVISO:** Non utilizzare mai benzina, benzene, solventi, alcol o altre sostanze simili. In caso contrario, si potrebbero causare scolorimenti, deformazioni o crepe.

Per preservare la SICUREZZA e l’AFFIDABILITÀ del prodotto, le riparazioni e qualsiasi altro intervento di manutenzione e di regolazione devono essere eseguiti da un centro di assistenza autorizzato Makita, utilizzando sempre ricambi Makita.

## Come ravvivare la punta a disco

Quando la punta a disco si ricopre di pezzi e particelle, si consiglia di ravvivare la punta a disco con la pietra rattivamole.

## Pulizia delle aperture di ventilazione

L’utensile e le sue aperture di ventilazione devono essere mantenuti puliti. Pulire le aperture di ventilazione dell’utensile a intervalli regolari, oppure ogni volta che iniziano a ostruirsi.

► **Fig.14:** 1. Apertura di scarico 2. Apertura di aspirazione

Rimuovere la protezione antipolvere dalla presa di aspirazione e pulirla per consentire la circolazione dell’aria senza ostacoli.

► **Fig.15:** 1. Protezione antipolvere

**AVVISO:** Pulire la protezione antipolvere quando è ostruita da polveri o sostanze estranee. Il funzionamento continuativo con una protezione antipolvere ostruita potrebbe danneggiare l’utensile.

## ACCESSORI OPZIONALI

**⚠ATTENZIONE:** Questi accessori o componenti aggiuntivi sono consigliati per l’uso con l’utensile Makita specificato nel presente manuale.

L’impiego di altri accessori o componenti aggiuntivi può costituire un rischio di lesioni alle persone.

Utilizzare gli accessori o i componenti aggiuntivi solo per il loro scopo prefissato.

Per ottenere ulteriori dettagli relativamente a questi accessori, rivolgersi a un centro di assistenza Makita.

- Punta a disco
- Pinza (3 mm, 6 mm, 8 mm, 1/4", 1/8")
- Dado portapinza
- Chiave 13
- Batteria e caricabatterie originali Makita

**NOTA:** Alcuni articoli nell’elenco potrebbero essere inclusi nell’imballaggio dell’utensile come accessori standard. Tali articoli potrebbero variare da nazione a nazione.

## TECHNISCHE GEGEVENS

Model:		GD001G	GD002G
Maat van spankop (afhankelijk van het land)		6 mm of 6,35 mm (1/4")	
Max. maat van accessoire	Max. diameter van slijpstift ■ ■ ■ ■ ■	32 mm	
	Max. diameter van schuurschijf	52 mm	
	Max. diameter van draadborstel	52 mm	
	Max. diameter van polijstschijf	52 mm	
	Max. diameter van kerfaccessoire	52 mm	
	Max. diameter van doorslijpschijf	52 mm	
	Max. lengte van spil (schacht)	46 mm	
Nominaal toerental (n)/Nullasttoerental (n <sub>0</sub> )		7.000 - 29.000 min <sup>-1</sup>	
Totale lengte	met BL4040	458 mm	
Nettogewicht		2,2 - 3,4 kg	
Nominale spanning		Max. 36 V - 40 V gelijkspanning	

- In verband met ononderbroken research en ontwikkeling, behouden wij ons het recht voor de bovenstaande technische gegevens zonder voorafgaande kennisgeving te wijzigen.
- De technische gegevens kunnen van land tot land verschillen.
- De waarde van het nettogewicht is inclusief de lichtste en zwaarste combinatie van de hulpstukken en accu's die worden vermeld in de gebruiksaanwijzing.

### Toepasselijke accu's en laders

Accu	BL4020* / BL4025* / BL4040* / BL4040F* / BL4050F* / BL4080F * : Aanbevolen accu
Lader	DC40RA / DC40RB / DC40RC / DC40WA / BCC01 / BCC02

- Sommige van de hierboven vermelde accu's en laders zijn mogelijk niet leverbaar afhankelijk van waar u woont.

**⚠ WAARSCHUWING:** Gebruik uitsluitend de accu's en laders die hierboven worden genoemd. Gebruik van enige andere accu of lader kan leiden tot letsel en/of brand.

### Toepasbare bekabelde voedingsbron

Draagbare voedingsseenheid	PDC01 / PDC1200 / PDC1500
----------------------------	---------------------------

- De hierboven vermelde bekabelde voedingsbron(nen) is/zijn mogelijk niet leverbaar afhankelijk van waar u woont.
- Alvorens de bekabelde voedingsbron te gebruiken, leest u de instructies en waarschuwingsopdrachten erop.

### Gebruiksdoeleinden

Het gereedschap is bedoeld voor het slijpen van ferromaterialen of het ontbramen van gegoten metaaldelen, naast het schuren, draadborstelen, polijsten, kerven en doorslijpen.

### Geluidsniveau

De typische, A-gewogen geluidsniveaus zijn gemeten volgens EN60745-2-23:

#### Model GD001G

Toepassing	Geluids-druk-niveau (L <sub>pa</sub> ):	Geluidsver-mogenni-veau (L <sub>wa</sub> ):	Onzekerheid (K):
Nullasttoe- rental (kunst- schijf 25 t/m 50 mm)	78 dB(A)	-	3 dB(A)
Nullasttoe- rental (kunst- schijf groter dan 50 mm)	80 dB(A)	91 dB(A)	3 dB(A)

## Model GD002G

Toepassing	Geluids- druk-niveau ( $L_{pA}$ ):	Geluidsver- mogenni- veau ( $L_{WA}$ ):	Onzekerheid (K):
Nullasttoe- rental (kunst- schijf 25 t/m 50 mm)	78 dB(A)	-	3 dB(A)
Nullasttoe- rental (kunst- schijf groter dan 50 mm)	80 dB(A)	91 dB(A)	3 dB(A)

Het geluidsniveau kan tijdens gebruik hoger worden dan 80 dB (A).

**OPMERKING:** De opgegeven geluidsemissiewaarde(n) is/zijn gemeten volgens een standaardtestmethode en kan/kunnen worden gebruikt om dit gereedschap te vergelijken met andere gereedschappen.

**OPMERKING:** De opgegeven geluidsemissiewaarde(n) kan/kunnen ook worden gebruikt voor een beoordeling vooraf van de blootstelling.

**⚠️ WAARSCHUWING:** Draag gehoorbescherming.

**⚠️ WAARSCHUWING:** De geluidsemissie tijdens het gebruik van het elektrisch gereedschap in de praktijk kan verschillen van de opgegeven totale waarde(n) afhankelijk van de manier waarop het gereedschap wordt gebruikt.

**⚠️ WAARSCHUWING:** Zorg ervoor dat veiligheidsmaatregelen worden getroffen ter bescherming van de gebruiker die zijn gebaseerd op een schatting van de blootstelling onder praktijkomstandigheden (rekening houdend met alle fasen van de bedrijfscyclus, zoals de tijdsduur gedurende welke het gereedschap is uitgeschakeld en stationair draait, naast de ingeschakelde tijdsduur).

## Trilling

De continue totale trillingswaarde (triaxiale vectorsom) zoals vastgesteld conform EN60745-2-23:

### Model GD001G

Toepassing	Trillingsemissie ( $a_h$ ):	Onzekerheid (K):
Oppervlak slijpen (kunstschijf 25 t/m 50 mm)	5,4 m/s <sup>2</sup>	1,5 m/s <sup>2</sup>
Oppervlak slijpen (kunstschijf groter dan 50 mm)	15,2 m/s <sup>2</sup>	1,5 m/s <sup>2</sup>

### Model GD002G

Toepassing	Trillingsemissie ( $a_h$ ):	Onzekerheid (K):
Oppervlak slijpen (kunstschijf 25 t/m 50 mm)	5,7 m/s <sup>2</sup>	1,5 m/s <sup>2</sup>
Oppervlak slijpen (kunstschijf groter dan 50 mm)	14,6 m/s <sup>2</sup>	1,5 m/s <sup>2</sup>

**OPMERKING:** De totale trillingswaarde(n) is/zijn gemeten volgens een standaardtestmethode en kan/kunnen worden gebruikt om dit gereedschap te vergelijken met andere gereedschappen.

**OPMERKING:** De opgegeven totale trillingswaarde(n) kan/kunnen ook worden gebruikt voor een beoordeling vooraf van de blootstelling.

**⚠️ WAARSCHUWING:** De trillingsemissie tijdens het gebruik van het elektrisch gereedschap in de praktijk kan verschillen van de opgegeven totale waarde(n) afhankelijk van de manier waarop het gereedschap wordt gebruikt.

**⚠️ WAARSCHUWING:** Zorg ervoor dat veiligheidsmaatregelen worden getroffen ter bescherming van de gebruiker die zijn gebaseerd op een schatting van de blootstelling onder praktijkomstandigheden (rekening houdend met alle fasen van de bedrijfscyclus, zoals de tijdsduur gedurende welke het gereedschap is uitgeschakeld en stationair draait, naast de ingeschakelde tijdsduur).

## Verklaringen van conformiteit

### Alleen voor Europese landen

De verklaringen van conformiteit zijn bijgevoegd in Bijlage A bij deze gebruiksaanwijzing.

## VEILIGHEIDSWAARSCHUWINGEN

### Algemene veiligheidswaarschuwingen voor elektrisch gereedschap

**⚠️ WAARSCHUWING** Lees alle veiligheidswaarschuwingen, instructies, afbeeldingen en technische gegevens die bij dit elektrisch gereedschap worden geleverd. Als niet alle onderstaande instructies worden opgevolgd, kan dat leiden tot een elektrische schok, brand en/of ernstig letsel.

### Bewaar alle waarschuwingen en instructies om in de toekomst te kunnen raadplegen.

De term "elektrisch gereedschap" in de veiligheidsvoorschriften duidt op gereedschappen die op stroom van het lichtnet werken (met snoer) of gereedschappen met een accu (snoerloos).

### Veiligheidswaarschuwingen voor een accustempelslijpmachine

Gemeenschappelijke veiligheidswaarschuwingen voor slijp-, schuur-, draadborstel-, polijst, kerf- en doorslijpwerkzaamheden:

1. Dit elektrisch gereedschap is bedoeld voor gebruik als slijp-, schuur-, draadborstel-,

- polijst-, kerf- of doorslijpgereedschap. Lees alle veiligheidswaarschuwingen, instructies, afbeeldingen en technische gegevens die bij dit elektrisch gereedschap worden geleverd.** Als niet alle onderstaande instructies worden opgevolgd, kan dat leiden tot een elektrische schok, brand en/of ernstig letsel.
2. **Gebruik geen accessoires die niet specifiek zijn ontworpen en aanbevolen door de fabrikant van het gereedschap.** Ook wanneer het accessoire kan worden bevestigd op uw elektrisch gereedschap, is een veilige werking niet gegarandeerd.
  3. **Het nominale toerental van slijpaccessoires moet minstens gelijk zijn aan het maximumtoerental vermeld op het elektrisch gereedschap.** Slijpaccessoires die met een hoger toerental draaien dan hun nominaal toerental kunnen stuk breken en in het rond vliegen.
  4. **De buitendiameter en de dikte van het accessoire moet binnen het capaciteitsbereik van het elektrisch gereedschap vallen.** Accessoires met verkeerde afmetingen kunnen niet afdoende worden beheerst.
  5. **De asgastiameter van schijven, schuurkoppen en eventuele andere accessoires moeten goed passen op de as of in de spankop van het elektrisch gereedschap.** Accessoires die niet overeenkomen met de bevestigingshardware van het elektrisch gereedschap, zullen niet gebalanceerd draaien en buitensporig trillen, en kunnen leiden tot verlies van controle over het gereedschap.
  6. **Met een spil gemonteerde schijven, schuurkoppen, frezen of andere accessoires moeten volledig in de spankop of klembus worden gestoken.** Als de spil onvoldoende wordt vastgeklemd en/of de schijf te ver uitsteekt, kan het aangebrachte accessoire losraken en met hoge snelheid worden weggegooid.
  7. **Gebruik nooit een beschadigd accessoire. Inspecteer het accessoire vóór ieder gebruik, bijvoorbeeld een slijpschijf op ontbrekende schijfers en barsten, een schuurkop op barsten, scheuren of buitensporige slijtage, en een draadborstel op losse of gebroken draden. Nadat het elektrisch gereedschap of accessoire is gevallen, inspecteert u het op schade of monteert u een onbeschadigd accessoire. Na inspectie en montage van een accessoire, zorgt u ervoor dat u en omstanders niet in het rotatievlak van het accessoire staan, en laat u het elektrisch gereedschap draaien op het maximale, onbelaste toerental gedurende één minuut.** Beschadigde accessoires breken normaal gesproken in stukken gedurende deze testduur.
  8. **Gebruik persoonlijke-veiligheidsmiddelen.** Afhankelijk van de toepassing gebruikt u een spatscherm, een beschermende bril of een veiligheidsbril. Al naar gelang van toepassing draagt u een stofmasker, gehoorbeschermers, handschoenen en een werkschoot die in staat zijn kleine stukjes slijpsel of werkstukfragmenten te weerstaan. De oogbescherming moet in staat zijn rondvliegend afval te stoppen dat ontstaat bij de diverse werkzaamheden. Het stofmasker of ademhalingsapparaat moet in staat zijn deeltjes te filteren die ontstaan bij de werkzaamheden. Langdurige blootstelling aan zeer intens geluid kan leiden tot gehoorbeschadiging.
  9. **Houd omstanders op veilige afstand van het werkgebied. Iedereen die zich binnen het werkgebied begeeft, moet persoonlijke-veiligheidsmiddelen gebruiken.** Fragmenten van het werkstuk of van een uiteengevallen accessoire kunnen rondvliegen en letsel veroorzaken buiten de onmiddellijke werkomgeving.
  10. **Houd het elektrisch gereedschap uitsluitend vast aan het geïsoleerde oppervlak van de handgrepen wanneer u werkt op plaatsen waar het slijpaccessoire met verborgen bedrading in aanraking kan komen.** Wanneer het slijpaccessoire in aanraking komt met onder spanning staande draden, zullen de niet-geïsoleerde metalen delen van het gereedschap onder spanning komen te staan zodat de gebruiker een elektrische schok kan krijgen.
  11. **Houd het gereedschap altijd stevig in uw hand(en) vast tijdens het inschakelen.** Het reactiekoppel van de motor, bij het versnellen naar volledig toerental, kan ertoe leiden dat het gereedschap verdraait.
  12. **Gebruik, indien dit praktisch mogelijk is, klemmen om het werkstuk vast te zetten. Houd een klein werkstuk nooit in één hand vast en het gereedschap in de andere hand terwijl het in gebruik is.** Door een klein werkstuk vast te klemmen kunt u uw hand(en) gebruiken om het gereedschap te controleren. Rond materiaal, zoals stangen, pijpen en slangen, neigen weg te rollen tijdens het bewerken, waardoor het bit kan vastlopen of naar u toe kan springen.
  13. **Leg het elektrisch gereedschap nooit neer voordat het accessoire volledig tot stilstand is gekomen.** Het ronddraaiende accessoire kan de ondergrond pakken zodat u de controle over het elektrisch gereedschap verliest.
  14. **Na het verwisselen van het bit of maken van afstellingen, controleert u of de spanmoer, klembus of enige andere afstelinrichting stevig vastgedraaid is.** Loszittende afstelinrichtingen kunnen zich onverwacht verplaatsen, waardoor u de controle kunt verliezen en loszittende, draaiende componenten met geweld kunnen worden weggegooid.
  15. **Laat het elektrisch gereedschap niet draaien terwijl u het naast u draagt.** Als het ronddraaiende accessoire u per ongeluk raakt, kan het verstrikt raken in uw kleding waardoor het accessoire in uw lichaam wordt getrokken.
  16. **Maak de ventilatieopeningen van het gereedschap regelmatig schoon.** De ventilator van de motor zal het stof de behuizing in trekken, en een grote opeenhoping van metaalslijpsel kan leiden tot elektrische gevaarlijke situaties.
  17. **Gebruik het elektrisch gereedschap niet in de buurt van brandbare materialen.** Vonken kunnen deze materialen doen ontvlammen.
  18. **Gebruik geen accessoires die met vloeistof moeten worden gekoeld.** Het gebruik van water of andere vloeibare koelmiddelen kan leiden tot elektrocutie of elektrische schokken.

## Terugslag en aanverwante waarschuwingen

Terugslag is een plotselinge reactie op een beknelde of vastgelopen draaiende schijf, schuurband, borstel of enig ander accessoire. Beknellen of vastlopen veroorzaakt een snelle stilstand van het draaiende accessoire wat op zijn beurt ertoe leidt dat het elektrisch gereedschap zich ongecontroleerd beweegt in de tegenovergestelde richting van de draairichting van het accessoire.

Bijvoorbeeld, als een slijpstift bekneld raakt of vastloopt in het werkstuk, kan de rand van de stift die het beknellingspunt ingaat, zich invreten in het oppervlak van het materiaal waardoor de stift eruit klimt of eruit slaat. De stift kan daarbij naar de gebruiker toe of weg springen, afhankelijk van de draairichting van de stift op het beknellingspunt. Slijpstiften kunnen in dergelijke situaties ook breken.

Terugslag is het gevolg van misbruik van het elektrisch gereedschap en/of onjuiste gebruiksprocedures of -omstandigheden, en kan worden voorkomen door goede voorzorgsmaatregelen te treffen, zoals hieronder vermeld.

1. **Houd het elektrisch gereedschap stevig vast en houd uw armen en lichaam zodanig dat u in staat bent een terugslag op te vangen.** De gebruiker kan de kracht van een terugslag opvangen indien de juiste voorzorgsmaatregelen zijn getroffen.
2. **Wees bijzonder voorzichtig bij het werken met hoeken, scherpe randen, enz. Voorkom dat het accessoire springt of bekneld raakt.** Hoeken, scherpe randen of springen veroorzaken vaak beknellen van het draaiende accessoire wat leidt tot terugslag of verlies van controle over het gereedschap.
3. **Breng geen getand zaagblad aan.** Dergelijke accessoires leiden vaak tot terugslag of verlies van controle over het gereedschap.
4. **Zet het bit altijd in het materiaal in dezelfde richting waarin de snijkant het materiaal verlaat (wat dezelfde richting is waarin de materiaaldeeltjes worden weggeworpen).** Wanneer het gereedschap in de verkeerde richting wordt aangezet, zal de snijkant van het bit uit het materiaal klimmen en het gereedschap in de richting van deze aanzet trekken.
5. **Bij gebruik van een roterende vijl, doorslijpschijf, frees voor hoge toerentallen of hardmetalen frees, moet het werkstuk altijd stevig worden vastgeklemd.** Dergelijke schijven zullen zich invreten als ze in de groef iets schuin gehouden worden en terugslaan. Als een doorslijpschijf zich invreet, breekt doorgaans de schijf zelf. Als een roterende vijl, frees voor hoge toerentallen of hardmetalen frees zich invreet, kan deze uit de groef springen en kunt u de controle over het gereedschap verliezen.

## Veiligheidswaarschuwingen specifiek voor slijp- en doorslijpwerkzaamheden:

1. **Gebruik uitsluitend schijven van het type aanbevolen voor uw elektrisch gereedschap en uitsluitend voor de aanbevolen toepassingen.** Bijvoorbeeld: u mag niet slijpen met de zijkant van een doorslijpschijf. Doorslijpschijven zijn bedoeld voor slijpen met de rand. Krachten op het zijoppervlak kunnen deze schijven doen breken.

2. **Laat de doorslijpschijf niet vastlopen en oefen geen buitensporige druk erop uit. Probeer niet een buitensporig diepe snede te slijpen.** Een te grote kracht op de schijf verhoogt de belasting en de kans dat de schijf in de snede verdraait of vastloopt, waardoor terugslag kan optreden of de schijf kan breken.
3. **Plaats uw hand niet in één lijn achter de ronddraaiende schijf.** Wanneer de schijf, op het aanzetpunt in het werkstuk, zich van uw hand af beweegt, kunnen door de mogelijke terugslag de draaiende schijf en het elektrisch gereedschap in uw richting worden geworpen.
4. **Wanneer de schijf bekneld raakt of vastloopt, of u een snede onderbreekt, schakelt u het elektrisch gereedschap uit en houdt u dit stil totdat de schijf volledig tot stilstand is gekomen. Probeer nooit de doorslijpschijf uit de snede te halen terwijl de schijf nog draait omdat hierdoor een terugslag kan optreden.** Onderzoek waarom de schijf is bekneld is geraakt of is vastgelopen en tref afdoende maatregelen om de oorzaak ervan op te heffen.
5. **Begin niet met doorslijpen terwijl de schijf al in het werkstuk steekt. Wacht totdat de schijf op maximaal toerental draait en breng daarna de schijf voorzichtig terug in de snede.** Wanneer het elektrisch gereedschap opnieuw wordt gestart terwijl de schijf al in het werkstuk steekt, kan de schijf vastlopen, omhoog lopen of terugslaan.
6. **Ondersteun platen en grote werkstukken om de kans op het beknellen van de schijf en terugslag te minimaliseren.** Grote werkstukken neigen door te zakken onder hun eigen gewicht. U moet het werkstuk ondersteunen vlakbij de snijlijn en vlakbij de rand van het werkstuk aan beide kanten van de schijf.
7. **Wees extra voorzichtig bij het maken van een invalsneede in bestaande wanden of op andere plaats waarvan u de onderkant niet kunt zien.** De uitstekende schijf kan gas- of waterleidingen, elektrische bedrading of voorwerpen die terugslag veroorzaken raken.

## Veiligheidswaarschuwingen specifiek voor draadborstelwerkzaamheden:

1. **Wees erop bedacht dat ook tijdens normaal gebruik borstelraden door de borstel worden rondgeslingerd. Oefen niet te veel kracht uit op de borstelraden door een te hoge belasting van de borstel.** De borstelraden kunnen met gemak door dunne kleding en/of de huid dringen.
2. **Laat een borstel gedurende minstens één minuut op bedrijfstoerental draaien voordat u hem gebruikt. Gedurende deze tijd mag niemand vóór of in de in van de borstel staan.** Losse borsteldraadjes zullen tijdens deze inlooptijd worden weggeworpen.
3. **Richt de uitgeworpen draadjes van de draaiende draadborstel van u af.** Kleine deeltjes en stukjes draad kunnen tijdens het gebruik van deze borstels op hoge snelheid worden weggeworpen en binnendringen in uw huid.

## Aanvullende veiligheidswaarschuwingen:

1. **Het gereedschap is bedoeld voor gebruik met gelijmde slijpstiften (slijpstenen) die**

- permanent zijn aangebracht op een gladde spil (schacht) zonder schroefdraad.
2. Zorg ervoor dat de stift niet in aanraking is met het werkstuk voordat u het gereedschap hebt ingeschakeld.
  3. Laat het gereedschap een tijdje draaien voordat u het op een werkstuk gaat gebruiken. Controleer op trillingen of schommelingen die op onjuiste montage of een slecht uitgebalanceerde stift kunnen wijzen.
  4. Gebruik de aangegeven kant van de schijf om mee te slijpen.
  5. Wees alert op rondvliegende vonken. Houd het gereedschap zodanig vast dat de vonken wegvliegen van u en andere personen of brandbare materialen.
  6. Laat het gereedschap niet ingeschakeld liggen. Bedien het gereedschap alleen wanneer u het vasthoudt.
  7. Raak het werkstuk niet onmiddellijk na gebruik aan. Deze kan bijzonder heet zijn en brandwonden op uw huid veroorzaken.
  8. Houd u aan de instructies van de fabrikant voor juiste montage en gebruik van de stiften. Behandel en bewaar de stiften zorgvuldig.
  9. Controleer dat het werkstuk goed wordt ondersteund.
  10. Gebruik het gereedschap niet op materiaal dat asbest bevat.
  11. Zorg er altijd voor dat u stevig staat. Zorg ervoor dat er niemand zich onder u bevindt wanneer u het gereedschap op een hoge plaats gebruikt.

## BEWAAR DEZE INSTRUCTIES.

**⚠ WAARSCHUWING:** Laat u NIET misleiden door een vals gevoel van comfort en bekendheid met het gereedschap (na veelvuldig gebruik) en neem alle veiligheidsvoorschriften van het betreffende gereedschap altijd strikt in acht. **VERKEERD GEBRUIK** of het niet naleven van de veiligheidsvoorschriften in deze gebruiksaanwijzing kan leiden tot ernstig persoonlijk letsel.

## Belangrijke veiligheidsinstructies voor een accu

1. Lees alle voorschriften en waarschuwingen op (1) de acculader, (2) de accu, en (3) het product waarvoor de accu wordt gebruikt, alvorens de accu in gebruik te nemen.
  2. Haal de accu niet uit elkaar en saboteer hem niet. Dit kan leiden tot brand, buitensporige hitte of een explosie.
  3. Als de gebruikstijd van een opgeladen accu aanzienlijk korter is geworden, moet u het gebruik ervan onmiddellijk stopzetten. Voortgezet gebruik kan oververhitting, brandwonden en zelfs een ontploffing veroorzaken.
  4. Als elektrolyt in uw ogen is terechtgekomen, spoelt u uw ogen met schoon water en roept u onmiddellijk de hulp van een dokter in. Elektrolyt in de ogen kan blindheid veroorzaken.
5. **Vorkom kortsluiting van de accu:**
    - (1) Raak de accuklemmen nooit aan met een geleidend materiaal.
    - (2) Bewaar de accu niet in een bak waarin andere metalen voorwerpen zoals spijkers, munten e.d. worden bewaard.
    - (3) Stel de accu niet bloot aan water of regen.
  6. **Kortsluiting van de accu kan oorzaak zijn van een grote stroomafgifte, oververhitting, brandwonden, en zelfs defecten.**
  7. **Bewaar en gebruik het gereedschap en de accu niet op plaatsen waar de temperatuur kan oplopen tot 50 °C of hoger.**
  8. **Werp de accu nooit in het vuur, ook niet wanneer hij zwaar beschadigd of volledig versleten is. De accu kan ontploffen in het vuur.**
  9. **Laat de accu niet vallen, sla er geen spijker in, snijd er niet in, gooi er niet mee en stoot hem niet tegen een hard voorwerp.** Dergelijke handelingen kunnen leiden tot brand, buitensporige hitte of een explosie.
  10. **Gebruik nooit een beschadigde accu.**
  11. **De bijgeleverde lithium-ionbatterijen zijn onderhevig aan de vereisten in de wetgeving omtrent gevaarlijke stoffen.**

Voor commercieel transport en dergelijke door derden en transporteurs moeten speciale vereisten ten aanzien van verpakking en etikettering worden nageleefd.

Als voorbereiding van het artikel dat wordt getransporteerd is het noodzakelijk een expert op het gebied van gevaarlijke stoffen te raadplegen. Houd u tevens aan mogelijk strengere nationale regelgeving.

Blootliggende contactpunten moeten worden afgedekt met tape en de accu moet zodanig worden verpakt dat deze niet kan bewegen in de verpakking.
  12. **Wanneer u de accu wilt weggooien, verwijdert u de accu vanaf het gereedschap en gooit u hem op een veilige manier weg. Volg bij het weggooien van de accu de plaatselijke voorschriften.**
  13. **Gebruik de accu's uitsluitend met de gereedschappen die door Makita zijn aanbevolen.** Als de accu's worden aangebracht in niet-compatibele gereedschappen, kan dat leiden tot brand, buitensporige warmteontwikkeling, een explosie of lekkage van elektrolyt.
  14. **Als u het gereedschap gedurende een lange tijd niet denkt te gaan gebruiken, moet de accu vanaf het gereedschap worden verwijderd.**
  15. **Tijdens en na gebruik, kan de accu heet worden waardoor brandwonden of koude brandwonden kunnen worden veroorzaakt. Wees voorzichtig bij het hanteren van een hete accu.**
  16. **Raak de aansluitpunten van het gereedschap niet onmiddellijk na gebruik aan omdat deze heet genoeg kunnen zijn om brandwonden te veroorzaken.**
  17. **Zorg ervoor dat geen steenslag, stof of grond vast komt te zitten op/in de aansluitpunten, openingen en groeven van de accu.** Hierdoor kan oververhitting, brand, een barst en een storing in het gereedschap of de accu ontstaan waardoor

brandwonden of persoonlijk letsel kunnen ontstaan.

- Behalve indien gebruik van het gereedschap is toegestaan in de buurt van hoogspanningsleidingen, mag u de accu niet gebruiken in de buurt van een hoogspanningsleiding. Dit kan leiden tot een storing of een defect van het gereedschap of de accu.
- Houd de accu uit de buurt van kinderen.

## BEWAAR DEZE INSTRUCTIES.

**⚠️ LET OP:** Gebruik uitsluitend originele Makita accu's. Het gebruik van niet-originele accu's, of accu's die zijn gewijzigd, kan ertoe leiden dat de accu ontploft en brand, persoonlijk letsel en schade veroorzaakt. Ook vervalt daarmee de garantie van Makita op het gereedschap en de lader van Makita.

**KENNISGEVING:** Makita is niet verantwoordelijk voor enig ongeval voortvloeiend uit het gebruik van niet-originele Makita-accu's of accu's die zijn gewijzigd. Originele Makita-accu's zijn streng gecontroleerd op compatibiliteit met Makita-gereedschappen en -acculaders, en voldoen aan de toepasselijke regelgeving en veiligheidsnormen.

## Tips voor een maximale levensduur van de accu

- Laad de accu op voordat hij volledig ontladen is. Stop het gebruik van het gereedschap en laad de accu op telkens wanneer u vaststelt dat het vermogen van het gereedschap is afgenomen.
- Laad een volledig opgeladen accu nooit opnieuw op. Te lang opladen verkort de levensduur van de accu.
- Laad de accu op bij een omgevingstemperatuur tussen 10 °C en 40 °C. Laat een warme accu afkoelen alvorens hem op te laden.
- Als de accu niet wordt gebruikt, verwijder u hem vanaf het gereedschap of de lader.
- Laad de accu op als u deze gedurende een lange tijd (meer dan zes maanden) niet gaat gebruiken.

## BESCHRIJVING VAN DE FUNCTIES

**⚠️ WAARSCHUWING:** Zorg altijd dat het gereedschap is uitgeschakeld en de accu ervan is verwijderd alvorens de functies op het gereedschap af te stellen of te controleren.

### De accu aanbrengen en verwijderen

**⚠️ LET OP:** Schakel het gereedschap altijd uit voordat u de accu aanbrengt of verwijderd.

**⚠️ LET OP:** Houd het gereedschap en de accu stevig vast tijdens het aanbrengen of verwijderen van de accu. Als u het gereedschap en de accu niet stevig vasthoudt, kunnen deze uit uw handen glijpen en het gereedschap of de accu beschadigen, of kan persoonlijk letsel worden veroorzaakt.

Om de accu aan te brengen lijnt u de lip op de accu uit met de groef in de behuizing en duwt u de accu op zijn plaats. Steek de accu zo ver mogelijk in het gereedschap tot u een klinkgeluid hoort. Wanneer het rode deel zichtbaar is, zoals aangegeven in de afbeelding, is de accu niet geheel vergrendeld.

Om de accu te verwijderen verschuift u de knop aan de voorkant van de accu en schuift u tegelijkertijd de accu uit het gereedschap.

► Fig.1: 1. Rood deel 2. Knop 3. Accu

**⚠️ LET OP:** Breng de accu altijd helemaal aan totdat het rode deel niet meer zichtbaar is. Als u dit niet doet, kan de accu per ongeluk uit het gereedschap vallen en u of anderen in uw omgeving verwonden.





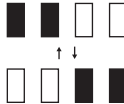
**⚠️ LET OP:** Breng de accu niet met kracht aan. Als de accu niet gemakkelijk in het gereedschap kan worden geschoven, wordt deze niet goed aangebracht.

### De resterende acculading controleren

Druk op de testknop op de accu om de resterende acculading te zien. De indicatorlampjes branden gedurende enkele seconden.

► Fig.2: 1. Indicatorlampjes 2. Testknop

Indicatorlampjes			Resterende acculading
Brandt	Uit	Knippert	
■ ■ ■ ■			75% tot 100%
■ ■ ■ □			50% tot 75%
■ ■ □ □			25% tot 50%
■ □ □ □			0% tot 25%

Indicatorlampjes			Resterende acculading
 Brandt	 Uit	 Knippert	
			Laad de accu op.
			Er kan een storing zijn opgetreden in de accu.

**OPMERKING:** Afhankelijk van de gebruiksomstandigheden en de omgevingstemperatuur, is het mogelijk dat de aangegeven acculading verschilt van de werkelijke acculading.

**OPMERKING:** Het eerste (meest linker) indicatorlampje knippert wanneer het accubeveiligingssysteem in werking is getreden.

## Gereedschap-/accubeveiligingssysteem

Het gereedschap is voorzien van een gereedschap-/accubeveiligingssysteem. Dit systeem schakelt automatisch de voeding naar de motor uit om de levensduur van het gereedschap en de accu te verlengen. Het gereedschap kan tijdens het gebruik automatisch stoppen als het gereedschap of de accu aan één van de volgende omstandigheden wordt blootgesteld:

## Overbelastingsbeveiliging

Wanneer het gereedschap of de accu wordt gebruikt op een manier waardoor een abnormaal hoge stroom wordt getrokken, stopt het gereedschap automatisch zonder dat een indicatorlampje gaat branden. Schakel in die situatie het gereedschap uit en stop het gebruik dat ertoe leidde dat het gereedschap overbelast raakte. Schakel daarna het gereedschap in om het weer te starten.

## Oververhittingsbeveiliging

Wanneer het gereedschap/de accu oververhit is, stopt het gereedschap automatisch en knippert de lamp. Laat het gereedschap eerst afkoelen alvorens het weer in te schakelen.

## Beveiliging tegen te ver ontladen

Als de acculading onvoldoende is, stopt het gereedschap automatisch. In dit het geval verwijdert u de accu vanaf het gereedschap en laadt u de accu op.

## De beveiligingsvergrendeling opheffen

Wanneer het beveiligingssysteem herhaaldelijk in werking treedt, wordt het gereedschap vergrendeld. In deze situatie start het gereedschap niet meer, ook niet wanneer het gereedschap wordt in- en uitgeschakeld. Om de beveiligingsvergrendeling op te heffen, verwijdert u de accu, plaatst u deze in de acculader en wacht u tot het opladen is voltooid.

## Beveiliging tegen andere oorzaken

Het beveiligingssysteem is ook ontworpen voor andere oorzaken die het gereedschap kunnen beschadigen, en zorgt ervoor dat het gereedschap automatisch stopt. Voer alle volgende stappen uit om de oorzaken op te heffen, wanneer het gereedschap tijdelijk is onderbroken of tijdens het gebruik is gestopt.

1. Verzeker u ervan dat alle schakelaars in de uitstand staan en schakel vervolgens het gereedschap in om het weer te starten.
2. Laad de accu('s) op of vervang hem/ze door (een) opgeladen accu('s).
3. Laat het gereedschap en de accu('s) afkoelen.

Als geen verbetering optreedt nadat het beveiligingssysteem is gereset, neemt u contact op met uw lokale Makita-servicecentrum.

## Asvergrendeling

**⚠WAARSCHUWING:** Bedien de asvergrendeling nooit terwijl de as draait. Dit kan ernstig letsel of beschadiging van het gereedschap veroorzaken.

**⚠WAARSCHUWING:** Verzeker u ervan dat de asvergrendeling volledig terugkeert naar zijn oorspronkelijke stand nadat deze is losgelaten.

Druk de asvergrendeling in om te voorkomen dat de as meedraait wanneer u accessoires aanbrengt of verwijdert.

► Fig.3: 1. Asvergrendeling

## Werking van de schakelaar

*Alleen voor model GD001G*

**⚠LET OP:** Controleer altijd, voordat u de accu in het gereedschap aanbrengt, of de schuifschakelaar op de juiste manier schakelt en weer terugkeert naar de uit-stand, wanneer achter op de schuifschakelaar wordt gedrukt.

**⚠LET OP:** De schakelaar kan worden vergrendeld in de aan-stand ten behoeve van het gebruikersgemak bij langdurig gebruik. Wees extra voorzichtig wanneer u de schakelaar in de aan-stand vergrendelt en houd het gereedschap altijd stevig vast.

Om het gereedschap te starten, schuift u de schuifschakelaar in de stand "I" (aan). Om het gereedschap continu te laten werken, drukt u de voorkant van de schuifschakelaar omlaag om deze te vergrendelen. Om het gereedschap te stoppen, drukt u op de achterkant van de schuifschakelaar en schuift u deze naar de stand "O" (uit).

► Fig.4: 1. Schuifschakelaar

**▲LET OP:** Alvorens de accu in het gereedschap aan te brengen, moet u altijd controleren of de aan-uitschakelaar goed werkt en bij het loslaten terugkeert naar de uit-stand.

**▲LET OP:** Omwille van uw veiligheid is dit gereedschap uitgerust met een uit-vergrendelknop die voorkomt dat het gereedschap onbedoeld wordt ingeschakeld. Gebruik het gereedschap **NOOIT** wanneer dit kan worden ingeschakeld door gewoon de aan-uitschakelaar in te knijpen zonder de uit-vergrendelknop te bedienen. Stuur het gereedschap naar ons erkende servicecentrum voor deugdelijke reparatie **ALVORENS** het verder te gebruiken.

**▲LET OP:** Knijp de aan-uitschakelaar niet hard in zonder de uit-vergrendelknop in te drukken. Hierdoor kan de schakelaar kapot gaan.

**▲LET OP:** U mag **NOOIT** de uit-vergrendelknop met plakband vastzetten of anderszins de werking en functie ervan tenietdoen.

Om te voorkomen dat de aan-uitschakelaar per ongeluk wordt ingeknepen, is een uit-vergrendelknop aangebracht.

Om het gereedschap te starten, trekt u de uit-vergrendelknop in de richting van de gebruiker en knijpt u vervolgens de aan-uitschakelaar in.

Om het gereedschap te stoppen, laat u de aan-uitschakelaar los.

► Fig.5: 1. Uit-vergrendelknop 2. Aan-uitschakelaar

## Toerentalregelaar

Het toerental van het gereedschap kan worden veranderd door de toerentalregelaar te draaien. De onderstaande tabel toont het cijfer op de toerentalregelaar en het bijbehorende toerental.

► Fig.6: 1. Toerentalregelaar

Cijfer	Toerental
1	7.000 min <sup>-1</sup>
2	12.500 min <sup>-1</sup>
3	18.000 min <sup>-1</sup>
4	23.500 min <sup>-1</sup>
5	29.000 min <sup>-1</sup>

**KENNISGEVING:** Als het gereedschap gedurende een lange tijd ononderbroken op een laag toerental wordt gebruikt, zal de motor overbelast raken, waardoor een storing zal optreden.

**KENNISGEVING:** De toerentalregelaar kan slechts tot stand 5 worden gedraaid en teruggedraaid tot stand 1. Forceer de regelaar niet voorbij de 5 of de 1 omdat de toerentalregeling daardoor defect kan raken.

## De lamp op de voorkant gebruiken

**▲LET OP:** Kijk niet direct in het lamplicht of in de lichtbron.

De lamp op de voorkant brandt gedurende 10 seconden nadat de accu is aangebracht, en brandt continu zolang de schakelaar in de aan-stand staat.

De lamp gaat 10 seconden nadat de aan-uitschakelaar in de Uit-stand is gezet.

► Fig.7: 1. Lamp op de voorkant

## De status van de lamp in- en uitschakelen

Om de status van de lamp in of uit te schakelen, volgt u de onderstaande stappen.

1. Breng de accu aan op het gereedschap.
2. Zet de toerentalregelaar in stand "5".
3. Draai de toerentalregelaar naar stand "1" en vervolgens terug naar stand "5".

**OPMERKING:** De status van de lamp kan worden veranderd binnen 10 seconden nadat de accu is aangebracht. Nadat de schakelaar eenmaal in de aan-stand is gezet, kan de status van de lamp niet meer worden veranderd, zelfs niet als dit binnen 10 seconden na het aanbrengen van de accu is.

**OPMERKING:** De status van de lamp kan ook worden veranderd door de toerentalregelaar achtereenvolgens in de standen "1" - "5" - "1" te zetten.

**OPMERKING:** Om de status van de lamp te kunnen veranderen, verwijdert u eerst de accu en brengt u deze weer aan. Vervolgens verandert u de stand van de toerentalregelaar.

**OPMERKING:** De status van de lamp zal dezelfde zijn als de laatste keer dat het gereedschap werd gebruikt.

## Beveiliging tegen onopzettelijk herstarten

Wanneer de schakelaar in de aan-stand staat en de accu wordt aangebracht, start het gereedschap niet. Om het gereedschap te starten, schakelt u de schakelaar uit en weer in.

## Actieve terugkoppelingstechnologie

Het gereedschap detecteert elektronisch situaties waarin de schijf of het accessoire gevaar loopt om vast te lopen. In deze situatie wordt het gereedschap automatisch uitgeschakeld om verder ronddraaien van de as te voorkomen (het voorkomt niet terugslag).

Om het gereedschap te starten, schakelt u eerst het gereedschap uit, heft u de oorzaak van de plotselinge afname van het toerental op, en schakelt u daarna het gereedschap weer in.

## Zachte-startfunctie

De zachte-startfunctie voorkomt abrupt schoksgewijs inschakelen.

## Constant-toerentalregeling

Maakt een gladde afwerking mogelijk omdat het toerental constant wordt gehouden, zelfs bij belasting.

## Elektrische rem

De elektrische rem wordt ingeschakeld nadat het gereedschap is uitgeschakeld.

De rem werkt niet wanneer de elektrische voeding wordt onderbroken, zoals wanneer de accu per ongeluk wordt verwijderd, terwijl de knop is ingeschakeld.

## MONTAGE

**⚠ LET OP:** Zorg altijd dat het gereedschap is uitgeschakeld en de accu ervan is verwijderd alvorens enig werk aan het gereedschap uit te voeren.

### Een accessoire aanbrengen en verwijderen

**⚠ LET OP:** Gebruik de juiste maat spankegel voor het accessoire dat u wilt gebruiken.

**KENNISGEVING:** Draai de spankopmoer niet vast zonder dat een accessoire in de spankop is aangebracht. Als u dit toch doet, kan de spankegel kapot gaan.

## De asvergrendeling gebruiken

Druk de asvergrendeling stevig in zodat de as niet kan draaien. Draai de spankopmoer linksom los en steek het accessoire in de spankopmoer. Draai de spankopmoer met behulp van een steeksleutel rechtsom vast.

► **Fig.8:** 1. Asvergrendeling 2. Steeksleutel  
3. Accessoire 4. Spankopmoer

## Met twee steeksleutels

Draai de spankopmoer linksom los en steek het accessoire in de spankopmoer. Gebruik één sleutel om de as vast te houden. Gebruik een andere sleutel om de spankopmoer rechtsom stevig vast te draaien.

► **Fig.9:** 1. Sleutel 2. Accessoire 3. Spanmoer

**OPMERKING:** Als u het accessoire niet in de spankopmoer kunt steken nadat de spankopmoer is losgedraaid, kan de spankegel in de weg zitten van het accessoire. In dit het geval verwijderd u de spankopmoer en verandert u de positie van de spankegel.

Het accessoire mag niet meer dan 10 mm vanaf de spankopmoer worden aangebracht. Het overschrijden van deze afstand kan trilling of een gebroken as veroorzaken.

► **Fig.10**

## De spankegel vervangen

1. Draai de spankopmoer los en verwijder deze.
2. Vervang de aanwezige spankegel door de gewenste spankegel.
3. Breng de spankopmoer weer aan.

► **Fig.11:** 1. Spankopmoer 2. Spankegel

Als de spankegel niet kan worden verwijderd, klemt u de spankegel in de bek van een punttang en verwijderd u hem.

Om vervorming van de spankegel te voorkomen, mag u bij het vastklemmen niet te veel kracht zetten.

► **Fig.12:** 1. Spankegel

## BEDIENING

**⚠ LET OP:** Oefen lichte druk uit op het gereedschap. Overmatige druk op het gereedschap zal resulteren in slechte afwerking en overbelasting van de motor.

**⚠ LET OP:** Het accessoire blijft doordraaien nadat het gereedschap is uitgeschakeld.

**⚠ LET OP:** Houd het gereedschap met beide handen stevig vast.

**⚠ LET OP:** Bij gebruik van een in de winkel gekocht accessoire, verzekert u zich altijd ervan dat het nominale toerental van het accessoire minstens gelijk moet zijn aan het maximumtoerental vermeld op het gereedschap.

Zet het gereedschap aan zonder dat het accessoire het werkstuk raakt, en wacht totdat het accessoire op maximaal toerental draait. Plaats vervolgens het accessoire voorzichtig op het werkstuk.

► **Fig.13**

**OPMERKING:** Wanneer u het gereedschap gebruikt voor zijdelings slijpen, kunt u een mooie afwerking realiseren door het gereedschap naar links te bewegen.

## ONDERHOUD

**⚠ LET OP:** Zorg altijd dat het gereedschap is uitgeschakeld en de accu ervan is verwijderd alvorens te beginnen met onderhoud of inspectie.

**KENNISGEVING:** Gebruik nooit benzine, wasbenzine, thinner, alcohol en dergelijke. Hierdoor kunnen verkleuring, vervormingen en barsten worden veroorzaakt.

Om de VEILIGHEID en BETROUWBAARHEID van het gereedschap te handhaven, dienen alle reparaties, onderhoud of afstellingen te worden uitgevoerd bij een erkend Makita-servicecentrum of de Makita-fabriek, en altijd met gebruik van Makita-ervangingsonderdelen.

## De slijpstift opruwen

Wanneer de slijpstift "vol" raakt met allerlei brokjes en deeltjes, moet u de slijpstift opruwen met de opruwsteen.

## De ventilatieopeningen schoonmaken

Zorg dat het gereedschap en de ventilatieopeningen steeds goed schoon blijven. Maak regelmatig de ventilatieopeningen schoon en let goed op dat ze niet verstopt raken.

- **Fig.14:** 1. Luchtuitlaatopening  
2. Luchtinlaatopening

Verwijder het stofrooster vanaf de luchtinlaatopening en reinig het zodat de lucht er ongehinderd door kan stromen.

- **Fig.15:** 1. Stofrooster

**KENNISGEVING:** Reinig het stofrooster wanneer het verstopt zit met stof of vreemde voorwerpen. Als u het gereedschap blijft gebruiken met een verstopt stofrooster, kan het gereedschap beschadigd raken.

## OPTIONELE ACCESSOIRES


**⚠ LET OP:** Deze accessoires of hulpstukken worden aanbevolen voor gebruik met het Makita gereedschap dat in deze gebruiksaanwijzing is beschreven. Bij gebruik van andere accessoires of hulpstukken bestaat het gevaar van persoonlijke letsel. Gebruik de accessoires of hulpstukken uitsluitend voor hun bestemde doel.

Wenst u meer bijzonderheden over deze accessoires, neem dan contact op met het plaatselijke Makita-servicecentrum.

- Slijpstiften
- Spankegels (3 mm, 6 mm, 8 mm, 1/4", 1/8")
- Spankopmoer
- Steeksleutel 13
- Originele Makita accu's en acculaders

**OPMERKING:** Sommige items op de lijst kunnen zijn inbegrepen in de doos van het gereedschap als standaard toebehoren. Deze kunnen van land tot land verschillen.

## ESPECIFICACIONES

Modelo:		GD001G	GD002G
Tamaño de pinza (específico para cada país)		6 mm o 6,35 mm (1/4")	
Tamaño máx. del accesorio	Diámetro máx. de la punta de esmerilar 	32 mm	
	Diámetro máx. del disco de lijar	52 mm	
	Diámetro máx. del cepillo de alambre	52 mm	
	Diámetro máx. de la muela de pulir	52 mm	
	Diámetro máx. del accesorio para tallar	52 mm	
	Diámetro máx. del disco de corte	52 mm	
	Longitud máx. de mandril (espiga)	46 mm	
Velocidad nominal (n)/Velocidad en vacío (n <sub>0</sub> )		7.000 - 29.000 min <sup>-1</sup>	
Longitud total	con BL4040	458 mm	
Peso neto		2,2 - 3,4 kg	
Tensión nominal		CC 36 V - 40 V máx.	

- Debido a nuestro continuado programa de investigación y desarrollo, las especificaciones aquí dadas están sujetas a cambios sin previo aviso.
- Las especificaciones pueden ser diferentes de país a país.
- El valor del peso neto incluye la combinación más liviana y la más pesada del accesorio (o accesorios) y del cartucho (o cartuchos) de batería que se especifican en el manual de instrucciones.

### Cartucho de batería y cargador aplicables

Cartucho de batería	BL4020* / BL4025* / BL4040* / BL4040F* / BL4050F* / BL4080F* * : Batería recomendada
Cargador	DC40RA / DC40RB / DC40RC / DC40WA / BCC01 / BCC02

- Algunos de los cartuchos de batería y cargadores indicados arriba puede que no estén disponibles dependiendo de su región de residencia.

**⚠ ADVERTENCIA:** Utilice solamente los cartuchos de batería y cargadores indicados arriba. La utilización de cualquier otro cartucho de batería y cargador puede ocasionar heridas y/o un incendio.

### Fuente de alimentación conectada por cable aplicable

Unidad portátil de alimentación eléctrica	PDC01 / PDC1200 / PDC1500
---	---------------------------

- La fuente o fuentes de alimentación conectadas por cable indicadas arriba puede que no estén disponibles dependiendo de su región de residencia.
- Antes de utilizar la fuente de alimentación conectada por cable, lea las instrucciones e indicaciones de precaución sobre ella.

### Uso previsto

La herramienta ha sido prevista para esmerilar materiales ferrosos o eliminar rebabas de piezas fundidas, así como para lijar, cepillar con alambres, pulir, tallar y cortar.

## Ruido

El nivel de ruido A-ponderado típico determinado de acuerdo con la norma EN60745-2-23:

### Modelo GD001G

Modo de trabajo	Nivel de presión sonora ( $L_{pA}$ ) :	Nivel de potencia sonora ( $L_{WA}$ ) :	Error (K) :
En vacío (disco artificial de 25-50 mm)	78 dB (A)	-	3 dB (A)
En vacío (disco artificial de más de 50 mm)	80 dB(A)	91 dB (A)	3 dB(A)

### Modelo GD002G

Modo de trabajo	Nivel de presión sonora ( $L_{pA}$ ) :	Nivel de potencia sonora ( $L_{WA}$ ) :	Error (K) :
En vacío (disco artificial de 25-50 mm)	78 dB(A)	-	3 dB(A)
En vacío (disco artificial de más de 50 mm)	80 dB(A)	91 dB(A)	3 dB(A)

El nivel de ruido en situación de trabajo puede exceder 80 dB (A).

**NOTA:** El valor (o los valores) de emisión de ruido declarado ha sido medido de acuerdo con un método de prueba estándar y se puede utilizar para comparar una herramienta con otra.

**NOTA:** El valor (o valores) de emisión de ruido declarado también se puede utilizar en una valoración preliminar de exposición.

**⚠ADVERTENCIA:** Póngase protectores para oídos.

**⚠ADVERTENCIA:** La emisión de ruido durante la utilización real de la herramienta eléctrica puede variar del valor (o valores) total declarado dependiendo de las formas en las que la herramienta sea utilizada.

**⚠ADVERTENCIA:** Asegúrese de identificar medidas de seguridad para proteger al operario que estén basadas en una estimación de la exposición en las condiciones reales de utilización (teniendo en cuenta todas las partes del ciclo operativo como las veces cuando la herramienta está apagada y cuando está funcionando en vacío además del tiempo de gatillo).

## Vibración

El valor total de la vibración continua (suma de vectores triaxiales) determinado de acuerdo con la norma EN60745-2-23:

### Modelo GD001G

Modo de trabajo	Emisión de vibración ( $a_{h1}$ ) :	Error (K) :
Esmerilado superficial (disco artificial de 25-50 mm)	5,4 m/s <sup>2</sup>	1,5 m/s <sup>2</sup>
Esmerilado superficial (disco artificial de más de 50 mm)	15,2 m/s <sup>2</sup>	1,5 m/s <sup>2</sup>

### Modelo GD002G

Modo de trabajo	Emisión de vibración ( $a_{h1}$ ) :	Error (K) :
Esmerilado superficial (disco artificial de 25-50 mm)	5,7 m/s <sup>2</sup>	1,5 m/s <sup>2</sup>
Esmerilado superficial (disco artificial de más de 50 mm)	14,6 m/s <sup>2</sup>	1,5 m/s <sup>2</sup>

**NOTA:** El valor (o los valores) total de emisión de vibración declarado ha sido medido de acuerdo con un método de prueba estándar y se puede utilizar para comparar una herramienta con otra.

**NOTA:** El valor (o los valores) total de emisión de vibración declarado también se puede utilizar en una valoración preliminar de exposición.

**⚠ADVERTENCIA:** La emisión de vibración durante la utilización real de la herramienta eléctrica puede variar del valor (o valores) total declarado dependiendo de las formas en las que la herramienta sea utilizada.

**⚠ADVERTENCIA:** Asegúrese de identificar medidas de seguridad para proteger al operario que estén basadas en una estimación de la exposición en las condiciones reales de utilización (teniendo en cuenta todas las partes del ciclo operativo como las veces cuando la herramienta está apagada y cuando está funcionando en vacío además del tiempo de gatillo).

## Declaraciones de conformidad

### Para países europeos solamente

Las declaraciones de conformidad están incluidas como Anexo A de este manual de instrucciones.

# ADVERTENCIAS DE SEGURIDAD

## Advertencias de seguridad para herramientas eléctricas en general

**⚠️ ADVERTENCIA** Lea todas las advertencias de seguridad, instrucciones, ilustraciones y especificaciones provistas con esta herramienta eléctrica. Si no sigue todas las instrucciones indicadas abajo, podrá resultar en una descarga eléctrica, un incendio y/o heridas graves.

## Guarde todas las advertencias e instrucciones para futuras referencias.

El término "herramienta eléctrica" en las advertencias se refiere a su herramienta eléctrica de funcionamiento con conexión a la red eléctrica (con cable) o herramienta eléctrica de funcionamiento a batería (sin cable).

## Advertencias de seguridad para el rectificador inalámbrico

**Advertencias de seguridad comunes para operaciones de esmerilar, lijar, cepillar con alambres, pulir, tallar o de corte abrasivo:**

1. **Esta herramienta eléctrica ha sido prevista para funcionar como esmeriladora, lijadora, cepillo de alambre, pulidora, talladora o herramienta de corte. Lea todas las advertencias de seguridad, instrucciones, ilustraciones y especificaciones provistas con esta herramienta eléctrica.** Si no sigue todas las instrucciones indicadas abajo, podrá resultar en una descarga eléctrica, un incendio o heridas graves.
2. **No utilice accesorios que no estén específicamente diseñados y recomendados por el fabricante de la herramienta.** Solamente porque el accesorio pueda ser instalado en su herramienta eléctrica, no quiere decir que su operación sea segura.
3. **La velocidad nominal de los accesorios de esmerilar deberá ser por lo menos igual a la velocidad máxima marcada en la herramienta eléctrica.** Los accesorios de esmerilar utilizados por encima de su velocidad nominal podrán romperse y salir despedidos.
4. **El diámetro exterior y el espesor de su accesorio deberán estar dentro de la capacidad nominal de su herramienta eléctrica.** Los accesorios de tamaño incorrecto no se pueden controlar adecuadamente.
5. **El tamaño del eje de las muelas, tambores de lijado o cualquier otro accesorio deberá encajar debidamente en el mandril o pinza de la herramienta eléctrica.** Los accesorios que no coincidan con el mecanismo de montaje de la herramienta eléctrica se desequilibrarán, vibrarán excesivamente y podrán ocasionar una pérdida de control.

6. **Las muelas, tambores de lijado, cortadores u otros accesorios montados en el mandril deberán ser insertados a tope en la pinza o la prensa.** Si el mandril no está bien sujetado o la parte saliente de la muela es muy larga, la muela montada podrá aflojarse y ser lanzada a gran velocidad.
7. **No utilice un accesorio dañado.** Antes de cada uso inspeccione los accesorios, como las muelas abrasivas por si están resquebrajadas o agrietadas, el tambor de lijado por si está agrietado, rasgado o muy desgastado y el cepillo de alambre por si tiene alambres sueltas o quebradas. Si deja caer la herramienta eléctrica o el accesorio, inspeccione por si hay daños o instale un accesorio que no esté dañado. Después de inspeccionar e instalar un accesorio, póngase usted y cualquier curioso alejados del plano del accesorio giratorio y haga funcionar la herramienta eléctrica a la velocidad máxima sin carga durante un minuto. Los accesorios dañados normalmente se desintegrarán durante este tiempo de prueba.
8. **Póngase equipo de protección personal.** Dependiendo de la aplicación, utilice pantalla facial, gafas de protección o gafas de seguridad. Según corresponda, póngase mascarilla contra el polvo, protectores auditivos, guantes y delantal de taller que pueda detener pequeños fragmentos abrasivos o de la pieza de trabajo. La protección de los ojos deberá ser capaz de detener los restos que salen volando generados en las diferentes operaciones. La mascarilla contra el polvo o respirador deberá ser capaz de filtrar las partículas generadas en su operación. La exposición prolongada a ruido de alta intensidad podrá ocasionar pérdida auditiva.
9. **Mantenga a los curiosos a una distancia segura alejados del área de trabajo. Cualquier persona que entre en el área de trabajo deberá utilizar equipo de protección personal.** Los fragmentos de la pieza de trabajo o de un accesorio roto pueden salir volando y ocasionar heridas más allá del área de operación inmediata.
10. **Cuando realice una operación en la que el accesorio de corte pueda entrar en contacto con cableado oculto, sujete la herramienta eléctrica solamente por las superficies de asimiento aisladas.** El contacto del accesorio de corte con un cable con corriente puede hacer que la corriente circule por las partes metálicas expuestas de la herramienta eléctrica y soltar una descarga eléctrica al operario.
11. **Sujete siempre la herramienta firmemente con la mano(s) durante la puesta en marcha.** La torsión de reacción del motor, al acelerarse hasta plena velocidad, puede hacer que la herramienta se retuerza.
12. **Utilice mordazas para sujetar la pieza de trabajo siempre que sea práctico. No sujete nunca una pieza de trabajo pequeña con una mano y la herramienta con la otra mano mientras utiliza la herramienta.** La sujeción con mordazas de una pieza de trabajo pequeña le permite utilizar la mano(s) para controlar la herramienta. El material redondo como varillas de madera,

tubos o tuberías tienden a rodar mientras están siendo cortados, y pueden hacer que la punta se estanque o salte hacia usted.

13. **No deje nunca la herramienta eléctrica hasta que el accesorio se haya detenido completamente.** El accesorio giratorio puede agarrarse en la superficie y tirar de la herramienta eléctrica dejándola fuera de control.
14. **Después de cambiar las puntas o de hacer cualquier ajuste, asegúrese de que la tuerca de pinza, la prensa o cualquier otro dispositivo de ajuste está firmemente apretado.** Los dispositivos de ajuste flojos pueden moverse inesperadamente, ocasionado la pérdida del control, y los componentes giratorios flojos serán lanzados violentamente.
15. **No tenga la herramienta eléctrica encendida mientras la lleva en su costado.** Un contacto accidental con el accesorio giratorio podrá enganchar sus ropas, y arrastrar el accesorio hacia su cuerpo.
16. **Limpie regularmente los orificios de ventilación de la herramienta eléctrica.** El ventilador del motor atraerá el polvo al interior de la carcasa y una acumulación excesiva del polvo metálico puede ocasionar riesgos eléctricos.
17. **No utilice la herramienta eléctrica cerca de materiales inflamables.** Las chispas pueden prender estos materiales.
18. **No utilice accesorios que requieran líquidos refrigerantes.** La utilización de agua u otros líquidos refrigerantes puede resultar en electrocución o descarga eléctrica.

#### **Advertencias sobre retrocesos bruscos y otros peligros relacionados**

El retroceso brusco es una reacción repentina debida a un pinzamiento o estancamiento del disco, banda de lijarse, cepillo o cualquier otro accesorio giratorio. El pinzamiento o estancamiento ocasiona un detenimiento rápido del accesorio giratorio que a su vez hace que la herramienta eléctrica descontrolada sea forzada en dirección opuesta al giro del accesorio.

Por ejemplo, si la muela abrasiva queda aprisionada o estancada por la pieza de trabajo, el borde de la muela que está entrando en el punto de estancamiento puede hincarse en la superficie del material haciendo que la muela se salga hacia fuera o salte. La muela podrá saltar hacia el operario o en dirección contraria a él, dependiendo de la dirección del movimiento de la muela en el punto de estancamiento. Las muelas abrasivas también pueden romperse en estas condiciones. Los retrocesos bruscos se deben a un mal uso de la herramienta eléctrica y/o a procedimientos o condiciones de trabajo incorrectos y pueden evitarse tomando las precauciones apropiadas indicadas abajo.

1. **Mantenga la herramienta eléctrica sujeta firmemente y posicione su cuerpo y brazo de forma que pueda resistir las fuerzas del retroceso brusco.** El operario puede controlar las fuerzas de retroceso brusco, si toma las precauciones apropiadas.
2. **Utilice especial cuidado cuando trabaje en esquinas, bordes cortantes, etc. Evite que el accesorio rebote o se enganche.** Las esquinas, bordes cortantes o los rebotes tienen la tendencia a enganchar el accesorio giratorio y ocasionar la

pérdida del control o retroceso brusco.

3. **No instale un disco de sierra dentado.** Tales discos crean retrocesos bruscos y pérdida de control frecuentes.
4. **Desplace siempre la punta contra el material en la misma dirección que en la que el borde de corte sale del material (que es la misma dirección en la que salen lanzadas las virutas).** Si la herramienta es desplazada en la dirección incorrecta el borde de corte de la punta saltará fuera de la pieza de trabajo y tirará de la herramienta en la dirección que es desplazada.
5. **Cuando utilice limas, discos de corte, cortadores de alta velocidad o cortadores de carburo de tungsteno giratorios, mantenga siempre la pieza de trabajo sujeta de forma segura.** Estos discos se atascarán si se inclinan ligeramente en la ranura y pueden retroceder bruscamente. Cuando un disco de corte se atasca, normalmente el propio disco se rompe. Cuando una lima, un cortador de alta velocidad o un cortador de carburo de tungsteno giratorio se atasca, puede saltar de la ranura y usted puede perder el control de la herramienta.

#### **Advertencias de seguridad específicas para operaciones de esmerilar y corte abrasivo:**

1. **Utilice solamente tipos de discos que estén recomendados para su herramienta eléctrica y solamente para las aplicaciones recomendadas. Por ejemplo: no esmerile con el costado de un disco de corte.** Los discos de corte abrasivo han sido previstos para esmerilado periférico, y las fuerzas laterales aplicadas a estos discos pueden ocasionar su desintegración.
2. **No “atasque” un disco de corte ni aplique presión excesiva. No intente hacer un corte de excesiva profundidad.** Si fatiga en exceso el disco, aumentará la carga y la susceptibilidad de retorcerse o estancarse en el corte y existirá la posibilidad de que se produzca un retroceso brusco o la rotura del disco.
3. **No ponga la mano en línea con el disco giratorio ni detrás del disco.** Cuando el disco, en el punto de operación, está moviéndose alejándose de su mano, el posible retroceso brusco puede lanzar el disco giratorio y la herramienta eléctrica directamente contra usted.
4. **Cuando el disco se pince o estanque o cuando quiera interrumpir un corte por cualquier razón, apague la herramienta eléctrica y sujétela sin moverla hasta que el disco se haya detenido completamente. No intente nunca sacar el disco de corte del corte mientras el disco esté moviéndose porque podrá producirse un retroceso brusco.** Investigue y tome medidas correctivas para eliminar la causa del pinzamiento o estancamiento del disco.
5. **No reinicie la operación de corte en la pieza de trabajo. Deje que el disco alcance plena velocidad y vuelva a entrar en el corte cuidadosamente.** Si vuelve a poner en marcha la herramienta eléctrica en la pieza de trabajo, el disco podrá estancarse, saltar hacia arriba o retroceder bruscamente.

6. **Apoye los paneles o cualquier pieza de trabajo demasiado grande para minimizar el riesgo de que el disco se pince o retroceda bruscamente.** Las piezas de trabajo grandes tienden a combarse con su propio peso. Deberá poner apoyos debajo de la pieza de trabajo cerca de la línea de corte y cerca del borde de la pieza de trabajo en ambos costados del disco.
7. **Extreme las precauciones cuando haga un “corte por hundimiento” en paredes u otras áreas ciegas.** La parte saliente del disco podría cortar tuberías de gas o agua, cables eléctricos u objetos que pueden ocasionar un retroceso brusco.
9. **Compruebe que la pieza de trabajo está debidamente apoyada.**
10. **No utilice la herramienta con ningún material que contenga asbestos.**
11. **Asegúrese siempre de que tiene suelo firme. Asegúrese de que no haya nadie debajo cuando utilice la herramienta en lugares altos.**

## GUARDE ESTAS INSTRUCCIONES.

**⚠️ ADVERTENCIA:** NO deje que la comodidad o familiaridad con el producto (a base de utilizarlo repetidamente) sustituya la estricta observancia de las normas de seguridad para el producto en cuestión. El MAL USO o el no seguir las normas de seguridad establecidas en este manual de instrucciones podrá ocasionar graves heridas personales.

### Advertencias de seguridad específicas para operaciones de cepillado con alambres:

1. **Sea consciente de que el cepillo lanza hebras de alambre incluso durante una operación normal. No fatigue en exceso los alambres aplicando una carga excesiva al cepillo.** Las hebras de alambre pueden penetrar la ropa ligera o la piel fácilmente.
2. **Deje que los cepillos giren a la velocidad de funcionamiento durante al menos un minuto antes de usarlos. Durante este tiempo, nadie debe situarse delante o en línea con el cepillo.** Durante el tiempo de rodaje se desprenderán cerdas o alambres sueltos.
3. **Dirija la descarga del cepillo de alambre giratorio lejos de usted.** Durante el uso de estos cepillos pueden salir despedidas a alta velocidad pequeñas partículas y diminutos fragmentos de alambre que pueden incrustarse en la piel.

### Advertencias de seguridad adicionales:

1. **La herramienta ha sido prevista para ser utilizada con puntas de amolar abrasivas aglomeradas (piedras de esmerilar) montadas permanentemente en mandril (espiga) liso y sin rosca.**
2. **Asegúrese de que la muela no está haciendo contacto con la pieza de trabajo antes de activar el interruptor.**
3. **Antes de utilizar la herramienta en una pieza de trabajo definitiva, déjela funcionar durante un rato. Observe para ver si hay vibración o bamboleo que pueda indicar una incorrecta instalación o muela mal equilibrada.**
4. **Utilice la superficie especificada de la muela para realizar el amolado.**
5. **Tenga cuidado con las chispas que salen volando. Sujete la herramienta de forma que las chispas salgan volando en dirección contraria a usted y otras personas o materiales inflamables.**
6. **No deje la herramienta en marcha. Tenga en marcha la herramienta solamente cuando la tenga en la mano.**
7. **No toque la pieza de trabajo inmediatamente después de la operación; podrá estar muy caliente y quemarle la piel.**
8. **Observe las instrucciones del fabricante para montar y utilizar de forma correcta las muelas. Maneje y almacene las muelas con cuidado.**

## Instrucciones de seguridad importantes para el cartucho de batería

1. **Antes de utilizar el cartucho de batería, lea todas las instrucciones e indicaciones de precaución sobre (1) el cargador de baterías, (2) la batería, y (3) el producto con el que se utiliza la batería.**
2. **No desensamble ni manipule el cartucho de batería.** Podrá resultar en un incendio, calor excesivo, o una explosión.
3. **Si el tiempo de uso se acorta demasiado, cese la operación inmediatamente. Podría resultar en un riesgo de recalentamiento, posibles quemaduras e incluso una explosión.**
4. **Si entra electrólito en sus ojos, aclárelos con agua limpia y acuda a un médico inmediatamente. Existe el riesgo de poder perder la vista.**
5. **No cortocircuite el cartucho de batería:**
  - (1) **No toque los terminales con ningún material conductor.**
  - (2) **Evite guardar el cartucho de batería en un cajón junto con otros objetos metálicos, como clavos, monedas, etc.**
  - (3) **No exponga el cartucho de batería al agua ni a la lluvia.**

Un cortocircuito en la batería puede producir una gran circulación de corriente, un recalentamiento, posibles quemaduras e incluso una rotura de la misma.
6. **No guarde ni utilice la herramienta y el cartucho de batería en lugares donde la temperatura pueda alcanzar o exceder los 50 °C.**
7. **Nunca incinere el cartucho de batería incluso en el caso de que esté dañado seriamente o ya no sirva en absoluto. El cartucho de batería puede explotar si se tira al fuego.**
8. **No clave, corte, aplaste, lance, deje caer el cartucho de batería, ni golpee contra un objeto duro el cartucho de batería.** Tal conducta podrá resultar en un incendio, calor excesivo, o una explosión.

9. **No utilice una batería dañada.**
10. **Las baterías de litio-ion contenidas están sujetas a los requisitos de la Legislación para Materiales Peligrosos.**  
Para transportes comerciales, p.ej., por terceras personas y agentes de transportes, se deberán observar requisitos especiales para el empaquetado y etiquetado.  
Para la preparación del artículo que se va a enviar, se requiere consultar con un experto en materiales peligrosos. Por favor, observe también la posibilidad de reglamentos nacionales más detallados.  
Cubra con cinta aislante o enmascare los contactos expuestos y empaquete la batería de tal manera que no se pueda mover alrededor dentro del embalaje.
11. **Para deshechar el cartucho de batería, retírelo de la herramienta y deséchelo en un lugar seguro. Siga los reglamentos locales referentes al desecho de la batería.**
12. **Utilice las baterías solamente con los productos especificados por Makita.** La instalación de las baterías en productos no compatibles puede resultar en un incendio, calor excesivo, explosión, o fuga de electrolito.
13. **Si la herramienta no va a ser utilizada durante un periodo de tiempo largo, la batería deberá ser retirada de la herramienta.**
14. **Durante y después de la utilización, el cartucho de batería podrá acumular calor, lo cual puede ocasionar quemaduras o quemaduras de baja temperatura. Preste atención al manejo de cartuchos de batería calientes.**
15. **No toque el terminal de la herramienta inmediatamente después de utilizar, dado que puede calentarse lo suficiente como para ocasionar quemaduras.**
16. **No permita que virutas, polvo, o tierra se adhieran dentro de los terminales, orificios, y ranuras del cartucho de batería.** Esto podría ocasionar calentamiento, que coja fuego, reviente y un mal funcionamiento de la herramienta o el cartucho de batería, resultando en quemaduras o heridas personales.
17. **A menos que la herramienta pueda utilizarse cerca de cables eléctricos de alta tensión, no utilice el cartucho de batería cerca de cables eléctricos de alta tensión.** Podrá resultar en un mal funcionamiento o rotura de la herramienta o el cartucho de batería.
18. **Mantenga la batería alejada de los niños.**

## GUARDE ESTAS INSTRUCCIONES.

**⚠PRECAUCIÓN:** Utilice solamente baterías genuinas de Makita. La utilización de baterías no genuinas de Makita, o baterías que han sido alteradas, puede resultar en una explosión de la batería ocasionando incendios, heridas personales y daños. También anulará la garantía de Makita para la herramienta y el cargador de Makita.

**AVISO:** Makita no se hace responsable de ningún accidente que resulte del uso de baterías Makita no genuinas ni de baterías que hayan sido modificadas. Las baterías Makita genuinas han sido rigurosamente evaluadas para garantizar su compatibilidad con las herramientas y cargadores Makita, de acuerdo con la legislación y los estándares de seguridad aplicables.

## Consejos para alargar al máximo la vida de servicio de la batería

1. **Cargue el cartucho de batería antes de que se descargue completamente. Detenga siempre la operación y cargue el cartucho de batería cuando note menos potencia en la herramienta.**
2. **No cargue nunca un cartucho de batería que esté completamente cargado. La sobrecarga acortará la vida de servicio de la batería.**
3. **Cargue el cartucho de batería a temperatura ambiente de 10 °C - 40 °C. Si un cartucho de batería está caliente, déjelo enfriar antes de cargarlo.**
4. **Cuando no esté utilizando el cartucho de batería, retírelo de la herramienta o del cargador.**
5. **Cargue el cartucho de batería si no lo utiliza durante un periodo de tiempo prolongado (más de seis meses).**

## DESCRIPCIÓN DEL FUNCIONAMIENTO

**⚠ADVERTENCIA:** Asegúrese siempre de que la herramienta está apagada y el cartucho de batería retirado antes de realizar cualquier ajuste o comprobación en la herramienta.

## Instalación o extracción del cartucho de batería

**⚠PRECAUCIÓN:** Apague siempre la herramienta antes de instalar o retirar el cartucho de batería.

**⚠PRECAUCIÓN:** Sujete la herramienta y el cartucho de batería firmemente cuando instale o retire el cartucho de batería. Si no sujeta la herramienta y el cartucho de batería firmemente podrán caérsele de las manos y resultar en daños a la herramienta y al cartucho de batería y heridas personales.

Para instalar el cartucho de batería, alinee la lengüeta del cartucho de batería con la ranura del alojamiento y deslícelo al interior hasta encajarlo en su sitio. Insértelo por completo hasta que se bloquee en su sitio con un pequeño chasquido. Si puede ver el indicador rojo como se muestra en la figura, no estará bloqueado completamente.

Para retirar el cartucho de batería, deslícelo de la herramienta mientras desliza el botón de la parte frontal del cartucho.

► **Fig.1:** 1. Indicador rojo 2. Botón 3. Cartucho de batería








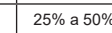

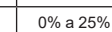

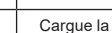

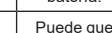

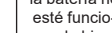
**⚠ PRECAUCIÓN:** Instale siempre el cartucho de batería completamente hasta que no pueda verse el indicador rojo. En caso contrario, podrá caerse accidentalmente de la herramienta y ocasionar heridas a usted o a alguien que esté cerca de usted.

**⚠ PRECAUCIÓN:** No instale el cartucho de batería empleando fuerza. Si el cartucho no se desliza al interior fácilmente, será porque no está siendo insertado correctamente.

## Modo de indicar la capacidad de batería restante

Presione el botón de comprobación en el cartucho de batería para indicar la capacidad de batería restante. Las lámparas indicadoras se iluminan durante unos pocos segundos.

► **Fig.2:** 1. Lámparas indicadoras 2. Botón de comprobación

Lámparas indicadoras			Capacidad restante
			
Iluminada	Apagada	Parpadeando	
			75% a 100%
			50% a 75%
			25% a 50%
			0% a 25%
			Cargue la batería.
			Puede que la batería no esté funcionando bien.
			

**NOTA:** Dependiendo de las condiciones de utilización y de la temperatura ambiente, la indicación podrá variar ligeramente de la capacidad real.

**NOTA:** La primera lámpara indicadora (extremo izquierdo) parpadeará cuando el sistema de protección de la batería esté funcionando.

## Sistema de protección de la herramienta / batería

La herramienta está equipada con un sistema de protección de la herramienta/batería. Este sistema corta automáticamente la alimentación al motor para alargar la vida de servicio de la herramienta y la batería. La herramienta se detendrá automáticamente durante la operación si la herramienta o la batería es puesta en una de las condiciones siguientes:

## Protección contra sobrecarga

Cuando la herramienta/batería sea operada de manera que le haga absorber una corriente anormalmente alta, la herramienta se detendrá automáticamente sin ninguna indicación. En esta situación, apague la herramienta y detenga la aplicación que ocasiona la sobrecarga de la herramienta. Después encienda la herramienta para volver a empezar.

## Protección contra el recalentamiento

Cuando la herramienta/batería se recalienta, la herramienta se detiene automáticamente y la lámpara parpadea. Deje que la herramienta se enfríe antes de encender la herramienta otra vez.

## Protección contra descarga excesiva

Cuando la capacidad de batería no es suficiente, la herramienta se detiene automáticamente. En este caso, retire la batería de la herramienta y cargue la batería.

## Liberación del bloqueo de protección

Cuando el sistema de protección se accione repetidamente, la herramienta se bloqueará.

En esta situación, la herramienta no se pondrá en marcha aunque se intente apagarla y encenderla. Para liberar el bloqueo de protección, retire la batería, póngala en el cargador de batería y espere hasta que finalice la carga.

## Protecciones contra otras causas

También hay un sistema de protección diseñado para otras causas que pueden dañar la herramienta y permite a la herramienta detenerse automáticamente. Realice todos los pasos siguientes para despejar las causas, cuando la herramienta haya sido llevada a una pausa temporal o a una parada en la operación.

1. Asegúrese de que todos los interruptores están en la posición apagada, y después encienda la herramienta otra vez para volver a empezar.
2. Cargue la(s) batería(s) o reemplácela(s) con una batería(s) recargada(s).
3. Deje que la herramienta y la(s) batería(s) se enfríen.

Si no se nota una mejora al restablecer el sistema de protección, póngase en contacto con el centro de servicio Makita local.

## Bloqueo del eje

**⚠ ADVERTENCIA:** No accione nunca el bloqueo del eje cuando el mandril esté moviéndose. Podría ocasionar heridas graves o daños a la herramienta.

**⚠ ADVERTENCIA:** Asegúrese de que el bloqueo del eje regrese completamente a su posición original después de soltarlo.

Presione el bloqueo del eje para impedir que el mandril gire cuando instale o desmonte accesorios.

► **Fig.3:** 1. Bloqueo del eje

## Accionamiento del interruptor

Solamente para el modelo GD001G

**⚠ PRECAUCIÓN:** Antes de instalar el cartucho de batería en la herramienta, compruebe siempre para ver que el interruptor deslizable se acciona debidamente y que vuelve a la posición “apagada” cuando se presiona la parte trasera del interruptor deslizable.

**⚠ PRECAUCIÓN:** El interruptor puede ser bloqueado en la posición “encendida” para mayor comodidad del operario durante una utilización prolongada. Tenga precaución cuando bloquee la herramienta en la posición “encendida” y mantenga la herramienta firmemente empuñada.

Para poner en marcha la herramienta, deslice el interruptor deslizable hacia la posición “I (encender)”. Para una operación continua, presione hacia abajo el extremo delantero del interruptor deslizable para bloquearlo.

Para parar la herramienta, presione la parte trasera del interruptor deslizable, después deslícelo hacia la posición “O (apagar)”.

► Fig.4: 1. Interruptor deslizable

Solamente para el modelo GD002G

**⚠ PRECAUCIÓN:** Antes de instalar el cartucho de batería en la herramienta, compruebe siempre para ver que el interruptor de palanca se acciona debidamente y que vuelve a la posición “apagada” cuando lo suelta.

**⚠ PRECAUCIÓN:** Para su seguridad, esta herramienta está equipada con una palanca de desbloqueo que evita que la herramienta se ponga en marcha de forma no intencionada. No utilice NUNCA la herramienta si se pone en marcha cuando usted simplemente aprieta el interruptor de palanca sin apretar la palanca de desbloqueo. Traiga la herramienta a nuestro centro de servicio autorizado para hacer la reparación apropiada ANTES de seguir utilizándola.

**⚠ PRECAUCIÓN:** No apriete con fuerza el interruptor de palanca sin apretar la palanca de desbloqueo. Podría ocasionar la rotura del interruptor.

**⚠ PRECAUCIÓN:** No sujete NUNCA con cinta ni anule la finalidad y la función de la palanca de desbloqueo.

Para evitar que el interruptor de palanca pueda ser apretado accidentalmente, se ha provisto una palanca de desbloqueo.

Para poner en marcha la herramienta, apriete la palanca de desbloqueo hacia el operario y después apriete el interruptor de palanca.

Para detener la herramienta, suelte el interruptor de palanca.

► Fig.5: 1. Palanca de desbloqueo 2. Interruptor de palanca

## Dial de ajuste de velocidad

Se puede cambiar la velocidad de rotación de la herramienta girando el dial de ajuste de velocidad. La siguiente tabla muestra el número del dial y la velocidad de rotación correspondiente.

► Fig.6: 1. Dial de ajuste de velocidad

Número	Velocidad
1	7.000 min <sup>-1</sup>
2	12.500 min <sup>-1</sup>
3	18.000 min <sup>-1</sup>
4	23.500 min <sup>-1</sup>
5	29.000 min <sup>-1</sup>

**AVISO:** Si se utiliza la herramienta de manera continua a una velocidad baja y por un tiempo prolongado, el motor se sobrecargará y la herramienta comenzará a funcionar mal.

**AVISO:** El dial de ajuste de velocidad se puede girar solamente hasta 5 y de vuelta a 1. No lo fuerce más allá de 5 o 1, o la función de ajuste de velocidad podrá dejar de funcionar.

## Encendido de la lámpara delantera

**⚠ PRECAUCIÓN:** No mire a la luz ni vea la fuente de luz directamente.

La lámpara delantera se enciende durante 10 segundos después de instalar el cartucho de batería o se enciende continuamente mientras el interruptor está activado.

La lámpara se apagará 10 segundos después de desactivar el interruptor.

► Fig.7: 1. Lámpara delantera

## Inhabilitación o habilitación del estado de la lámpara

Para inhabilitar o habilitar el estado de la lámpara, siga los pasos de abajo.

1. Inserte el cartucho de batería en la herramienta.
2. Ajuste el dial de ajuste de velocidad a “5”.
3. Gire el dial de ajuste de velocidad hasta “1”, y después retrocédalo hasta “5”.

**NOTA:** El estado de la lámpara se puede cambiar dentro de 10 segundos tras insertar el cartucho de batería. Una vez activado el interruptor, el estado de la lámpara no se puede cambiar, incluso si se hace dentro de 10 segundos tras insertar el cartucho de batería.

**NOTA:** El estado de la lámpara también se puede cambiar ajustando el dial de ajuste de velocidad a “1” - “5” - “1”.

**NOTA:** Para volver a ajustar el estado de la lámpara, primero retire el cartucho de batería y después ajuste el dial de ajuste de velocidad.

**NOTA:** El estado de la lámpara será el mismo que la última vez que se utilizó la herramienta.

## Función de prevención de reinicio de puesta en marcha accidental

Cuando instale el cartucho de batería mientras el interruptor está activado, la herramienta no se pondrá en marcha.

Para poner en marcha la herramienta, desactive el interruptor, y después vuelva a activarlo.

## Tecnología de detección de Retroalimentación Activa

La herramienta detecta electrónicamente situaciones en las que la muela o accesorio puede estar en riesgo de saltar. En esta situación, la herramienta se apaga automáticamente para prevenir que el mandril siga girando (no evita un retroceso brusco).

Para volver a poner en marcha la herramienta, primero apague la herramienta, retire la causa de la repentina caída de la velocidad de giro, y después enciéndala otra vez.

## Función de inicio suave

La función de inicio suave reduce la reacción del arranque.

## Control de velocidad constante

Se puede obtener un acabado fino, porque la velocidad de giro se mantiene constante incluso en condición de carga.

## Freno eléctrico

El freno eléctrico se activa después de apagar la herramienta.

El freno no responde cuando el suministro eléctrico se desconecta, como cuando se retira la batería accidentalmente, con el interruptor todavía activado.

## MONTAJE

**⚠PRECAUCIÓN:** Asegúrese siempre de que la herramienta está apagada y el cartucho de batería retirado antes de realizar cualquier trabajo en la herramienta.

### Instalación o desmontaje del accesorio

**⚠PRECAUCIÓN:** Utilice el cono de pinza de tamaño correcto para el accesorio que piensa utilizar.

**AVISO:** No apriete la tuerca de pinza sin insertar un accesorio. De lo contrario, podrá dar lugar a que se rompa el cono de pinza.

## Utilización del bloqueo del eje

Presione firmemente el bloqueo del eje para que el mandril no pueda girar. Afloje la tuerca de pinza hacia la izquierda e inserte el accesorio en la tuerca de pinza. Apriete la tuerca de la pinza hacia la derecha utilizando la llave.

► **Fig.8:** 1. Bloqueo del eje 2. Llave 3. Accesorio 4. Tuerca de pinza

## Usando dos llaves

Afloje la tuerca de pinza hacia la izquierda e inserte el accesorio en la tuerca de pinza. Utilice una llave para sujetar el mandril. Utilizando otra llave, gire la tuerca de pinza hacia la derecha para apretar firmemente.

► **Fig.9:** 1. Llave 2. Accesorio 3. Tuerca de pinza

**NOTA:** Si no puede insertar el accesorio en la tuerca de pinza después de aflojar la tuerca de pinza, es posible que el cono de pinza obstruya el accesorio. En ese caso, retire la tuerca de pinza y reposicione el cono de pinza.

El accesorio no debe montarse a más de 10 mm de la tuerca de pinza. Si se excede esta distancia podrá ocasionar vibración o romperse el eje.

► **Fig.10**

## Cambio del cono de pinza

1. Afloje la tuerca de pinza y retírela.
2. Reemplace el cono de pinza instalado con el cono de pinza deseado.
3. Vuelva a instalar la tuerca de pinza.

► **Fig.11:** 1. Tuerca de pinza 2. Cono de pinza

Si no se puede quitar el cono de pinza, sujételo con unos alicates de punta larga y retírelo.

Para evitar la deformación del cono de pinza, no aplique fuerza excesiva cuando haga pinza con él.

► **Fig.12:** 1. Cono de pinza

## OPERACIÓN

**⚠PRECAUCIÓN:** Aplique una presión ligera sobre la herramienta. Una presión excesiva sobre la herramienta solamente ocasionará un mal acabado y una sobrecarga del motor.

**⚠PRECAUCIÓN:** El accesorio continúa girando después de que la herramienta ha sido apagada.

**⚠PRECAUCIÓN:** Sujete la herramienta firmemente con ambas manos.

**⚠PRECAUCIÓN:** Cuando utilice los accesorios que se venden en el comercio, asegúrese siempre que la velocidad nominal de los accesorios sea al menos igual a la velocidad máxima marcada en la herramienta.

Encienda la herramienta sin que el accesorio esté haciendo ningún contacto con la pieza de trabajo y espere hasta que el accesorio alcance plena velocidad. Luego aplique suavemente el accesorio a la pieza de trabajo.

► Fig.13

**NOTA:** Cuando realice un esmerilado lateral, si mueve la herramienta despacio hacia la izquierda puede lograr un buen acabado.

## MANTENIMIENTO

**⚠PRECAUCIÓN:** Asegúrese siempre de que la herramienta está apagada y de que el cartucho de batería está retirado antes de intentar hacer una inspección o mantenimiento.

**AVISO:** No utilice nunca gasolina, bencina, disolvente, alcohol o similares. Podría producir descoloración, deformación o grietas.

Para mantener la SEGURIDAD y FIABILIDAD del producto, las reparaciones, y cualquier otra tarea de mantenimiento o ajuste deberán ser realizadas en centros de servicio o de fábrica autorizados por Makita, empleando siempre repuestos Makita.

## Acondicionamiento de la punta de amolar

Cuando la punta de amolar se encuentre "cargada" con diferentes fragmentos y partículas, deberá acondicionar la punta de amolar con una piedra de acondicionamiento.

## Limpieza de las aberturas de ventilación

La herramienta y sus aberturas de ventilación han de mantenerse limpias. Limpie las aberturas de ventilación de la herramienta regularmente o siempre que comiencen a estar obstruidas.

► Fig.14: 1. Abertura de salida de aire 2. Abertura de entrada de aire

Retire el guardapolvo de la abertura de entrada de aire y límpielo para que el aire circule con suavidad.

► Fig.15: 1. Guardapolvo

**AVISO:** Limpie el guardapolvo cuando esté obturado con polvo o materias extrañas. Si continúa la operación con un guardapolvo obturado puede dañar la herramienta.

## ACCESORIOS OPCIONALES

**⚠PRECAUCIÓN:** Estos accesorios o aditamentos están recomendados para su uso con la herramienta Makita especificada en este manual. El uso de cualquier otro accesorio o aditamento puede suponer un riesgo de heridas personales. Utilice el accesorio o aditamento solamente con la finalidad indicada para el mismo.

Si necesita cualquier ayuda para más detalles en relación con estos accesorios, pregunte al centro de servicio Makita local.

- Puntas de amolar
- Cono de pinza de (3 mm, 6 mm, 8 mm, 1/4", 1/8")
- Tuerca de pinza
- Llave de 13
- Batería y cargador genuinos de Makita

**NOTA:** Algunos elementos de la lista podrán estar incluidos en el paquete de la herramienta como accesorios estándar. Pueden variar de un país a otro.

## ESPECIFICAÇÕES

Modelo:		GD001G	GD002G
Tamanho da pinça (específico para o país)		6 mm ou 6,35 mm (1/4")	
Tamanho máx. do acessório	Diâmetro máx. do rebolo rotativo	32 mm	
	Diâmetro máx. do disco de lixa	52 mm	
	Diâmetro máx. da escova de arame	52 mm	
	Diâmetro máx. do disco de polir	52 mm	
	Diâmetro máx. do acessório de talhar	52 mm	
	Diâmetro máx. do disco de corte	52 mm	
	Comprimento máx. do mandril (haste)	46 mm	
Velocidade nominal (n)/Velocidade em vazio (n <sub>0</sub> )		7.000 - 29.000 min <sup>-1</sup>	
Comprimento total	com BL4040	458 mm	
Peso líquido		2,2 - 3,4 kg	
Tensão nominal		C.C. 36 V - 40 V máx.	

- Devido a um programa contínuo de pesquisa e desenvolvimento, estas especificações estão sujeitas a alteração sem aviso prévio.
- As especificações podem variar de país para país.
- O valor do peso líquido inclui a combinação mais leve e mais pesada do(s) acessório(s) e da(s) bateria(s) que estão especificados no manual de instruções.

### Bateria e carregador aplicável

Bateria	BL4020* / BL4025* / BL4040* / BL4040F* / BL4050F* / BL4080F* *: Bateria recomendada
Carregador	DC40RA / DC40RB / DC40RC / DC40WA / BCC01 / BCC02

- Algumas das baterias e carregadores listados acima poderão não estar disponíveis, dependendo da sua região de residência.

**⚠️ AVISO:** Utilize apenas as baterias e carregadores listados acima. A utilização de quaisquer outras baterias e carregadores pode causar ferimentos e/ou um incêndio.

### Fonte de alimentação ligada por cabo aplicável

Adaptador de baterias tipo mochila	PDC01 / PDC1200 / PDC1500
------------------------------------	---------------------------

- A(s) fonte(s) de alimentação ligada(s) por fio listada(s) acima pode(m) não estar disponível(eis) dependendo da sua região de residência.
- Antes de utilizar a fonte de alimentação ligada por fio, leia as instruções e etiquetas de precaução na mesma.

### Utilização a que se destina

A ferramenta foi concebida para desbastar materiais ferrosos ou rebarbar peças fundidas, assim como para lixagem, escovagem de arame, polimento, talha e corte.

### Ruído

A característica do nível de ruído A determinado de acordo com a EN60745-2-23:

#### Modelo GD001G

Modo de funcionamento	Nível de pressão acústica (L <sub>WA</sub> ):	Nível de potência acústica (L <sub>WA</sub> ):	Variabilidade (K):
Sem carga (disco artificial de 25-50 mm)	78 dB(A)	-	3 dB(A)
Sem carga (disco artificial acima de 50 mm)	80 dB(A)	91 dB(A)	3 dB(A)

## Modelo GD002G

Modo de funcionamento	Nível de pressão acústica ( $L_{pA}$ ) :	Nível de potência acústica ( $L_{WA}$ ) :	Variabilidade (K):
Sem carga (disco artificial de 25-50 mm)	78 dB(A)	-	3 dB(A)
Sem carga (disco artificial acima de 50 mm)	80 dB(A)	91 dB(A)	3 dB(A)

O nível de ruído durante o funcionamento pode exceder 80 dB (A).

**NOTA:** O(s) valor(es) da emissão de ruído indicado(s) foi medido de acordo com um método de teste padrão e pode ser utilizado para comparar duas ferramentas.

**NOTA:** O(s) valor(es) da emissão de ruído indicado(s) pode(m) também ser utilizado(s) numa avaliação preliminar da exposição.

**AVISO:** Utilize protetores auriculares.

**AVISO:** A emissão de ruído durante a utilização real da ferramenta elétrica pode diferir do(s) valor(es) total(ais) indicado(s), dependendo das formas em que a ferramenta é utilizada.

**AVISO:** Certifique-se de identificar as medidas de segurança para proteção do operador que sejam baseadas em uma estimativa de exposição em condições reais de utilização (considerando todas as partes do ciclo de operação, tal como quando a ferramenta está desligada e quando está a funcionar em marcha lenta além do tempo de acionamento).

## Vibração

O valor total da vibração contínua (soma do vetor triaxial) determinado de acordo com a EN60745-2-23:

### Modelo GD001G

Modo de funcionamento	Emissão de vibração ( $a_h$ ) :	Variabilidade (K):
Desbaste de superfície (disco artificial de 25-50 mm)	5,4 m/s <sup>2</sup>	1,5 m/s <sup>2</sup>
Desbaste de superfície (disco artificial acima de 50 mm)	15,2 m/s <sup>2</sup>	1,5 m/s <sup>2</sup>

### Modelo GD002G

Modo de funcionamento	Emissão de vibração ( $a_h$ ) :	Variabilidade (K):
Desbaste de superfície (disco artificial de 25-50 mm)	5,7 m/s <sup>2</sup>	1,5 m/s <sup>2</sup>
Desbaste de superfície (disco artificial acima de 50 mm)	14,6 m/s <sup>2</sup>	1,5 m/s <sup>2</sup>

**NOTA:** O(s) valor(es) total(ais) de vibração indicado(s) foi medido de acordo com um método de teste padrão e pode ser utilizado para comparar duas ferramentas.

**NOTA:** O(s) valor(es) total(ais) de vibração indicado(s) pode(m) também ser utilizado(s) numa avaliação preliminar da exposição.

**AVISO:** A emissão de vibração durante a utilização real da ferramenta elétrica pode diferir do(s) valor(es) total(ais) indicado(s), dependendo das formas em que a ferramenta é utilizada.

**AVISO:** Certifique-se de identificar as medidas de segurança para proteção do operador que sejam baseadas em uma estimativa de exposição em condições reais de utilização (considerando todas as partes do ciclo de operação, tal como quando a ferramenta está desligada e quando está a funcionar em marcha lenta além do tempo de acionamento).

## Declarações de conformidade

*Apenas para os países europeus*

As Declarações de conformidade estão incluídas no Anexo A deste manual de instruções.

## AVISOS DE SEGURANÇA

### Avisos gerais de segurança para ferramentas elétricas

**AVISO** Leia todos os avisos de segurança, instruções, ilustrações e especificações fornecidos com esta ferramenta elétrica. O incumprimento de todas as instruções abaixo enumeradas pode resultar em choque elétrico, incêndio e/ou ferimentos graves.

### Guarde todos os avisos e instruções para futuras referências.

O termo "ferramenta elétrica" nos avisos refere-se às ferramentas elétricas ligadas à corrente elétrica (com cabo) ou às ferramentas elétricas operadas por meio de bateria (sem cabo).

### Avisos de segurança da retificadeira a bateria

Avisos de segurança comuns para operações de desbaste, lixagem, escovagem de arame, polimento, talha ou corte abrasivo:

1. Esta ferramenta elétrica foi concebida para funcionar como ferramenta de desbaste, lixagem, escovagem de arame, polimento, talha ou corte. Leia todos os avisos de segurança, instruções, ilustrações e especificações fornecidos com esta ferramenta elétrica. O incumprimento de todas as instruções abaixo enumeradas pode resultar em choque elétrico, incêndio e/ou ferimentos graves.

2. **Não utilize acessórios que não sejam especificamente designados e recomendados pelo fabricante da ferramenta.** O facto de o acessório poder ser instalado na ferramenta elétrica, não garante um funcionamento com segurança.
  3. **A velocidade nominal dos acessórios de desbaste deve ser, pelo menos, igual à velocidade máxima indicada na ferramenta elétrica.** Os acessórios de desbaste que funcionam em velocidade mais rápida do que a velocidade nominal podem partir-se e ser arremessados.
  4. **O diâmetro externo e a espessura do acessório devem estar dentro da classificação da capacidade da ferramenta elétrica.** Não é possível controlar adequadamente acessórios de tamanho incorreto.
  5. **O tamanho do orifício de encaixe de discos, rolos lixadores ou qualquer outro acessório deve ser adequado ao eixo ou à pinça da ferramenta elétrica.** Os acessórios que não correspondem ao hardware de montagem da ferramenta elétrica ficam desequilibrados, vibram excessivamente e podem provocar perda de controlo.
  6. **Os discos, rolos lixadores, cortadores ou outros acessórios montados no mandril têm de ser inseridos até ao fim dentro da pinça ou da bucha.** Se o mandril não ficar bem fixo e/ou a sobre-elevação do disco for demasiado longa, o disco montado pode soltar-se e ser ejetado a alta velocidade.
  7. **Não utilize acessórios danificados.** Antes de cada utilização, inspecione o acessório, tal como os discos abrasivos, para ver se tem aparas ou rachas, o rolo lixador para ver se tem rachas, rasgões ou desgaste excessivo e a escova de arame para ver se tem arames soltos ou rachados. Se a ferramenta elétrica ou o acessório cair, inspecione quanto a danos ou instale um acessório não danificado. Após inspecionar e instalar um acessório, posicione-se e aos espetadores longe do plano do acessório rotativo e opere a ferramenta elétrica à velocidade máxima sem carga durante um minuto. Geralmente, os acessórios danificados partem-se durante este tempo de ensaio.
  8. **Utilize equipamento de proteção pessoal.** Conforme a aplicação, use um protetor facial, óculos de segurança ou protetores oculares. Conforme apropriado, use uma máscara contra pó, protetores auditivos, luvas e avental com capacidade para proteger contra estilhaços abrasivos pequenos ou fragmentos da peça de trabalho. A proteção ocular deve ter capacidade para proteger contra detritos arremessados durante as várias operações. A máscara de pó ou de respiração deve ter capacidade para filtrar as partículas geradas durante a operação. A exposição prolongada a ruídos de alta intensidade pode provocar perda de audição.
  9. **Mantenha os espetadores afastados da área de trabalho a uma distância segura.** Todas as pessoas que entram na área de trabalho devem usar equipamentos de proteção pessoal. Os estilhaços da peça de trabalho ou de um acessório partido podem ser arremessados e provocar ferimentos em pessoas que se encontram além da área imediata de operação.
  10. **Segure a ferramenta elétrica somente pelas superfícies de agarramento isoladas quando executar uma operação em que o acessório de corte possa entrar em contacto com fios ocultos.** O contacto do acessório de corte com um fio sob tensão pode colocar as peças metálicas expostas da ferramenta elétrica sob tensão e pode provocar um choque elétrico no operador.
  11. **Segure sempre a ferramenta com firmeza na(s) mão(s) durante o arranque.** O binário de reação do motor, enquanto acelera até à velocidade máxima, pode fazer com que a ferramenta gire.
  12. **Utilize braçadeiras para suportar a peça de trabalho sempre que seja prático. Nunca segure uma peça de trabalho pequena numa mão e a ferramenta na outra durante a utilização.** Fixar uma peça de trabalho pequena permite-lhe utilizar a(s) mão(s) para controlar a ferramenta. Os materiais circulares, como as hastas de cavilha, tubos ou tubagens têm tendência para rolar quando estão a ser cortados e podem fazer com que a ponta dobre ou salte na sua direção.
  13. **Nunca pouse a ferramenta elétrica antes de o acessório parar completamente.** O acessório em rotação pode prender na superfície e descontrolar a ferramenta elétrica.
  14. **Depois de mudar as pontas ou de fazer quaisquer ajustes, certifique-se de que a porca da pinça ou a bucha, ou quaisquer outros dispositivos de ajuste estão apertados em segurança.** Os dispositivos de ajuste soltos podem mudar de direção inesperadamente provocando a perda de controlo, bem como os componentes rotativos soltos podem ser arremessados com violência.
  15. **Não utilize a ferramenta elétrica enquanto a carrega ao seu lado.** O contacto acidental com o acessório em rotação pode prender a sua roupa e puxar o acessório na direção do seu corpo.
  16. **Limpe os orifícios de ventilação da ferramenta elétrica regularmente.** A ventoinha do motor atrai pó para dentro da caixa e uma acumulação excessiva de metal pulverizado pode provocar choques elétricos.
  17. **Não utilize a ferramenta perto de materiais inflamáveis.** As faíscas podem incendiar esses materiais.
  18. **Não utilize acessórios que necessitem de refrigerantes líquidos.** A utilização de água ou de outros refrigerantes líquidos pode resultar em eletrocussão ou choque elétrico.
- Avisos sobre recuos e avisos relacionados**  
 O recuo é uma reação repentina a um disco rotativo, uma fita de lixagem, uma escova ou qualquer outro acessório preso ou emperrado. O prendimento ou emperramento provoca a paragem rápida do acessório rotativo que, por sua vez, faz com que a ferramenta elétrica descontrolada seja forçada na direção oposta à da rotação do acessório.  
 Por exemplo, se um rebolo rotativo abrasivo ficar preso ou emperrado na peça de trabalho, a extremidade que está a entrar no ponto onde prendeu pode penetrar na superfície do material fazendo com que o rebolo rotativo salte ou provoque um recuo. O rebolo rotativo pode

saltar na direção do operador ou na direção oposta, dependendo do sentido do movimento do rebolo rotativo no ponto onde ficou preso. Os rebolos rotativos abrasivos também podem partir nessas circunstâncias. O recuo é o resultado da utilização imprópria da ferramenta elétrica e/ou das condições ou procedimentos de utilização incorretos e pode ser evitado tomando as medidas de precaução adequadas indicadas abaixo.

1. **Agarre a ferramenta elétrica com firmeza e posicione-se de forma que o seu corpo e braço possam resistir ao impulso do recuo.** O operador pode controlar as forças de recuo se forem tomadas as devidas precauções.
2. **Tenha cuidado especialmente ao trabalhar em cantos, extremidades afiadas, etc. Evite forçar ou prender o acessório.** Os cantos, as extremidades afiadas ou a utilização de força excessiva tendem a prender o acessório rotativo e provocam perda de controlo ou recuo.
3. **Não instale uma lâmina de serra serrilhada.** Essas lâminas criam recuos frequentes e perda de controlo
4. **Insira sempre a ponta dentro do material na mesma direção em que a extremidade de corte sai do material (que é a mesma direção em que as aparas do material são arremessadas).** Inserir a ferramenta na direção errada faz com que a extremidade de corte da ponta suba pela peça de trabalho e empurre a ferramenta na direção em que a ferramenta está a ser inserida.
5. **Quando utilizar limas rotativas, discos de corte, cortadores de alta velocidade ou cortadores de carboneto de tungsténio, tenha sempre o trabalho firmemente fixado.** Estes discos vão prender se ficarem ligeiramente inclinados na ranhura e podem recuar. Quando um disco de corte prende, o próprio disco geralmente quebra. Quando uma lima rotativa, um cortador de alta velocidade ou um cortador de carboneto de tungsténio prende, pode saltar da ranhura e pode perder o controlo da ferramenta.

#### **Avisos de segurança específicos para operações de desbaste e corte abrasivo:**

1. **Utilize apenas tipos de discos recomendados para a sua ferramenta elétrica e apenas para as aplicações recomendadas. Por exemplo: não desbaste com a lateral de um disco de corte.** Como os discos de corte abrasivos foram concebidos para o desbaste periférico, as forças laterais aplicadas a estes discos podem fazer com que estilhacem.
2. **Não “encrave” um disco de corte nem aplique pressão excessiva. Não tente efetuar um corte demasiadamente profundo.** Sujeitar o disco a esforço excessivo aumenta a carga e a suscetibilidade de torção ou emperramento do disco dentro do corte e a possibilidade de recuo ou quebra do disco.
3. **Não posicione a sua mão em linha com o disco rotativo e por trás do mesmo.** Quando o disco, no ponto de operação, estiver a afastar-se da sua mão, o possível recuo pode arremessar o disco rotativo e a ferramenta elétrica diretamente na sua direção.

4. **Quando o disco ficar preso, emperrado ou quando interromper um corte por qualquer motivo, desligue a ferramenta elétrica e segure-a parada até que o disco pare por completo. Nunca tente remover o disco de corte de dentro do corte enquanto o disco estiver em movimento; caso contrário, pode ocorrer um recuo.** Examine e tome as medidas corretivas para eliminar a causa do prendimento ou do emperramento do disco.
5. **Não reinicie a operação de corte na peça de trabalho. Deixe que o disco atinja a velocidade máxima e volte a colocá-lo cuidadosamente no corte.** O disco pode emperrar, subir ou originar um recuo se voltar a ligar a ferramenta elétrica na peça de trabalho.
6. **Suporte os painéis ou quaisquer peças de trabalho muito grandes para minimizar o risco de o disco prender e recuar.** As peças de trabalho grandes tendem a ceder sob o seu próprio peso. Os suportes têm de ser colocados debaixo da peça de trabalho, perto da linha de corte e da borda da peça de trabalho, nos dois lados do disco.
7. **Tenha cuidado especialmente quando efetuar um “corte de perfuração” em paredes existentes ou outras zonas invisíveis.** O disco exposto pode cortar canos de gás ou de água, fios elétricos ou objetos que podem originar um recuo.

#### **Avisos de segurança específicos para operações de escovagem de arame:**

1. **Lembre-se de que a escova lança filamentos de arame, mesmo durante uma operação normal. Não sujeite os arames a esforço excessivo aplicando uma carga excessiva na escova.** Os filamentos de arame podem penetrar facilmente nas roupas finas e/ou na pele.
2. **Deixe que as escovas funcionem à velocidade operacional durante, pelo menos, um minuto antes de as utilizar. Durante este tempo, ninguém deve permanecer diante da escova ou em linha com a mesma.** Filamentos ou arames soltos serão lançados durante o tempo de funcionamento.
3. **Afaste a descarga da escova de arame rotativa de si.** Pequenas partículas e minúsculos fragmentos de arame podem ser descarregados a alta velocidade durante a utilização destas escovas e podem ficar encravados na sua pele.

#### **Avisos de segurança adicionais:**

1. **A ferramenta deve ser utilizada com rebolos rotativos abrasivos (pedras de amolar) ligados, montados permanentemente num mandril plano, não roscado (hastes).**
2. **Antes de ligar o interruptor da ferramenta, certifique-se de que o rebolo rotativo não está em contacto com a peça de trabalho.**
3. **Antes de utilizar a ferramenta na peça de trabalho, deixe-a funcionar por alguns instantes. Observe se há vibrações ou movimentos irregulares que possam indicar uma má instalação ou desequilíbrio do rebolo rotativo.**
4. **Utilize a superfície especificada do rebolo para realizar o desbaste.**

5. Tenha cuidado com as faíscas que saltam. Agarre a ferramenta de modo que as faíscas não saltem na sua direção, na direção de outras pessoas ou de materiais inflamáveis.
6. Não deixe a ferramenta a funcionar. Utilize a ferramenta só quando estiver a segurá-la.
7. Não toque na peça de trabalho imediatamente após a operação; pode estar muito quente e causar queimaduras.
8. Observe as instruções do fabricante para a montagem e utilização corretas dos rebolos rotativos. Manuseie e guarde os rebolos rotativos com cuidado.
9. Verifique se a peça de trabalho está suportada adequadamente.
10. Não utilize a ferramenta em qualquer material que contenha amianto.
11. Mantenha-se sempre numa posição firme e equilibrada. Certifique-se de que ninguém está por baixo quando utiliza a ferramenta em locais altos.
7. Não queime a bateria mesmo que esteja estragada ou completamente gasta. A bateria pode explodir no fogo.
8. Não pregue, corte, esmague, atire, deixe cair a bateria, nem bata a bateria contra um objeto rijo. Esta conduta pode resultar num incêndio, em calor excessivo ou numa explosão.
9. Não utilize uma bateria danificada.
10. As baterias de iões de lítio contidas na ferramenta são sujeitas aos requisitos da DGL (Dangerous Goods Legislation - Legislação de bens perigosos).  
Para o transporte comercial, por exemplo, por terceiros ou agentes de expedição, têm de ser observados os requisitos referentes à embalagem e etiquetagem.  
Para preparação do artigo a ser expedido, é necessário consultar um perito em materiais perigosos. Tenha ainda em conta a possibilidade de existirem regulamentos nacionais mais detalhados.  
Coloque fita-cola ou tape os contactos abertos e embale a bateria de tal forma que não possa mover-se dentro da embalagem.

## GUARDE ESTAS INSTRUÇÕES.

**⚠AVISO:** NÃO permita que o conforto ou familiaridade com o produto (adquirido com o uso repetido) substitua o cumprimento estrito das regras de segurança da ferramenta. A MÁ INTERPRETAÇÃO ou o não seguimento das regras de segurança estabelecidas neste manual de instruções pode provocar ferimentos pessoais graves.

### Instruções de segurança importantes para a bateria

1. Antes de utilizar a bateria, leia todas as instruções e etiquetas de precaução no (1) carregador de bateria (2) bateria e (3) produto que utiliza a bateria.
2. Não desmonte ou manipule a bateria. Pode resultar num incêndio, em calor excessivo ou numa explosão.
3. Se o tempo de funcionamento se tornar excessivamente curto, pare o funcionamento imediatamente. Pode resultar em sobreaquecimento, possíveis queimaduras e mesmo explosão.
4. Se entrar eletrólito nos seus olhos, lave-os com água e consulte imediatamente um médico. Pode resultar em perda de visão.
5. Não coloque a bateria em curto-circuito:
  - (1) Não toque nos terminais com qualquer material condutor.
  - (2) Evite guardar a bateria juntamente com outros objetos metálicos tais como pregos, moedas, etc.
  - (3) Não exponha a bateria à água ou chuva. Um curto-circuito pode ocasionar um enorme fluxo de corrente, sobreaquecimento, possíveis queimaduras e mesmo estragar-se.
6. Não guarde nem utilize a ferramenta e a bateria em locais onde a temperatura pode atingir ou exceder 50 °C.
11. Quando eliminar a bateria, remova-a da ferramenta e elimine-a num local seguro. Siga os regulamentos locais relacionados com a eliminação de baterias.
12. Utilize as baterias apenas com os produtos especificados pela Makita. Instalar as baterias em produtos não-conformes poderá resultar num incêndio, calor excessivo, explosão ou fuga de eletrólito.
13. Se a ferramenta não for utilizada durante um período de tempo prolongado, a bateria deve ser removida da ferramenta.
14. Durante e após a utilização, a bateria pode aquecer, o que pode provocar queimaduras ou queimaduras a baixa temperatura. Preste atenção ao manuseamento de baterias quentes.
15. Não toque no terminal da ferramenta imediatamente após a utilização, pois pode ficar suficientemente quente para provocar queimaduras.
16. Não permita a adesão de aparas, pó ou sujidade nos terminais, nos orifícios e nas ranhuras da bateria. Poderá fazer com que a ferramenta ou a bateria aqueça, incendeie, rebente e avarie, resultando em queimaduras ou ferimentos corporais.
17. A menos que a ferramenta suporte a utilização perto de linhas elétricas de alta tensão, não utilize a bateria perto de linhas elétricas de alta tensão. Pode resultar no mau funcionamento ou na avaria da ferramenta ou bateria.
18. Mantenha a bateria afastada das crianças.

## GUARDE ESTAS INSTRUÇÕES.

**⚠PRECAUÇÃO:** Utilize apenas baterias genuínas da Makita. A utilização de baterias não genuínas da Makita ou de baterias que foram alteradas, pode resultar no rebentamento da bateria provocando incêndios, ferimentos pessoais e danos. Além disso, anulará da garantia da Makita no que se refere à ferramenta e ao carregador Makita.

**OBSERVAÇÃO:** A Makita não é responsável por quaisquer acidentes resultantes do uso de baterias não genuínas da Makita ou baterias que tenham sido modificadas. As baterias genuínas da Makita foram rigorosamente avaliadas quanto a compatibilidade com as ferramentas e os carregadores da Makita, em linha com a legislação e as normas de segurança aplicáveis.

## Conselhos para manter a máxima vida útil da bateria

1. Carregue a bateria antes que esteja completamente descarregada. Pare sempre o funcionamento da ferramenta e carregue a bateria quando notar menos poder na ferramenta.
2. Nunca carregue uma bateria completamente carregada. Carregamento excessivo diminui a vida útil da bateria.
3. Carregue a bateria à temperatura ambiente de 10 °C – 40 °C. Deixe que uma bateria quente arrefeça antes de a carregar.
4. Quando não utilizar a bateria, remova-a da ferramenta ou do carregador.
5. Carregue a bateria se não a utilizar durante um longo período de tempo (mais de seis meses).

## DESCRIÇÃO FUNCIONAL

**AVISO:** Certifique-se sempre de que a ferramenta está desligada e a bateria foi retirada antes de regular ou verificar qualquer função na ferramenta.

### Instalação ou remoção da bateria

**PRECAUÇÃO:** Desligue sempre a ferramenta antes de colocar ou retirar a bateria.

**PRECAUÇÃO:** Segure firmemente a ferramenta e a bateria quando instalar ou remover a bateria. Se não segurar firmemente a ferramenta e a bateria pode fazer com que escorreguem das suas mãos resultando em danos na ferramenta e na bateria e ferimentos pessoais.

Para instalar a bateria, alinhe a lingueta na bateria com a ranhura na caixa e deslize-a para a posição correta. Insira-a por completo até bloquear na posição correta com um pequeno clique. Se conseguir ver o indicador vermelho conforme apresentado na figura, não está completamente bloqueada.

Para retirar a bateria, deslize-a para fora da ferramenta enquanto desliza o botão na frente da bateria.

► Fig.1: 1. Indicador vermelho 2. Botão 3. Bateria

**PRECAUÇÃO:** Instale sempre a bateria até ao fim, até deixar de ver o indicador vermelho. Caso contrário, a bateria poderá cair da ferramenta acidentalmente e provocar ferimentos em si mesmo ou em alguém próximo.

**PRECAUÇÃO:** Não instale a bateria à força. Se a bateria não deslizar facilmente é porque não foi colocada corretamente.

## Indicação da capacidade restante da bateria

Prima o botão de verificação na bateria para indicar a capacidade restante da bateria. As luzes indicadoras acendem durante alguns segundos.

► Fig.2: 1. Luzes indicadoras 2. Botão de verificação

Luzes indicadoras			Capacidade restante
Aceso	Apagado	A piscar	
■ ■ ■ ■	□ □ □ □	□ □ □ □	75% a 100%
■ ■ ■ □	□ □ □ □	□ □ □ □	50% a 75%
■ ■ □ □	□ □ □ □	□ □ □ □	25% a 50%
■ □ □ □	□ □ □ □	□ □ □ □	0% a 25%
■ □ □ □	□ □ □ □	□ □ □ □	Carregar a bateria.
■ ■ □ □	□ □ □ □	□ □ □ □	A bateria pode estar avariada.
□ □ ■ ■	□ □ □ □	□ □ □ □	

**NOTA:** Dependendo das condições de utilização e da temperatura ambiente, a indicação pode ser ligeiramente diferente da capacidade real.

**NOTA:** A primeira luz indicadora (extremo esquerdo) pisca quando o sistema de proteção da bateria funciona.

## Sistema de proteção da ferramenta/bateria

A ferramenta está equipada com um sistema de proteção da ferramenta/bateria. Este sistema corta automaticamente a corrente para o motor para aumentar a vida da ferramenta e da bateria. A ferramenta para automaticamente durante o funcionamento se a ferramenta ou bateria for colocada mediante uma das seguintes condições:

### Proteção contra sobrecarga

Quando a ferramenta/bateria é operada de forma que puxe uma corrente anormalmente elevada, a ferramenta para automaticamente sem qualquer indicação. Nesta situação, desligue a ferramenta e pare a aplicação que causou a sobrecarga da ferramenta. Em seguida, ligue a ferramenta para reiniciar.

## Proteção contra sobreaquecimento

Quando a ferramenta/bateria estiver sobreaquecida, a ferramenta para automaticamente e a lâmpada pisca. Deixe a ferramenta arrefecer antes de ligá-la novamente.

## Proteção contra descarga excessiva

Quando a capacidade da bateria não é suficiente, a ferramenta para automaticamente. Neste caso, retire a bateria da ferramenta e carregue-a.

## Soltar o bloqueio de proteção

Quando o sistema de proteção funciona repetidamente, a ferramenta é bloqueada.

Nesta situação, a ferramenta não começa a funcionar mesmo que desligue e ligue a ferramenta. Para soltar o bloqueio de proteção, retire a bateria, coloque-a no carregador da bateria e aguarde até o carregamento terminar.

## Proteções contra outras causas

O sistema de proteção foi também concebido para outras causas que possam danificar a ferramenta e permite à ferramenta parar automaticamente. Tome todas as medidas que se seguem para eliminar as causas quando a ferramenta tiver parado ou interrompido temporariamente a operação.

1. Certifique-se de que todos os interruptores estão na posição de desligado e, em seguida, ligue novamente a ferramenta para voltar a arrancar.
2. Carregue a(s) bateria(s) ou substitua-a(s) por bateria(s) recarregada(s).
3. Deixe a ferramenta e a(s) bateria(s) arrefecerem.

Se não for possível constatar qualquer melhoria através do restauro do sistema de proteção, contacte o centro de assistência Makita local.

## Bloqueio do eixo

**AVISO:** Nunca acione o bloqueio do eixo quando o eixo estiver em movimento. Poderá causar ferimentos graves ou danos na ferramenta.

**AVISO:** Certifique-se de que o bloqueio do eixo volta totalmente à sua posição original após soltá-lo.

Pressione o bloqueio do eixo para impedir a rotação do eixo quando instalar ou remover acessórios.

► **Fig.3:** 1. Bloqueio do eixo

## Ação do interruptor

*Apenas para o modelo GD001G*

**PRECAUÇÃO:** Antes de instalar a bateria na ferramenta, verifique sempre se o interruptor deslizante funciona corretamente e regressa à posição de desligado quando se carrega na parte de trás do interruptor deslizante.

**PRECAUÇÃO:** O interruptor pode ser bloqueado na posição de ligado para maior conforto do operador durante a utilização prolongada. Tenha cuidado ao bloquear a ferramenta na posição de ligada e segure-a com firmeza.

Para arrancar a ferramenta, deslize o interruptor deslizante para a posição "I (LIGADO)". Para um funcionamento contínuo, pressione a extremidade dianteira do interruptor deslizante para baixo para o bloquear. Para parar a ferramenta, pressione a extremidade traseira do interruptor deslizante para baixo e, em seguida, deslize-o para a posição "O (DESLIGADO)".

► **Fig.4:** 1. Interruptor deslizante

*Apenas para o modelo GD002G*

**PRECAUÇÃO:** Antes de instalar a bateria na ferramenta, verifique sempre se a alavanca do interruptor funciona corretamente e volta à posição "OFF (Desligado)" quando libertada.

**PRECAUÇÃO:** Para sua segurança, esta ferramenta está equipada com uma alavanca de desbloqueio que impede a ferramenta de arrancar não intencionalmente. NUNCA utilize a ferramenta se esta funcionar quando puxa simplesmente a alavanca do interruptor sem puxar a alavanca de desbloqueio. Devolva a ferramenta ao nosso centro de assistência autorizado para obter as reparações adequadas ANTES de continuar a utilizá-la.

**PRECAUÇÃO:** Não puxe a alavanca do interruptor com força sem puxar a alavanca de desbloqueio. Esta ação pode provocar a quebra do interruptor.

**PRECAUÇÃO:** NUNCA coloque fita nem prejudique o funcionamento e a finalidade da alavanca de desbloqueio.

Para evitar que a alavanca do interruptor seja acionada acidentalmente, existe uma alavanca de desbloqueio. Para começar a utilizar a ferramenta, puxe a alavanca de desbloqueio em direção ao operador e carregue na alavanca do interruptor.

Para parar a ferramenta, solte a alavanca do interruptor.

► **Fig.5:** 1. Alavanca de desbloqueio 2. Alavanca do interruptor

## Indicador de ajuste da velocidade

A velocidade de rotação da ferramenta pode ser alterada ao rodar o indicador de ajuste da velocidade. A tabela seguinte mostra o número no indicador e a velocidade de rotação correspondente.

► **Fig.6:** 1. Indicador de ajuste da velocidade

Número	Velocidade
1	7.000 min <sup>-1</sup>
2	12.500 min <sup>-1</sup>
3	18.000 min <sup>-1</sup>
4	23.500 min <sup>-1</sup>
5	29.000 min <sup>-1</sup>

**OBSERVAÇÃO:** Se a ferramenta for operada continuamente a velocidade baixa durante um período prolongado, o motor fica sobrecarregado resultando na avaria da ferramenta.

**OBSERVAÇÃO:** O disco de ajuste da velocidade só pode ser rodado até 5 e de volta ao 1. Não o force além de 5 ou 1 ou a função de ajuste da velocidade pode deixar de funcionar.

## Acender a lâmpada da frente

**⚠PRECAUÇÃO:** Não olhe para a luz ou para a fonte de iluminação diretamente.

A lâmpada da frente acende durante 10 segundos após instalar a bateria ou acende continuamente enquanto o interruptor está ON (Ligado).

A lâmpada apaga 10 segundos após o interruptor ser colocado em OFF (Desligado).

► Fig.7: 1. Lâmpada da frente

## Desativar ou ativar o estado da lâmpada

Para desativar ou ativar o estado da lâmpada, siga os passos abaixo.

1. Insira a bateria na ferramenta.
2. Defina o indicador de ajuste da velocidade para "5".
3. Rode o indicador de ajuste da velocidade para "4" e depois defina-o novamente para "5".

**NOTA:** O estado da lâmpada pode ser alterado no espaço de 10 segundos após a inserção da bateria. Assim que o interruptor estiver ligado, o estado da lâmpada não pode ser alterado, mesmo que este se encontre no espaço de 10 segundos após a inserção da bateria.

**NOTA:** O estado da lâmpada também pode ser alterado definindo o indicador de ajuste da velocidade para "1" - "5" - "1".

**NOTA:** Para voltar a definir o estado da lâmpada, remova primeiro a bateria e, em seguida, ajuste o indicador de ajuste da velocidade.

**NOTA:** O estado da lâmpada será o mesmo que da última vez em que a ferramenta foi utilizada.

## Função de prevenção de reinício acidental

Quando instalar a bateria enquanto o interruptor está ligado, a ferramenta não arranca.

Para iniciar a ferramenta, desligue o interruptor e ligue-o novamente.

## Tecnologia de deteção retorno ativa

A ferramenta deteta eletronicamente as situações em que a roda ou acessório possam estar em risco de dobrar. Quando está nessa situação, a ferramenta desliga-se automaticamente para impedir que o eixo gire mais (não impede o ressalto).

Para reiniciar a ferramenta, primeiro desligue-a, remova a causa da queda brusca na velocidade de rotação e volte a ligar a ferramenta.

## Funcionalidade de arranque suave

A funcionalidade de arranque suave reduz a reação de arranque.

## Controlo de velocidade constante

Possibilidade de obter um acabamento delicado, porque a velocidade de rotação é mantida constante, mesmo sob a condição carregada.

## Travão elétrico

O travão elétrico é ativado depois de a ferramenta ser desligada.

O travão não funciona se a fonte de alimentação estiver desligada, por exemplo, se a bateria for removida acidentalmente, com o interruptor ainda ligado.

## MONTAGEM

**⚠PRECAUÇÃO:** Certifique-se sempre de que a ferramenta está desligada e a bateria retirada antes de executar qualquer trabalho na ferramenta.

## Instalar ou remover o acessório

**⚠PRECAUÇÃO:** Utilize o cone da pinça do tamanho correto para o acessório que pretende utilizar.

**OBSERVAÇÃO:** Não aperte a porca da pinça sem inserir um acessório. Caso contrário, tal pode dar origem à quebra do cone da pinça.

## Utilizar o bloqueio do eixo

Pressione firmemente o bloqueio do eixo de modo que o eixo não possa girar. Desaperte a porca da pinça rodando-a para a esquerda e insira o acessório na porca da pinça. Aperte a porca da pinça para a direita utilizando a chave.

► Fig.8: 1. Bloqueio do eixo 2. Chave 3. Acessório 4. Porca da pinça

## Utilizar duas chaves

Desaperte a porca da pinça rodando-a para a esquerda e insira o acessório na porca da pinça. Utilize uma chave para fixar o eixo. Utilizando outra chave, rode a porca da pinça para a direita para apertar firmemente.

► Fig.9: 1. Chave 2. Acessório 3. Porca da pinça

**NOTA:** Se não conseguir inserir o acessório dentro da porca da pinça depois de soltar a porca da pinça, o cone da pinça pode obstruir o acessório. Nesse caso, remova a porca da pinça e reposicione o cone da pinça.

O acessório não deve ser montado a mais de 10 mm da porca da pinça. A ultrapassagem desta distância pode provocar vibrações ou um eixo partido.

► Fig.10

## Mudar o cone da pinça

1. Solte a porca da pinça e remova-a.
2. Substitua o cone da pinça instalado pelo cone da pinça pretendido.
3. Volte a instalar a porca da pinça.

► Fig.11: 1. Porca da pinça 2. Cone da pinça

Se não for possível remover o cone da pinça, aperte o cone da pinça com o alicate de pontas e remova-o. Para evitar a deformação do cone da pinça, não aplique uma força excessiva quando o apertar.

► Fig.12: 1. Cone da pinça

## OPERAÇÃO

**⚠PRECAUÇÃO:** Exerça uma ligeira pressão sobre a ferramenta. Uma pressão excessiva na ferramenta provocará um acabamento imperfeito e uma sobrecarga do motor.

**⚠PRECAUÇÃO:** O acessório continua a rodar depois de a ferramenta ser desligada.

**⚠PRECAUÇÃO:** Segure a ferramenta firmemente com as duas mãos.

**⚠PRECAUÇÃO:** Quando utilizar os acessórios que são vendidos no mercado, certifique-se sempre de que a velocidade nominal dos acessórios deve ser, pelo menos, igual à velocidade máxima indicada na ferramenta.

Ligue a ferramenta sem que o acessório estabeleça qualquer contacto com a peça de trabalho e espere até o acessório atingir a velocidade máxima. Em seguida, aplique o acessório suavemente na peça de trabalho.

► Fig.13

**NOTA:** Quando operar o desbaste lateral, a movimentação lenta da ferramenta na direção para a esquerda pode assegurar um bom acabamento.

## MANUTENÇÃO

**⚠PRECAUÇÃO:** Certifique-se sempre de que a ferramenta se encontra desligada e de que a bateria foi retirada antes de executar qualquer inspeção ou manutenção.

**OBSERVAÇÃO:** Nunca utilize gasolina, benzina, diluente, álcool ou produtos semelhantes. Pode ocorrer a descoloração, deformação ou rachaduras.

Para manter a SEGURANÇA e a FIABILIDADE do produto, as reparações e qualquer outra manutenção ou ajuste devem ser levados a cabo pelos centros de assistência Makita autorizados ou pelos centros de assistência de fábrica, utilizando sempre peças de substituição Makita.

## Afiar o ponteiro rotativo

Quando houver um excesso de partículas e fragmentos metálicos no ponteiro rotativo, deve extrai-los mediante a utilização de uma pedra retificadora.

## Limpeza do ventilador de ar

A ferramenta e os respetivos ventiladores de ar têm de ser mantidos limpos. Limpe regularmente os ventiladores de ar da ferramenta ou sempre que os ventiladores comecem a ficar obstruídos.

► Fig.14: 1. Ventilador de exaustão 2. Ventilador de inalação

Retire a cobertura contra a poeira do ventilador de respiração e limpe-a para que a circulação de ar seja mais fácil.

► Fig.15: 1. Cobertura contra a poeira

**OBSERVAÇÃO:** Limpe a cobertura contra a poeira quando estiver entupida com poeira ou outros materiais estranhos. Continuar a operação com uma cobertura contra a poeira entupida, pode danificar a ferramenta.

## ACESSÓRIOS OPCIONAIS


**⚠PRECAUÇÃO:** Estes acessórios ou peças são recomendados para utilização com a ferramenta Makita especificada neste manual. A utilização de outros acessórios ou peças pode ser perigosa para as pessoas. Utilize apenas acessórios ou peças para os fins indicados.

Se necessitar de informações adicionais relativas a estes acessórios, solicite-as ao seu centro de assistência Makita.

- Ponteiros rotativos
- Cone da pinça (3 mm, 6 mm, 8 mm, 1/4", 1/8")
- Porca da pinça
- Chave 13
- Bateria e carregador genuínos da Makita

**NOTA:** Alguns itens da lista podem estar incluídos na embalagem da ferramenta como acessórios padrão. Eles podem variar de país para país.

## ΠΡΟΔΙΑΓΡΑΦΕΣ

Μοντέλο:		GD001G	GD002G
Μέγεθος κολάρου (ειδικό της χώρας)		6 mm ή 6,35 mm (1/4")	
Μέγ. μέγεθος εξαρτήματος	Μέγ. διάμετρος ακίδας τροχού 	32 mm	
	Μέγ. διάμετρος τροχού γυαλοχαρτίσματος	52 mm	
	Μέγ. διάμετρος συμμάτινης βούρτσας	52 mm	
	Μέγ. διάμετρος τροχού στίλβωματος	52 mm	
	Μέγ. διάμετρος εξαρτήματος σμίλευσης	52 mm	
	Μέγ. διάμετρος τροχού αποκοπής	52 mm	
	Μέγ. μήκος συγκρατητή (στέλεχος)	46 mm	
Όνομαστική ταχύτητα (n)/Ταχύτητα χωρίς φορτίο (n <sub>0</sub> )		7.000 - 29.000 min <sup>-1</sup>	
Συνολικό μήκος	με BL4040	458 mm	
Καθαρό βάρος		2,2 - 3,4 kg	
Όνομαστική τάση		D.C. 36 V - 40 V μέγ.	

- Λόγω του συνεχιζόμενου προγράμματος έρευνας και ανάπτυξης, οι προδιαγραφές αυτές υπόκεινται σε αλλαγές χωρίς προειδοποίηση.
- Τα τεχνικά χαρακτηριστικά μπορεί να διαφέρουν από χώρα σε χώρα.
- Η τιμή καθαρού βάρους περιλαμβάνει τον ελαφρύτερο και βαρύτερο συνδυασμό του προσαρτήματος ή προσαρτημάτων και της κασέτας μπαταριών ή κασετών μπαταριών που καθορίζονται στο εγχειρίδιο οδηγιών.

### Ισχύουσα κασέτα μπαταριών και φορτιστής

Κασέτα μπαταρίας	BL4020* / BL4025* / BL4040* / BL4040F* / BL4050F* / BL4080F * : Συνιστώμενη μπαταρία
Φορτιστής	DC40RA / DC40RB / DC40RC / DC40WA / BCC01 / BCC02

- Ορισμένες από τις κασέτες και τους φορτιστές μπαταριών που αναγράφονται παραπάνω ίσως να μην είναι διαθέσιμοι, ανάλογα με την τοποθεσία κατοικίας σας.

**⚠ ΠΡΟΕΙΔΟΠΟΙΗΣΗ:** Να χρησιμοποιείτε μόνο τις κασέτες μπαταριών και τους φορτιστές που παρατίθενται ανωτέρω. Η χρήση οποιασδήποτε άλλης κασέτας μπαταριών ή φορτιστή μπορεί να προκαλέσει τραυματισμό ή/και πυρκαγιά.

### Εφαρμοσμένη ενσύρματη πηγή τροφοδοσίας

Φορητή ηλεκτρική τροφοδότηση	PDC01 / PDC1200 / PDC1500
------------------------------	---------------------------

- Οι ενσύρματες πηγές τροφοδοσίας που αναγράφονται παραπάνω μπορεί να μην είναι διαθέσιμες, ανάλογα με την περιοχή της κατοικίας σας.
- Πριν χρησιμοποιήσετε την ενσύρματη πηγή τροφοδοσίας, διαβάστε τις οδηγίες και τις ενδείξεις προφυλάξεων που αναγράφονται σε αυτή.

### Προοριζόμενη χρήση

Το εργαλείο προορίζεται για τη λείανση σιδηρούχων υλικών ή απομάκρυνση γρεζιών σε χυτά τεμάχια, καθώς και για λείανση, βούρτσισμα με συμμάτινη βούρτσα, στίλβωμα, σμίλευση και αποκοπή.

## Θορύβος

Το τυπικό Α επίπεδο καταμετρημένου θορύβου καθορίζεται σύμφωνα με το EN60745-2-23:

### Μοντέλο GD001G

Είδος εργασίας	Στάθμη ηχητικής πίεσης ( $L_{pA}$ ):	Στάθμη ηχητικής ισχύος ( $L_{WA}$ ):	Αβεβαιότητα (K):
Χωρίς φορτίο (τεχνητός τροχός 25-50 mm)	78 dB (A)	-	3 dB (A)
Χωρίς φορτίο (τεχνητός τροχός άνω των 50 mm)	80 dB (A)	91 dB (A)	3 dB (A)

### Μοντέλο GD002G

Είδος εργασίας	Στάθμη ηχητικής πίεσης ( $L_{pA}$ ):	Στάθμη ηχητικής ισχύος ( $L_{WA}$ ):	Αβεβαιότητα (K):
Χωρίς φορτίο (τεχνητός τροχός 25-50 mm)	78 dB (A)	-	3 dB (A)
Χωρίς φορτίο (τεχνητός τροχός άνω των 50 mm)	80 dB (A)	91 dB (A)	3 dB (A)

Η ένταση θορύβου υπό συνθήκες εργασίας μπορεί να υπερβεί τα 80 dB (A).

**ΠΑΡΑΤΗΡΗΣΗ:** Η δηλωμένη τιμή(ές) εκπομπής θορύβου έχει μετρηθεί σύμφωνα με την πρότυπη μέθοδο δοκιμής και μπορεί να χρησιμοποιηθεί για τη σύγκριση ενός εργαλείου με κάποιο άλλο.

**ΠΑΡΑΤΗΡΗΣΗ:** Η δηλωμένη τιμή(ές) εκπομπής θορύβου μπορεί να χρησιμοποιηθεί και στην προκαταρκτική αξιολόγηση της έκθεσης.

**ΠΡΟΕΙΔΟΠΟΙΗΣΗ:** Να φοράτε ωτοασπίδες.

**ΠΡΟΕΙΔΟΠΟΙΗΣΗ:** Η εκπομπή θορύβου κατά τη χρήση του ηλεκτρικού εργαλείου σε πραγματικές συνθήκες μπορεί να διαφέρει από τη δηλωμένη ολική τιμή ή τιμές ανάλογα με τους τρόπους χρήσης του εργαλείου.

**ΠΡΟΕΙΔΟΠΟΙΗΣΗ:** Φροντίστε να λάβετε τα κατάλληλα μέτρα προστασίας του χειριστή βάσει ενός υπολογισμού της έκθεσης σε πραγματικές συνθήκες χρήσης (λαμβάνοντας υπόψη όλες τις συνιστώσες του κύκλου λειτουργίας όπως τους χρόνους που το εργαλείο είναι εκτός λειτουργίας και όταν βρίσκεται σε αδρανή λειτουργία πέραν του χρόνου ενεργοποίησης).

## Κραδασμός

Η ολική τιμή συνεχούς δόνησης (άθροισμα τρι-αξονικού διανύσματος) καθορίζεται σύμφωνα με το πρότυπο EN60745-2-23:

### Μοντέλο GD001G

Είδος εργασίας	Εκπομπή δόνησης ( $a_{h1}$ ):	Αβεβαιότητα (K):
Λείανση επιφάνειας (τεχνητός τροχός 25-50 mm)	5,4 m/s <sup>2</sup>	1,5 m/s <sup>2</sup>
Λείανση επιφάνειας (τεχνητός τροχός άνω των 50 mm)	15,2 m/s <sup>2</sup>	1,5 m/s <sup>2</sup>

### Μοντέλο GD002G

Είδος εργασίας	Εκπομπή δόνησης ( $a_{h1}$ ):	Αβεβαιότητα (K):
Λείανση επιφάνειας (τεχνητός τροχός 25-50 mm)	5,7 m/s <sup>2</sup>	1,5 m/s <sup>2</sup>
Λείανση επιφάνειας (τεχνητός τροχός άνω των 50 mm)	14,6 m/s <sup>2</sup>	1,5 m/s <sup>2</sup>

**ΠΑΡΑΤΗΡΗΣΗ:** Η δηλωμένη τιμή(ές) συνολικών κραδασμών έχει μετρηθεί σύμφωνα με την πρότυπη μέθοδο δοκιμής και μπορεί να χρησιμοποιηθεί για τη σύγκριση ενός εργαλείου με κάποιο άλλο.

**ΠΑΡΑΤΗΡΗΣΗ:** Η δηλωμένη ολική τιμή ή τιμές δόνησης μπορεί να χρησιμοποιηθεί και στην προκαταρκτική αξιολόγηση της έκθεσης.

**ΠΡΟΕΙΔΟΠΟΙΗΣΗ:** Η εκπομπή δόνησης κατά τη χρήση του ηλεκτρικού εργαλείου σε πραγματικές συνθήκες μπορεί να διαφέρει από τη δηλωμένη ολική τιμή ή τιμές ανάλογα με τους τρόπους χρήσης του εργαλείου.

**ΠΡΟΕΙΔΟΠΟΙΗΣΗ:** Φροντίστε να λάβετε τα κατάλληλα μέτρα προστασίας του χειριστή βάσει ενός υπολογισμού της έκθεσης σε πραγματικές συνθήκες χρήσης (λαμβάνοντας υπόψη όλες τις συνιστώσες του κύκλου λειτουργίας όπως τους χρόνους που το εργαλείο είναι εκτός λειτουργίας και όταν βρίσκεται σε αδρανή λειτουργία πέραν του χρόνου ενεργοποίησης).

## Δήλωση Συμμόρφωσης

Μόνο για χώρες της Ευρώπης

Οι Δηλώσεις Συμμόρφωσης περιλαμβάνονται στο Παράρτημα Α στο παρόν εγχειρίδιο οδηγιών.

# ΠΡΟΕΙΔΟΠΟΙΗΣΕΙΣ ΑΣΦΑΛΕΙΑΣ

## Γενικές προειδοποιήσεις ασφαλείας για το ηλεκτρικό εργαλείο

**▲ΠΡΟΕΙΔΟΠΟΙΗΣΗ** Διαβάστε όλες τις προειδοποιήσεις ασφάλειας, οδηγίες, εικονογραφήσεις και προδιαγραφές που παρέχονται με αυτό το ηλεκτρικό εργαλείο. Η μη τήρηση όλων των οδηγιών που αναγράφονται κατωτέρω μπορεί να καταλήξει σε ηλεκτροπληξία, πυρκαγιά ή/και σοβαρό τραυματισμό.

## Φυλάξτε όλες τις προειδοποιήσεις και τις οδηγίες για μελλοντική παραπομπή.

Στις προειδοποιήσεις, ο όρος «ηλεκτρικό εργαλείο» αναφέρεται σε ηλεκτρικό εργαλείο που τροφοδοτείται από την κύρια παροχή ηλεκτρικού ρεύματος (με ηλεκτρικό καλώδιο) ή σε ηλεκτρικό εργαλείο που τροφοδοτείται από μπαταρία (χωρίς ηλεκτρικό καλώδιο).

## Προειδοποιήσεις ασφαλείας για τον φορητό ευθυλιαντήρα

Προειδοποιήσεις ασφαλείας, κοινές για εργασίες λείανσης, γυαλοχαρτίσματος, καθαρισμού με συμπιεστική βούρτσα ή λειαντικής αποκοπής:

1. Αυτό το ηλεκτρικό εργαλείο προορίζεται για χρήση ως εργαλείο λείανσης, γυαλοχαρτίσματος, καθαρισμού με συμπιεστική βούρτσα, στίλβωσης, σμίλευσης ή αποκοπής. Διαβάστε όλες τις προειδοποιήσεις ασφαλείας, οδηγίες, εικονογραφήσεις και προδιαγραφές που παρέχονται με αυτό το ηλεκτρικό εργαλείο. Η μη τήρηση όλων των οδηγιών που αναγράφονται κατωτέρω μπορεί να καταλήξει σε ηλεκτροπληξία, φωτιά ή/και σοβαρό τραυματισμό.
2. Μη χρησιμοποιείτε εξαρτήματα που δεν έχουν σχεδιαστεί ειδικά για το συγκεκριμένο εργαλείο και δεν συνιστώνται από τον κατασκευαστή του. Η χρήση ενός εξαρτήματος απλά και μόνο επειδή μπορεί να προσαρμοστεί στο ηλεκτρικό εργαλείο δεν διασφαλίζει την ασφαλή λειτουργία του.
3. Η ονομαστική ταχύτητα των εξαρτημάτων λείανσης πρέπει να είναι τουλάχιστον ίση με τη μέγιστη ταχύτητα που είναι σημειωμένη στο ηλεκτρικό εργαλείο. Εξαρτήματα λείανσης που λειτουργούν ταχύτερα από την ονομαστική ταχύτητα τους μπορεί να σπασούν και να εκτοξευθούν.
4. Η εξωτερική διάμετρος και το πάχος του εξαρτήματος πρέπει να βρίσκεται εντός των ορίων της ονομαστικής ικανότητάς του ηλεκτρικού εργαλείου. Δεν είναι επιτρεπτός ο επαρκής έλεγχος εξαρτημάτων εσφαλμένου μεγέθους.
5. Το μέγεθος της σπής προσαρμογής των τροχών, των κυλίνδρων λείανσης ή οποιωνδήποτε άλλων εξαρτημάτων πρέπει να ταιριάζει απολύτως στην άτρακτο ή στο κολάρο του ηλεκτρικού εργαλείου. Τα εξαρτήματα που δεν ταιριάζουν με το εξάρτημα στερέωσης του ηλεκτρικού

εργαλείου θα παρουσιάσουν υποβαθμισμένη ζυγοστάθμιση, υπερβολικούς κραδασμούς και ενδεχομένως απώλεια ελέγχου.

6. Οι τροχοί, οι κύλινδροι γυαλοχαρτίσματος, οι κόπτες ή άλλα εξαρτήματα που είναι στερεωμένα στον συγκρατητή πρέπει να έχουν εισαχθεί πλήρως στο κολάρο ή στο τσοκ. Αν ο συγκρατητής συγκρατείται ανεπαρκώς ή/και το προβαλλόμενο τμήμα του τροχού είναι πολύ μακρύ, ο στερεωμένος τροχός μπορεί να γίνει χαλαρός και να εκτοξευτεί με μεγάλη ταχύτητα.
7. Μην χρησιμοποιείτε εξάρτημα που έχει υποστεί ζημιά. Πριν από κάθε χρήση, να εξετάζετε το εξάρτημα, όπως λειαντικούς τροχούς για ρινίσματα και ρωγμές, τον κύλινδρο λείανσης για ρωγμές, ρήξη ή υπερβολική φθορά, τη συμπιεστική βούρτσα για χαλαρά ή ραγισμένα σύρματα. Αν το ηλεκτρικό εργαλείο ή το εξάρτημα πέσει κάτω, ελέγξτε το για ζημιές ή προσαρμόστε ένα εξάρτημα χωρίς ζημιά. Μετά τον έλεγχο και την προσαρμογή ενός εξαρτήματος, απομακρυνθείτε εσείς και οι γύρω σας από το επίπεδο περιστροφής του εξαρτήματος και αφήστε σε λειτουργία το ηλεκτρικό εργαλείο σε μέγιστη ταχύτητα χωρίς φορτίο για ένα λεπτό. Εξαρτήματα με ζημιές θα διαλυθούν κατά τον χρόνο αυτής της δοκιμής.
8. Να φοράτε ατομικό εξοπλισμό προστασίας. Ανάλογα με την εφαρμογή, να χρησιμοποιείτε προσωπίδα προστασίας, προστατευτικά γυαλιά-προσωπίδες ή γυαλιά ασφαλείας. Όταν απαιτείται, να φοράτε μάσκα σκόνης, προστατευτικά ακοής, γάντια και ποδιά συνεργείου. Ικανά να παρέχουν προστασία από εκτινασσομένα μικρά θραύσματα από τη λείανση ή του τεμαχίου εργασίας. Τα προστατευτικά ματιών πρέπει να είναι ικανά να σταματήσουν τυχόν εκτινασσομένα θραύσματα που δημιουργούνται κατά την εκτέλεση διαφόρων εργασιών. Η μάσκα σκόνης ή η αναπνευστική συσκευή πρέπει να είναι ικανά να φιλτράρουν τα σωματίδια που δημιουργούνται κατά την εκτέλεση των εργασιών σας. Η παρατεταμένη έκθεση σε θόρυβο υψηλής έντασης μπορεί να προκαλέσει απώλεια ακοής.
9. Φροντίστε ώστε οι παρευρισκόμενοι να βρίσκονται σε ασφαλή απόσταση από το χώρο εργασίας. Οποιοσδήποτε εισέρχεται στο χώρο εργασίας πρέπει να φορά εξοπλισμό ατομικής προστασίας. Θραύσματα του τεμαχίου εργασίας ή ενός εξαρτήματος που έχει υποστεί θραύση μπορεί να εκτιναχθούν και να προκαλέσουν τραυματισμό πέραν του άμεσου χώρου εκτέλεσης των εργασιών.
10. Να κρατάτε το ηλεκτρικό εργαλείο μόνο από τις μονωμένες επιφάνειες χειρολαβής όταν εκτελείτε μια εργασία κατά την οποία το κοπτικό εξάρτημα μπορεί να έρθει σε επαφή με κρυμμένα καλώδια. Σε περίπτωση επαφής του εξαρτήματος κοπής με ηλεκτροφόρο καλώδιο, μπορεί να εκτεθειμένα μεταλλικά εξαρτήματα του ηλεκτρικού εργαλείου να καταστούν τα ίδια ηλεκτροφόρα και να προκαλέσουν ηλεκτροπληξία στο χειριστή.
11. Να κρατάτε πάντα το εργαλείο καλά με το(α) χέρι(α) σας κατά την έναρξη. Η ροπή αντίδρασης του μοτέρ, καθώς επιταχύνει μέχρι την πλήρη

ταχύτητα, μπορεί να προκαλέσει τη συστροφή του εργαλείου.

12. **Χρησιμοποιήστε συγκρατητές για να στηρίξετε το τεμάχιο εργασίας, όπου είναι πρακτικά εφικτό. Μην κρατάτε ποτέ ένα μικρό τεμάχιο εργασίας στο ένα χέρι και το εργαλείο στο άλλο χέρι ενώ το χρησιμοποιείτε.** Η σύσφιξη ενός μικρού τεμαχίου εργασίας επιτρέπει να χρησιμοποιείτε το(α) χέρι(α) σας για να ελέγξετε το εργαλείο. Στρογγυλά υλικά όπως κοχλίες, σωλήνες ή σωληνώσεις έχουν την τάση να κυλούν ενώ κόβονται και μπορεί να προκαλέσουν τη συμπλοκή ή αναπήδηση της μύτες προς το μέρος σας.
13. **Μην αφήνετε ποτέ το ηλεκτρικό εργαλείο κάτω, πριν σταματήσει πλήρως η περιστροφή του εξαρτήματος.** Το περιστρεφόμενο εξάρτημα μπορεί να εμπλακεί στην επιφάνεια και να θέσει το ηλεκτρικό εργαλείο εκτός ελέγχου.
14. **Αφού αλλάξετε τις μύτες ή πραγματοποιήσετε οποιοσδήποτε ρυθμίσεις, βεβαιωθείτε ότι το παζιμάδι κολάρου, το τσοκ ή οποιοσδήποτε άλλες διατάξεις ρύθμισης είναι καλά σφιγμένες.** Οι χαλαρές διατάξεις ρύθμισης μπορούν να μεταποτισούν απρόσμενα, προκαλώντας απώλεια ελέγχου και τη βίαια εκτόξευση των χαλαρών περιστρεφόμενων εξαρτημάτων.
15. **Μη θέσετε το ηλεκτρικό εργαλείο σε λειτουργία, ενώ το μεταφέρετε στο πλάι σας.** Η τυχαία επαφή με το περιστρεφόμενο εξάρτημα μπορεί να προκαλέσει πιάσιμο στα ρούχα σας και να τραβήξει το εξάρτημα μέσα στο σώμα σας.
16. **Να καθαρίζετε συχνά τις οπές αερισμού του ηλεκτρικού εργαλείου.** Ο ανεμιστήρας του μοτέρ θα τραβήξει τη σκόνη μέσα στο περίβλημα και η υπερβολική συγκέντρωση ρινοσμίτων μετάλλου μπορεί να προκαλέσει κίνδυνο ηλεκτροπληξίας.
17. **Μη χειρίζεστε το ηλεκτρικό εργαλείο κοντά σε εύφλεκτα υλικά.** Οι σπινθήρες μπορεί να προκαλέσουν ανάφλεξη αυτών των υλικών.
18. **Μη χρησιμοποιείτε εξαρτήματα που απαιτούν υγρά ψυκτικά.** Η χρήση νερού ή άλλων υγρών ψυκτικών μπορεί να καταλήξει σε ηλεκτροπληξία ή σοκ.

### **Κλότσημα και σχετικές προειδοποιήσεις**

Το κλότσημα είναι μια ξαφνική αντίδραση λόγω σύσφιξης ή σκαλώματος του περιστρεφόμενου τροχού, του ιμάντα γυαλοχαρτίσματος, της βούρτσας ή τυχόν άλλου εξαρτήματος. Η σύσφιξη ή το σκαλώμα προκαλεί ταχεία ακινητοποίηση του περιστρεφόμενου εξαρτήματος, το οποίο στη συνέχεια υποχρεώνει το ανεξέλεγκτο ηλεκτρικό εργαλείο σε περιστροφή αντίθετη από εκείνη του εξαρτήματος.

Για παράδειγμα, αν ένας λειαντικός τροχός αντιμετωπίσει σύσφιξη ή εμπλοκή στο τεμάχιο εργασίας, η ακμή του τροχού που εισέρχεται στο σημείο σύσφιξης μπορεί να σκάψει την επιφάνεια του υλικού προκαλώντας την αναπήδηση ή την ανάκρουση του τροχού. Ο τροχός μπορεί να αναπηδήσει προς το μέρος του χειριστή ή αντίθετα να απομακρυνθεί από αυτόν, ανάλογα με τη φορά περιστροφής του τροχού στο σημείο σύσφιξης. Υπό αυτές τις συνθήκες, οι τροχοί λείανσης μπορεί επίσης να υποστούν θραύση.

Το κλότσημα είναι αποτέλεσμα κακής χρήσης ή/και εσφαλμένων διαδικασιών ή συνθηκών χειρισμού και είναι δυνατόν να αποφευχθεί αν λάβουμε τις κατάλληλες προφυλάξεις, όπως περιγράφονται κατωτέρω.

1. **Κρατήστε με μεγάλη σταθερότητα το ηλεκτρικό εργαλείο και τοποθετήστε το σώμα και το βραχιόλι σας σε θέση ώστε να είναι δυνατόν να προβάλετε αντίσταση στις δυνάμεις κλότσηματος.** Ο χειριστής μπορεί να ελέγξει τις αντιδράσεις κλότσηματος, αν έχουν ληφθεί οι κατάλληλες προφυλάξεις.
2. **Χρησιμοποιείτε πολύ προσοχή όταν εργάζεστε σε γωνίες, αιχμηρές άκρες, κλπ. Αποφεύγετε αναπηδήσεις και εμπλοκές του εξαρτήματος.** Οι γωνίες, οι κοφτερές ακμές ή η αναπήδηση έχουν την τάση να προκαλούν εμπλοκή του περιστρεφόμενου εξαρτήματος και απώλεια ελέγχου ή κλότσημα.
3. **Μη συνδέετε οδοντωτή λάμα πριονιού.** Οι λάμες αυτού του τύπου προκαλούν συχνά κλότσημα και απώλεια ελέγχου
4. **Να εισαγάγετε τη μύτη μέσα στο υλικό με την ίδια κατεύθυνση που βγαίνει το άκρο κοπής από το υλικό (ή οποία είναι η ίδια κατεύθυνση που πετάγονται τα ρινίσματα).** Αν εισαγάγετε το εργαλείο με λάθος κατεύθυνση, το άκρο κοπής της μύτες θα εξέλθει από το τεμάχιο εργασίας και θα τραβήξει το εργαλείο προς την κατεύθυνση της δικής του εισόδου.
5. **Όταν χρησιμοποιείτε περιστρεφόμενες λίμες, τροχούς αποκοπής, κόπτες υψηλής ταχύτητας ή κόπτες καρβιδίου βολφραμίου, να συγκρατείτε πάντα το τεμάχιο εργασίας με ασφάλεια.** Αυτοί οι τροχοί θα εμπλακούν αν γείρονται ελαφρώς στην εγκοπή και μπορεί να κλοτσήσουν. Όταν εμπλακεί ένας τροχός αποκοπής, συνήθως ο ίδιος ο τροχός σπάει. Όταν εμπλακεί μια περιστεροφική λίμα, ένας κόπτης υψηλής ταχύτητας ή ένας κόπτης καρβιδίου βολφραμίου, μπορεί να αναπηδήσει από την εγκοπή και να χάσετε τον έλεγχο του εργαλείου.

### **Προειδοποιήσεις ασφαλείας ειδικά για εργασίες λείανσης και λειαντικής αποκοπής:**

1. **Να χρησιμοποιείτε μόνο τύπους τροχών που συνιστώνται για χρήση με το δικό σας ηλεκτρικό εργαλείο και μόνο για τις συνιστώμενες εφαρμογές.** Για παράδειγμα: μη λειάνετε με την πλευρική επιφάνεια του τροχού αποκοπής. Ο τροχός λειαντικής αποκοπής προορίζονται για περιφερειακή λείανση. Η εφαρμογή πλευρικών δυνάμεων σε αυτούς τους τροχούς μπορεί να προκαλέσει τη θραύση τους.
2. **Μην προκαλείτε «μάγκωμα» του τροχού αποκοπής και μην ασκείτε υπερβολική πίεση. Μην επιχειρήσετε να δημιουργήσετε τομή υπερβολικού βάθους.** Η άσκηση υπερβολικής δύναμης στον τροχό αυξάνει το φορτίο και τη δεκτικότητα σε συστροφή ή σκαλώμα του τροχού εντός της τομής και την πιθανότητα κλότσηματος ή θραύσης του τροχού.
3. **Μην ευθυγραμμίζετε το χέρι σας μπροστά ή πίσω από τον περιστρεφόμενο τροχό.** Όταν ο τροχός, στο σημείο εργασίας, κινείται απομακρυσμένος από το χέρι σας, τυχόν κλότσημα μπορεί να κατευθύνει τον περιστρεφόμενο τροχό και το ηλεκτρικό εργαλείο προς το μέρος σας.
4. **Σε περίπτωση σύσφιξης ή σκαλώματος του τροχού ή διακοπής μιας τομής για οποιοδήποτε λόγο, απενεργοποιήστε το ηλεκτρικό εργαλείο και κρατήστε το ακίνητο, έως ότου ο**

- τροχός ακινητοποιηθεί πλήρως. Μην επιχειρήσετε ποτέ να αφαιρέσετε τον τροχό αποκοπής από την τομή ενώ ο τροχός κινείται, διότι μπορεί να παρουσιαστεί κλότσημα. Ερευνήστε και λάβετε διορθωτικά μέτρα για να εξελιφθεί η αιτία σύσφιξης ή σκαλώματος του τροχού.
- Μην επαναλάβετε την εργασία κοπής στο τεμάχιο εργασίας. Αφήστε τον τροχό να αποκτήσει μέγιστη ταχύτητα και εισαγάγετε ξανά τον τροχό στην τομή με προσοχή. Ο τροχός μπορεί να παρουσιάσει εμπλοκή, αναπήδηση ή κλότσημα αν ενεργοποιήσετε το ηλεκτρικό εργαλείο εντός του τεμαχίου εργασίας.
  - Να στηρίζετε τα φανώματα ή οποιοδήποτε υπερμέγεθες τεμάχιο εργασίας ώστε να ελαχιστοποιηθεί ο κίνδυνος σύσφιξης και κλοτσήματος του τροχού. Τα μεγάλα τεμάχια εργασίας τείνουν να παρουσιάζουν κάμψη προς τα κάτω λόγω του βάρους τους. Πρέπει να τοποθετούνται οπισθητήρια κάτω από το τεμάχιο εργασίας κοντά στη γραμμική τομή και κοντά στο άκρο του τεμαχίου εργασίας σε αμφότερες τις πλευρές του τροχού.
  - Να είστε ιδιαίτερα προσεκτικοί όταν δημιουργείτε μια «τομή-κοιλότητα» σε υπάρχοντες τοίχους ή άλλες τυφλές περιοχές. Ο προεξέχων τροχός μπορεί να κόψει σωλήνες αερίου ή ύδρευσης, ηλεκτρικές καλωδιώσεις ή αντικείμενα που μπορούν να προκαλέσουν κλότσημα.

**Προειδοποιήσεις ασφαλείας ειδικά για εργασίες καθαρισμού με συρμάτινη βούρτσα:**

- Να είστε προσεκτικοί επειδή συρμάτινες τρίχες εκκινάσσονται από τη βούρτσα ακόμη και κάτω από συνήθεις συνθήκες λειτουργίας. Μην ασκείτε υπερβολική δύναμη στα σύρματα εφαρμόζοντας υπερβολικό φορτίο στη βούρτσα. Οι συρμάτινες τρίχες μπορούν να διαπεράσουν ελαφρό ρουχισμό ή/και το δέρμα με ευκολία.
- Αφήστε τις βούρτσες να λειτουργήσουν σε ταχύτητα λειτουργίας για τουλάχιστον ένα λεπτό πριν τις χρησιμοποιήσετε. Κατά τη διάρκεια αυτού, δεν πρέπει κανένας να στέκεται μπροστά ή στην ίδια ευθεία με τη βούρτσα. Οι χαλαρές τρίχες ή σύρματα εκκινάσσονται κατά τον χρόνο στρωσίματος.
- Κατευθύνετε τις εκτοξεύσεις της περιστρεφόμενης συρμάτινης βούρτσας μακριά σας. Μπορεί να εκτιναχθούν μικρά σωματίδια και μικροσκοπικά συρμάτινα κομμάτια με μεγάλη ταχύτητα κατά τη χρήση αυτών των βουρτσών και μπορεί να βυθιστούν στο δέρμα σας.

**Επιπλέον προειδοποιήσεις ασφαλείας:**

- Το εργαλείο προορίζεται για χρήση με συνδεδεμένες λειαντικές ακίδες τροχού (πέτρες λείανσης) μόνιμα στερεωμένες σε ένα απλό συγκρατητή (στέλεχος) χωρίς επείρωμα.
- Φροντίστε ο τροχός να μην έρχεται σε επαφή με το τεμάχιο εργασίας πριν από την ενεργοποίηση του διακόπτη.
- Πριν από τη χρήση του τροχού πάνω σε πραγματικό τεμάχιο εργασίας, αφήστε τον σε λειτουργία για μικρό χρονικό διάστημα. Παρατηρήστε αν υπάρχουν δονήσεις ή ταλάντευση που μπορεί να υποδεικνύουν κακή τοποθέτηση ή τροχό με κακή ζυγοστάθμιση.

- Χρησιμοποιήστε την προκαθορισμένη επιφάνεια του τροχού για να εκτελέσετε τη λείανση.
- Να είστε προσεκτικοί με τις εκτινασσόμενες σπίνες. Κρατήστε το εργαλείο με τρόπο ώστε οι σπίνες να εκτινάσσονται μακριά από το σώμα σας και άλλα άτομα ή εύφλεκτα υλικά.
- Μην αφήνετε το εργαλείο σε λειτουργία. Να χειρίζεστε το εργαλείο μόνον όταν το κρατάτε με τα χέρια σας.
- Μην αγγίζετε το τεμάχιο εργασίας αμέσως μετά την ολοκλήρωση της εργασίας, μπορεί να είναι εξαιρετικά ζεστό και να προκαλέσει έγκαυμα στο δέρμα σας.
- Να ηθρείτε τις οδηγίες του κατασκευαστή, όσον αφορά την κατάλληλη τοποθέτηση και χρήση των τροχών. Φροντίστε για το χειρισμό και τη φύλαξη των τροχών με προσοχή.
- Ελέγξτε αν το τεμάχιο εργασίας στηρίζεται κατάλληλα.
- Μη χρησιμοποιείτε το εργαλείο σε οποιοδήποτε υλικό περιέχει αμιάντο.
- Να φροντίζετε πάντα να στέκεστε σταθερά. Βεβαιωθείτε ότι δεν υπάρχει άτομο ακριβώς από κάτω, όταν χρησιμοποιείτε το εργαλείο σε υψηλά σημεία.

## ΦΥΛΑΞΤΕ ΑΥΤΕΣ ΤΙΣ ΟΔΗΓΙΕΣ.

**▲ΠΡΟΕΙΔΟΠΟΙΗΣΗ:** ΜΗΝ επιτρέψετε στην άνεση ή στην εξοικειώσή σας με το προϊόν (που αποκτήθηκε από επανειλημμένη χρήση) να αντικαταστήσει την αυστηρή τήρηση των κανόνων ασφαλείας του παρόντος εργαλείου. Η ΛΑΝΘΑΣΜΕΝΗ ΧΡΗΣΗ ή η αμέλεια να ακολουθήσετε τους κανόνες ασφάλειας που διατυπώνονται στο παρόν εγχειρίδιο οδηγιών μπορεί να προκαλέσει σοβαρό προσωπικό τραυματισμό.

## Σημαντικές οδηγίες ασφάλειας για κασέτα μπαταριών

- Πριν χρησιμοποιήσετε την κασέτα μπαταριών, διαβάστε όλες τις οδηγίες και σημειώσεις προφύλαξης (1) στον φορτιστή μπαταριών, (2) στην μπαταρία και (3) στο προϊόν που χρησιμοποιεί την μπαταρία.
- Μην αποσυρμαρμολογήσετε ή παραβιάσετε την κασέτα μπαταριών. Μπορεί να έχει ως αποτέλεσμα πυρκαγιά, υπερθέρμανση ή έκρηξη.
- Εάν ο χρόνος λειτουργίας έχει γίνει υπερβολικά βραχύς, σταματήστε τη λειτουργία αμέσως. Αλλιώς, μπορεί να έχει ως αποτέλεσμα κίνδυνο υπερθέρμανσης, πιθανά εγκαύματα ή ακόμη και έκρηξη.
- Εάν ηλεκτρολύτης μπει στα μάτια σας, ξεπλύνετε τα με καθαρό νερό και ζητήστε ιατρική φροντίδα αμέσως. Αλλιώς, μπορεί να έχει ως αποτέλεσμα απώλεια της όρασης σας.
- Μη βραχυκυκλώνετε την κασέτα μπαταριών:
  - Μην αγγίζετε τους πόλους με οτιδήποτε αγώγιμο υλικό.
  - Αποφύγετε να αποθηκεύετε την κασέτα μπαταριών μέσα σε ένα δοχείο μαζί με άλλα μεταλλικά αντικείμενα όπως καρφιά, νομίσματα, κλπ.

- (3) Μην εκθέτετε την κασέτα μπαταριών στο νερό ή στη βροχή.  
Ένα βραχυκύκλωμα μπαταρίας μπορεί να προκαλέσει μεγάλη ροή ρεύματος, υπερθέρμανση, πιθανά εγκαύματα ακόμη και σοβαρή βλάβη.
6. Μην αποθηκεύετε και μην χρησιμοποιείτε το εργαλείο και την κασέτα μπαταριών σε τοποθεσίες όπου η θερμοκρασία μπορεί να φτάσει ή να ξεπεράσει τους 50 °C.
7. Μην καίτε την κασέτα μπαταριών ακόμη και εάν έχει σοβαρή ζημιά ή είναι εντελώς φθαρμένη. Η κασέτα μπαταριών μπορεί να εκραγεί στη φωτιά.
8. Μην καρφώσετε, κόψετε, συνθλίψετε, πετάξετε ή ρίξετε κάτω την κασέτα μπαταριών, ούτε να χτυπήσετε ένα σκληρό αντικείμενο επάνω στην κασέτα μπαταριών. Τέτοια συμπεριφορά μπορεί να έχει ως αποτέλεσμα πυρκαγιά, υπερθέρμανση ή έκρηξη.
9. Μην χρησιμοποιείτε μπαταρία που έχει υποστεί ζημιά.
10. Οι μπαταρίες ιόντων λιθίου που περιέχονται υπόκεινται στις απαιτήσεις της νομοθεσίας για επικίνδυνα αγαθά.  
Για εμπορικές μεταφορές, για παράδειγμα από τρίτα μέρη, πρέπει να τηρούνται οι διαμεταφορές, οι ειδικές απαιτήσεις στη συσκευασία και η επισήμανση.  
Για προετοιμασία του στοιχείου που αποστέλλεται, είναι απαραίτητο να συμβουλευτείτε έναν ειδικό για επικίνδυνα υλικά. Επίσης, τηρήστε τους πιθανούς, πιο αναλυτικούς εθνικούς κανονισμούς.  
Καλύψτε με αυτοκόλλητη ταινία ή κρύψτε τις ανοικτές επαφές και συσκευάστε την μπαταρία με τρόπο που να μην μπορεί να μετακινείται μέσα στη συσκευασία.
11. Όταν απορρίπτετε την κασέτα μπαταριών, αφαιρέστε την από το εργαλείο και διαθέστε την σε ένα ασφαλές μέρος. Τηρήστε τους τοπικούς κανονισμούς που σχετίζονται με τη διάθεση της μπαταρίας.
12. Χρησιμοποιήστε τις μπαταρίες μόνο με τα προϊόντα που καθορίζει η Makita. Αν τοποθετήσετε τις μπαταρίες σε μη συμβατά προϊόντα μπορεί να έχει ως αποτέλεσμα πυρκαγιά, υπερβολική θερμότητα, έκρηξη ή διαρροή ηλεκτρολύτη.
13. Αν δεν χρησιμοποιείτε το εργαλείο για μεγάλο χρονικό διάστημα, πρέπει να βγάλετε την μπαταρία από το εργαλείο.
14. Κατά τη διάρκεια και μετά τη χρήση, η κασέτα μπαταριών μπορεί να θερμανθεί, γεγονός που μπορεί να προκαλέσει εγκαύματα ή εγκαύματα από χαμηλή θερμοκρασία. Προσέχετε το χειρισμό των ζεστών κασετών μπαταριών.
15. Μην αγγίζετε τον ακροδέκτη του εργαλείου αμέσως μετά τη χρήση επειδή μπορεί να έχει ζεσταθεί αρκετά για να προκαλέσει εγκαύματα.
16. Μην αφήνετε θραύσματα, σκόνη ή βρομιά να κολλήσει στους ακροδέκτες, τις οπές και τις εγκοπές της κασέτας μπαταριών. Μπορεί να προκαλέσει θέρμανση, φωτιά, έκρηξη και δυσλειτουργία του εργαλείου ή της κασέτας μπαταριών, έχοντας ως αποτέλεσμα εγκαύματα ή προσωπικό τραυματισμό.

17. Εκτός αν το εργαλείο υποστηρίζει τη χρήση κοντά σε ηλεκτρικές γραμμές υψηλής τάσης, μην χρησιμοποιείτε την κασέτα μπαταριών κοντά σε ηλεκτρικές γραμμές υψηλής τάσης. Μπορεί να έχει ως αποτέλεσμα δυσλειτουργία ή στάσιμο του εργαλείου ή της κασέτας μπαταριών.
18. ΚρΦυλάξτε την μπαταρία μακριά από παιδιά.

## ΦΥΛΑΞΤΕ ΤΙΣ ΟΔΗΓΙΕΣ ΑΥΤΕΣ.

**▲ΠΡΟΣΟΧΗ:** Να χρησιμοποιείτε μόνο γνήσιες μπαταρίες της Makita. Η χρήση μη γνήσιων μπαταριών Makita, ή μπαταριών που έχουν τροποποιηθεί, μπορεί να έχει ως αποτέλεσμα τη ρήξη της μπαταρίας, προκαλώντας πυρκαγιά, προσωπικό τραυματισμό και βλάβη. Επίσης, θα ακυρωθεί η εγγύηση της Makita για το εργαλείο και φορτιστή Makita.

**ΕΙΔΟΠΟΙΗΣΗ:** Η Makita δεν είναι υπεύθυνη για οποιαδήποτε ατυχήματα προκύπτουν από τη χρήση μη γνήσιων μπαταριών Makita ή μπαταριών που έχουν τροποποιηθεί. Οι γνήσιες μπαταρίες Makita έχουν αξιολογηθεί ενδελεχώς όσον αφορά τη συμβατότητα με εργαλεία και φορτιστές Makita, σε συμμόρφωση με της ισχύουσα νομοθεσία και τα πρότυπα ασφάλειας.

## Συμβουλές για τη διατήρηση της μέγιστης ζωής μπαταρίας

- Φορτίζετε την κασέτα μπαταριών πριν από την πλήρη αποφόρτιση της. Πάντοτε να σταματάτε τη λειτουργία του εργαλείου και να φορτίζετε την κασέτα μπαταριών όταν παρατηρείτε μειωμένη ισχύ εργαλείου.
- Ποτέ μην επαναφορτίζετε μια πλήρως φορτισμένη κασέτα μπαταριών. Η υπερφόρτιση μειώνει την ωφέλιμη ζωή της μπαταρίας.
- Να φορτίζετε την κασέτα μπαταριών σε θερμοκρασία δωματίου, δηλαδή στους 10 °C έως 40 °C. Αφήστε μια θερμή κασέτα μπαταριών να κρυώσει πριν την φορτίσετε.
- Όταν δεν χρησιμοποιείτε την κασέτα μπαταριών, αφαιρέστε την από το εργαλείο ή τον φορτιστή.
- Να φορτίζετε την κασέτα μπαταριών εάν δεν τη χρησιμοποιείτε για μεγάλη χρονική περίοδο (περισσότερο από έξι μήνες).

## ΠΕΡΙΓΡΑΦΗ ΛΕΙΤΟΥΡΓΙΑΣ

**▲ ΠΡΟΕΙΔΟΠΟΙΗΣΗ:** Να φροντίζετε πάντα για την απενεργοποίηση του εργαλείου και την αφαίρεση της κασέτας μπαταρίας, πριν από οποιαδήποτε ρύθμιση ή έλεγχο της λειτουργίας του.

### Τοποθέτηση ή αφαίρεση της κασέτας μπαταριών

**▲ ΠΡΟΣΟΧΗ:** Να σβήνετε πάντα το εργαλείο πριν τοποθετήσετε ή αφαιρέσετε την κασέτα μπαταριών.

**▲ ΠΡΟΣΟΧΗ:** Κρατήστε το εργαλείο και την κασέτα μπαταριών σταθερά κατά την τοποθέτηση ή αφαίρεση της κασέτας μπαταριών. Εάν δεν κρατάτε το εργαλείο και την κασέτα μπαταριών σταθερά μπορεί να γλιστρήσουν από τα χέρια σας και να προκληθεί βλάβη στο εργαλείο και την κασέτα μπαταριών και προσωπικός τραυματισμός.

Για να τοποθετήσετε την κασέτα μπαταριών, ευθυγραμμίστε τη γλώσσα στην κασέτα μπαταριών με την εγκοπή στο περίβλημα και ολισθήστε τη στη θέση της. Τοποθετήστε την μέχρι τέρμα μέχρι να ασφαλίσει στη θέση της, γεγονός που υποδεικνύεται με ένα χαρακτηριστικό ήχο. Αν μπορείτε να δείτε τον κόκκινο δείκτη όπως απεικονίζεται στην εικόνα, δεν έχει κλειδώσει τελείως.

Για να αφαιρέσετε την κασέτα μπαταριών, ολισθήστε την από το εργαλείο ενώ σύρετε το κουμπί στο μπροστινό μέρος της κασέτας.

► **Εικ.1:** 1. Κόκκινος δείκτης 2. Κουμπί 3. Κασέτα μπαταριών

**▲ ΠΡΟΣΟΧΗ:** Να τοποθετείτε πάντα την κασέτα μπαταριών πλήρως μέχρι να μη βλέπετε τον κόκκινο δείκτη. Εάν δεν ασφαλιστεί, μπορεί να πέσει από το εργαλείο τυχαία, προκαλώντας σωματική βλάβη σε εσάς ή κάποιον άλλο γύρω σας.

**▲ ΠΡΟΣΟΧΗ:** Μην τοποθετείτε την κασέτα μπαταριών με βία. Εάν η κασέτα δεν ολισθαίνει με ευκολία, τότε δεν έχει τοποθετηθεί κατάλληλα.

### Εμφάνιση υπολειπόμενης χωρητικότητας μπαταρίας

Πίστετε το κουμπί ελέγχου στην κασέτα μπαταριών για να υποδείξετε την υπολειπόμενη χωρητικότητα μπαταρίας. Οι ενδεικτικές λυχνίες ανάβουν για λίγα δευτερόλεπτα.

► **Εικ.2:** 1. Ενδεικτικές λυχνίες 2. Κουμπί ελέγχου

Ενδεικτικές λυχνίες			Υπολειπόμενη χωρητικότητα
Αναμμένες	Σβηστές	Αναβοσβήνουν	
■ ■ ■ ■			75% έως 100%
■ ■ ■	□		50% έως 75%
■ ■	□ □		25% έως 50%
■	□ □ □		0% έως 25%
■	□ □ □		Φορτίστε την μπαταρία.
■ ■ □ □		↑ ↓	Μπορεί να προέκυψε δυσλειτουργία στην μπαταρία.

**ΠΑΡΑΤΗΡΗΣΗ:** Ανάλογα με τις συνθήκες χρήσης και τη θερμοκρασία περιβάλλοντος, η ένδειξη μπορεί να διαφέρει λίγο από την πραγματική χωρητικότητα.

**ΠΑΡΑΤΗΡΗΣΗ:** Η πρώτη (τέρμα αριστερά) ενδεικτική λυχνία θα αναβοσβήνει όταν λειτουργεί το σύστημα προστασίας μπαταρίας.

### Σύστημα προστασίας εργαλείου/ μπαταρίας

Το εργαλείο είναι εξοπλισμένο με σύστημα προστασίας εργαλείου/μπαταρίας. Αυτό το σύστημα αποκόπτει αυτόματα την ισχύ προς το μοτέρ για να παραταθεί η διάρκεια λειτουργίας του εργαλείου και της μπαταρίας. Το εργαλείο σταματά αυτόματα κατά τη διάρκεια της λειτουργίας εάν το εργαλείο ή η μπαταρία βρεθούν κάτω από τις παρακάτω συνθήκες:

#### Προστασία υπερφόρτωσης

Όταν το εργαλείο/μπαταρία λειτουργεί με τρόπο ώστε να αναγκάζεται να καταναλώνει ασυνήθιστα υψηλό ρεύμα, το εργαλείο σταματάει αυτόματα χωρίς καμία ένδειξη. Σε αυτή την κατάσταση, απενεργοποιήστε το εργαλείο και διακόψτε την εφαρμογή που προκαλεί την υπερφόρτωση του εργαλείου. Μετά, ενεργοποιήστε το εργαλείο για επανεκκίνηση.

#### Προστασία υπερθέρμανσης

Όταν το εργαλείο/μπαταρία υπερθερμανθεί, η λειτουργία του εργαλείου σταματάει αυτόματα και η λάμπα αναβοσβήνει. Αφήστε το εργαλείο να κρυώσει πριν ενεργοποιήσετε ξανά το εργαλείο.

#### Προστασία υπερβολικής αποφόρτισης

Όταν η φόρτιση μπαταρίας δεν είναι αρκετή, το εργαλείο σταματάει αυτόματα. Σε αυτή την περίπτωση, βγάλτε την μπαταρία από το εργαλείο και φορτίστε την μπαταρία.

## Αποδέσμευση προστατευτικής ασφάλισης

Όταν το σύστημα προστασίας λειτουργεί επανειλημμένα, το εργαλείο ασφαλίζει.

Σε αυτή την κατάσταση, το εργαλείο δεν ξεκινάει ακόμη κι αν απενεργοποιήσετε και ενεργοποιήσετε το εργαλείο. Για να αποδεσμεύσετε την προστατευτική ασφάλιση, βγάλτε την μπαταρία, τοποθετήστε τη στο φορτιστή μπαταριών και περιμένετε μέχρι να τελειώσει η φόρτιση.

## Προστασία και από άλλες αιτίες

Το σύστημα προστασίας έχει επίσης σχεδιαστεί για άλλες αιτίες που μπορούν να προκαλέσουν ζημιά στο εργαλείο και επιπρόκειτο την αυτόματη διακοπή του εργαλείου. Λάβετε όλα τα ακόλουθα βήματα για να διορθώσετε τις αιτίες, όταν το εργαλείο θεθεί σε προσωρινή διακοπή ή διακοπή κατά τη διάρκεια της λειτουργίας.

1. Βεβαιωθείτε ότι όλοι οι διακόπτες βρίσκονται στην ανενεργή θέση και, στη συνέχεια, ενεργοποιήστε ξανά το εργαλείο για επανεκκίνηση.
2. Φορτίστε την μπαταρία ή τις μπαταρίες ή αντικαταστήστε τις με επαναφορτιζόμενες μπαταρίες.
3. Αφήστε το εργαλείο και τις μπαταρίες να ψυχθούν.

Εάν δεν υπάρχει βελτίωση με την επαναφορά του συστήματος προστασίας, επικοινωνήστε με το τοπικό σας κέντρο εξυπηρέτησης της Makita.

## Εξάρτημα κλειδώματος άξονα

**▲ΠΡΟΕΙΔΟΠΟΙΗΣΗ:** Μην ενεργοποιείτε ποτέ το εξάρτημα κλειδώματος άξονα όταν κινείται η άτρακτος. Μπορεί να προκληθεί σοβαρός τραυματισμός ή ζημιά στο εργαλείο.

**▲ΠΡΟΕΙΔΟΠΟΙΗΣΗ:** Βεβαιωθείτε ότι το κλειδώμα άξονα επιστρέφει εντελώς στην αρχική θέση του αφού το αφήσετε.

Πίστετε το εξάρτημα κλειδώματος άξονα για να εμποδίσετε την περιστροφή της άτρακτος όταν τοποθετείτε ή αφαιρείτε εξαρτήματα.

► **Εικ.3:** 1. Εξάρτημα κλειδώματος άξονα

## Δράση διακόπτη

Μόνο για το μοντέλο GD001G

**▲ΠΡΟΣΟΧΗ:** Πριν τοποθετείτε την κασέτα μπαταριών στο εργαλείο, να ελέγχετε πάντα ότι ο κυλιόμενος διακόπτης ενεργοποιείται σωστά και επιστρέφει στη θέση «ΑΝΕΡΓΟ» όταν πιέζετε το πίσω μέρος του κυλιόμενου διακόπτη.

**▲ΠΡΟΣΟΧΗ:** Ο διακόπτης μπορεί να ασφαλιστεί στη θέση «ΕΝΕΡΓΟ» για πιο άνετη λειτουργία από τη χρήση κατά τη διάρκεια παρατεταμένης χρήσης. Να είστε προσεκτικοί όταν ασφαλίσετε το εργαλείο στη θέση «ΕΝΕΡΓΟ» και να κρατάτε καλά το εργαλείο.

Για να ξεκινήσετε τη λειτουργία του εργαλείου, σύρετε τον κυλιόμενο διακόπτη προς τη θέση «I (ΕΝΕΡΓΟ)». Για συνεχή λειτουργία, πιέστε κάτω το μπροστινό μέρος του κυλιόμενου διακόπτη για να τον ασφαλίσετε.

Για να σταματήσει το εργαλείο, πατήστε το πίσω άκρο του κυλιόμενου διακόπτη και κατόπιν σύρετέ τον στη θέση «O (ΑΝΕΡΓΟ)».

► **Εικ.4:** 1. Κυλιόμενος διακόπτης

Μόνο για το μοντέλο GD002G

**▲ΠΡΟΣΟΧΗ:** Πριν τοποθετήσετε την κασέτα μπαταριών μέσα στο εργαλείο, να ελέγχετε πάντα να δείτε αν ο μοχλός διακόπτης ενεργοποιείται κανονικά και επιστρέφει στην ΑΝΕΡΓΗ θέση όταν ελευθερώνεται.

**▲ΠΡΟΣΟΧΗ:** Για την ασφάλεια σας, το εργαλείο αυτό παρέχει με μοχλό απασφάλισης το οποίο αποτρέπει την εκκίνηση του εργαλείου κατά λάθος. Μην χρησιμοποιείτε ΠΟΤΕ το εργαλείο αν μπορείτε να το θέσετε σε λειτουργία πιέζοντας απλά τον μοχλό διακόπτη, χωρίς να τραβάτε και τον μοχλό απασφάλισης. Στείλτε το εργαλείο σε εξουσιοδοτημένο κέντρο σέρβις για να το επισκευάσουν σωστά ΠΡΙΝ το χρησιμοποιήσετε ξανά.

**▲ΠΡΟΣΟΧΗ:** Μην τραβάτε τον μοχλό διακόπτη με δύναμη χωρίς να τραβάτε τον μοχλό απασφάλισης. Αυτό μπορεί να προκαλέσει βλάβη του διακόπτη.

**▲ΠΡΟΣΟΧΗ:** ΠΟΤΕ μην κολλάτε τον μοχλό απασφάλισης στην πατημένη θέση του και ΠΟΤΕ μην παρακάμπτετε τον σκοπό του μοχλού απασφάλισης.

Για να μην πιέζεται ο μοχλός-διακόπτης κατά λάθος, παρέχεται ένας μοχλός απασφάλισης.

Για να ξεκινήσει η λειτουργία του εργαλείου, τραβήξτε το μοχλό απασφάλισης προς τη μεριά του χειριστή και κατόπιν τραβήξτε το μοχλό-διακόπτη.

Για να ξεκινήσετε το εργαλείο, σηκώστε το μοχλό-διακόπτη.

► **Εικ.5:** 1. Μοχλός απασφάλισης  
2. Μοχλός-διακόπτης

## Επιλογέας ρύθμισης ταχύτητας

Αν περιστρέψετε τον επιλογέα ρύθμισης ταχύτητας, μπορείτε να αλλάξετε την ταχύτητα περιστροφής του εργαλείου. Στον παρακάτω πίνακα παρουσιάζεται ο αριθμός στον επιλογέα και η αντίστοιχη ταχύτητα περιστροφής.

► **Εικ.6:** 1. Επιλογέας ρύθμισης ταχύτητας

Αριθμός	Ταχύτητα
1	7.000 min <sup>-1</sup>
2	12.500 min <sup>-1</sup>
3	18.000 min <sup>-1</sup>
4	23.500 min <sup>-1</sup>
5	29.000 min <sup>-1</sup>

**ΕΙΔΟΠΟΙΗΣΗ:** Αν το εργαλείο λειτουργεί συνεχόμενα με χαμηλή ταχύτητα για μεγάλο χρονικό διάστημα, το μοτέρ θα υπερφορτωθεί και θα προκαλέσει δυσλειτουργία του εργαλείου.

**ΕΙΔΟΠΟΙΗΣΗ:** Ο ρυθμιστικός επιλογέας ταχύτητας μπορεί να γυρίσει μόνο μέχρι το 5 και πίσω στο 1. Μην τον γυρίζετε βεβαιωμένα μετά το 5 ή το 1, γιατί μπορεί να χαλάσει η λειτουργία ρύθμισης ταχύτητας.

## Αναμμα της μπροστινής λάμπας

**ΠΡΟΣΟΧΗ:** Μην κοιτάζετε κατευθείαν μέσα στο φως ή στην πηγή φωτός.

Η μπροστινή λάμπα ανάβει για 10 δευτερόλεπτα μετά την τοποθέτηση της κασέτας μπαταριών ή ανάβει συνεχώς ενώ ο διακόπτης είναι στην ΕΝΕΡΓΗ θέση.

Η λάμπα σβήνει 10 δευτερόλεπτα αφού ο διακόπτης είναι στη ΑΝΕΝΕΡΓΗ θέση.

► **Εικ.7:** 1. Μπροστινή λάμπα

## Απενεργοποίηση ή ενεργοποίηση της κατάστασης λάμπας

Για την απενεργοποίηση ή ενεργοποίηση της κατάστασης λάμπας, ακολουθήστε τα παρακάτω βήματα.

1. Τοποθετήστε την κασέτα μπαταριών στο εργαλείο.
2. Θέστε τον επιλογέα ρύθμισης ταχύτητας στο «5».
3. Θέστε τον επιλογέα ρύθμισης ταχύτητας στο «1» και μετά θέστε τον ξανά στο «5».

**ΠΑΡΑΤΗΡΗΣΗ:** Η κατάσταση της λάμπας μπορεί να αλλάξει εντός 10 δευτερολέπτων από την τοποθέτηση της κασέτας μπαταριών. Μόλις ο διακόπτης τεθεί στην ενεργή θέση, η κατάσταση της λάμπας δεν μπορεί να αλλάξει, ακόμη κι αν συμβεί εντός 10 δευτερολέπτων από την τοποθέτηση της κασέτας μπαταριών.

**ΠΑΡΑΤΗΡΗΣΗ:** Η κατάσταση της λάμπας μπορεί επίσης να αλλάξει αν ρυθμίσετε τον επιλογέα ρύθμισης ταχύτητας σε «1» - «5» - «1».

**ΠΑΡΑΤΗΡΗΣΗ:** Για να ρυθμίσετε ξανά την κατάσταση της λάμπας, αφαιρέστε πρώτα την κασέτα μπαταριών και μετά ρυθμίστε τον επιλογέα ρύθμισης ταχύτητας.

**ΠΑΡΑΤΗΡΗΣΗ:** Η κατάσταση της λάμπας θα είναι η ίδια με αυτήν που ήταν την τελευταία φορά που χρησιμοποιήθηκε το εργαλείο.

## Λειτουργία αποφυγής τυχαιάς επανεκκίνησης

Όταν τοποθετείτε την κασέτα μπαταριών ενώ ο διακόπτης είναι στη θέση «ΕΝΕΡΓΟ», το εργαλείο δεν ξεκινά. Για να ξεκινήσετε το εργαλείο, κλείστε τον διακόπτη και ανοίξτε τον ξανά.

## Τεχνολογία αίσθησης ενεργής ανάδρασης

Το εργαλείο ανιχνεύει ηλεκτρονικά τις καταστάσεις όπου ο τροχός ή το εξάρτημα μπορεί να βρίσκονται σε κίνδυνο για εμπλοκή. Σε αυτή την κατάσταση, το εργαλείο σβήνει αυτόματα για να αποφευχθεί η περαιτέρω περιστροφή της άτρακτου (δεν εμποδίζει το κλότσημα). Για να ξεκινήσετε ξανά το εργαλείο, πρώτα σβήστε το εργαλείο, διορθώστε την αιτία της ξαφνικής πτώσης των στροφών περιστροφής και μετά ενεργοποιήστε ξανά το εργαλείο.

## Δυνατότητα ομαλής έναρξης

Η δυνατότητα ομαλής έναρξης καταστέλλει την αιφνίδια έναρξη.

## Έλεγχος σταθερής ταχύτητας

Μπορείτε να έχετε ένα κομψό αποτέλεσμα επειδή η ταχύτητα περιστροφής διατηρείται σταθερή ακόμα και υπό φορτωμένη κατάσταση.

## Ηλεκτρονικό φρένο

Το ηλεκτρονικό φρένο ενεργοποιείται μετά από την απενεργοποίηση του εργαλείου.

Το φρένο δεν λειτουργεί όταν η ηλεκτρική τροφοδοσία είναι σβηστή, όπως για παράδειγμα όταν η μπαταρία αφαιρεθεί κατά λάθος, ενώ ο διακόπτης είναι ακόμη στην ενεργή θέση.

## ΣΥΝΑΡΜΟΛΟΓΗΣΗ

**ΠΡΟΣΟΧΗ:** Να βεβαιώνεστε πάντα ότι το εργαλείο είναι σβηστό και η κασέτα μπαταρίας έχει αφαιρεθεί πριν εκτελέσετε κάποια εργασία στο εργαλείο.

## Τοποθέτηση ή αφαίρεση του εξαρτήματος

**ΠΡΟΣΟΧΗ:** Χρησιμοποιήστε το σωστό μέγεθος του κώνου κολάρου για το εξάρτημα που σκοπεύετε να χρησιμοποιήσετε.

**ΕΙΔΟΠΟΙΗΣΗ:** Μη σφίγγετε το παξιμάδι κολάρου χωρίς να έχετε τοποθετήσει ένα εξάρτημα. Διαφορετικά, μπορεί να σπάσει ο κώνος κολάρου.

## Χρήση του κλειδώματος άξονα

Πατήστε σταθερά το κλειδώμα άξονα ώστε η άτρακτος να μην μπορεί να περιστραφεί. Χαλαρώστε το παξιμάδι κολάρου αριστερόστροφα και βάλτε το εξάρτημα μέσα στο παξιμάδι κολάρου. Σφίξτε το παξιμάδι κολάρου δεξιόστροφα χρησιμοποιώντας το κλειδί.

► **Εικ.8:** 1. Κλειδώμα άξονα 2. Κλειδί 3. Εξάρτημα 4. Παξιμάδι κολάρου

## Με χρήση δύο κλειδιών

Χαλαρώστε το παξιμάδι κολάρου αριστερόστροφα και βάλτε το εξάρτημα μέσα στο παξιμάδι κολάρου. Χρησιμοποιήστε ένα κλειδί για να κρατάτε την άτρακτο. Με τη χρήση ενός άλλου κλειδιού, περιστρέψτε το παξιμάδι κολάρου δεξιόστροφα για να το σφίξετε καλά.

► **Εικ.9:** 1. Κλειδί 2. Εξάρτημα 3. Παξιμάδι κολάρου

**ΠΑΡΑΤΗΡΗΣΗ:** Αν δεν μπορείτε να εισαγάγετε το εξάρτημα στο παξιμάδι κολάρου αφού χαλαρώσετε το παξιμάδι κολάρου, ο κώνος κολάρου μπορεί να εμποδίζει το εξάρτημα. Σε αυτή την περίπτωση, βγάλτε το παξιμάδι κολάρου και τοποθετήστε ξανά τον κώνο κολάρου.

Το εξάρτημα δεν πρέπει να τοποθετείται σε απόσταση μεγαλύτερη των 10 mm από το παξιμάδι κολάρου. Η υπέρβαση αυτής της απόστασης μπορεί να προκαλέσει δονήσεις ή σπάσιμο του άξονα.

► **Εικ.10**

## Αλλαγή του κώνου κολάρου

1. Χαλαρώστε το παξιμάδι κολάρου και αφαιρέστε το.
  2. Αντικαταστήστε τον τοποθετημένο κώνο κολάρου με τον επιθυμητό κώνο κολάρου.
  3. Τοποθετήστε ξανά το παξιμάδι κολάρου.
- **Εικ.11:** 1. Παξιμάδι κολάρου 2. Κώνος κολάρου

Αν ο κώνος κολάρου δεν μπορεί να αφαιρεθεί, πιάστε τον κώνο κολάρου με μια μακριά πένσα και αφαιρέστε τον. Για να αποτραπεί η παραμόρφωση του κώνου κολάρου, μην ασκείτε υπερβολική δύναμη όταν τον πιάνετε.

► **Εικ.12:** 1. Κώνος κολάρου

## ΛΕΙΤΟΥΡΓΙΑ

**▲ΠΡΟΣΟΧΗ:** Εφαρμόστε ελαφρά πίεση στο εργαλείο. Η υπερβολική πίεση στο εργαλείο θα προκαλέσει μόνο ανεπαρκές τελείωμα και υπερφόρτωση του μοτέρ.

**▲ΠΡΟΣΟΧΗ:** Το εξάρτημα συνεχίζει να περιστρέφεται και μετά την απενεργοποίηση του εργαλείου.

**▲ΠΡΟΣΟΧΗ:** Κρατήστε με ασφάλεια το εργαλείο με τα δύο χέρια.

**▲ΠΡΟΣΟΧΗ:** Όταν χρησιμοποιείτε τα εξαρτήματα που πωλούνται στην αγορά, να βεβαιώνετε πάντα ότι η ονομαστική ταχύτητα των εξαρτημάτων είναι τουλάχιστον ίση με τη μέγιστη ταχύτητα που αναγράφεται στο εργαλείο.

Ενεργοποιήστε το εργαλείο χωρίς το εξάρτημα να κάνει επαφή με το τεμάχιο εργασίας και περιμένετε μέχρι το εξάρτημα να αποκτήσει πλήρη ταχύτητα. Μετά εφαρμόστε απαλά το εξάρτημα στο τεμάχιο εργασίας.

► **Εικ.13**

**ΠΑΡΑΤΗΡΗΣΗ:** Όταν χρησιμοποιείτε πλευρική λείανση, η αργή μετακίνηση του εργαλείου προς τα αριστερά μπορεί να επιφέρει ένα καλό τελείωμα.

## ΣΥΝΤΗΡΗΣΗ

**▲ΠΡΟΣΟΧΗ:** Πριν την εκτέλεση εργασιών επιθεώρησης ή συντήρησης, πάντοτε να βεβαιώνετε ότι η συσκευή απενεργοποιήθηκε και η κασέτα μπαταριών έχει αφαιρεθεί.

**ΕΙΔΟΠΟΙΗΣΗ:** Μην χρησιμοποιείτε ποτέ βενζίνη, πετρελαϊκό αιθέρα, διαλυτικό, αλκοόλη ή παρόμοιες ουσίες. Μπορεί να προκληθεί αποχρωματισμός, παραμόρφωση ή ρωγμές.

Για τη διατήρηση της ΑΣΦΑΛΕΙΑΣ και ΑΞΙΟΠΙΣΤΙΑΣ του προϊόντος, οι επισκευές και οποιαδήποτε άλλη εργασία συντήρησης ή ρύθμισης πρέπει να εκτελούνται από εξουσιοδοτημένα ή εργοστασιακά κέντρα εξυπηρέτησης της Makita, χρησιμοποιώντας πάντοτε ανταλλακτικά της Makita.

## Λείανση ακίδας τροχού

Όταν η ακίδα τροχού «φορτώνεται» με διάφορα τεμαχίδια και σωματίδια, πρέπει να λειάνετε την ακίδα τροχού με την πέτρα λείανσης.

## Καθαρισμός ανοιγμάτων εξαερισμού

Το εργαλείο και τα ανοίγματα εξαερισμού του πρέπει να διατηρούνται καθαρά. Να καθαρίζετε τακτικά τα ανοίγματα εξαερισμού του εργαλείου ή όταν αυτά αρχίσουν να φράσσονται.

► **Εικ.14:** 1. Ανοίγμα εξόδου αέρα 2. Ανοίγμα εισόδου αέρα

Βγάλτε το κάλυμμα σκόνης από το άνοιγμα εισόδου αέρα και καθαρίστε το για μια ομαλή κυκλοφορία του αέρα.

► **Εικ.15:** 1. Κάλυμμα σκόνης

**ΕΙΔΟΠΟΙΗΣΗ:** Καθαρίστε το κάλυμμα σκόνης όταν είναι φραγμένο με σκόνη ή ξένα υλικά. Η συνεχής λειτουργία με φραγμένο κάλυμμα σκόνης μπορεί να προκαλέσει βλάβη στο εργαλείο.

## ΠΡΟΑΙΡΕΤΙΚΑ ΕΞΑΡΤΗΜΑΤΑ

**▲ΠΡΟΣΟΧΗ:** Αυτά τα εξαρτήματα ή προσαρτήματα συνιστώνται για χρήση με το εργαλείο Makita που περιγράφηκε στις οδηγίες αυτές. Η χρήση οποιωνδήποτε άλλων εξαρτημάτων ή προσαρτημάτων μπορεί να προκαλέσει κίνδυνο τραυματισμού σε άτομα. Να χρησιμοποιείτε τα εξαρτήματα ή προσαρτήματα μόνο για την χρήση που προορίζονται.

Εάν χρειάζεστε οποιαδήποτε βοήθεια για περισσότερες πληροφορίες σε σχέση με αυτά τα εξαρτήματα, απευθυνθείτε στο τοπικό σας κέντρο εξυπηρέτησης Makita.

- Ακίδες τροχού
- Κώνος κολάρου (3 mm, 6 mm, 8 mm, 1/4", 1/8")
- Παξιμάδι κολάρου
- Κλειδί 13
- Γνήσια μπαταρία και φορτιστής της Makita

**ΠΑΡΑΤΗΡΗΣΗ:** Μερικά στοιχεία στη λίστα μπορεί να συμπεριλαμβάνονται στη συσκευασία εργαλείου ως στάνταρ εξαρτήματα. Μπορεί να διαφέρουν ανάλογα με τη χώρα.

## TEKNİK ÖZELLİKLER

Model:		GD001G	GD002G
Halka somunu boyutu (ülkeye özgü)		6 mm veya 6,35 mm (1/4")	
Maks. aksesuar boyutu	Maks. çark ucu çapı ■ ■ ■ ■ ■	32 mm	
	Maks. zımparalama çarkı çapı	52 mm	
	Maks. tel fırça çapı	52 mm	
	Maks. parlatma çarkı çapı	52 mm	
	Maks. oyma aksesuarı çapı	52 mm	
	Max. kesme diski çapı	52 mm	
	Maks. mandrel (şank) uzunluğu	46 mm	
Normal hız (n)/Yüksüz hız (n <sub>0</sub> )		7.000 - 29.000 min <sup>-1</sup>	
Toplam uzunluk	BL4040 ile	458 mm	
Net ağırlık		2,2 - 3,4 kg	
Anma voltajı		D.C. 36 V - 40 V maks.	

- Sürekli yapılan araştırma ve geliştirmelerden dolayı, burada belirtilen özellikler önceden bildirilmeksizin değiştirilebilir.
- Özellikler ülkeden ülkeye değişebilir.
- Net ağırlık değeri, kullanma kılavuzunda belirtilen ek parçanın/parçaların ve batarya kartuşunun/kartuşlarının en hafif ve en ağır kombinasyonunu içerir.

## Geçerli batarya kartuşu ve şarj aleti

Batarya kartuşu	BL4020* / BL4025* / BL4040* / BL4040F* / BL4050F* / BL4080F * : Önerilen batarya
Şarj aleti	DC40RA / DC40RB / DC40RC / DC40WA / BCC01 / BCC02

- Yukarıda listelenen batarya kartuşlarının ve şarj aletlerinin bazıları yaşadığınız bölgeye bağlı olarak mevcut olmayabilir.

**⚠ UYARI:** Sadece yukarıda listelenen batarya kartuşlarını ve şarj aletlerini kullanın. Başka batarya kartuşlarının ve şarj aletlerinin kullanılması yaralanma ve/veya yangına neden olabilir.

## Kullanılabilir kablo bağlantılı güç kaynağı

Taşınabilir güç ünitesi	PDC01 / PDC1200 / PDC1500
-------------------------	---------------------------

- Yukarıda listelenen kablo bağlantılı güç kaynakları yaşadığınız bölgeye bağlı olarak mevcut olmayabilir.
- Kablo bağlantılı güç kaynağını kullanmadan önce, üzerindeki uyarı işaretlerini ve talimatı okuyun.

## Kullanım amacı

Alet demir malzemeleri taşlamak veya dökümlerin çapağını almak, ayrıca zımparalamak, telle fırçalamak, parlatmak, oymak ve kesmek için tasarlanmıştır.

## Gürültü

Tipik A-ağırlıklı gürültü düzeyi (EN60745-2-23 standardına göre belirlenen):

## Model GD001G

Çalışma modu	Ses basınç seviyesi (L <sub>pA</sub> ):	Ses gücü düzeyi (L <sub>WA</sub> ):	Belirsizlik (K):
Yüksüz (suni çark 25-50 mm)	78 dB (A)	-	3 dB (A)
Yüksüz (suni çark 50 mm üstü)	80 dB (A)	91 dB (A)	3 dB (A)

## Model GD002G

Çalışma modu	Ses basınç seviyesi (L <sub>PA</sub> ):	Ses gücü düzeyi (L <sub>WA</sub> ):	Belirsizlik (K):
Yüksüz (suni çark 25-50 mm)	78 dB (A)	-	3 dB (A)
Yüksüz (suni çark 50 mm üstü)	80 dB (A)	91 dB (A)	3 dB (A)

İşlem sırasında gürültü seviyesi 80 dB (A)'yi geçebilir.

**NOT:** Beyan edilen gürültü emisyonu değer(ler)i bir standart test yöntemine uygun şekilde ölçülmüştür ve bir aleti bir başkasıyla karşılaştırmak için kullanılabilir.

**NOT:** Beyan edilen gürültü emisyonu değer(ler)i bir ön maruz kalma değerlendirmesi olarak da kullanılabilir.

**UYARI:** Kulak koruyucuları takın.

**UYARI:** Elektrikli aletin gerçek kullanımı sırasındaki gürültü emisyonu aletin kullanım biçimlerine bağlı olarak beyan edilen toplam değer(ler)den farklı olabilir.

**UYARI:** Gerçek kullanım koşullarındaki tahmini maruziyeti baz alan, operatörü koruyacak güvenlik önlemlerini mutlaka belirleyin (çalışma döngüsü içerisinde aletin kapalı olduğu ve aktif durumda olmasının yanı sıra boşta çalıştığı zamanlar gibi, bütün zaman dilimleri göz önünde bulundurarak).

## Titreşim

EN60745-2-23 uyarınca belirlenen sürekli titreşim toplam değeri (üç eksenli vektör toplamı):

### Model GD001G

Çalışma modu	Titreşim emisyonu (a <sub>w</sub> ):	Belirsizlik (K):
Yüzey taşlama (suni çark 25-50 mm)	5,4 m/s <sup>2</sup>	1,5 m/s <sup>2</sup>
Yüzey taşlama (suni çark 50 mm üstü)	15,2 m/s <sup>2</sup>	1,5 m/s <sup>2</sup>

### Model GD002G

Çalışma modu	Titreşim emisyonu (a <sub>w</sub> ):	Belirsizlik (K):
Yüzey taşlama (suni çark 25-50 mm)	5,7 m/s <sup>2</sup>	1,5 m/s <sup>2</sup>
Yüzey taşlama (suni çark 50 mm üstü)	14,6 m/s <sup>2</sup>	1,5 m/s <sup>2</sup>

**NOT:** Beyan edilen titreşim toplam değer(ler)i bir standart test yöntemine uygun şekilde ölçülmüştür ve bir aleti bir başkasıyla karşılaştırmak için kullanılabilir.

**NOT:** Beyan edilen titreşim toplam değer(ler)i bir ön maruz kalma değerlendirmesi olarak da kullanılabilir.

**UYARI:** Elektrikli aletin gerçek kullanımı sırasındaki titreşim emisyonu aletin kullanım biçimlerine bağlı olarak beyan edilen toplam değer(ler)den farklı olabilir.

**UYARI:** Gerçek kullanım koşullarındaki tahmini maruziyeti baz alan, operatörü koruyacak güvenlik önlemlerini mutlaka belirleyin (çalışma döngüsü içerisinde aletin kapalı olduğu ve aktif durumda olmasının yanı sıra boşta çalıştığı zamanlar gibi, bütün zaman dilimleri göz önünde bulundurarak).

## Uygunluk Beyanları

### Sadece Avrupa ülkeleri için

Uygunluk beyanları bu kullanma kılavuzuna Ek A olarak eklenmiştir.

## GÜVENLİK UYARILARI

### Genel elektrikli alet güvenliği uyarıları

**UYARI:** Bu elektrikli aletle birlikte verilen tüm güvenlik uyarılarını, talimatları, resimli açıklamaları ve teknik özellikleri okuyun. Aşağıda listelenen talimatların herhangi birine uyulmaması elektrik çarpması, yangın ve/veya ciddi yaralanma ile sonuçlanabilir.

### Tüm uyarıları ve talimatları iletme başvurmak için saklayın.

Uyarılardaki "elektrikli alet" terimi ile ya prizden çalışan (kordonlu) elektrikli aletinizi ya da kendi aküsü ile çalışan (kordonsuz) elektrikli aletinizi kastedilmektedir.

### Akülü kalıp taşlama makinesiyle ilgili güvenlik uyarıları

Taşlama, zımparalama, telle fırçalama, parlatma, oyma veya aşındırma ile kesme işlemleri için ortak güvenlik uyarıları:

- Bu elektrikli alet bir taşlama, zımparalama, telle fırçalama, parlatma, oyma veya kesme aleti olarak kullanılmak üzere tasarlanmıştır. Bu elektrikli aletle birlikte verilen tüm güvenlik uyarılarını, talimatları, resimli açıklamaları ve teknik özellikleri okuyun.** Aşağıda listelenen talimatların herhangi birine uyulmaması elektrik çarpması, yangın ve/veya ciddi yaralanma ile sonuçlanabilir.
- Aletin imalatçısı tarafından özel olarak tasarlanmamış ve tavsiye edilmeyen aksesuarları kullanmayın.** Bir aksesuarın yalnızca elektrikli aletinize takılabiliyor olması, onun güvenli çalışmasını garanti etmez.
- Taşlama aksesuarlarının anma hızı en azından elektrikli aletin üstünde belirtilen maksimum hıza eşit olmalıdır.** Anma hızlarından daha hızlı çalışan taşlama aksesuarları kırılabilir ve fırlayabilir.

4. **Aksesuarınızın dış çapı ve kalınlığı elektrikli aletinizin kapasite derecelendirmesi dahilinde olmalıdır.** Doğru boyutta olmayan aksesuarlar yeterince korunamayabilir ve kontrol edilemeyebilirler.
5. **Çarklar, zımparalama tamburları veya diğer tüm aksesuarların mil deliği boyutu elektrikli aletin miline veya halkasına tam olarak uymalıdır.** Elektrikli aletin montaj donanımına uymayan aksesuarlar dengesiz çalışır, aşırı titreşim yapar ve kontrolün kaybedilmesine neden olabilir.
6. **Mandrel ile takılan çarklar, zımparalama tamburları, kesiciler veya diğer aksesuarlar halka veya mandrenin içine tam olarak yerleştirilmelidir.** Mandrel yeteri kadar sıkı tutulmuyorsa ve/veya çark çıkıntısı çok uzunsa, takılan çark gevşeyebilir ve yüksek hızda yerinden çıkabilir.
7. **Hasarlı bir aksesuar kullanmayın.** Her kullanımdan önce aksesuarlarda, örneğin aşındırıcı dislerde kırılma veya çatlak, zımparalama tamburunda çatlak, kopma veya aşırı aşınma, tel fırçalarda gevşek veya kırık tel kontrolü yapın. Elektrikli alet veya aksesuar düşürülürse, hasar kontrolü yapın veya hasarsız bir aksesuar takın. Bir aksesuarı kontrol ettikten ve taktıktan sonra, kendinizi ve civardaki insanları döner aksesuarın düzleminden uzak tutun ve elektrikli aleti bir dakika boyunca maksimum yavaş hızda çalıştırın. Bu test çalıştırması sırasında hasarlı aksesuarlar normalde kopar.
8. **Kişisel koruyucu donanım kullanın.** Uygulamaya bağlı olarak yüz siperleri veya güvenlik gözlükleri kullanın. Uygun görüldüğü şekilde taşılama taşlarından veya iş parçasından kopan küçük parçalardan sizi koruyabilecek toz maskesi, kulak koruyucuları, eldiven ve iş önlüğü takın. Göz koruyucuları çeşitli işlemlerin üreteceği uçan kırıntılar durdurabilecek nitelikte olmalıdır. Toz maskesi veya solunum cihazı yaptığınız işlemin üreteceği küçük parçacıkları süzebilecek nitelikte olmalıdır. Uzun süre yüksek yoğunlukta gürültüye maruz kalmak işitme kaybına neden olabilir.
9. **Civarda bulunanları çalışma alanından güvenli bir uzaklıkta tutun.** Çalışma alanına giren herkes kişisel koruyucu donanım kullanmalıdır. Kırılan bir aksesuarın veya iş parçasının kırıkları uzağa fırlayıp, çalışma yerinin ötesinde yaralanmalara neden olabilir.
10. **Kesici aksesuarın görünmeyen kabloları temas etme olasılığı bulunan yerlerde çalışırken elektrikli aleti yalıtımlı kavrama yüzeylerinden tutun.** Kesici aksesuarın "akımlı" bir telle temas etmesi elektrikli aletin yalıtımsız metal kısımlarını "akımlı" hale getirebilir ve kullanıcıyı elektrik çarpmasına maruz bırakabilir.
11. **Başlatma sırasında, aleti daima el(ler)inizle sıkıca tutun.** Motorun tepki torku, tam hıza ulaşmasıyla, aletin dönmeye başlamasına neden olabilir.
12. **Elverişli durumlarda iş parçasını desteklemek için klemp kullanın.** Kullanım sırasında, asla küçük bir iş parçasını bir elinizle, aleti de diğer elinizde tutmayın. Küçük bir iş parçasını klemple sıkıştırmak, aleti kontrol edebilmek için el(ler)inizi kullanabilmenizi sağlar. Sabitleme pimi, boru ya

da tüp gibi bombeli malzemeler kesilirken yuvarlanabilir ve kesim ucunun takılıp kalmasına veya size doğru sıçramasına neden olabilir.

13. **Aksesuar tamamen durmadan önce elektrikli aleti kesinlikle yere koymayın.** Döner aksesuar yere sürtünüp, elektrikli aletin kontrolünüz dışında fırlamasına neden olabilir.
14. **Uçları değiştirdikten ya da herhangi bir ayarlama yaptıktan sonra, halka somunu, mandren ya da diğer tüm ayar parçalarının sağlam bir şekilde sıkıştırılmış olduğundan emin olun.** Gevşek ayar parçaları, beklenmedik bir şekilde kayarak kontrol kaybına neden olabilir ve gevşek dönen parçalar şiddetle savrulabilir.
15. **Elektrikli aleti yanınızda taşırken çalıştırmayın.** Giysilerinizin kazayla döner aksesuara temas etmesi aksesuarı vücudunuza çekebilir.
16. **Elektrikli aletin havalandırma deliklerini düzenli olarak temizleyin.** Motorun fanı tozu gövdenin içine çeker ve aşırı toz metal birikimi elektrik tehlikelerine neden olabilir.
17. **Elektrikli aleti tutuşabilen malzemelerin yakınında kullanmayın.** Kırılıcımlar bu malzemeleri tutuşturabilir.
18. **Sıvı soğutucu gerektiren aksesuarlar kullanmayın.** Su veya diğer sıvı soğutucuların kullanılması elektrik çarpmasına veya şokuna neden olabilir.

#### **Geri tepme ve ilgili uyarılar**

Geri tepme sıkışan veya takılan bir döner çarka, zımparalama bandına, fırçaya veya başka bir aksesuara verilen ani bir tepkidir. Sıkışma veya takılma, döner aksesuarın aniden durmasına, bu da elektrikli aletin gücünün kontrol edilemeyerek aksesuarın dönüş yönünün aksi istikamete zorlanmasına sebep olur. Örneğin, eğer bir taşıma taşı iş parçasına takılır veya sıkışır, sıkışma noktasına giren taşın kenarı malzeme yüzeyine batarak, taşın dışarı tırmanmasına veya tepmesine neden olabilir. Taşıma taşı, sıkışma noktasında taşın hareket yönüne bağlı olarak operatöre veya ondan uzağa doğru sıçrayabilir. Bu koşullarda taşıma taşları kırılabilir de.

Geri tepme elektrikli aletin yanlış kullanılmasının ve/veya yanlış kullanım usulleri veya koşullarının bir sonucudur ve aşağıda belirtildiği gibi doğru önlemlerle önlenbilir.

1. **Elektrikli aleti daima sıkıca kavrayın ve vücudunuzun ve kolunuzun duruşunu geri tepme kuvvetlerine direnç gösterecek şekilde ayarlayın.** Doğru önlemler alınır, operatör geri tepme gücünü kontrol edebilir.
2. **Köşeler, keskin kenarlar vb. üzerinde çalışırken çok dikkatli olun.** Aksesuarın sallanmasını veya takılmasını önleyin. Köşelerde, keskin kenarlarda veya zıplama halinde, döner aksesuarın takılma eğilimi vardır ve kontrol kaybına ve geri tepmeye neden olur.
3. **Testere dişli bıçak takmayın.** Bu tip bıçaklar sık sık geri tepmeye ya da kontrol kaybına yol açar.
4. **Ucu daima kesim kenarının malzemenin çıktığı yönde (aynı zamanda küçük parçacıkların fırladığı yönde) besleyin.** Aleti yanlış yönde beslemek, ucun kesim kenarının iş parçasının dışına çıkmasına ve aleti bu besleme yönüne çekmesine neden olur.

5. **Döner eđeler, kesme diskleri, yüksek hızlı kesiciler veya tungsten karbür kesiciler kullanırken iş parçasının mutlaka güvenli bir şekilde sabitleyin.** Bu çarklar yarıktaki hafifçe eğilirse tutukluk yapar ve geri tepebilir. Bir kesme diskini tutukluk yaptığında diskin kendisi genellikle kırılır. Bir döner eđer, yüksek hızlı kesici veya tungsten karbür kesici tutukluk yaptığında yarıktan sıçrayabilir ve aletin kontrolünü kaybedebilirsiniz.

#### **Taşılama ve aşındırarak kesme işlemlerine özgü güvenlik uyarıları:**

1. **Sadece aletiniz için önerilen disk tiplerini kullanın ve yalnızca önerilen uygulamalar için kullanın. Örneğin bir kesme diskinin yan tarafıyla taşılama yapmayın.** Aşındırıcı kesme diskleri çevresel aşındırmaya yöneliktir, bu disklere uygulanan yan kuvvetler parçalanmalarına neden olabilir.
2. **Kesme diskini "sıkıştırmayın" veya diske aşırı basınç uygulamayın. Aşırı derin kesim yapmaya çalışmayın.** Diskin aşırı zorlanması yükü ve diskin kesik içinde bükülmeye veya takılma yetkinliğini artırarak, geri tepme veya diskin kırılması olasılığını yükseltebilir.
3. **Elinizi asla dönen diskle aynı hızda ya da diskin arkasında tutmayın.** Kullanım sırasında, disk elinizden uzaklaşırken, olası bir geri tepme dönen diskin ve aletin tam üzerine doğru itilmesine neden olabilir.
4. **Disk sıkıştığı, takıldığı veya herhangi bir nedenle kesmeyi durdurduğu zaman, elektrikli aleti kapatın ve disk tamamen duruncaya kadar elektrikli aleti hareketsiz şekilde tutun. Kesme diski dönerken onu kesinlikle kesikten çıkarmaya çalışmayın aksi takdirde geri tepme oluşabilir.** Diskin sıkışma veya takılma nedenini araştırıp, ortadan kaldırmak için düzeltici işlemleri yapın.
5. **Kesme işlemini iş parçasının içinde yeniden başlatmayın. Diskin tam hıza ulaşmasını bekleyin ve dikkatli şekilde tekrar keşięe sokun.** Elektrikli alet iş parçası içinde tekrar çalıştırılırsa, disk takılabilir, yukarı tırmanabilir veya geri tepebilir.
6. **Diskin takılması ve geri tepme riskini en aza indirmek için panelleri veya çok büyük iş parçalarını destekleyin.** Büyük iş parçaları kendi ağırlıkları altında bel vermeye meyillidir. Destekler diskin her iki yanında kesme hattına ve iş parçasının kenarına yakın olarak, iş parçasının altına yerleştirilmelidir.
7. **Mevcut duvarların veya diğer kör alanların içine "oyuk kesme" yaparken daha fazla dikkat gösterin.** Fazla ileri giden disk gaz veya su borularını, elektrik kablolarını veya geri tepmeye neden olabilecek nesnelere kesebilir.

#### **Telle fırçalamaya işlemlerine özgü güvenlik uyarıları:**

1. **Olağan işlemler sırasında bile fırçadan tellerin fırlayabileceğini bilin. Fırçaya aşırı yük uygulayarak telleri aşırı zorlamayın.** Teller kolaylıkla ince giysilere ve/veya cilde batabilir.
2. **Kullanmadan önce fırçaların en az bir dakika çalışma hızında çalışmasına izin verin. Bu süre içinde fırçanın önünde veya fırça ile aynı hatta kimse durmamalıdır. İlk çalışma sırasında**

gevşek teller atılacaktır.

3. **Döner tel fırçanın atma yönünü kendinizden uzağa yönlendirin.** Bu fırçaların kullanılması sırasında küçük parçacıklar ve minik tel parçacıkları yüksek hızda atılabilir ve cildinize batabilir.

#### **Ek Güvenlik Uyarıları:**

1. **Bu alet, düz mandrele (şanka) kalıcı olarak takılmış baęlı zımpara çark ucuyla (taşılama çarkıyla) kullanılmak için tasarlanmıştır.**
2. **Alet çalıştırılmadan önce çarkın iş parçasına değmediğinden emin olun.**
3. **Aleti gerçek bir iş parçası üzerinde kullanmadan önce bir süre boşa çalıştırın. Taşın yanlışı takılmış veya dengesiz olduğunu gösteren titreme ya da yalpalamalara dikkat edin.**
4. **Taşılama yaparken diskin belirlenmiş yüzeyini kullanın.**
5. **Çıkan kıvılcımlara dikkat edin. Aleti çıkan kıvılcımların size, başkalarına veya kolay tutuşan malzemelere gelmeyeceği şekilde tutun.**
6. **Aleti çalışır durumda bırakmayın. Aleti sadece elinizde tutarken çalıştırın.**
7. **Çalışmadan hemen sonra iş parçasına dokunmayın; Çok sıcak olabilir ve cildinizi yakabilir.**
8. **Çarkların doğru monte edilmesi ve kullanılması için imalatçının talimatlarına uyun. Çarkları özenle aktarın ve saklayın.**
9. **İş parçasının doğru desteklenip desteklenmediğini kontrol edin.**
10. **Bu aleti asbest içeren hiçbir malzeme üstünde kullanmayın.**
11. **Her zaman yere sağlam basın. Aleti yüksekte kullanırken, aşağıda kimsenin olmadığından emin olun.**

## **BU TALİMATLARI MUHAFAZA EDİNİZ.**

**⚠UYARI:** Ürünü kullanırken (defalarca kullanınca kazanılan) rahatlık ve tanıdıklık duygusunun ilgili ürünün güvenlik kurallarına sıkı sıkıya baęlı kalmanızı yerine geçmesine İZİN VERMEYİN. YANLIŞ KULLANIM veya bu kullanma kılavuzunda belirtilen emniyet kurallarına uymama ciddi yaralanmaya neden olabilir.

## **Batarya kartuşu hakkında önemli güvenlik talimatları**

1. **Batarya kartuşunu kullanmadan önce, tüm talimatları ve (1) batarya kartuşu, (2) batarya ve (3) ürün üzerindeki tüm uyarı işaretlerini okuyun.**
2. **Batarya kartuşunu parçalarına ayırmayın veya kurcalamayın. Yangın, aşırı ısı veya patlamaya neden olabilir.**
3. **Çalışma süresi aşırı derecede kısalırsa kullanmayı derhal bırakın. Aşırı ısınma, yanma riski hatta patlamaya neden olabilir.**
4. **Gözünüzde elektrolit kaçarsa, gözlerinizi temiz suyla durulayın ve hemen tıbbi yardım alın. Görme kaybına yol açabilir.**

5. **Batarya kartuşuna kısa devre yaptırmayın:**

- (1) Terminallere herhangi bir iletken madde deęirdirmeyin.
- (2) Batarya kartuşunu çiviler, madeni paralar, vb. gibi başka metal nesnelere aynı kaba koymaktan kaçının.
- (3) Batarya kartuşunu yağmura ya da suya maruz bırakmayın.

Kısa devre, büyük bir akım akışına, aşırı ısınmaya, olası yanıklara hatta bataryanın bozulmasına yol açabilir.

6. **Aleti ve batarya kartuşunu sıcaklığın 50 °C ya da daha yükseğe ulaştığı yerlerde saklamayın ve kullanmayın.**
7. **Aşırı derecede hasar görmüş ya da tamamen kullanılamaz durumda olsa bile batarya kartuşunu yakmayın. Batarya kartuşu ateşe atılırsa patlayabilir.**
8. **Batarya kartuşunu çivilememeyin, kesmeyin, ezmeyin, fırlatmayın, düşürmeyin ya da batarya kartuşuna sert bir nesne ile vurmayın.** Bu eylemler yangın, aşırı ısı veya patlamaya neden olabilir.
9. **Hasarlı bataryayı kullanmayın.**
10. **Aletin içerdığı lityum-iyon bataryalar Tehlikeli Eşyalar Yönetmeliğinin gereksinimlerine tabidir.**  
Ticari nakliye işlemleri için, örneğin üçüncü taraf, nakliye acenteleri tarafından yapılan nakliyelerde, paketlenme ve etiketleme gereksinimlerine uyulmalıdır.  
Nakliyesi yapılacak ürünün hazırlanması için, tehlikeli maddeler konusunda uzman bir kişiye danışın. Lütfen muhtemelen daha ayrıntılı olan ulusal yönetmeliklere de uyun.  
Açık kontakları bantlayın ya da maskeleyin ve bataryayı paketin içinde hareket etmeyecek şekilde paketlenin.
11. **Batarya kartuşunu bertaraf ederken aletten çıkarın ve güvenli bir yerde bertaraf edin. Bataryanın bertaraf edilmesi ile ilgili yerel düzenlemelere uyunuz.**
12. **Bataryaları sadece Makita tarafından belirtilen ürünlerle kullanın.** Bataryaların uyumsuz ürünlere takılması; yangın, aşırı ısınma, patlama ya da elektrolit sızıntısına neden olabilir.
13. **Alet uzun süre kullanılmıyacaksa batarya aletten çıkarılmalıdır.**
14. **Kullanma sırasında ve sonrasında batarya kartuşu ısınarak yanıklara veya düşük sıcaklık yanıklarına yol açabilir. Sıcak batarya kartuşları ile işlem yaparken dikkat edin.**
15. **Yanıklara neden olabilecek kadar sıcak olabileceğinden kullandıktan hemen sonra aletin terminaline dokunmayın.**
16. **Batarya kartuşunun terminallerine, deliklerine ve kanallarına micir, toz veya toprak girmesine izin vermeyin.** Aletin veya batarya kartuşunun ısınmasına, alev almasına, patlamasına ve arızalanmasına neden olarak yanıklara veya yaralanmaya yol açabilir.
17. **Alet yüksek gerilim elektrik güç hatları yakınında kullanımı desteklemediği sürece batarya kartuşunu yüksek gerilim elektrik güç hatlarının yakınında kullanmayın. Aletin veya batarya**

kartuşunun arızalanmasına veya bozulmasına neden olabilir.

18. **Bataryayı çocuklardan uzak tutun.**

## BU TALİMATLARI MUHAFAZA EDİNİZ.

**⚠DİKKAT:** Sadece orijinal Makita bataryalarını kullanın. Orijinal olmayan Makita bataryaları ya da üzerine deęişiklik yapılmış bataryaların kullanımı bataryanın patlamasına ve sonuç olarak yangın, kişisel yaralanma ve hasara neden olabilir. Ayrıca Makita aleti ve şarj aletinin Makita tarafından sunulan garantisini de geçersiz olur.

**ÖNEMLİ NOT:** Makita, orijinal olmayan Makita bataryaların veya modifiye edilmiş bataryaların kullanılmasından kaynaklanan kazalardan sorumlu deęildir. Orijinal Makita bataryalar, ilgili mevzuat ve güvenlik standartlarına uygun olarak, Makita aletler ve şarj cihazlarıyla uyumluluk için titizlikle deęerlendirilmiştir.

## Maksimum batarya ömrü için ipuçları

1. **Batarya kartuşunu tamamen boşalmadan önce şarj edin. Aletin gücünün zayıflamaya başladığını fark ettiğinizde aleti durdurun ve batarya kartuşunu şarj edin.**
2. **Tam dolu bir batarya kartuşunu asla yeniden şarj etmeyin. Aşırı şarj etme bataryanın hizmet ömrünü kısaltır.**
3. **Batarya kartuşunu 10 °C - 40 °C oda sıcaklığında şarj edin. Sıcak bir batarya kartuşunu şarj etmeden önce soğumasını bekleyin.**
4. **Batarya kartuşunu kullanmıyorken aletten veya şarj aletinden çıkarın.**
5. **Uzun bir süre (altı aydan daha fazla) kullanmadığınız durumlarda batarya kartuşunu şarj edin.**

## İŞLEVSEL NİTELİKLER

**⚠UYARI:** Alet üzerinde ayarlama veya işleyiş kontrolü yapmadan önce aletin kapalı ve batarya kartuşunun ayrılmış olduğundan daima emin olun.

## Batarya kartuşunun takılması ve çıkarılması

**⚠DİKKAT:** Batarya kartuşunu takmadan ya da çıkarmadan önce aleti daima kapatın.

**⚠DİKKAT:** Batarya kartuşunu takarken veya çıkarırken aleti ve batarya kartuşunu sıkıca tutun. Aletin ve batarya kartuşunun sıkıca tutulmaması bunların düşürülmesine sebep olabilir ve alet ve batarya kartuşunun zarar görmesine ya da ciddi yaralanmasına yol açabilir.

Batarya kartuşunu takmak için, batarya kartuşu üzerindeki dili yuvanın oluğu ile hizalayın ve kartuşu yerine

oturtun. Kartuşu, küçük bir tık sesi ile yerine sabitlenene dek sonuna kadar ittirin. Şekilde gösterildiği gibi kırmızı göstergeyi görebiliyorsanız tam olarak kilitlenmemiş demektir.

Batarya kartuşunu çıkarmak için, kartuşun ön tarafındaki düğmeyi kaydırarak kartuşu aletten çıkarın.

► **Şek.1:** 1. Kırmızı gösterge 2. Düğme 3. Batarya kartuşu

**⚠ DİKKAT:** Batarya kartuşunu daima kırmızı gösterge görünmeyecek şekilde tam olarak takın. Yerine tam oturmazsa, aletten yanlışlıkla düşebilir, sizin ya da çevrenizdeki kişilerin yaralanmasına neden olabilir.

**⚠ DİKKAT:** Batarya kartuşunu zorlayarak takmayın. Kartuş kolay bir şekilde kaymıyorsa doğru yerleştirilmemiş demektir.

## Kalan batarya kapasitesinin gösterilmesi

Kalan batarya kapasitesini göstermesi için batarya kartuşu üzerindeki kontrol düğmesine basın. Gösterge lambaları birkaç saniye yanar.

► **Şek.2:** 1. Gösterge lambaları 2. Kontrol düğmesi

Gösterge lambaları			Kalan kapasite
Yanıyor	Kapalı	Yanıp sönyör	
■	□	▣	
■ ■ ■ ■			%75 ila %100
■ ■ ■ □			%50 ila %75
■ ■ □ □			%25 ila %50
■ □ □ □			%0 ila %25
▣ □ □ □			Bataryayı şarj edin.
■ ■ □ □	↑ ↓	□ □ ■ ■	Batarya arızalanmış olabilir.

**NOT:** Kullanım koşullarına ve ortam sıcaklığına bağlı olarak, gösterilen değer gerçek kapasiteden biraz farklılık gösterebilir.

**NOT:** İlk (en soldaki) gösterge lambası, batarya koruma sistemi çalıştığı anda yanıp söner.

## Alet/batarya koruma sistemi

Bu alet bir alet/batarya koruma sistemi ile donatılmıştır. Bu sistem motora giden gücü otomatik olarak keserek uzun alet ve batarya ömrü sağlar. Alet veya batarya için aşağıdaki durumlardan biri söz konusu olduğunda aletin işleyişi otomatik olarak durur:

## Aşırı yük koruması

Alet/batarya, anormal derecede yüksek akım çekmesine neden olacak şekilde kullanıldığında, alet hiçbir belirti vermeden otomatik olarak durur. Bu durumda, aleti kapatın ve aletin aşırı yüklenmesine neden olan uygulamayı durdurun. Ardından yeniden başlatmak için aleti çalıştırın.

## Aşırı ısınma koruması

Alet/batarya aşırı ısındığında alet otomatik olarak durur ve lamba yanıp söner. Aleti tekrar açmadan önce soğumasını bekleyin.

## Aşırı deşarj koruması

Batarya kapasitesi yeterli olmadığında, alet otomatik olarak durur. Bu durumda, bataryayı aletten çıkarın ve bataryayı tekrar şarj edin.

## Koruma kilidinin kaldırılması

Koruma sistemi art arda çalıştığı anda alet kilitlenir. Bu durumda, alet kapatılıp tekrar açılma da alet çalışmaya başlamaz. Koruma kilidini kaldırmak için, bataryayı çıkarın, batarya şarj aletine takın ve şarj bitene kadar bekleyin.

## Diğer nedenlere karşı korumalar

Koruma sistemi, alete zarar verebilecek diğer nedenler için de tasarlanmıştır ve aletin otomatik olarak durmasını sağlar. Alet çalışırken geçici duraklama ve durma yaparsa nedenleri ortadan kaldırmak için aşağıdaki tüm adımları uygulayın.

1. Tüm anahtarların kapalı konumunda olduklarından emin olarak yeniden çalıştırmak için aleti açın.
2. Bataryaları şarj edin veya şarjlı bataryalarla değiştirin.
3. Aletin ve bataryaların soğumasını bekleyin.

Koruma sistemi eski haline getirilerek ilerleme kaydedilemezse yerel Makita Servis Merkezimize başvurun.

## Şaft kilidi

**⚠ UYARI:** Mil hareket halindeyken şaft kilidini asla kullanmayın. Ciddi yaralanmaya veya alette hasara neden olabilir.

**⚠ UYARI:** Şaft kilidi bırakıldığında orijinal konumuna tamamen döndüğünden emin olun.

Aksesuarları takarken veya çıkarırken milin dönmesini önlemek için şaft kilidine basın.

► **Şek.3:** 1. Şaft kilidi

## Anahtar işlemi

Sadece model GD001G için

**⚠️DİKKAT:** Batarya kartuşunu alete takmadan önce, sürgülü anahtarın doğru çalıştığından ve anahtarın arka tarafı alçaldığında "OFF" (kapalı) konumuna geldiğinden emin olun.

**⚠️DİKKAT:** Uzun süreli kullanım sırasında kullanıcının rahatı için anahtar "ON" (açık) konumunda kilitlenebilir. Anahtar "ON" (açık) konumunda kilitliyiken dikkatli olun ve aleti sıkı kavrayın.

Aleti başlatmak için, sürgülü anahtarı "I (AÇIK)" konumuna getirin. Sürekli kullanım için, sürgülü anahtarın ön tarafına basarak anahtarı kilitleyin.

Aleti durdurmak için, sürgülü anahtarın arka ucuna basın ve "O (KAPALI)" konuma kaydırın.

► **Şek.4:** 1. Sürgülü anahtar

Sadece model GD002G için

**⚠️DİKKAT:** Batarya kartuşunu alete takmadan önce anahtar kolunun doğru çalıştığından ve bırakıldığında "OFF" (kapalı) konumuna döndüğünden emin olun.

**⚠️DİKKAT:** Güvenliğiniz için bu alet, aletin yanlışlıkla çalışmasını engelleyen güvenlik kilidi kolu ile donatılmıştır. Güvenlik kilidi kolunu çekmeden sadece anahtar kolu çekilmek suretiyle çalışıyorsa aleti ASLA kullanmayın. Daha fazla kullanmadan ÖNCE aleti uygun onarım için yetkili servis merkezimize getirin.

**⚠️DİKKAT:** Güvenlik kilidi kolunu çekmeden anahtar kolunu zorlayarak çekmeyin. Bu, anahtarın kırılmasına neden olabilir.

**⚠️DİKKAT:** Güvenlik kilidi kolunu ASLA bantlamayın veya amacını ve işlevini engelleyecek şekilde devre dışı bırakmayın.

Anahtar kolunun kaza sonucu çekilmesini önlemek için, bir güvenlik kilidi kolu sunulmuştur.

Aleti çalıştırmak için, güvenlik kilidi kolunu kullanıcıya doğru çekin ve ardından anahtar kolunu çekin.

Aleti durdurmak için anahtar kolunu serbest bırakın.

► **Şek.5:** 1. Güvenlik kilidi kolu 2. Anahtar kolu

## Hız ayarlama kadranı

Aletin devir hızı, hız ayarlama kadranı çevrilerek değiştirilebilir. Aşağıdaki tabloda kadran üzerindeki rakam ve buna karşılık gelen devir hızı gösterilmiştir.

► **Şek.6:** 1. Hız ayarlama kadranı

Rakam	Hız
1	7.000 min <sup>-1</sup>
2	12.500 min <sup>-1</sup>
3	18.000 min <sup>-1</sup>
4	23.500 min <sup>-1</sup>
5	29.000 min <sup>-1</sup>

**ÖNEMLİ NOT:** Alet düşük hızda uzun süre kesintisiz olarak çalıştırılırsa motor aşırı yüklenerek aletin arızalanmasına neden olur.

**ÖNEMLİ NOT:** Hız ayar kadranını en fazla 5'e kadar ve geriye 1'e kadar çevrilebilir. 5'i veya 1'i geçirmeye zorlamayın, aksi takdirde hız ayarlama işlevi artık çalışmayabilir.

## Ön lambanın yakılması

**⚠️DİKKAT:** Işığa bakmayın ya da ışık kaynağını doğrudan görmeyin.

Batarya kartuşu takıldığında ön lamba 10 saniye yanar veya anahtar açık konumda iken sürekli yanar.

Lamba, anahtar kapalı konuma alındıktan 10 saniye sonra söner.

► **Şek.7:** 1. Ön lamba

## Lamba durumunu devre dışı bırakma veya etkinleştirme

Lamba durumunu devre dışı bırakmak veya etkinleştirmek için aşağıdaki adımları izleyin.

1. Batarya kartuşunu alete takın.
2. Hız ayarlama kadranını "5"e ayarlayın.
3. Hız ayarlama kadranını "1"e getirin ve ardından "5"e geri getirin.

**NOT:** Lamba durumu, batarya kartuşu takıldıktan sonra 10 saniye içinde değiştirilebilir. Anahtar açıldığında, batarya kartuşu takıldıktan sonra 10 saniyelik süre içinde olursa bile lamba durumu değiştirilemez.

**NOT:** Lamba durumu, hız ayarlama kadranını "1" - "5" - "1" şeklinde ayarlanarak da değiştirilebilir.

**NOT:** Lamba durumunun yeniden ayarlamak için önce batarya kartuşunu çıkarın ve ardından hız ayarlama kadranını ayarlayın.

**NOT:** Lamba durumu, aletin kullanıldığı son seferki duruma aynı olacaktır.

## İstemsiz yeniden başlatma önleyici işlev

Anahtar AÇIK konumda iken batarya kartuşu takıldığında alet çalışmaz.

Aleti çalıştırmak için anahtarı kapatıp yeniden açın.

## Aktif Geri Besleme Algılama Teknolojisi

Alet, diskin ya da aksesuarın takılma riski olduğu durumları elektronik olarak algılar. Bu durumda, alet milin daha fazla dönmesini engellemek için otomatik olarak kapanır (geri tepmeyi engellemez).

Aleti yeniden başlatmak için, önce aleti kapatın, dönüş hızındaki ani düşüşün nedenini ortadan kaldırın ve ardından aleti açık konuma getirin.

## Yumuşak başlatma özelliği

Yumuşak başlatma özelliği başlatma tepkisini azaltır.

## Sabit devir kontrolü

Yüküli koşulda bile dönüş hızı sabit kaldığı için iyi bir finiş elde etmek mümkün olur.

## Elektrikli freni

Elektrikli fren alet kapatıldıktan sonra etkinleşir. Güç kaynağı kapalı olduğunda, örneğin anahtar açık durumdayken batarya kazara çıkarıldığına fren çalışmaz.

## MONTAJ

**⚠ DİKKAT:** Alet üzerinde herhangi bir iş yapmadan önce aletin kapalı ve batarya kartuşunun ayrılması olduğundan daima emin olun.

## Aksesuarın takılması veya çıkarılması

**⚠ DİKKAT:** Kullanmayı düşündüğünüz aksesuara uygun büyüklükteki halka kovanını kullanın.

**ÖNEMLİ NOT:** Bir aksesuar takmadan halka somununu sıkmayın. Aksi takdirde halka kovani kırılabilir.

## Şaft kilidini kullanma

Mil dönemeyecek şekilde şaft kilidine iyice bastırın. Halka somununu saatin aksi yönünde döndürerek gevşetin ve aksesuarı halka somununun içine takın. Anahtarı kullanarak halka somununu saat yönünde sıkın.

► **Şek.8:** 1. Şaft kilidi 2. Anahtar 3. Aksesuar 4. Halka somunu

## İki anahtar kullanma

Halka somununu saatin aksi yönünde döndürerek gevşetin ve aksesuarı halka somununun içine takın. Bir anahtar kullanarak mili tutun. Başka bir anahtar kullanarak, halka somununu iyice sıkılamak için saat yönünde döndürün.

► **Şek.9:** 1. İngiliz anahtarı 2. Aksesuar 3. Halka somunu

**NOT:** Halka somununu gevşettikten sonra, aksesuarı halka somununun içine takamıyorsanız, halka kovani aksesuarı engelliyor olabilir. Bu durumda, halka somununu çıkarın ve halka kovanını yeniden yerleştirin.

Aksesuar, halka somunu ile arasındaki mesafe en çok 10 mm olacak biçimde monte edilmelidir. Bu mesafenin aşılması titreşime veya şaftın bozulmasına neden olabilir.

► **Şek.10**

## Halka kovanının değiştirilmesi

1. Halka somununu gevşetip çıkarın.
  2. Takılı halka kovanını istediğiniz halka kovani ile değiştirin.
  3. Halka somununu yeniden takın.
- **Şek.11:** 1. Halka somunu 2. Halka kovani

Halka kovani çıkarılamıyorsa halka kovanını uzun kargaburun pense ile sıkıp çıkarın. Halka kovanının deforme olmasını önlemek için sıkarken aşırı güç uygulamayın.

► **Şek.12:** 1. Halka kovani

## KULLANIM

**⚠ DİKKAT:** Alete hafif basınç uygulayın. Alete aşırı basınç verilmesi, yalnızca kötü bir yüzey oluşmasına ve motorun aşırı yüklenmesine neden olacaktır.

**⚠ DİKKAT:** Aksesuar, alet kapatıldıktan sonra bir süre dönmeye devam eder.

**⚠ DİKKAT:** Aleti iki elle sıkıca tutun.

**⚠ DİKKAT:** Piyasada satılan aksesuarları kullanırken aksesuarların nominal hızlarının, aletin üzerinde işaretli maksimum hızla en azından eşit olduğundan emin olun.

Aleti aksesuar iş parçasına temas etmeden çalıştırın ve aksesuarın tam hızına ulaşmasını bekleyin. Sonra aksesuarı iş parçasına nazikçe uygulayın.

► **Şek.13**

**NOT:** Yandan taşlama yaparken aletin sola doğru yavaşça hareket ettirilmesi iyi bir yüzey elde edilmesini sağlayabilir.

## BAKIM

**⚠ DİKKAT:** Muayene ya da bakım yapmadan önce aletin kapalı ve batarya kartuşunun çıkartılmış olduğundan daima emin olun.

**ÖNEMLİ NOT:** Benzin, tiner, alkol ve benzeri maddeleri kesinlikle kullanmayın. Renk değişimi, deformasyon veya çatlaklar oluşabilir.

Aleti EMNİYETLİ ve ÇALIŞMAYA HAZIR durumda tutmak için onarımlar, başka her türlü bakım ve ayarlamalar daima Makita yedek parçaları kullanılarak Makita yetkili servis merkezleri veya Fabrikanın Servis Merkezleri tarafından yapılmalıdır.

## Çark ucunun temizlenmesi

Çark ucu, çeşitli parçacıklar ve maddelerle "dolmuş" hale geldiğinde, çark ucu temizleme taşı ile temizlemeniz gerekir.

## Hava deliğinin temizlenmesi

Alet ve hava delikleri temiz tutulmalıdır. Aletin hava deliklerini düzenli aralıklarla veya delikler her tıkanmaya başladığında temizleyin.

► **Şek.14:** 1. Hava çıkma deliği 2. Hava alma deliği

Toz kapağını hava alma deliğinden çıkarın ve rahat bir hava sirkülasyonu için temizleyin.

► **Şek.15:** 1. Toz kapağı

**ÖNEMLİ NOT:** Toz kapağı toz ya da yabancı maddelerle tıkanıldığında çıkarıp temizleyin. Tıkalı bir toz kapağı ile çalışmaya devam etmek alete zarar verebilir.

## İSTEĞE BAĞLI AKSESUARLAR

**⚠ DİKKAT:** Bu aksesuarlar ve ek parçalar bu el kitabında belirtilen Makita aletiniz ile kullanılmak için tavsiye edilmektedir. Herhangi başka bir aksesuar ya da ek parça kullanılması insanlar için bir yaralanma riski getirebilir. Aksesuarları ya da ek parçaları yalnızca belirtilmiş olan kullanım amaçlarına uygun olarak kullanın.

Bu aksesuarlarla ilgili daha fazla bilgiye ihtiyaç duyar-sanız bulunduğunuz yerdeki yetkili Makita servisine başvurun.

- Çark uçları
- Halka kovani (3 mm, 6 mm, 8 mm, 1/4", 1/8")
- Halka somunu
- 13 numara anahtar
- Orijinal Makita batarya ve şarj aleti

**NOT:** Listedeki parçaların bazıları alet paketi içeri-sinde standart aksesuar olarak dahil edilmiş olabilir. Bunlar ülkeden ülkeye farklılık gösterebilir.

# Makita Europe N.V.

Jan-Baptist Vinkstraat 2, 3070 Kortenberg, Belgium

# Makita Corporation

3-11-8, Sumiyoshi-cho, Anjo, Aichi 446-8502 Japan

[www.makita.com](http://www.makita.com)



885B23-996  
EN, FR, DE, IT, NL,  
ES, PT, EL, TR  
20250522