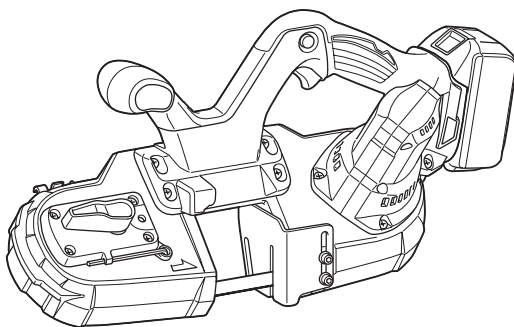




| | | | |
|----|--------------------------------------|-------------------------|----|
| EN | Cordless Portable Band Saw | INSTRUCTION MANUAL | 5 |
| FR | Scie à Ruban Portative sans Fil | MANUEL D'INSTRUCTIONS | 11 |
| DE | Akku-Bandsäge | BETRIEBSANLEITUNG | 18 |
| IT | Sega a nastro portatile a batteria | ISTRUZIONI PER L'USO | 25 |
| NL | Draagbare accubandzaag | GEBRUIKSAANWIJZING | 32 |
| ES | Sierra de Banda Portátil Inalámbrica | MANUAL DE INSTRUCCIONES | 39 |
| PT | Serra de Fita a Bateria | MANUAL DE INSTRUÇÕES | 46 |
| DA | Akku bærbar båndsav | BRUGSANVISNING | 53 |
| EL | Φορητή προιονοκορδέλα μπαταρίας | ΕΓΧΕΙΡΙΔΙΟ ΟΔΗΓΙΩΝ | 59 |
| TR | Akülü Portatif Şerit Testere | KULLANMA KILAVUZU | 66 |

DPB182



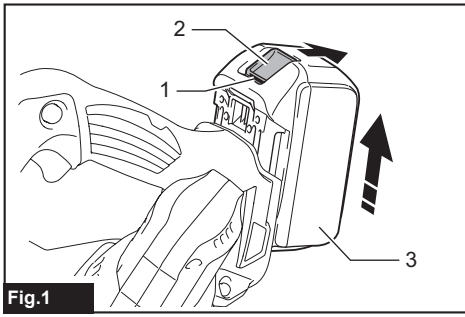


Fig.1

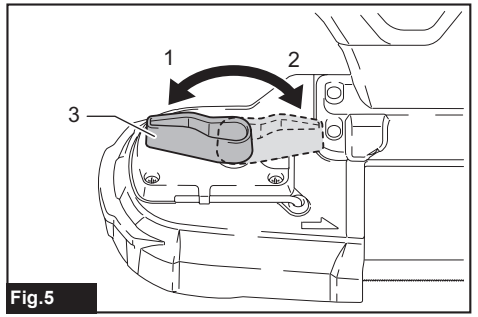


Fig.5

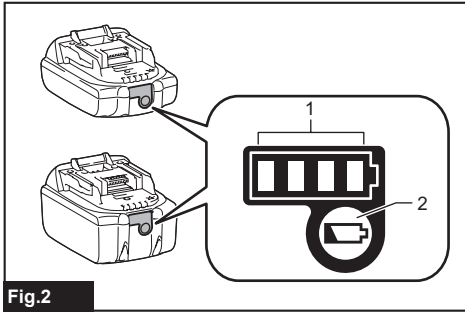


Fig.2

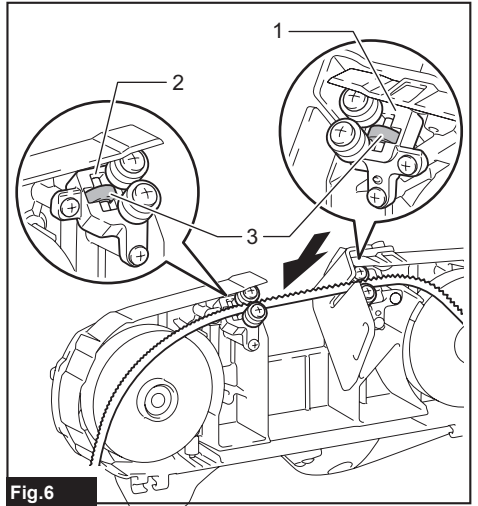


Fig.6

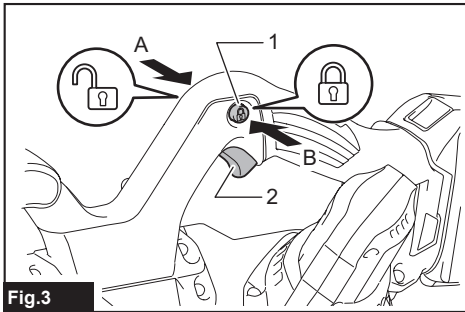


Fig.3

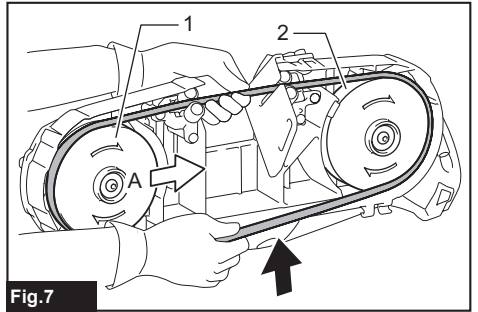


Fig.7

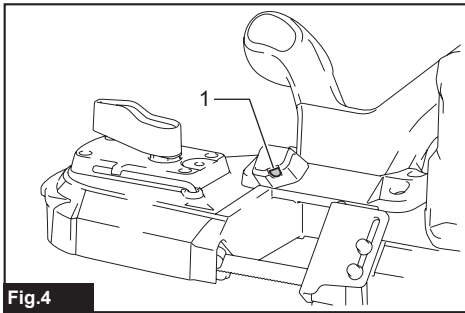


Fig.4

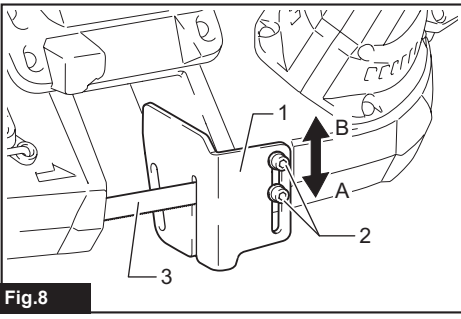


Fig.8

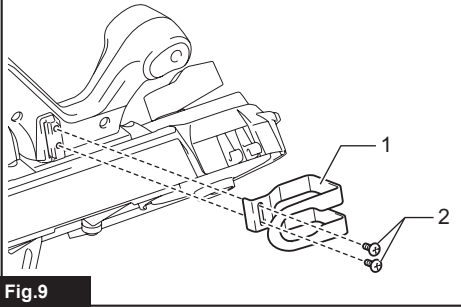


Fig.9

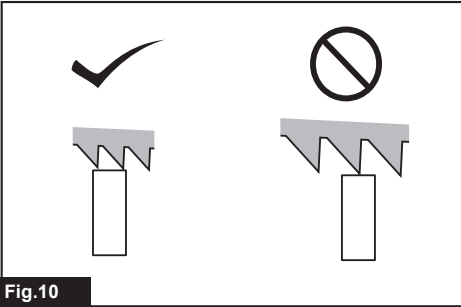


Fig.10

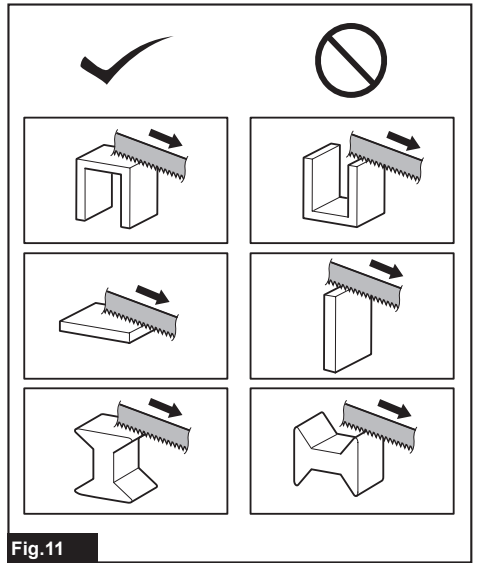


Fig.11

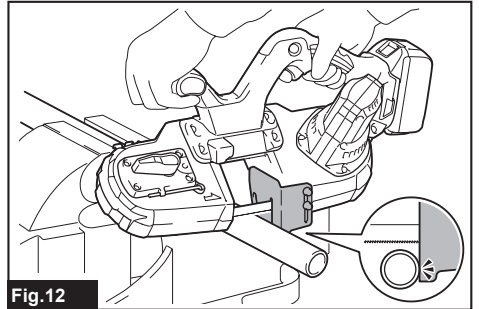


Fig.12

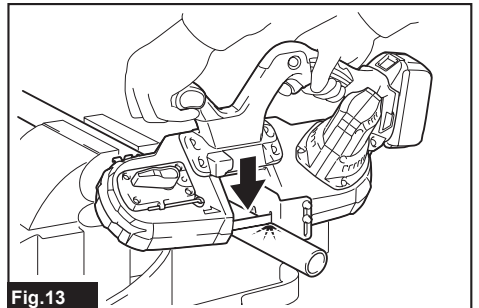


Fig.13

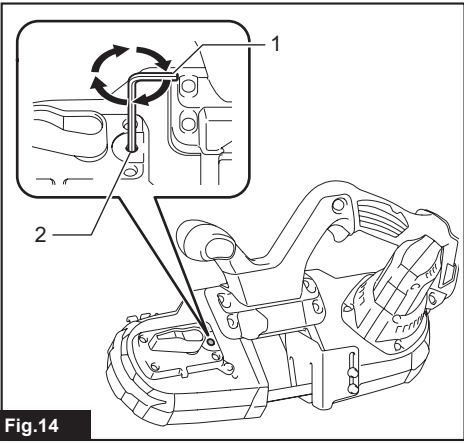


Fig.14

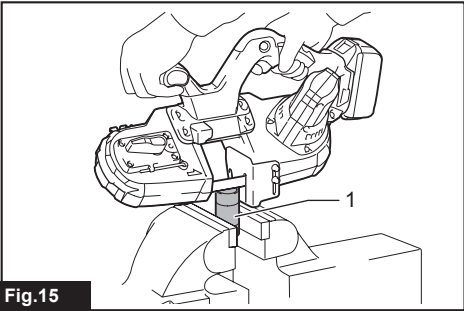


Fig.15

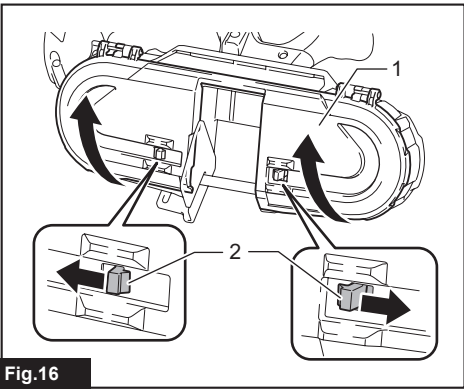


Fig.16

SPECIFICATIONS

| | | |
|--|-----------------------|--------------------------|
| Model: | | DPB182 |
| Max. cutting capacity | Round workpiece | 64 mm dia. |
| | Rectangular workpiece | 64 mm x 64 mm |
| Blade speed | | 3.2 m/s (190 m/min) |
| Blade size | Length | 835 mm |
| | Width | 13 mm |
| | Thickness | 0.5 mm |
| Dimensions (L x W x H) without wheel cover | | 477 mm x 197 mm x 229 mm |
| Rated voltage | | D.C. 18 V |
| Net weight without wheel cover | | 3.8 - 4.1 kg |

- Due to our continuing program of research and development, the specifications herein are subject to change without notice.
- Specifications may differ from country to country.
- The weight may differ depending on the attachment(s), including the battery cartridge. The lightest and heaviest combination are shown in the table.

Applicable battery cartridge and charger

| | |
|-------------------|---|
| Battery cartridge | BL1815N / BL1820B / BL1830B / BL1840B / BL1850B / BL1860B |
| Charger | DC18RC / DC18RD / DC18RE / DC18SD / DC18SE / DC18SF / DC18SH / DC18WC |

- Some of the battery cartridges and chargers listed above may not be available depending on your region of residence.

⚠WARNING: Only use the battery cartridges and chargers listed above. Use of any other battery cartridges and chargers may cause injury and/or fire.

Intended use

The tool is intended for cutting in plastic and ferrous materials.

Noise

The typical A-weighted noise level determined according to EN60745-2-20:

Sound pressure level (L_{pA}) : 79 dB (A)

Uncertainty (K) : 3 dB (A)

The noise level under working may exceed 80 dB (A).

NOTE: The declared noise emission value(s) has been measured in accordance with a standard test method and may be used for comparing one tool with another.

NOTE: The declared noise emission value(s) may also be used in a preliminary assessment of exposure.

⚠WARNING: Wear ear protection.

⚠WARNING: The noise emission during actual use of the power tool can differ from the declared value(s) depending on the ways in which the tool is used especially what kind of workpiece is processed.

⚠WARNING: Be sure to identify safety measures to protect the operator that are based on an estimation of exposure in the actual conditions of use (taking account of all parts of the operating cycle such as the times when the tool is switched off and when it is running idle in addition to the trigger time).

Vibration

The vibration total value (tri-axial vector sum) determined according to EN60745-2-20:

Work mode: cutting metal

Vibration emission ($a_{h,CM}$) : 2.5 m/s² or less

Uncertainty (K) : 1.5 m/s²

NOTE: The declared vibration total value(s) has been measured in accordance with a standard test method and may be used for comparing one tool with another.

NOTE: The declared vibration total value(s) may also be used in a preliminary assessment of exposure.

⚠️WARNING: The vibration emission during actual use of the power tool can differ from the declared value(s) depending on the ways in which the tool is used especially what kind of workpiece is processed.

⚠️WARNING: Be sure to identify safety measures to protect the operator that are based on an estimation of exposure in the actual conditions of use (taking account of all parts of the operating cycle such as the times when the tool is switched off and when it is running idle in addition to the trigger time).

Declarations of Conformity

For European countries only

The Declarations of conformity are included in Annex A to this instruction manual.

SAFETY WARNINGS

General power tool safety warnings

⚠️WARNING Read all safety warnings, instructions, illustrations and specifications provided with this power tool. Failure to follow all instructions listed below may result in electric shock, fire and/or serious injury.

Save all warnings and instructions for future reference.

The term "power tool" in the warnings refers to your mains-operated (corded) power tool or battery-operated (cordless) power tool.

Cordless portable band saw safety warnings

1. Hold power tool by insulated gripping surfaces, when performing an operation where the cutting accessory may contact hidden wiring. Cutting accessories contacting a "live" wire may make exposed metal parts of the power tool "live" and could give the operator an electric shock.

Additional Safety Warnings:

2. Use only blades which are listed in "SPECIFICATIONS".
3. Check the blade carefully for cracks or damage before operation. Replace cracked or damaged blade immediately.
4. Secure the workpiece firmly. When cutting a bundle of workpieces, be sure that all workpieces are secured together firmly before cutting.
5. Cutting workpieces covered with oil can cause the blade to come off unexpectedly. Wipe off all excess oil from workpieces before cutting.
6. Never use the cutting oil as a cutting lubricant. Use only Makita cutting wax.
7. Do not wear gloves during operation.

8. Hold the tool firmly with both hands.
9. Keep hands away from rotating parts.
10. When cutting metal, be cautious of hot flying chips.
11. Do not leave the tool running unattended.
12. Do not touch the blade or the workpiece immediately after operation; they may be extremely hot and could burn your skin.
13. Before operation, make sure that there is no buried object such as electric pipe, water pipe or gas pipe in the working area. Otherwise, the band saw blade may touch them, resulting an electric shock, electrical leakage or gas leak.

SAVE THESE INSTRUCTIONS.

⚠️WARNING: DO NOT let comfort or familiarity with product (gained from repeated use) replace strict adherence to safety rules for the subject product. MISUSE or failure to follow the safety rules stated in this instruction manual may cause serious personal injury.

Important safety instructions for battery cartridge

1. Before using battery cartridge, read all instructions and cautionary markings on (1) battery charger, (2) battery, and (3) product using battery.
2. Do not disassemble or tamper with the battery cartridge. It may result in a fire, excessive heat, or explosion.
3. If operating time has become excessively shorter, stop operating immediately. It may result in a risk of overheating, possible burns and even an explosion.
4. If electrolyte gets into your eyes, rinse them out with clear water and seek medical attention right away. It may result in loss of your eyesight.
5. Do not short the battery cartridge:
 - (1) Do not touch the terminals with any conductive material.
 - (2) Avoid storing battery cartridge in a container with other metal objects such as nails, coins, etc.
 - (3) Do not expose battery cartridge to water or rain.A battery short can cause a large current flow, overheating, possible burns and even a breakdown.
6. Do not store and use the tool and battery cartridge in locations where the temperature may reach or exceed 50 °C (122 °F).
7. Do not incinerate the battery cartridge even if it is severely damaged or is completely worn out. The battery cartridge can explode in a fire.
8. Do not nail, cut, crush, throw, drop the battery cartridge, or hit against a hard object to the battery cartridge. Such conduct may result in a fire, excessive heat, or explosion.
9. Do not use a damaged battery.
10. The contained lithium-ion batteries are subject

to the Dangerous Goods Legislation requirements.

For commercial transports e.g. by third parties, forwarding agents, special requirement on packaging and labeling must be observed.

For preparation of the item being shipped, consulting an expert for hazardous material is required. Please also observe possibly more detailed national regulations.

Tape or mask off open contacts and pack up the battery in such a manner that it cannot move around in the packaging.

11. **When disposing the battery cartridge, remove it from the tool and dispose of it in a safe place. Follow your local regulations relating to disposal of battery.**
12. **Use the batteries only with the products specified by Makita.** Installing the batteries to non-compliant products may result in a fire, excessive heat, explosion, or leak of electrolyte.
13. **If the tool is not used for a long period of time, the battery must be removed from the tool.**
14. **During and after use, the battery cartridge may take on heat which can cause burns or low temperature burns. Pay attention to the handling of hot battery cartridges.**
15. **Do not touch the terminal of the tool immediately after use as it may get hot enough to cause burns.**
16. **Do not allow chips, dust, or soil stuck into the terminals, holes, and grooves of the battery cartridge.** It may cause heating, catching fire, burst and malfunction of the tool or battery cartridge, resulting in burns or personal injury.
17. **Unless the tool supports the use near high-voltage electrical power lines, do not use the battery cartridge near high-voltage electrical power lines.** It may result in a malfunction or breakdown of the tool or battery cartridge.
18. **Keep the battery away from children.**

SAVE THESE INSTRUCTIONS.

CAUTION: Only use genuine Makita batteries. Use of non-genuine Makita batteries, or batteries that have been altered, may result in the battery bursting causing fires, personal injury and damage. It will also void the Makita warranty for the Makita tool and charger.

Tips for maintaining maximum battery life

1. **Charge the battery cartridge before completely discharged. Always stop tool operation and charge the battery cartridge when you notice less tool power.**
2. **Never recharge a fully charged battery cartridge. Overcharging shortens the battery service life.**
3. **Charge the battery cartridge with room temperature at 10 °C - 40 °C (50 °F - 104 °F). Let a hot battery cartridge cool down before charging it.**
4. **When not using the battery cartridge, remove it from the tool or the charger.**

5. **Charge the battery cartridge if you do not use it for a long period (more than six months).**

FUNCTIONAL DESCRIPTION

CAUTION: Always be sure that the tool is switched off and the battery cartridge is removed before adjusting or checking function on the tool.

Installing or removing battery cartridge

CAUTION: Always switch off the tool before installing or removing of the battery cartridge.

CAUTION: Hold the tool and the battery cartridge firmly when installing or removing battery cartridge. Failure to hold the tool and the battery cartridge firmly may cause them to slip off your hands and result in damage to the tool and battery cartridge and a personal injury.

To install the battery cartridge, align the tongue on the battery cartridge with the groove in the housing and slip it into place. Insert it all the way until it locks in place with a little click. If you can see the red indicator as shown in the figure, it is not locked completely.

To remove the battery cartridge, slide it from the tool while sliding the button on the front of the cartridge.

► **Fig.1:** 1. Red indicator 2. Button 3. Battery cartridge

CAUTION: Always install the battery cartridge fully until the red indicator cannot be seen. If not, it may accidentally fall out of the tool, causing injury to you or someone around you.

CAUTION: Do not install the battery cartridge forcibly. If the cartridge does not slide in easily, it is not being inserted correctly.

Indicating the remaining battery capacity

Only for battery cartridges with the indicator

Press the check button on the battery cartridge to indicate the remaining battery capacity. The indicator lamps light up for a few seconds.

► **Fig.2:** 1. Indicator lamps 2. Check button

| Indicator lamps | | | Remaining capacity |
|-----------------|-----|----------|--------------------|
| Lighted | Off | Blinking | |
| ■ | □ | ▧ | 75% to 100% |
| ■ ■ ■ ■ | | | 50% to 75% |
| ■ ■ | □ □ | | 25% to 50% |

| Indicator lamps | | | Remaining capacity |
|-----------------|-----|----------|-------------------------------------|
| Lighted | Off | Blinking | |
| | | | 0% to 25% |
| | | | Charge the battery. |
| | | | The battery may have malfunctioned. |
| | | | |

NOTE: Depending on the conditions of use and the ambient temperature, the indication may differ slightly from the actual capacity.

NOTE: The first (far left) indicator lamp will blink when the battery protection system works.

Tool / battery protection system

The tool is equipped with a tool/battery protection system. This system automatically cuts off power to the motor to extend tool and battery life. The tool will automatically stop during operation if the tool or battery is placed under one of the following conditions:

Overload protection

When the battery is operated in a manner that causes it to draw an abnormally high current, the tool automatically stops without any indication. In this situation, turn the tool off and stop the application that caused the tool to become overloaded. Then turn the tool on to restart.

Overdischarge protection

When the battery capacity is not enough, the tool stops automatically. In this case, remove the battery from the tool and charge the battery.

Protections against other causes

Protection system is also designed for other causes that could damage the tool and allows the tool to stop automatically. Take all the following steps to clear the causes, when the tool has been brought to a temporary halt or stop in operation.

1. Turn the tool off, and then turn it on again to restart.
2. Charge the battery(ies) or replace it/them with recharged battery(ies).
3. Let the tool and battery(ies) cool down.

If no improvement can be found by restoring protection system, then contact your local Makita Service Center.

Switch action

WARNING: Before installing the battery cartridge into the tool, always check to see that the switch trigger actuates properly and returns to the "OFF" position when released.

To prevent the switch trigger from accidentally pulled,

the trigger-lock button is provided.

To start the tool, depress the trigger-lock button from A side and pull the switch trigger. Release the switch trigger to stop. After use, press in the trigger-lock button from B side.

► **Fig.3:** 1. Trigger-lock button 2. Switch trigger

Lighting up the front lamp

CAUTION: Do not look in the light or see the source of light directly.

Pull the switch trigger to light up the lamp. The lamp keeps on lighting while the switch trigger is being pulled. The lamp goes out just after the switch trigger is released.

► **Fig.4:** 1. Lamp

NOTE: Do not apply impact to the lamp, which may cause damage or shortened service time to it.

NOTE: Use a dry cloth to wipe the dirt off the lens of the lamp. Be careful not to scratch the lens of the lamp, or it may lower the illumination.

ASSEMBLY

CAUTION: Always be sure that the tool is switched off and the battery cartridge is removed before carrying out any work on the tool.

Installing or removing the band saw blade

CAUTION: Oil on the band saw blade can cause the blade to slip or come off unexpectedly. Wipe off all excess oil with a cloth before installing the band saw blade.

CAUTION: Always wear protective gloves when handling the band saw blade.

CAUTION: Use caution when handling the band saw blade to avoid cut by the sharp edge of the blade teeth.

CAUTION: Keep your body away from the band saw blade when checking the blade movement.

CAUTION: When turning the blade tightening lever clockwise to release the tension on the band saw blade, point the tool downward because the band saw blade may come off unexpectedly.

► **Fig.5:** 1. Tighten 2. Loosen 3. Blade tightening lever

To install the band saw blade:

1. Turn the blade tightening lever clockwise until it stops to loosen the wheel.
2. Match the direction of the arrows on the band saw blade and on the wheels.
3. Insert the non-serrated side of the band saw blade into the upper holder and lower holder. Make sure the band saw blade in both upper and lower holder touches

to the bottom bearings.

► **Fig.6:** 1. Lower holder 2. Upper holder 3. Bottom bearing

4. With pressing the middle part of the band saw blade, position the blade around one wheel. Moving the wheel to A side makes it easier to do so.

► **Fig.7:** 1. Wheel 2. Rubber tire

5. Position the band saw blade on another wheel similarly.

6. Position the edge of the band saw blade on rubber tire.

7. Hold the band saw blade in place and turn the blade tightening lever counterclockwise until it stops. This places proper tension on the band saw blade.

NOTICE: Make sure that the band saw blade is correctly positioned around the wheels.

NOTICE: Start and stop the tool two or three times to make sure that the band saw blade runs properly on the wheels.

To remove the band saw blade, follow the installation procedure in reverse.

Adjusting the stopper plate position

In the ordinary operation, protrude the stopper plate to the A side fully.

When the stopper plate strikes against the obstacles like a wall or the like at the finishing of a cut, loosen two bolts and slide it to the B side in the figure.

After sliding the stopper plate, secure it by tightening two bolts firmly.

► **Fig.8:** 1. Stopper plate 2. Bolts 3. Band saw blade

Installing hook

Optional accessory

CAUTION: Do not use the hook for other purpose than temporarily hanging the tool. Doing so may cause the hook come off from the tool and result in personal injury.

Hook is useful for hanging the tool. Hang the tool on a pipe vice or other suitable, stable structure.

To install the hook, set the hook alongside the groove and tighten it with two screws.

► **Fig.9:** 1. Hook 2. Screws

OPERATION

CAUTION: Always insert the battery cartridge all the way until it locks in place. If you can see the red indicator on the upper side of the button, it is not locked completely. Insert it fully until the red indicator cannot be seen. If not, it may accidentally fall out of the tool, causing injury to you or someone around you.

CAUTION: Always hold front and rear handle. Never hold the tool body or guards. Hands may slip from these locations and contact with the band saw blade. It may result in personal injury.

CAUTION: Make sure to hold the tool firmly when turning on or off the tool or when cutting. Otherwise the tool may fall and cause personal injury.

NOTE: When cutting metal, wearing gloves is recommended to protect your hands from hot flying chips.

For stable cut, always keep at least two teeth in the cut.

► **Fig.10**

Apply the band saw blade to the suitable cutting position on the workpiece as illustrated.

► **Fig.11**

1. Hold the tool with both hands as illustrated.

Before turning on the tool, always make sure that the stopper plate contacts the workpiece and the band saw blade is clear of the workpiece.

► **Fig.12**

2. Turn the tool on and wait until the band saw blade attains full speed. Gently lower the blade into the cut. The weight of the tool or slightly pressing the tool will supply adequate pressure for the cutting. Do not force the tool.

► **Fig.13**

3. As you reach the end of a cut, release pressure and lift it slightly so that it will not fall against the workpiece.

NOTICE: Applying excessive pressure to the tool or twisting of the band saw blade may cause bevel cutting or damage to the blade.

NOTICE: When not using the tool for a long period of time, remove the band saw blade from the tool.

NOTICE: If the tool is operated continuously until the battery cartridge has discharged, allow the tool to rest for 15 minutes before proceeding with a fresh battery.

Adjusting blade track

When the band saw blade tends to slip out from the wheel, adjust the blade track.

To adjust, insert the hex wrench into the adjustment hole as illustrated and make a quarter turn clockwise. After that, check if the band saw blade does not slip out. If it still slips out, make another quarter turn and check until the band saw blade does not slip out.

► **Fig.14:** 1. Hex wrench 2. Adjustment hole

Cutting lubricant

CAUTION: Never use cutting oil or apply excessive amount of wax to the band saw blade. It may cause the blade to slip or come off unexpectedly.

CAUTION: When cutting cast iron, do not use any cutting wax.

When cutting metals, use Makita cutting wax as a

cutting lubricant. To apply the cutting wax to the teeth of the band saw blade, remove a cap of the cutting wax, start the tool and cut into the cutting wax as illustrated.

► Fig.15: 1. Cutting wax

NOTICE: When opening the wheel cover, open and release both hooks simultaneously. Opening only one hook may cause crack on the wheel cover.

► Fig.16: 1. Wheel cover 2. Hook

NOTE: Some items in the list may be included in the tool package as standard accessories. They may differ from country to country.

MAINTENANCE

CAUTION: Always be sure that the tool is switched off and the battery cartridge is removed before attempting to perform inspection or maintenance.

NOTICE: Never use gasoline, benzine, thinner, alcohol or the like. Discoloration, deformation or cracks may result.

To maintain product SAFETY and RELIABILITY, repairs, any other maintenance or adjustment should be performed by Makita Authorized or Factory Service Centers, always using Makita replacement parts.

Cleaning

CAUTION: Wax and chips on the rubber tires on the wheel may cause the band saw blade to slip and come off unexpectedly. Use a dry cloth to remove wax and chips from the rubber tires.

After use, remove wax, chips and dust from the tool, rubber tires on the wheel and the band saw blade.

Replacing rubber tires on the wheels

Replace the rubber tires when the band saw blade slips or does not track properly because of badly worn tires. To replace the rubber tire, ask for the Makita Authorized or Factory Service Centers.

OPTIONAL ACCESSORIES

CAUTION: These accessories or attachments are recommended for use with your Makita tool specified in this manual. The use of any other accessories or attachments might present a risk of injury to persons. Only use accessory or attachment for its stated purpose.

If you need any assistance for more details regarding these accessories, ask your local Makita Service Center.

- Makita genuine battery and charger
- Band saw blades
- Hex wrench 4
- Cutting wax
- Hook
- Wheel cover

SPÉCIFICATIONS

| Modèle : | | DPB182 |
|--|---------------------|--------------------------|
| Capacité max. de coupe | Pièce ronde | 64 mm de diamètre |
| | Pièce rectangulaire | 64 mm x 64 mm |
| Vitesse de la lame | | 3,2 m/s (190 m/min) |
| Taille de la lame | Longueur | 835 mm |
| | Largeur | 13 mm |
| | Épaisseur | 0,5 mm |
| Dimensions (L x P x H) sans couvercle de meule | | 477 mm x 197 mm x 229 mm |
| Tension nominale | | 18 V CC |
| Poids net sans couvercle de meule | | 3,8 - 4,1 kg |

- Étant donné l'évolution constante de notre programme de recherche et de développement, les spécifications contenues dans ce manuel sont sujettes à modification sans préavis.
- Les spécifications peuvent varier suivant les pays.
- Le poids peut être différent selon le ou les accessoires, notamment la batterie. Les associations la plus légère et la plus lourde sont indiquées dans le tableau.

Batterie et chargeur applicables

| | |
|----------|---|
| Batterie | BL1815N / BL1820B / BL1830B / BL1840B / BL1850B / BL1860B |
| Chargeur | DC18RC / DC18RD / DC18RE / DC18SD / DC18SE / DC18SF / DC18SH / DC18WC |

- Certains chargeurs et batteries répertoriés ci-dessus peuvent ne pas être disponibles selon la région où vous résidez.

⚠ AVERTISSEMENT : N'utilisez que les batteries et les chargeurs répertoriés ci-dessus. L'utilisation d'autres batteries et chargeurs peut provoquer des blessures et/ou un incendie.

Utilisations

L'outil est conçu pour couper dans le plastique et les métaux ferreux.

Bruit

Niveau de bruit pondéré A typique, déterminé selon EN60745-2-20 :

Niveau de pression sonore (L_{pA}) : 79 dB (A)

Incertitude (K) : 3 dB (A)

Le niveau de bruit en fonctionnement peut dépasser 80 dB (A).

NOTE : La ou les valeurs d'émission de bruit déclarées ont été mesurées conformément à la méthode de test standard et peuvent être utilisées pour comparer les outils entre eux.

NOTE : La ou les valeurs d'émission de bruit déclarées peuvent aussi être utilisées pour l'évaluation préliminaire de l'exposition.

⚠ AVERTISSEMENT : Portez un serre-tête antibruit.

⚠ AVERTISSEMENT : L'émission de bruit lors de l'usage réel de l'outil électrique peut être différente de la ou des valeurs déclarées, suivant la façon dont l'outil est utilisé, particulièrement selon le type de pièce usinée.

⚠ AVERTISSEMENT : Les mesures de sécurité à prendre pour protéger l'utilisateur doivent être basées sur une estimation de l'exposition dans des conditions réelles d'utilisation (en tenant compte de toutes les composantes du cycle d'utilisation, comme par exemple le moment de sa mise hors tension, lorsqu'il tourne à vide et le moment de son déclenchement).

Vibrations

Valeur totale de vibrations (somme de vecteur triaxial) déterminée selon EN60745-2-20 :

Mode de travail : découpe de métal

Émission de vibrations ($a_{h,CM}$) : 2,5 m/s² ou moins

Incertitude (K) : 1,5 m/s²

NOTE : La ou les valeurs de vibration totales déclarées ont été mesurées conformément à la méthode de test standard et peuvent être utilisées pour comparer les outils entre eux.

NOTE : La ou les valeurs de vibration totales déclarées peuvent aussi être utilisées pour l'évaluation préliminaire de l'exposition.

⚠️ AVERTISSEMENT : L'émission de vibrations lors de l'usage réel de l'outil électrique peut être différente de la ou des valeurs déclarées, suivant la façon dont l'outil est utilisé, particulièrement selon le type de pièce usinée.

⚠️ AVERTISSEMENT : Les mesures de sécurité à prendre pour protéger l'utilisateur doivent être basées sur une estimation de l'exposition dans des conditions réelles d'utilisation (en tenant compte de toutes les composantes du cycle d'utilisation, comme par exemple le moment de sa mise hors tension, lorsqu'il tourne à vide et le moment de son déclenchement).

Déclarations de conformité

Pour les pays européens uniquement

Les déclarations de conformité sont fournies en Annexe A à ce mode d'emploi.

CONSIGNES DE SÉCURITÉ

Consignes de sécurité générales pour outils électriques

⚠️ AVERTISSEMENT Veuillez lire toutes les consignes de sécurité, instructions, illustrations et spécifications qui accompagnent cet outil électrique. Le non-respect de toutes les instructions indiquées ci-dessous peut entraîner une électrocution, un incendie et/ou de graves blessures.

Conservez toutes les mises en garde et instructions pour référence ultérieure.

Le terme « outil électrique » dans les avertissements fait référence à l'outil électrique alimenté par le secteur (avec cordon d'alimentation) ou à l'outil électrique fonctionnant sur batterie (sans cordon d'alimentation).

Consignes de sécurité pour scie à ruban portative sans fil

1. Tenez l'outil électrique par des surfaces de prise isolées lorsque vous effectuez une tâche au cours de laquelle l'accessoire de coupe peut entrer en contact avec des fils cachés. Le contact des accessoires de coupe avec un fil sous tension peut transmettre du courant dans les pièces métalliques exposées de l'outil électrique

et électrocuter l'utilisateur.

Consignes de sécurité supplémentaires :

2. Utilisez uniquement les lames répertoriées dans les « SPÉCIFICATIONS ».
3. Vérifiez soigneusement l'absence de fissures ou de dommages sur la lame avant l'utilisation. Remplacez immédiatement une lame fissurée ou abîmée.
4. Fixez la pièce à travailler solidement. Lors de la coupe d'un ensemble de pièces, assurez-vous que toutes les pièces sont solidement attachées ensemble avant de couper.
5. Si vous coupez des pièces recouvertes d'huile, la lame risque de se détacher brusquement. Retirez toute l'huile en excès sur les pièces avant la coupe.
6. N'utilisez jamais d'huile de coupe comme lubrifiant de coupe. Utilisez uniquement la cire de coupe Makita.
7. N'utilisez pas de gants pendant la tâche.
8. Tenez l'outil fermement à deux mains.
9. Gardez vos mains à l'écart des pièces en rotation.
10. Lors de la coupe de métal, prenez garde aux projections de copeaux brûlants.
11. N'abandonnez pas l'outil alors qu'il tourne.
12. Ne touchez ni la lame ni la pièce immédiatement après la coupe ; elles peuvent être très chaudes et vous risquez de vous brûler.
13. Avant utilisation, assurez-vous qu'aucun objet, tel qu'une conduite électrique, un tuyau d'eau ou un tuyau de gaz, n'est enterré sous la zone de travail. Sinon, la lame de scie à ruban peut entrer en contact avec un tel objet, ce qui peut entraîner une électrocution, une fuite électrique ou une fuite de gaz.

CONSERVEZ CES INSTRUCTIONS.

⚠️ AVERTISSEMENT : NE vous laissez PAS tromper (au fil d'une utilisation répétée) par un sentiment d'aisance et de familiarité avec le produit, en négligeant le respect rigoureux des consignes de sécurité qui accompagnent le produit en question. La MAUVAISE UTILISATION de l'outil ou l'ignorance des consignes de sécurité indiquées dans ce mode d'emploi peut entraîner de graves blessures.

Consignes de sécurité importantes pour la batterie

1. Avant d'utiliser la batterie, lisez toutes les instructions et précautions relatives (1) au chargeur de batterie, (2) à la batterie, et (3) au produit utilisant la batterie.
2. Ne désassemblez pas et ne modifiez pas la batterie. Cela pourrait entraîner un incendie, une chaleur excessive ou une explosion.
3. Cessez immédiatement l'utilisation si le temps de fonctionnement devient excessivement court. Il y a risque de surchauffe, de brûlures, voire d'explosion.

4. Si l'électrolyte pénètre dans vos yeux, rincez-les à l'eau claire et consultez immédiatement un médecin. Il y a risque de perte de la vue.
5. Ne court-circuitez pas la batterie :
 - (1) Ne touchez les bornes avec aucun matériau conducteur.
 - (2) Évitez de ranger la batterie dans un conteneur avec d'autres objets métalliques, par exemple des clous, des pièces de monnaie, etc.
 - (3) N'exposez pas la batterie à l'eau ou à la pluie.

Un court-circuit de la batterie peut provoquer une intensité de courant élevée, une surchauffe, parfois des brûlures et même une panne.

6. Ne rangez ni n'utilisez l'outil et la batterie dans un endroit où la température risque d'atteindre ou de dépasser 50 °C.
7. Ne jetez pas la batterie au feu même si elle est sérieusement endommagée ou complètement épuisée. La batterie peut exploser au contact du feu.
8. Abstenez-vous de clouer, couper, écraser, jeter, laisser tomber la batterie, ou de la heurter contre un objet dur. Cela pourrait entraîner un incendie, une chaleur excessive ou une explosion.
9. N'utilisez pas la batterie si elle est endommagée.
10. Les batteries au lithium-ion contenues sont soumises aux exigences de la législation sur les marchandises dangereuses.
Lors du transport commercial par des tierces parties ou des transitaires par exemple, des exigences spécifiques en matière d'étiquetage et d'emballage doivent être respectées.
Pour la préparation de l'article expédié, il est nécessaire de consulter un expert en matériau dangereux. Veuillez également respecter les réglementations nationales susceptibles d'être plus détaillées.
Recouvrez les contacts exposés avec du ruban adhésif ou du ruban de masquage et emballez la batterie de telle sorte qu'elle ne puisse pas bouger dans l'emballage.
11. Lors de la mise au rebut de la batterie, retirez-la de l'outil et jetez-la en lieu sûr. Suivez les réglementations locales en matière de mise au rebut des batteries.
12. Utilisez les batteries uniquement avec les produits spécifiés par Makita. L'insertion de batteries dans des produits non conformes peut provoquer un incendie, une chaleur excessive, une explosion ou une fuite de l'électrolyte.
13. Lorsque vous n'utilisez pas l'outil pendant une période prolongée, la batterie doit être retirée de l'outil.
14. Pendant et après l'utilisation, la batterie peut chauffer, ce qui peut entraîner des brûlures, y compris en cas de température relativement basse. Manipulez les batteries chaudes avec précaution.
15. Ne touchez pas la borne de l'outil

immédiatement après utilisation car elle peut être assez chaude pour provoquer des brûlures.

16. Évitez que des copeaux, de la poussière ou du sol adhèrent aux bornes, aux trous et aux rainures de la batterie. Cela peut provoquer un échauffement, un incendie, une explosion ou un dysfonctionnement de l'outil ou de la batterie, ce qui peut entraîner des brûlures ou des blessures.
17. À moins que l'outil prenne en charge un tel usage, n'utilisez pas la batterie à proximité de lignes électriques haute tension. Cela pourrait entraîner un dysfonctionnement ou casser l'outil ou la batterie.
18. Conservez la batterie hors de portée des enfants.

CONSERVEZ CES INSTRUCTIONS.

⚠ ATTENTION : N'utilisez que des batteries Makita d'origine. L'utilisation de batteries de marque autre que Makita ou de batteries modifiées peut provoquer l'explosion des batteries, ce qui présente un risque d'incendie, de dommages matériels et corporels. Cela annulera également la garantie Makita pour l'outil et le chargeur Makita.

Conseils pour assurer la durée de vie optimale de la batterie

1. Chargez la batterie avant qu'elle ne soit complètement déchargée. Arrêtez toujours l'outil et rechargez la batterie quand vous remarquez que la puissance de l'outil diminue.
2. Ne rechargez jamais une batterie complètement chargée. La surcharge réduit la durée de service de la batterie.
3. Chargez la batterie à une température ambiante comprise entre 10 °C et 40 °C. Avant de charger une batterie chaude, laissez-la refroidir.
4. Lorsque vous n'utilisez pas la batterie, retirez-la de l'outil ou du chargeur.
5. Rechargez la batterie si elle est restée inutilisée pendant une période prolongée (plus de six mois).

DESCRIPTION DU FONCTIONNEMENT

⚠ ATTENTION : Assurez-vous toujours que l'outil est hors tension et que sa batterie est retirée avant de l'ajuster ou de vérifier son fonctionnement.

Insertion ou retrait de la batterie

⚠ ATTENTION : Éteignez toujours l'outil avant de mettre en place ou de retirer la batterie.

⚠ ATTENTION : Tenez fermement l'outil et la batterie lors de la mise en place ou du retrait de la batterie. Si vous ne tenez pas fermement l'outil et la batterie, ils peuvent vous glisser des mains, et s'abîmer ou vous blesser.

Pour mettre la batterie en place, alignez la languette de la batterie avec la rainure du compartiment puis insérez la batterie. Insérez-la entièrement jusqu'à entendre un léger déclic indiquant qu'elle est bien en place. Si vous pouvez voir l'indicateur rouge comme illustré sur la figure, c'est qu'elle n'est pas bien verrouillée.

Pour retirer la batterie, faites-la glisser hors de l'outil tout en faisant glisser le bouton à l'avant de la batterie.

► **Fig.1:** 1. Indicateur rouge 2. Bouton 3. Batterie

⚠ ATTENTION : Insérez toujours complètement la batterie jusqu'à ce que l'indicateur rouge ne soit plus visible. Sinon, elle pourrait tomber accidentellement de l'outil, au risque de vous blesser ou de blesser quelqu'un se trouvant près de vous.

⚠ ATTENTION : N'insérez pas la batterie de force. Si elle ne glisse pas facilement, c'est que vous ne l'insérez pas correctement.

Indication de la charge restante de la batterie

Uniquement pour les batteries avec voyant lumineux

Appuyez sur le bouton de vérification sur la batterie pour indiquer la charge restante de la batterie. Les témoins s'allument pendant quelques secondes.

► **Fig.2:** 1. Témoins 2. Bouton de vérification

| Témoins | | | Charge restante |
|---------|--------|------------|-----------------------------------|
| Allumé | Éteint | Clignotant | |
| ■ | □ | ◻ | 75 % à 100 % |
| ■ ■ ■ ■ | | | |
| ■ ■ ■ | □ | | 50 % à 75 % |
| ■ ■ | □ □ | | 25 % à 50 % |
| ■ | □ □ □ | | 0 % à 25 % |
| ◻ | □ □ □ | | Chargez la batterie. |
| ■ ■ □ □ | □ □ | | Anomalie possible de la batterie. |
| □ □ ■ ■ | | | |

NOTE : Selon les conditions d'utilisation et la température ambiante, l'indication peut être légèrement différente de la capacité réelle.

NOTE : Le premier témoin (complètement à gauche) clignotera pendant le fonctionnement du système de protection de la batterie.

Système de protection de l'outil/la batterie

L'outil est équipé d'un système de protection de l'outil/la batterie. Ce système coupe automatiquement l'alimentation vers le moteur pour prolonger la durée de vie de l'outil et de la batterie. Si l'outil ou la batterie se trouve dans l'une des situations suivantes, l'outil cessera automatiquement de fonctionner.

Protection contre la surcharge

Lorsque la batterie est utilisée d'une manière provoquant un appel de courant anormalement élevé, l'outil s'arrête automatiquement sans indication. Dans ce cas, éteignez l'outil et arrêtez la tâche ayant provoqué la surcharge de l'outil. Puis rallumez l'outil pour reprendre la tâche.

Protection contre la décharge totale de la batterie

Lorsque la charge de la batterie est insuffisante, l'outil s'arrête automatiquement. Dans ce cas, retirez la batterie de l'outil et chargez-la.

Protections contre d'autres causes

Le système de protection est également conçu pour d'autres causes qui pourraient endommager l'outil et lui permet de s'arrêter automatiquement. Suivez toutes les étapes ci-dessous pour éliminer les causes, lorsque l'outil a été arrêté provisoirement ou a cessé de fonctionner.

1. Éteignez l'outil, puis rallumez-le pour le redémarrer.
2. Chargez la ou les batteries ou remplacez-les par des batteries rechargées.
3. Laissez l'outil et la ou les batteries refroidir.

En l'absence d'amélioration après avoir rétabli le système de protection, contactez votre centre de service Makita local.

Fonctionnement de la gâchette

⚠ AVERTISSEMENT : Avant d'insérer la batterie dans l'outil, vérifiez toujours que la gâchette fonctionne bien et revient en position d'arrêt lorsque vous la relâchez.

Pour éviter tout déclenchement accidentel de la gâchette, l'outil est muni d'un bouton de verrouillage de la gâchette.

Pour démarrer l'outil, appuyez sur le côté A du bouton de verrouillage de la gâchette et enclenchez la gâchette. Pour arrêter l'outil, relâchez la gâchette. Après utilisation, appuyez sur le côté B du bouton de verrouillage de la gâchette.

- **Fig.3:** 1. Bouton de verrouillage de la gâchette
2. Gâchette

Allumage de la lampe avant

⚠ ATTENTION : Évitez de regarder directement le faisceau lumineux ou sa source.

Enclenchez la gâchette pour allumer la lampe. La lampe reste allumée tant que la gâchette est enclenchée. La lampe s'éteint juste après que vous relâchez la gâchette.

- **Fig.4:** 1. Lampe

NOTE : N'exercez aucun impact sur la lampe sous peine de l'endommager ou de réduire sa durée de service.

NOTE : Retirez la saleté sur la lentille de la lampe avec un chiffon sec. Prenez soin de ne pas érafler la lentille de la lampe sous peine de diminuer son éclairage.

ASSEMBLAGE

⚠ ATTENTION : Assurez-vous toujours que l'outil est hors tension et que sa batterie est retirée avant d'effectuer toute tâche dessus.

Pose ou dépose de la lame de scie à ruban

⚠ ATTENTION : De l'huile sur la lame de scie à ruban peut la faire glisser ou se détacher brusquement. Retirez toute l'huile en excès avec un chiffon avant d'installer la lame de scie à ruban.

⚠ ATTENTION : Portez toujours des gants de protection pour manipuler la lame de scie à ruban.

⚠ ATTENTION : Soyez prudent lorsque vous manipulez la lame de scie à ruban pour éviter de vous couper avec le bord tranchant des dents de la lame.

⚠ ATTENTION : Éloignez la lame de scie à ruban de votre corps lorsque vous vérifiez le mouvement de la lame.

⚠ ATTENTION : Lorsque vous tournez le levier de serrage de la lame dans le sens des aiguilles d'une montre pour relâcher la tension de la lame de scie à ruban, dirigez l'outil vers le bas, car la lame de scie à ruban peut se détacher brusquement.

- **Fig.5:** 1. Serrer 2. Desserrer 3. Levier de serrage de la lame

Pour installer la lame de scie à ruban :

1. Tournez le levier de serrage de la lame dans le sens des aiguilles d'une montre jusqu'à ce qu'il s'arrête pour desserrer la meule.
2. Faites correspondre le sens des flèches sur la lame de scie à ruban et sur les meules.

3. Insérez la partie non dentelée de la lame de scie à ruban dans le support supérieur et le support inférieur. Assurez-vous que la lame de scie à ruban dans le support supérieur et inférieur entre en contact avec les roulements inférieurs.

- **Fig.6:** 1. Support inférieur 2. Support supérieur
3. Roulement inférieur

4. Tout en appuyant au milieu de la lame de scie à ruban, placez la lame autour d'une meule. Il est plus facile de procéder en déplaçant la meule vers le côté A.

- **Fig.7:** 1. Meule 2. Bandage en caoutchouc

5. Placez la lame de scie à ruban sur l'autre meule de la même façon.

6. Placez le bord de la lame de scie à ruban sur le bandage en caoutchouc.

7. Tenez la lame de scie à ruban en place et tournez le levier de serrage de la lame dans le sens inverse des aiguilles d'une montre jusqu'à ce qu'il s'arrête. Cela permet d'exercer une tension adéquate sur la lame de scie à ruban.

REMARQUE : Assurez-vous que la lame de scie à ruban est correctement placée autour des meules.

REMARQUE : Démarrez et arrêtez l'outil deux ou trois fois pour vous assurer que la lame de scie à ruban tourne correctement sur les meules.

Pour retirer la lame de scie à ruban, suivez la procédure d'installation dans le sens inverse.

Réglage de la position de la plaque de butée

Pour un fonctionnement normal, faites sortir complètement la plaque de butée vers le côté A.

Lorsque la plaque de butée frappe contre un obstacle comme un mur ou similaire à la fin d'une coupe, desserrez les deux boulons et faites-la glisser vers le côté B sur la figure.

Après avoir fait glisser la plaque de butée, fixez-la en place en serrant solidement les deux boulons.

- **Fig.8:** 1. Plaque de butée 2. Boulons 3. Lame de scie à ruban

Installation du crochet

Accessoire en option

⚠ ATTENTION : N'utilisez pas le crochet à toute autre fin que la suspension provisoire de l'outil. Autrement, le crochet pourrait se détacher de l'outil et vous blesser.

Le crochet se révèle pratique pour suspendre l'outil. Accrochez l'outil à un étau à tubes ou une autre structure stable appropriée.

Pour installer le crochet, placez-le le long de la rainure et serrez-le avec deux vis.

- **Fig.9:** 1. Crochet 2. Vis

UTILISATION

⚠ ATTENTION : Insérez toujours la batterie à fond jusqu'à ce qu'elle se verrouille en place. Si le voyant rouge sur le dessus du bouton est visible, cela signifie qu'elle n'est pas bien verrouillée. Insérez-la complètement jusqu'à ce que le voyant rouge ne soit plus visible. Sinon, elle pourrait tomber accidentellement de l'outil, au risque de vous blesser ou de blesser quelqu'un se trouvant près de vous.

⚠ ATTENTION : Tenez toujours la poignée avant et arrière. Ne tenez jamais le corps de l'outil ou les carters de protection. Vos mains peuvent glisser de ces emplacements et entrer en contact avec la lame de scie à bande. Ce qui peut entraîner des blessures corporelles.

⚠ ATTENTION : Veillez à tenir fermement l'outil lorsque vous l'allumez ou l'éteignez, ou pendant la coupe. Autrement, l'outil pourrait tomber et vous blesser.

NOTE : Lors de la coupe de métal, il est recommandé de porter des gants afin de protéger vos mains des projections de copeaux brûlants.

Pour une coupe stable, conservez toujours au moins deux dents dans la coupe.

► Fig.10

Appliquez la lame de scie à ruban sur la position de coupe appropriée sur la pièce, comme illustré.

► Fig.11

1. Tenez l'outil des deux mains comme illustré.

Avant d'allumer l'outil, assurez-vous toujours que la plaque de butée entre en contact avec la pièce et que la lame de scie à ruban est éloignée de la pièce.

► Fig.12

2. Mettez l'outil sous tension et attendez que la lame de scie à ruban atteigne sa pleine vitesse. Abaissez délicatement la lame dans la coupe. Le poids de l'outil ou une légère pression sur l'outil fournira une pression suffisante pour la coupe. Ne forcez pas l'outil.

► Fig.13

3. Une fois que vous avez atteint la fin d'une coupe, relâchez la pression et soulevez-le légèrement pour qu'il ne retombe pas sur la pièce.

REMARQUE : Si vous exercez une pression excessive sur l'outil ou tordez la lame de scie à ruban, vous risquez de faire une coupe en biseau ou d'endommager la lame.

REMARQUE : Lorsque vous n'utilisez pas l'outil pendant une période prolongée, retirez la lame de scie à ruban de l'outil.

REMARQUE : Si l'outil est utilisé de manière continue jusqu'à ce que la batterie se décharge, laissez-le reposer 15 minutes avant de poursuivre le travail avec une batterie chargée.

Réglage de la voie de la lame

Lorsque la lame de scie à ruban a tendance à glisser de la meule, ajustez la voie de la lame.

Pour régler, insérez la clé hexagonale dans le trou de réglage comme illustré et effectuez un quart de tour dans le sens des aiguilles d'une montre. Après cela, vérifiez si la lame de scie à ruban ne s'échappe pas. Si elle s'échappe encore, faites un autre quart de tour et vérifiez jusqu'à ce que la lame de scie à ruban ne s'échappe plus.

► Fig.14: 1. Clé hexagonale 2. Trou de réglage

Lubrifiant de coupe

⚠ ATTENTION : N'utilisez jamais d'huile de coupe, ni n'appliquez une quantité excessive de cire sur la lame de scie à ruban. Cela pourrait faire glisser ou se détacher la lame brusquement.

⚠ ATTENTION : Lors de la coupe de fonte, n'utilisez aucun type de cire de coupe.

Lors de la coupe de métaux, utilisez la cire de coupe Makita comme lubrifiant de coupe. Pour appliquer la cire de coupe sur les dents de la lame de scie à ruban, retirez le bouchon de la cire de coupe, démarrez l'outil et coupez dans la cire de coupe comme illustré.

► Fig.15: 1. Cire de coupe

ENTRETIEN

⚠ ATTENTION : Assurez-vous toujours que l'outil est hors tension et que la batterie est retirée avant d'y effectuer tout travail d'inspection ou d'entretien.

REMARQUE : N'utilisez jamais d'essence, benzine, diluant, alcool ou autre produit similaire. Cela risquerait de provoquer la décoloration, la déformation ou la fissuration de l'outil.

Pour assurer la SÉCURITÉ et la FIABILITÉ du produit, toute réparation, tout travail d'entretien ou de réglage doivent être effectués par un centre d'entretien Makita agréé, avec des pièces de rechange Makita.

Nettoyage

⚠ ATTENTION : De la cire et des copeaux sur les bandages en caoutchouc sur la meule peuvent faire glisser ou se détacher brusquement la lame de scie à ruban. Utilisez un chiffon sec pour retirer la cire et les copeaux des bandages en caoutchouc.

Après utilisation, retirez la cire, les copeaux et la poussière de l'outil, des bandages en caoutchouc sur la meule et de la lame de scie à ruban.

Remplacement des bandages en caoutchouc sur les meules

Remplacez les bandages en caoutchouc lorsque la lame de scie à ruban glisse ou n'avance pas correctement en raison de l'usure importante des bandages. Pour remplacer le bandage en caoutchouc, contactez un centre de service après-vente Makita agréé ou un centre de service usine.

ACCESSOIRES EN OPTION

⚠ ATTENTION : Ces accessoires ou pièces complémentaires sont recommandés pour l'utilisation avec l'outil Makita spécifié dans ce mode d'emploi. L'utilisation de tout autre accessoire ou pièce complémentaire peut comporter un risque de blessure. N'utilisez les accessoires ou pièces complémentaires qu'aux fins auxquelles ils ont été conçus.

Pour obtenir plus de détails sur ces accessoires, contactez votre centre d'entretien local Makita.

- Batterie et chargeur Makita d'origine
- Lames de scie à ruban
- Clé hexagonale 4
- Cire de coupe
- Crochet
- Couvercle de meule

REMARQUE : Pour ouvrir le couvercle de meule, ouvrez et relâchez les deux crochets en même temps. L'ouverture d'un seul crochet peut fissurer le couvercle de meule.

► Fig.16: 1. Couvercle de meule 2. Crochet

NOTE : Il se peut que certains éléments de la liste soient compris dans l'emballage de l'outil en tant qu'accessoires standard. Ils peuvent varier d'un pays à l'autre.

TECHNISCHE DATEN

| | | |
|---|------------------------|--------------------------|
| Modell: | | DPB182 |
| Max. Schnittleistung | Rundes Werkstück | 64 mm Durchmesser |
| | Rechteckiges Werkstück | 64 mm x 64 mm |
| Sägeblattgeschwindigkeit | | 3,2 m/s (190 mm/min) |
| Sägeblattgröße | Länge | 835 mm |
| | Breite | 13 mm |
| | Dicke | 0,5 mm |
| Abmessungen (L x B x H) ohne Radabdeckung | | 477 mm x 197 mm x 229 mm |
| Nennspannung | | 18 V Gleichstrom |
| Nettogewicht ohne Radabdeckung | | 3,8 - 4,1 kg |

- Wir behalten uns vor, Änderungen der technischen Daten im Zuge der Entwicklung und des technischen Fortschritts ohne vorherige Ankündigung vorzunehmen.
- Die technischen Daten können von Land zu Land unterschiedlich sein.
- Das Gewicht kann abhängig von dem Aufsatz (den Aufsätzen), einschließlich des Akkus, unterschiedlich sein. Die leichteste und die schwerste Kombination sind in der Tabelle angegeben.

Zutreffende Akkus und Ladegeräte

| | |
|-----------|---|
| Akku | BL1815N / BL1820B / BL1830B / BL1840B / BL1850B / BL1860B |
| Ladegerät | DC18RC / DC18RD / DC18RE / DC18SD / DC18SE / DC18SF / DC18SH / DC18WC |

- Einige der oben aufgelisteten Akkus und Ladegeräte sind je nach Ihrem Wohngebiet eventuell nicht erhältlich.

⚠️ WARNUNG: Verwenden Sie nur die oben aufgeführten Akkus und Ladegeräte. Bei Verwendung irgendwelcher anderer Akkus und Ladegeräte besteht Verletzungs- und/oder Brandgefahr.

Vorgesehene Verwendung

Dieses Werkzeug ist für das Sägen von Kunststoff und Eisenmaterial vorgesehen.

Geräusch

Typischer A-bewerteter Geräuschpegel ermittelt gemäß EN60745-2-20:

Schalldruckpegel (L_{pA}): 79 dB (A)

Messunsicherheit (K): 3 dB (A)

Der Geräuschpegel kann während des Betriebs 80 dB (A) überschreiten.

HINWEIS: Der (Die) angegebene(n) Schallemissionswert(e) wurde(n) im Einklang mit der Standardprüfmethode gemessen und kann (können) für den Vergleich zwischen Werkzeugen herangezogen werden.

HINWEIS: Der (Die) angegebene(n) Schallemissionswert(e) kann (können) auch für eine Vorbewertung des Gefährdungsgrads verwendet werden.

⚠️ WARNUNG: Einen Gehörschutz tragen.

⚠️ WARNUNG: Die Schallemission während der tatsächlichen Benutzung des Elektrowerkzeugs kann je nach der Benutzungsweise des Werkzeugs, und speziell je nach der Art des bearbeiteten Werkstücks, von dem (den) angegebenen Wert(en) abweichen.

⚠️ WARNUNG: Identifizieren Sie Sicherheitsmaßnahmen zum Schutz des Benutzers anhand einer Schätzung des Gefährdungsgrads unter den tatsächlichen Benutzungsbedingungen (unter Berücksichtigung aller Phasen des Arbeitszyklus, wie z. B. Ausschalt- und Leerlaufzeiten des Werkzeugs zusätzlich zur Betriebszeit).

Schwingungen

Schwingungsgesamtwert (Drei-Achsen-Vektorsumme) ermittelt gemäß EN60745-2-20:

Arbeitsmodus: Schneiden von Metall

Schwingungsemission ($a_{h,CM}$): 2,5 m/s² oder weniger

Messunsicherheit (K): 1,5 m/s²

HINWEIS: Der (Die) angegebene(n) Vibrationsgesamtwert(e) wurde(n) im Einklang mit der Standardprüfmethode gemessen und kann (können) für den Vergleich zwischen Werkzeugen herangezogen werden.

HINWEIS: Der (Die) angegebene(n) Vibrationsgesamtwert(e) kann (können) auch für eine Vorbewertung des Gefährdungsgrads verwendet werden.

⚠️ WARNUNG: Die Vibrationsemission während der tatsächlichen Benutzung des Elektrowerkzeugs kann je nach der Benutzungsweise des Werkzeugs, und speziell je nach der Art des bearbeiteten Werkstücks, von dem (den) angegebenen Emissionswert(en) abweichen.

⚠️ WARNUNG: Identifizieren Sie Sicherheitsmaßnahmen zum Schutz des Benutzers anhand einer Schätzung des Gefährdungsgrads unter den tatsächlichen Benutzungsbedingungen (unter Berücksichtigung aller Phasen des Arbeitszyklus, wie z. B. Ausschalt- und Leerlaufzeiten des Werkzeugs zusätzlich zur Betriebszeit).

Konformitätserklärungen

Nur für europäische Länder

Die Konformitätserklärungen sind in Anhang A dieser Betriebsanleitung enthalten.

SICHERHEITSWARNUNGEN

Allgemeine Sicherheitswarnungen für Elektrowerkzeuge

⚠️ WARNUNG Lesen Sie alle Sicherheitshinweise, Anweisungen, Abbildungen und Spezifikationen, die diesem Elektrowerkzeug beiliegen. Eine Missachtung der unten aufgeführten Anweisungen kann zu einem elektrischen Schlag, Brand und/oder schweren Verletzungen führen.

Bewahren Sie alle Warnungen und Anweisungen für spätere Bezugnahme auf.

Der Ausdruck „Elektrowerkzeug“ in den Warnhinweisen bezieht sich auf Ihr mit Netzstrom (mit Kabel) oder Akku (ohne Kabel) betriebenes Elektrowerkzeug.

Sicherheitswarnungen für Akku-Bandsäge

1. Halten Sie das Elektrowerkzeug an den isolierten Griffflächen, wenn Sie Arbeiten ausführen, bei denen die Gefahr besteht, dass das Schneidzubehör verborgene Kabel kontaktiert.

Wenn das Schneidzubehör ein Strom führendes Kabel kontaktiert, können die freiliegenden Metallteile des Elektrowerkzeugs ebenfalls Strom führend werden, so dass der Benutzer einen elektrischen Schlag erleiden kann.

Zusätzliche Sicherheitswarnungen:

2. Verwenden Sie nur Sägeblätter, die in „TECHNISCHE DATEN“ aufgeführt sind.
3. Überprüfen Sie das Sägeblatt vor dem Betrieb sorgfältig auf Risse oder Beschädigung. Wechseln Sie ein gerissenes oder beschädigtes Sägeblatt unverzüglich aus.
4. Spannen Sie das Werkstück sicher ein. Wenn Sie mehrere Werkstücklagen schneiden, stellen Sie sicher, dass alle Werkstücke fest zusammengehalten werden, bevor Sie mit dem Schneiden beginnen.
5. Das Schneiden von ölbedeckten Werkstücken kann zu plötzlichem Lösen des Sägeblatts führen. Wischen Sie überschüssiges Öl auf den Werkstücken vor dem Schneiden restlos ab.
6. Verwenden Sie niemals Schneidöl als Schneidschmiermittel. Verwenden Sie nur Makita-Schneidwachs.
7. Tragen Sie keine Handschuhe während der Arbeit.
8. Halten Sie das Werkzeug mit beiden Händen fest.
9. Halten Sie Ihre Hände von rotierenden Teilen fern.
10. Achten Sie beim Schneiden von Metall auf herausgeschleuderte heiße Späne.
11. Lassen Sie das Werkzeug nicht unbeaufsichtigt laufen.
12. Vermeiden Sie eine Berührung des Sägeblatts oder des Werkstücks unmittelbar nach der Bearbeitung, weil sie dann möglicherweise noch sehr heiß sind und Hautverbrennungen verursachen können.
13. Vergewissern Sie sich vor der Arbeit, dass sich keine verborgenen Objekte, wie etwa eine elektrische Leitung, ein Wasserrohr oder ein Gasrohr, im Arbeitsbereich befinden. Anderenfalls kann das Bandsägeblatt damit in Berührung kommen und einen elektrischen Schlag, einen Leckstrom oder ein Gasleck verursachen.

BEWAHREN SIE DIESE ANLEITUNG AUF.

⚠️ WARNUNG: Lassen Sie sich NICHT durch Bequemlichkeit oder Vertrautheit mit dem Produkt (durch wiederholten Gebrauch erworben) von der strikten Einhaltung der Sicherheitsregeln für das vorliegende Produkt abhalten. MISSBRAUCH oder Missachtung der Sicherheitsvorschriften in dieser Anleitung können schwere Personenschäden verursachen.

Wichtige Sicherheitsanweisungen für Akku

1. **Lesen Sie vor der Benutzung des Akkus alle Anweisungen und Warnhinweise, die an (1) Ladegerät, (2) Akku und (3) Akkuwerkzeug angebracht sind.**
2. **Unterlassen Sie Zerlegen oder Manipulieren des Akkus.** Es kann sonst zu einem Brand, übermäßiger Hitzeentwicklung oder einer Explosion kommen.
3. **Falls die Betriebszeit beträchtlich kürzer geworden ist, stellen Sie den Betrieb sofort ein.** Anderenfalls besteht die Gefahr von Überhitzung, möglichen Verbrennungen und sogar einer Explosion.
4. **Falls Elektrolyt in Ihre Augen gelangt, waschen Sie sie mit sauberem Wasser aus, und begeben Sie sich unverzüglich in ärztliche Behandlung.** Anderenfalls können Sie Ihre Sehkraft verlieren.
5. **Der Akku darf nicht kurzgeschlossen werden:**
 - (1) **Die Kontakte dürfen nicht mit leitfähigem Material berührt werden.**
 - (2) **Lagern Sie den Akku nicht in einem Behälter zusammen mit anderen Metallgegenständen, wie z. B. Nägel, Münzen usw.**
 - (3) **Setzen Sie den Akku weder Wasser noch Regen aus.**

Ein Kurzschluss des Akkus verursacht starken Stromfluss, der Überhitzung, mögliche Verbrennungen und einen Defekt zur Folge haben kann.
6. **Lagern und benutzen Sie das Werkzeug und den Akku nicht an Orten, an denen die Temperatur 50 °C erreichen oder überschreiten kann.**
7. **Versuchen Sie niemals, den Akku zu verbrennen, selbst wenn er stark beschädigt oder vollkommen verbraucht ist.** Der Akku kann im Feuer explodieren.
8. **Unterlassen Sie Nageln, Schneiden, Zerquetschen, Werfen, Fallenlassen des Akkus oder Schlagen des Akkus mit einem harten Gegenstand.** Eine solche Handlung kann zu einem Brand, übermäßiger Hitzeentwicklung oder einer Explosion führen.
9. **Benutzen Sie keine beschädigten Akkus.**
10. **Die enthaltenen Lithium-Ionen-Akkus unterliegen den Anforderungen der Gefahrgut-Gesetzgebung.**

Für kommerzielle Transporte, z. B. durch Dritte oder Spediteure, müssen besondere Anforderungen zu Verpackung und Etikettierung beachtet werden.

Zur Vorbereitung des zu transportierenden Artikels ist eine Beratung durch einen Experten für Gefahrgut erforderlich. Bitte beachten Sie möglicherweise ausführlichere nationale Vorschriften. Überkleben oder verdecken Sie offene Kontakte, und verpacken Sie den Akku so, dass er sich in der Verpackung nicht umher bewegen kann.
11. **Entfernen Sie den Akku zum Entsorgen vom Werkzeug, und entsorgen Sie ihn an einem sicheren Ort.** Befolgen Sie die örtlichen Vorschriften bezüglich der Entsorgung von Akkus.
12. **Verwenden Sie die Akkus nur mit den von Makita angegebenen Produkten.** Das Einsetzen der Akkus in nicht konforme Produkte kann zu einem Brand, übermäßiger Hitzebildung, einer Explosion oder Auslaufen von Elektrolyt führen.
13. **Soll das Werkzeug längere Zeit nicht benutzt werden, muss der Akku vom Werkzeug entfernt werden.**
14. **Bei und nach dem Gebrauch kann der Akku heiß werden, was Verbrennungen oder Niedertemperaturverbrennungen verursachen kann.** Beachten Sie die Handhabung von heißen Akkus.
15. **Berühren Sie nicht den Anschlusskontakt des Werkzeugs unmittelbar nach dem Gebrauch, da er heiß genug werden kann, um Verbrennungen zu verursachen.**
16. **Achten Sie darauf, dass sich keine Späne, Staub oder Schmutz in den Anschlusskontakten, Löchern und Nuten des Akkus absetzen.** Es könnte sonst zu Erhitzung, Brandauslösung, Bersten und Funktionsstörungen des Werkzeugs oder des Akkus kommen, was zu Verbrennungen oder Personenschäden führen kann.
17. **Wenn das Werkzeug den Einsatz in der Nähe einer Hochspannungs-Stromleitung nicht unterstützt, benutzen Sie den Akku nicht in der Nähe einer Hochspannungs-Stromleitung.** Dies kann zu einer Funktionsstörung oder Betriebsstörung des Werkzeugs oder des Akkus führen.
18. **Halten Sie die Batterie von Kindern fern.**

DIESE ANWEISUNGEN AUFBEWAHREN.

⚠ VORSICHT: Verwenden Sie nur Original-Makita-Akkus. Die Verwendung von Nicht-Original-Makita-Akkus oder von Akkus, die abgeändert worden sind, kann zum Bersten des Akkus und daraus resultierenden Bränden, Personenschäden und Beschädigung führen. Außerdem wird dadurch die Makita-Garantie für das Makita-Werkzeug und -Ladegerät ungültig.

Hinweise zur Aufrechterhaltung der maximalen Akku-Nutzungsdauer

1. **Laden Sie den Akku, bevor er vollkommen erschöpft ist.** Schalten Sie das Werkzeug stets aus, und laden Sie den Akku, wenn Sie ein Nachlassen der Werkzeugleistung feststellen.
2. **Unterlassen Sie erneutes Laden eines voll aufgeladenen Akkus.** Überladen führt zu einer Verkürzung der Nutzungsdauer des Akkus.
3. **Laden Sie den Akku bei Raumtemperatur zwischen 10 – 40 °C.** Lassen Sie einen heißen Akku abkühlen, bevor Sie ihn laden.
4. **Wenn Sie den Akku nicht benutzen, nehmen**

5. Sie ihn vom Werkzeug oder Ladegerät ab.
Der Akku muss geladen werden, wenn er lange Zeit (länger als sechs Monate) nicht benutzt wird.

FUNKTIONSBE-SCHREIBUNG

⚠ VORSICHT: Vergewissern Sie sich vor der Durchführung von Einstellungen oder Funktionsprüfungen des Werkzeugs stets, dass das Werkzeug ausgeschaltet und der Akku abgenommen ist.

Anbringen und Abnehmen des Akkus

⚠ VORSICHT: Schalten Sie das Werkzeug stets aus, bevor Sie den Akku anbringen oder abnehmen.

⚠ VORSICHT: Halten Sie das Werkzeug und den Akku beim Anbringen oder Abnehmen des Akkus sicher fest. Wenn Sie das Werkzeug und den Akku nicht sicher festhalten, können sie Ihnen aus der Hand rutschen, was zu einer Beschädigung des Werkzeugs und des Akkus und zu Körperverletzungen führen kann.

Richten Sie zum Anbringen des Akkus dessen Führungsfeder auf die Nut im Gehäuse aus, und schieben Sie den Akku hinein. Schieben Sie ihn vollständig ein, bis er mit einem leisen Klicken einrastet. Wenn Sie die rote Anzeige sehen können, wie in der Abbildung gezeigt, ist der Akku nicht vollständig verriegelt.

Ziehen Sie den Akku zum Abnehmen vom Werkzeug ab, während Sie den Knopf an der Vorderseite des Akkus verschieben.

► **Abb.1:** 1. Rote Anzeige 2. Knopf 3. Akku

⚠ VORSICHT: Schieben Sie den Akku stets bis zum Anschlag ein, bis die rote Anzeige nicht mehr sichtbar ist. Anderenfalls kann er aus dem Werkzeug herausfallen und Sie oder umstehende Personen verletzen.


















⚠ VORSICHT: Unterlassen Sie Gewaltanwendung beim Anbringen des Akkus. Falls der Akku nicht reibungslos hineingleitet, ist er nicht richtig ausgerichtet.

Anzeigen der Akku-Restkapazität

Nur für Akkus mit Anzeige

Drücken Sie die Prüftaste am Akku, um die Akku-Restkapazität anzuzeigen. Die Anzeigelampen leuchten wenige Sekunden lang auf.

► **Abb.2:** 1. Anzeigelampen 2. Prüftaste

| Anzeigelampen | | | Restkapazität |
|---|--|---|---|
|  Erleuchtet |  Aus |  Blinkend | |
|  | | | 75% bis 100% |
|  |  | | 50% bis 75% |
|  |  | | 25% bis 50% |
|  |  | | 0% bis 25% |
|  |  | | Den Akku aufladen. |
|  |  | | Möglicherweise liegt eine Funktionsstörung im Akku vor. |
|  |  |  | |

HINWEIS: Abhängig von den Benutzungsbedingungen und der Umgebungstemperatur kann die Anzeige geringfügig von der tatsächlichen Kapazität abweichen.

HINWEIS: Die erste (äußerste linke) Anzeigelampe blinkt, wenn das Akku-Schutzsystem aktiv ist.

Werkzeug/Akku-Schutzsystem

Das Werkzeug ist mit einem Werkzeug/Akku-Schutzsystem ausgestattet. Dieses System schaltet die Stromversorgung des Motors automatisch ab, um die Lebensdauer von Werkzeug und Akku zu verlängern. Das Werkzeug bleibt während des Betriebs automatisch stehen, wenn das Werkzeug oder der Akku einer der folgenden Bedingungen unterliegt:

Überlastschutz

Wird der Akku auf eine Weise benutzt, die eine ungewöhnlich hohe Stromaufnahme bewirkt, bleibt das Werkzeug ohne jegliche Anzeige automatisch stehen. Schalten Sie in dieser Situation das Werkzeug aus, und brechen Sie die Arbeit ab, die eine Überlastung des Werkzeugs verursacht hat. Schalten Sie dann das Werkzeug wieder ein, um es neu zu starten.

Überentladungsschutz

Wenn die Akkukapazität unzureichend wird, bleibt das Werkzeug automatisch stehen. Nehmen Sie in diesem Fall den Akku vom Werkzeug ab, und laden Sie ihn auf.

Schutz gegen andere Ursachen

Das Schutzsystem ist auch für andere Ursachen ausgelegt, die eine Beschädigung des Werkzeugs bewirken könnten, und lässt das Werkzeug automatisch anhalten. Ergreifen Sie alle folgenden Maßnahmen, um die Ursachen zu beseitigen, wenn das Werkzeug vorübergehend zum Stillstand gekommen ist oder im Betrieb stehen geblieben ist.

1. Schalten Sie das Werkzeug aus und dann wieder ein, um es neu zu starten.
2. Laden Sie den/die Akku(s) auf oder tauschen Sie

ihn/sie durch einen aufgeladenen Akku/aufgeladene Akkus aus.

3. Lassen Sie das Werkzeug und den/die Akku(s) abkühlen.

Falls durch die Wiederherstellung des Schutzsystems keine Besserung eintritt, wenden Sie sich an Ihre lokale Makita-Kundendienststelle.

Schalterfunktion

⚠️ WARNUNG: Vergewissern Sie sich vor dem Einsetzen des Akkus in das Werkzeug stets, dass der Ein-Aus-Schalter ordnungsgemäß funktioniert und beim Loslassen in die AUS-Stellung zurückkehrt.

Um versehentliche Betätigung des Auslöseschalters zu verhüten, ist das Werkzeug mit einem Auslöserspercknopf ausgestattet.

Um das Werkzeug zu starten, drücken Sie den Auslöserspercknopf auf der Seite A hinein, und betätigen Sie den Auslöseschalter. Zum Anhalten lassen Sie den Auslöseschalter los. Drücken Sie den Auslöserspercknopf nach der Benutzung auf der Seite B hinein.

► **Abb.3:** 1. Auslöserspercknopf 2. Auslöseschalter

Einschalten der Frontlampe

⚠️ VORSICHT: Blicken Sie nicht direkt in die Lampe oder die Lichtquelle.

Betätigen Sie den Ein-Aus-Schalter, um die Lampe einzuschalten. Die Lampe bleibt erleuchtet, solange der Ein-Aus-Schalter gedrückt gehalten wird. Die Lampe erlischt unmittelbar nach dem Loslassen des Ein-Aus-Schalters.

► **Abb.4:** 1. Lampe

HINWEIS: Setzen Sie die Lampe keinen Erschütterungen aus, weil sie sonst beschädigt werden oder ihre Lebensdauer sich verkürzen kann.

HINWEIS: Wischen Sie Schmutz auf der Lampenlinse mit einem trockenen Tuch ab. Achten Sie sorgfältig darauf, dass Sie die Lampenlinse nicht verkratzen, weil sich sonst die Lichtstärke verringert.

MONTAGE

⚠️ VORSICHT: Vergewissern Sie sich vor der Ausführung von Arbeiten am Werkzeug stets, dass das Werkzeug ausgeschaltet und der Akku abgenommen ist.

Montieren und Demontieren des Bandsägeblatts

⚠️ VORSICHT: Öl auf dem Bandsägeblatt kann zu Durchrutschen oder plötzlichem Lösen des Sägeblatts führen. Wischen Sie überschüssiges Öl vor der Montage des Bandsägeblatts mit einem Lappen restlos ab.

⚠️ VORSICHT: Tragen Sie stets Schutzhandschuhe bei der Handhabung des Bandsägeblatts.

⚠️ VORSICHT: Lassen Sie bei der Handhabung des Bandsägeblatts Vorsicht walten, damit Sie sich nicht an den scharfen Kanten der Sägeblattzähne verletzen.

⚠️ VORSICHT: Halten Sie Ihren Körper vom Bandsägeblatt fern, wenn Sie die Sägeblattbewegung überprüfen.

⚠️ VORSICHT: Wenn Sie den Sägeblatt-Spannhebel zum Lockern des Bandsägeblatts im Uhrzeigersinn drehen, halten Sie das Werkzeug nach unten, weil das Bandsägeblatt plötzlich herauspringen kann.

► **Abb.5:** 1. Anziehen 2. Lösen
3. Sägeblatt-Spannhebel

Zum Montieren des Bandsägeblatts:

1. Drehen Sie den Sägeblatt-Spannhebel im Uhrzeigersinn bis zum Anschlag, um das Rad zu lösen.

2. Gleichen Sie die Richtung der Pfeile auf Bandsägeblatt und Rädern an.

3. Führen Sie die nicht gezahnte Seite des Bandsägeblatts in den oberen Halter und den unteren Halter ein. Vergewissern Sie sich, dass das Bandsägeblatt sowohl im oberen als auch unteren Halter die unteren Lager berührt.

► **Abb.6:** 1. Unterer Halter 2. Oberer Halter 3. Unteres Lager

4. Während Sie auf den mittleren Teil des Bandsägeblatts drücken, positionieren Sie das Sägeblatt um ein Rad. Durch Verschieben des Rads zur Seite A wird dieser Vorgang erleichtert.

► **Abb.7:** 1. Rad 2. Gummireifen

5. Positionieren Sie das Bandsägeblatt auf ähnliche Weise auf das andere Rad.

6. Positionieren Sie die Kante des Bandsägeblatts auf den Gummireifen.

7. Halten Sie das Bandsägeblatt in Position, und drehen Sie den Sägeblatt-Spannhebel bis zum Anschlag entgegen dem Uhrzeigersinn. Dadurch wird das Bandsägeblatt korrekt gespannt.

ANMERKUNG: Vergewissern Sie sich, dass das Bandsägeblatt korrekt um die Räder positioniert ist.

ANMERKUNG: Schalten Sie das Werkzeug zwei- bis dreimal ein und aus, um sicherzustellen, dass das Bandsägeblatt einwandfrei auf den Rädern läuft.

Zum Demontieren des Bandsägeblatts ist das

Montageverfahren umgekehrt anzuwenden.

Einstellen der Anschlagplattenposition

Bei normalem Betrieb muss die Anschlagplatte vollständig in Richtung A überstehen.

Wenn die Anschlagplatte am Ende eines Schnitts gegen ein Hindernis, wie z. B. eine Wand oder dergleichen, stößt, lösen Sie die zwei Schrauben, und schieben Sie die Platte in Richtung B, wie in der Abbildung gezeigt. Sichern Sie die Anschlagplatte nach dem Verschieben, indem Sie die zwei Schrauben fest anziehen.

► **Abb.8:** 1. Anschlagplatte 2. Schrauben
3. Bandsägeblatt

Montieren des Aufhängers

Sonderzubehör

⚠ VORSICHT: Verwenden Sie den Aufhänger nur zum vorübergehenden Aufhängen des Werkzeugs. Anderenfalls kann sich der Aufhänger vom Werkzeug lösen und Personenschäden verursachen.

Der Aufhänger ist praktisch, um das Werkzeug aufzuhängen. Hängen Sie das Werkzeug an ein Rohrschraubstock oder eine andere geeignete, stabile Struktur.

Um den Aufhänger zu montieren, bringen Sie den Aufhänger entlang der Nut an, und befestigen Sie ihn mit zwei Schrauben.

► **Abb.9:** 1. Aufhänger 2. Schrauben

BETRIEB

⚠ VORSICHT: Führen Sie den Akku immer vollständig ein, bis er einrastet. Falls die rote Anzeige an der Oberseite des Knopfes sichtbar ist, ist der Akku nicht vollständig verriegelt. Schieben Sie ihn bis zum Anschlag ein, bis die rote Anzeige nicht mehr sichtbar ist. Anderenfalls kann er aus dem Werkzeug herausfallen und Sie oder umstehende Personen verletzen.

⚠ VORSICHT: Halten Sie stets den vorderen und hinteren Handgriff. Halten Sie niemals den Werkzeugkörper oder die Schutzhauben. Ihre Hände können von diesen Stellen abrutschen und mit dem Bandsägeblatt in Berührung kommen. Dies kann zu Personenschäden führen.

⚠ VORSICHT: Halten Sie das Werkzeug unbedingt mit festem Griff, wenn Sie es ein- oder ausschalten, oder beim Schneiden. Anderenfalls kann das Werkzeug herunterfallen und Personenschäden verursachen.

HINWEIS: Beim Schneiden von Metall wird das Tragen von Handschuhen empfohlen, um Ihre Hände vor heißen ausgeschleuderten Spänen zu schützen.

Um einen stabilen Schnitt auszuführen, halten Sie immer mindestens zwei Zähne im Schnitt.

► **Abb.10**

Setzen Sie das Bandsägeblatt an die geeignete Schneidposition am Werkstück an, wie dargestellt.

► **Abb.11**

1. Halten Sie das Werkzeug mit beiden Händen fest, wie dargestellt.

Vergewissern Sie sich vor dem Einschalten des Werkzeugs immer, dass die Anschlagplatte das Werkstück berührt und das Bandsägeblatt keine Berührung mit dem Werkstück hat.

► **Abb.12**

2. Schalten Sie das Werkzeug ein, und warten Sie, bis das Bandsägeblatt die volle Geschwindigkeit erreicht hat. Senken Sie das Sägeblatt sachte in den Schnitt. Das Eigengewicht des Werkzeugs oder leichtes Andrücken liefert genügend Druck für den Schneidvorgang. Üben Sie keinen übermäßigen Druck auf das Werkzeug aus.

► **Abb.13**

3. Verringern Sie kurz vor dem Ende des Schnitts den Druck, und heben Sie das Werkzeug leicht an, damit es nicht auf das Werkstück fällt.

ANMERKUNG: Übermäßige Druckausübung auf das Werkzeug oder Verdrehen des Bandsägeblatts kann einen schiefen Schnitt oder Beschädigung des Sägeblatts verursachen.

ANMERKUNG: Wenn Sie das Werkzeug längere Zeit nicht benutzen, entfernen Sie das Bandsägeblatt aus dem Werkzeug.

ANMERKUNG: Wenn das Werkzeug im Dauerbetrieb bis zur vollkommenen Entladung des Akkus benutzt wurde, lassen Sie das Werkzeug vor dem Fortsetzen des Betriebs mit einem frischen Akku 15 Minuten lang ruhen.

Einstellen der Sägeblattspur

Wenn das Bandsägeblatt zum Abrutschen vom Rad neigt, stellen Sie die Sägeblattspur ein.

Führen Sie den Inbusschlüssel zum Einstellen in die Einstellöffnung ein, wie dargestellt, und drehen Sie ihn um eine Vierteldrehung im Uhrzeigersinn. Stellen Sie anschließend sicher, dass das Bandsägeblatt nicht abrutscht.

Falls es noch immer abrutscht, führen Sie eine weitere Vierteldrehung aus, und prüfen Sie so lange, bis das Bandsägeblatt nicht mehr abrutscht.

► **Abb.14:** 1. Inbusschlüssel 2. Einstellöffnung

Schneidschmiermittel

⚠ VORSICHT: Verwenden Sie auf keinen Fall Schneidöl, und tragen Sie auch nicht zu viel Wachs auf das Bandsägeblatt auf. Das Sägeblatt kann sonst durchrutschen oder sich plötzlich lösen.

⚠ VORSICHT: Tragen Sie zum Schneiden von Gusseisen kein Schneidwachs auf.

Verwenden Sie zum Schneiden von Metall Makita-Schneidwachs als Schmiermittel. Um das

Schneidwachs auf die Zähne des Bandsägeblatts aufzutragen, entfernen Sie eine Kappe vom Schneidwachs, starten Sie das Werkzeug, und schneiden Sie in das Wachs, wie dargestellt.

► **Abb.15:** 1. Schneidwachs

- Bandsägeblätter
- Inbusschlüssel 4
- Schneidwachs
- Aufhänger
- Radabdeckung

WARTUNG

⚠ VORSICHT: Vergewissern Sie sich vor der Durchführung von Inspektions- oder Wartungsarbeiten stets, dass das Werkzeug ausgeschaltet und der Akku abgenommen ist.

ANMERKUNG: Verwenden Sie auf keinen Fall Benzin, Waschbenzin, Verdünner, Alkohol oder dergleichen. Solche Mittel können Verfärbung, Verformung oder Rissbildung verursachen.

Um die SICHERHEIT und ZUVERLÄSSIGKEIT dieses Produkts zu gewährleisten, sollten Reparaturen und andere Wartungs- oder Einstellarbeiten nur von Makita-Vertragswerkstätten oder Makita-Kundendienstzentren unter ausschließlicher Verwendung von Makita-Originalersatzteilen ausgeführt werden.

Reinigen

⚠ VORSICHT: Wachs und Späne auf den Gummireifen an den Rädern können Durchrutschen und plötzliches Lösen des Bandsägeblatts verursachen. Säubern Sie die Gummireifen mit einem trockenen Tuch von Wachs und Spänen.

Entfernen Sie nach dem Gebrauch Wachs, Späne und Staub von dem Werkzeug, den Gummireifen an den Rädern und dem Bandsägeblatt.

Austauschen der Gummireifen an den Rädern

Tauschen Sie die Gummireifen aus, wenn das Bandsägeblatt wegen stark abgenutzter Reifen durchrutscht oder nicht richtig spurt.

Wenden Sie sich zum Austauschen der Gummireifen an ein autorisiertes Makita- oder Werks-Servicecenter.

SONDERZUBEHÖR

⚠ VORSICHT: Die folgenden Zubehörteile oder Vorrichtungen werden für den Einsatz mit dem in dieser Anleitung beschriebenen Makita-Werkzeug empfohlen. Die Verwendung anderer Zubehörteile oder Vorrichtungen kann eine Verletzungsgefahr darstellen. Verwenden Sie Zubehörteile oder Vorrichtungen nur für ihren vorgesehenen Zweck.

Wenn Sie weitere Einzelheiten bezüglich dieser Zubehörteile benötigen, wenden Sie sich bitte an Ihre Makita-Kundendienststelle.

- Original-Makita-Akku und -Ladegerät

ANMERKUNG: Um die Radabdeckung zu öffnen, öffnen und lösen Sie beide Rasten gleichzeitig. Wird nur eine Raste geöffnet, kann ein Riss in der Radabdeckung entstehen.

► **Abb.16:** 1. Radabdeckung 2. Raste

HINWEIS: Manche Teile in der Liste können als Standardzubehör im Werkzeugsatz enthalten sein. Sie können von Land zu Land unterschiedlich sein.

DATI TECNICI

| | | |
|--|-----------------------------------|--------------------------|
| Modello: | | DPB182 |
| Capacità massima di taglio | Pezzo in lavorazione rotondo | 64 mm di diametro |
| | Pezzo in lavorazione rettangolare | 64 mm x 64 mm |
| Velocità lama | | 3,2 m/s (190 m/min) |
| Dimensione lama | Lunghezza | 835 mm |
| | Larghezza | 13 mm |
| | Spessore | 0,5 mm |
| Dimensioni (L x P x A) senza coperchio delle pulegge | | 477 mm x 197 mm x 229 mm |
| Tensione nominale | | 18 V C.C. |
| Peso netto senza coperchio delle pulegge | | Da 3,8 a 4,1 kg |

- A causa del nostro programma continuativo di ricerca e sviluppo, i dati tecnici sono soggetti a modifiche senza preavviso.
- I dati tecnici possono variare da nazione a nazione.
- Il peso può variare a seconda dell'accessorio o degli accessori, inclusa la cartuccia della batteria. La combinazione più leggera e quella più pesante sono indicate nella tabella.

Cartuccia della batteria e caricabatterie applicabili

| | |
|--------------------------|---|
| Cartuccia della batteria | BL1815N / BL1820B / BL1830B / BL1840B / BL1850B / BL1860B |
| Caricabatterie | DC18RC / DC18RD / DC18RE / DC18SD / DC18SE / DC18SF / DC18SH / DC18WC |

- Alcune cartucce delle batterie e alcuni caricabatterie elencati sopra potrebbero non essere disponibili a seconda della propria area geografica di residenza.

⚠AVVERTIMENTO: Utilizzare solo le cartucce delle batterie e i caricabatterie elencati sopra. L'utilizzo di altre cartucce delle batterie e di altri caricabatterie potrebbe causare lesioni personali e/o un incendio.

Utilizzo previsto

Questo utensile è progettato per effettuare tagli nella plastica e in materiali ferrosi.

Rumore

Livello tipico di rumore pesato A determinato in base allo standard EN60745-2-20:

Livello di pressione sonora (L_{pA}): 79 dB (A)

Incertezza (K): 3 dB (A)

Il livello del rumore nelle condizioni di lavoro può superare gli 80 dB (A).

NOTA: Il valore o i valori dichiarati delle emissioni di rumori sono stati misurati in conformità a un metodo standard di verifica, e possono essere utilizzati per confrontare un utensile con un altro.

NOTA: Il valore o i valori dichiarati delle emissioni di rumori possono venire utilizzati anche per una valutazione preliminare dell'esposizione.

⚠AVVERTIMENTO: Indossare protezioni per le orecchie.

⚠AVVERTIMENTO: L'emissione di rumori durante l'utilizzo effettivo dell'utensile elettrico può variare rispetto al valore o ai valori dichiarati, a seconda dei modi in cui viene utilizzato l'utensile e specialmente a seconda di che tipo di pezzo venga lavorato.

⚠AVVERTIMENTO: Accertarsi di identificare misure di sicurezza per la protezione dell'operatore che siano basate su una stima dell'esposizione nelle condizioni effettive di utilizzo (tenendo conto di tutte le parti del ciclo operativo, ad esempio del numero di spegnimenti dell'utensile e di quando giri a vuoto, oltre al tempo di attivazione).

Vibrazioni

Valore totale delle vibrazioni (somma vettoriale triassiale) determinato in base allo standard EN60745-2-20:
 Modalità di lavoro: taglio del metallo
 Emissione di vibrazioni ($a_{h,CM}$): 2,5 m/s² o inferiore
 Incertezza (K): 1,5 m/s²

NOTA: Il valore o i valori complessivi delle vibrazioni dichiarati sono stati misurati in conformità a un metodo standard di verifica, e possono essere utilizzati per confrontare un utensile con un altro.

NOTA: Il valore o i valori complessivi delle vibrazioni dichiarati possono venire utilizzati anche per una valutazione preliminare dell'esposizione.

⚠AVVERTIMENTO: L'emissione delle vibrazioni durante l'utilizzo effettivo dell'utensile elettrico può variare rispetto al valore o ai valori dichiarati, a seconda dei modi in cui viene utilizzato l'utensile, specialmente a seconda di che tipo di pezzo venga lavorato.

⚠AVVERTIMENTO: Accertarsi di identificare misure di sicurezza per la protezione dell'operatore che siano basate su una stima dell'esposizione nelle condizioni effettive di utilizzo (tenendo conto di tutte le parti del ciclo operativo, ad esempio del numero di spegnimenti dell'utensile e di quando giri a vuoto, oltre al tempo di attivazione).

Dichiarazioni di conformità

Solo per i paesi europei

Le Dichiarazioni di conformità sono incluse nell'Allegato A al presente manuale d'uso.

AVVERTENZE DI SICUREZZA

Avvertenze generali relative alla sicurezza dell'utensile elettrico

⚠AVVERTIMENTO Leggere tutte le avvertenze di sicurezza, le istruzioni, le illustrazioni e i dati tecnici forniti insieme a questo utensile elettrico. La mancata osservanza di tutte le istruzioni seguenti potrebbe risultare in scosse elettriche, incendi e/o gravi lesioni personali.

Conservare tutte le avvertenze e le istruzioni come riferimento futuro.

Il termine "utensile elettrico" nelle avvertenze si riferisce sia all'utensile elettrico (cablato) nel funzionamento alimentato da rete elettrica che all'utensile elettrico (a batteria) nel funzionamento alimentato a batteria.

Avvertenze di sicurezza relative alla sega a nastro portatile a batteria

1. **Mantenere l'utensile elettrico mediante le superfici di impugnature isolate, quando si intende eseguire un'operazione in cui l'accesso da taglio potrebbe entrare in contatto con fili elettrici nascosti.** Accessori da taglio che entrino in contatto con un cavo sotto tensione potrebbero mettere sotto tensione le parti

metalliche esposte dell'utensile elettrico e trasmettere una scossa elettrica all'operatore.

Avvertenze aggiuntive per la sicurezza:

2. **Utilizzare esclusivamente le lame elencate nella sezione "DATI TECNICI".**
3. **Prima dell'uso, controllare con cura che la lama non presenti spaccature o danneggiamenti. Sostituire immediatamente una lama spaccata o danneggiata.**
4. **Fissare saldamente il pezzo in lavorazione. Quando si intende tagliare un gruppo di pezzi in lavorazione, accertarsi che siano tutti fissati assieme saldamente, prima di eseguire il taglio.**
5. **Il taglio di pezzi in lavorazione coperti d'olio può causare il distacco imprevisto della lama. Rimuovere tutto l'olio in eccesso dai pezzi in lavorazione prima del taglio.**
6. **Non utilizzare mai l'olio da taglio come lubrificante per il taglio. Utilizzare esclusivamente cera da taglio Makita.**
7. **Non indossare guanti durante l'uso.**
8. **Mantenere saldamente l'utensile con entrambe le mani.**
9. **Tenere le mani lontane dalle parti rotanti.**
10. **Quando si intende tagliare del metallo, fare attenzione alle schegge volanti estremamente calde.**
11. **Non lasciare l'utensile incustodito mentre è in funzione.**
12. **Non toccare la lama o il pezzo in lavorazione subito dopo l'operazione; la loro temperatura potrebbe essere estremamente elevata e potrebbero causare ustioni.**
13. **Prima dell'uso, accertarsi che non siano presenti oggetti interrati quali canaline elettriche, tubi dell'acqua o tubi del gas nell'area di lavoro.** In caso contrario, la lama per sega a nastro potrebbe toccarli, causando scosse elettriche, dispersioni elettriche o fughe di gas.

CONSERVARE LE PRESENTI ISTRUZIONI.

⚠AVVERTIMENTO: NON lasciare che comodità o la familiarità d'utilizzo con il prodotto (acquisita con l'uso ripetuto) sostituisca la stretta osservanza delle norme di sicurezza per il prodotto in questione. L'USO IMPROPRIO o la mancata osservanza delle norme di sicurezza indicate nel presente manuale di istruzioni potrebbero causare gravi lesioni personali.

Istruzioni di sicurezza importanti per la cartuccia della batteria

1. **Prima di utilizzare la cartuccia della batteria, leggere tutte le istruzioni e le avvertenze riportate (1) sul caricabatteria, (2) sulla batteria e (3) sul prodotto che utilizza la batteria.**
2. **Non smantellare né manomettere la cartuccia della batteria.** In caso contrario, si potrebbe causare un incendio, calore eccessivo o un'esplosione.

3. Qualora il tempo di utilizzo si riduca eccessivamente, interrompere immediatamente l'utilizzo dell'utensile. In caso contrario, si può incorrere nel rischio di surriscaldamento, possibili ustioni e persino un'esplosione.
4. Qualora l'elettrolita entri in contatto con gli occhi, sciacquarli con acqua pulita e richiedere immediatamente assistenza medica. Questa eventualità può risultare nella perdita della vista.
5. **Non cortocircuitare la cartuccia della batteria:**
 - (1) Non toccare i terminali con alcun materiale conduttivo.
 - (2) Evitare di conservare la cartuccia della batteria in un contenitore insieme ad altri oggetti metallici quali chiodi, monete, e così via.
 - (3) Non esporre la cartuccia della batteria all'acqua o alla pioggia.

Un cortocircuito della batteria può causare un grande flusso di corrente, un surriscaldamento, possibili ustioni e persino un guasto.

6. Non conservare e utilizzare l'utensile e la cartuccia della batteria in ubicazioni in cui la temperatura possa raggiungere o superare i 50°C.
7. Non incenerire la cartuccia della batteria anche qualora sia gravemente danneggiata o completamente esaurita. La cartuccia della batteria può esplodere se a contatto con il fuoco.
8. Non inchiodare, tagliare, schiacciare, lanciare o far cadere la cartuccia della batteria, né farla urtare con forza contro un oggetto duro. Questi comportamenti potrebbero risultare in un incendio, calore eccessivo o un'esplosione.
9. Non utilizzare una batteria danneggiata.
10. Le batterie a ioni di litio contenute sono soggette ai requisiti del regolamento sul trasporto di merci pericolose (Dangerous Goods Legislation).
Per trasporti commerciali, ad esempio da parte di terzi o spedizionieri, è necessario osservare dei requisiti speciali sull'imballaggio e sull'etichetta. Per la preparazione dell'articolo da spedire, è richiesta la consulenza di un esperto in materiali pericolosi. Attenersi anche alle normative nazionali, che potrebbero essere più dettagliate. Nasturare o coprire i contatti aperti e imballare la batteria in modo tale che non si possa muovere liberamente all'interno dell'imballaggio.
11. Quando si intende smaltire la cartuccia della batteria, rimuoverla dall'utensile e smaltirla in un luogo sicuro. Attenersi alle normative locali relative allo smaltimento della batteria.
12. Utilizzare le batterie esclusivamente con i prodotti specificati da Makita. L'installazione delle batterie in prodotti non compatibili potrebbe risultare in incendi, calore eccessivo, esplosioni o perdite di liquido elettrolitico.
13. Se l'utensile non viene utilizzato per un periodo di tempo prolungato, la batteria deve essere rimossa dall'utensile.
14. Durante e dopo l'uso, la cartuccia della batteria potrebbe assorbire calore, che può causare ustioni o ustioni a bassa temperatura. Fare

attenzione a come si maneggiano le cartucce delle batterie estremamente calde.

15. Non toccare i terminali dell'utensile subito dopo l'uso, in quanto potrebbero diventare estremamente caldi al punto da causare ustioni.
16. Evitare di far incastrare schegge, polveri o terreno nei terminali, nei fori e nelle scanalature della cartuccia della batteria. In caso contrario, l'utensile o la cartuccia della batteria potrebbero riscaldarsi, prendere fuoco, scoppiare o guastarsi, causando ustioni o lesioni personali.
17. A meno che l'utensile supporti l'uso in prossimità di linee elettriche ad alta tensione, non utilizzare la cartuccia della batteria in prossimità di linee elettriche ad alta tensione. In caso contrario, si potrebbe causare un malfunzionamento o la rottura dell'utensile o della cartuccia della batteria.
18. Tenere la batteria lontana dai bambini.

CONSERVARE LE PRESENTI ISTRUZIONI.

ATTENZIONE: Utilizzare solo batterie originali Makita. L'utilizzo di batterie Makita non originali, o di batterie che siano state alterate, potrebbe risultare nello scoppio della batteria, causando incendi, lesioni personali e danni. Inoltre, ciò potrebbe invalidare la garanzia Makita per l'utensile e il caricabatterie Makita.

Suggerimenti per preservare la durata massima della batteria

1. Caricare la cartuccia della batteria prima che si scarichi completamente. Smettere sempre di utilizzare l'utensile e caricare la cartuccia della batteria quando si nota che la potenza dell'utensile è diminuita.
2. Non ricaricare mai una cartuccia della batteria completamente carica. La sovraccarica riduce la vita utile della batteria.
3. Caricare la cartuccia della batteria a una temperatura ambiente compresa tra 10 °C e 40 °C. Lasciar raffreddare una cartuccia della batteria prima di caricarla.
4. Quando non si utilizza la cartuccia della batteria, rimuoverla dall'utensile o dal caricabatterie.
5. Caricare la cartuccia della batteria se non la si è utilizzata per un periodo di tempo prolungato (più di sei mesi).

DESCRIZIONE DELLE FUNZIONI

ATTENZIONE: Accertarsi sempre che l'utensile sia spento e che la cartuccia della batteria sia stata rimossa prima di regolare o di controllare il funzionamento dell'utensile.

Installazione o rimozione della cartuccia della batteria

ATTENZIONE: Spegnerne sempre l'utensile prima di installare o rimuovere la cartuccia della batteria.

ATTENZIONE: Mantenere saldamente lo strumento e la batteria quando si intende installare o rimuovere la cartuccia della batteria. Qualora non si mantengono saldamente lo strumento e la cartuccia della batteria, questi ultimi potrebbero scivolare dalle mani, con la possibilità di causare un danneggiamento dello strumento e della cartuccia della batteria, nonché una lesione personale.

Per installare la cartuccia della batteria, allineare la linguetta sulla cartuccia della batteria con la scanalatura nell'alloggiamento e farla scivolare in sede. Inserirli completamente fino al suo blocco in sede con un leggero scatto. Se è possibile vedere l'indicatore rosso, come indicato nella figura, non è bloccata completamente.

Per rimuovere la cartuccia della batteria, farla scorrere via dall'utensile mentre si fa scorrere allo stesso tempo il pulsante sulla parte anteriore della cartuccia.

► **Fig.1:** 1. Indicatore rosso 2. Pulsante 3. Cartuccia della batteria

ATTENZIONE: Installare sempre fino in fondo la cartuccia della batteria, fino a quando l'indicatore rosso non è più visibile. In caso contrario, la batteria potrebbe cadere accidentalmente dall'utensile, causando lesioni personali all'operatore o a chi gli è vicino.

ATTENZIONE: Non installare forzatamente la cartuccia della batteria. Qualora la batteria non si inserisca scorrendo agevolmente, vuol dire che non viene inserita correttamente.

Indicazione della carica residua della batteria

Solo per cartucce delle batterie dotate di indicatore

Premere il pulsante di controllo sulla cartuccia della batteria per indicare la carica residua della batteria. Gli indicatori luminosi si illuminano per alcuni secondi.

► **Fig.2:** 1. Indicatori luminosi 2. Pulsante di controllo

| Indicatori luminosi | | | Carica residua |
|---------------------|-------------|-------------------|-----------------|
| ■ Illuminato | □ Spento | ▬ Lampeggiante | |
| ■ | □ | ▬ | |
| ■ ■ ■ ■ | | | Dal 75% al 100% |
| ■ ■ ■ □ | | | Dal 50% al 75% |
| ■ ■ □ □ | | | Dal 25% al 50% |
| ■ □ □ □ | | | Dallo 0% al 25% |

| Indicatori luminosi | | | Carica residua |
|---------------------|-------------|-------------------|--|
| ■ Illuminato | □ Spento | ▬ Lampeggiante | |
| ▬ | □ □ □ | | Caricare la batteria. |
| ■ ■ □ □ | ↑ ↓ | ■ ■ | La batteria potrebbe essersi guastata. |

NOTA: A seconda delle condizioni d'uso e della temperatura ambiente, l'indicazione potrebbe variare leggermente rispetto alla carica effettiva.

NOTA: Il primo indicatore luminoso (all'estremità sinistra) lampeggia quando il sistema di protezione della batteria è in funzione.

Sistema di protezione strumento/batteria

L'utensile è dotato di un sistema di protezione dell'utensile stesso e della batteria. Tale sistema interrompe automaticamente l'alimentazione al motore per prolungare la vita utile dell'utensile e della batteria. L'utensile si arresta automaticamente durante il funzionamento, qualora l'utensile o la batteria vengano a trovarsi in una delle condizioni seguenti:

Protezione dal sovraccarico

Quando la batteria viene utilizzata in modo tale da causare un assorbimento di corrente elevato in modo anomalo, l'utensile si arresta automaticamente senza alcuna indicazione. In questa situazione, spegnere l'utensile e interrompere l'applicazione che ha fatto sovraccaricare l'utensile. Quindi, accendere l'utensile per ricominciare.

Protezione dalla sovrascarica

Quando la carica della batteria non è sufficiente, l'utensile si arresta automaticamente. In tal caso, rimuovere la batteria dall'utensile e caricarla.

Protezione da altre cause

Il sistema di protezione è progettato anche per altre cause che potrebbero danneggiare l'utensile, e consente a quest'ultimo di arrestarsi automaticamente. Quando l'utensile è stato portato a un'interruzione temporanea o a un arresto del funzionamento, adottare tutte le misure seguenti per rimuovere le cause.

1. Spegnerne l'utensile, quindi riaccenderlo per ricominciare.
2. Caricare la batteria o le batterie, oppure sostituirla/sostituirle con una batteria o delle batterie ricaricate.
3. Lasciar raffreddare l'utensile e la batteria o le batterie.

Qualora non si riscontri alcun miglioramento ripristinando il sistema di protezione, contattare il proprio centro di assistenza Makita locale.

Funzionamento dell'interruttore

⚠AVVERTIMENTO: Prima di inserire la cartuccia della batteria nell'utensile, controllare sempre che l'interruttore a grilletto funzioni correttamente e torni sulla posizione "OFF" quando viene rilasciato.

Per evitare che l'interruttore a grilletto venga premuto accidentalmente, viene fornito un pulsante di blocco del grilletto.

Per avviare l'utensile, far rientrare il pulsante di blocco del grilletto premendolo dal lato A e premere l'interruttore a grilletto. Per arrestare l'utensile, rilasciare l'interruttore a grilletto. Dopo l'uso, far rientrare il pulsante di blocco del grilletto premendolo dal lato B.

- **Fig.3:** 1. Pulsante di blocco del grilletto
2. Interruttore a grilletto

Accensione della lampada anteriore

⚠ATTENZIONE: Non osservare né guardare direttamente la fonte di luce.

Premere l'interruttore a grilletto per accendere la lampadina. La lampadina resta accesa fintanto che l'interruttore a grilletto è premuto. La lampadina si spegne subito dopo il rilascio dell'interruttore a grilletto.

- **Fig.4:** 1. Lampadina

NOTA: Non sottoporre la lampadina a impatti, che potrebbero danneggiarla o ridurne la vita utile.

NOTA: Per pulire la sporcizia dalla lente della lampada, utilizzare un panno asciutto. Fare attenzione a non graffiare la lente della lampada, altrimenti si potrebbe ridurre l'illuminazione.

MONTAGGIO

⚠ATTENZIONE: Accertarsi sempre che l'utensile sia spento e che la cartuccia della batteria sia stata rimossa, prima di effettuare qualsiasi intervento sull'utensile.

Installazione o rimozione della lama per sega a nastro

⚠ATTENZIONE: La presenza di olio sulla lama per sega a nastro può causare lo scivolamento o il distacco imprevisto della lama. Prima di installare la lama per sega a nastro, rimuovere tutto l'olio in eccesso con un panno.

⚠ATTENZIONE: Indossare sempre guanti protettivi quando si intende maneggiare la lama per sega a nastro.

⚠ATTENZIONE: Adottare cautela quando si maneggia la lama per sega a nastro, per evitare di tagliarsi con il bordo affilato dei denti della lama.

⚠ATTENZIONE: Tenere il corpo lontano dalla lama per sega a nastro, quando si intende controllare il movimento della lama.

⚠ATTENZIONE: Quando si ruota la leva di tensionamento della lama in senso orario per rilasciare la tensione della lama per sega a nastro, puntare l'utensile verso il basso, poiché la lama per sega a nastro potrebbe staccarsi improvvisamente.

- **Fig.5:** 1. Per mettere in tensione 2. Per allentare 3. Leva di tensionamento della lama

Per installare la lama per sega a nastro:

1. Ruotare la leva di tensionamento della lama in senso orario fino al suo arresto per allentare la puleggia.
 2. Far corrispondere la direzione delle frecce presenti sulla lama per sega a nastro e sulle pulegge.
 3. Inserire il lato non serrato della lama per sega a nastro nel supporto superiore e nel supporto inferiore. Accertarsi che la lama per sega a nastro tocchi i cuscinetti in basso sia nel supporto superiore che in quello inferiore.
- **Fig.6:** 1. Supporto inferiore 2. Supporto superiore 3. Cuscinetto in basso

4. Tenendo premuta la parte centrale della lama per sega a nastro, posizionare la lama intorno a una puleggia. Lo spostamento della puleggia verso il lato A rende più semplice l'operazione.

- **Fig.7:** 1. Puleggia 2. Anello in gomma

5. Posizionare la lama per sega a nastro in modo analogo sull'altra puleggia.
6. Posizionare il bordo della lama per sega a nastro sull'anello in gomma.
7. Mantenere la lama per sega a nastro in sede e ruotare la leva di tensionamento della lama in senso antiorario fino al suo arresto. In tal modo si applica la tensione corretta alla lama per sega a nastro.

AVVISO: Accertarsi che la lama per sega a nastro sia posizionata correttamente intorno alle pulegge.

AVVISO: Avviare e arrestare l'utensile due o tre volte per accertarsi che la lama per sega a nastro scorra correttamente sulle pulegge.

Per rimuovere la lama per sega a nastro, eseguire la

procedura di installazione al contrario.

Regolazione della posizione della piastra di fermo

Nel funzionamento normale, far sporgere la piastra di fermo completamente verso il lato A.

Qualora, alla fine di un taglio, la piastra di fermo urti contro degli ostacoli come una parete, o simili, allentare i due bulloni e farla scivolare verso il lato B, come indicato nella figura.

Dopo aver fatto scivolare la piastra di fermo, fissarla serrando saldamente i due bulloni.

► **Fig.8:** 1. Piastra di fermo 2. Bulloni 3. Lama per sega a nastro

Installazione del gancio

Accessorio opzionale

⚠ATTENZIONE: Non utilizzare il gancio a scopi diversi dalla sospensione temporanea dell'utensile. In caso contrario, il gancio potrebbe staccarsi dall'utensile e causare lesioni personali.

Il gancio è utile per appendere l'utensile. Appendere l'utensile a una morsa per tubi o a un'altra struttura idonea e stabile.

Per installare il gancio, inserirlo lungo la scanalatura e serrarlo con due viti.

► **Fig.9:** 1. Gancio 2. Viti

FUNZIONAMENTO

⚠ATTENZIONE: Inserire sempre completamente la cartuccia della batteria, fino al suo arresto in sede. Qualora si veda l'indicatore rosso sul lato superiore del pulsante, la batteria non è bloccata completamente. Inserirla completamente, fino a quando l'indicatore rosso non è più visibile. In caso contrario, la batteria potrebbe fuoriuscire e cadere accidentalmente dall'utensile, causando lesioni personali all'operatore o a chi gli è vicino.

⚠ATTENZIONE: Afferrare sempre la maniglia anteriore e quella posteriore. Non afferrare mai il corpo o le protezioni dell'utensile. Le mani potrebbero scivolare da queste ubicazioni ed entrare in contatto con la lama per sega a nastro. Ciò potrebbe causare lesioni personali.

⚠ATTENZIONE: Accertarsi di mantenere saldamente l'utensile quando si intende accenderlo o spegnerlo, oppure durante il taglio. In caso contrario, l'utensile potrebbe cadere e causare lesioni personali.

NOTA: Quando si intende tagliare del metallo, si consiglia di indossare dei guanti per proteggere le mani da schegge volanti estremamente calde.

Per un taglio stabile, mantenere sempre almeno due denti all'interno del taglio.

► **Fig.10**

Applicare la lama per sega a nastro sulla posizione di taglio idonea sul pezzo in lavorazione, come indicato nella figura.

► **Fig.11**

1. Mantenere l'utensile con entrambe le mani, come indicato nella figura.

Prima di accendere l'utensile, accertarsi sempre che la piastra di fermo sia in contatto con il pezzo in lavorazione e che la lama per sega a nastro sia separata dal pezzo in lavorazione.

► **Fig.12**

2. Quindi, accendere l'utensile e attendere che la lama per sega a nastro abbia raggiunto la piena velocità. Abbassare delicatamente la lama nel taglio. Il peso dell'utensile o una leggera pressione su quest'ultimo forniscono la pressione adeguata per il taglio. Non forzare l'utensile.

► **Fig.13**

3. Con l'approssimarsi alla fine del taglio, rilasciare la pressione e sollevare leggermente l'utensile, in modo che non cada contro il pezzo in lavorazione.

AVVISO: L'applicazione di una pressione eccessiva sull'utensile o la torsione della lama per sega a nastro potrebbero causare un taglio a unghia o il danneggiamento della lama.

AVVISO: Quando non si intende utilizzare l'utensile per un periodo di tempo prolungato, rimuovere la lama per sega a nastro dall'utensile.

AVVISO: Qualora l'utensile venga fatto funzionare continuamente fino a quando la cartuccia della batteria si è scaricata, lasciar riposare l'utensile per 15 minuti, prima di procedere con una batteria carica.

Regolazione del binario della lama

Quando la lama per sega a nastro tende a scivolare fuori dalla puleggia, regolare il binario della lama.

Per regolarlo, inserire la chiave esagonale nel foro di regolazione come indicato nella figura e ruotarla in senso orario di un quarto di giro. Dopodiché, verificare se la lama per sega a nastro non scivoli fuori.

Qualora continui a scivolare fuori, ruotare la chiave di un altro quarto di giro e controllare, fino a quando la lama per sega a nastro non scivola fuori.

► **Fig.14:** 1. Chiave esagonale 2. Foro di regolazione

Lubrificante per il taglio

⚠ATTENZIONE: Non utilizzare mai olio da taglio né applicare una quantità eccessiva di cera alla lama per sega a nastro. In caso contrario, si potrebbe causare lo scivolamento o il distacco imprevisto della lama.

⚠ATTENZIONE: Non utilizzare alcun tipo di cera da taglio quando si intende tagliare ghisa.

Quando si intende tagliare dei metalli, utilizzare la cera da taglio Makita come lubrificante per il taglio. Per applicare la cera da taglio sui denti della lama per sega a nastro, rimuovere il cappuccio della cera da taglio, avviare l'utensile ed eseguire un taglio nella cera, come

illustrato nella figura.

► **Fig.15:** 1. Cera da taglio

MANUTENZIONE

⚠ATTENZIONE: Accertarsi sempre che l'utensile sia spento e che la cartuccia della batteria sia stata rimossa prima di tentare di eseguire interventi di ispezione o manutenzione.

AVVISO: Non utilizzare mai benzina, benzene, solventi, alcol o altre sostanze simili. In caso contrario, si potrebbero causare scolorimenti, deformazioni o crepe.

Per preservare la SICUREZZA e l'AFFIDABILITÀ del prodotto, le riparazioni e qualsiasi altro intervento di manutenzione e di regolazione devono essere eseguiti da un centro di assistenza autorizzato Makita, utilizzando sempre ricambi Makita.

Pulizia

⚠ATTENZIONE: La presenza di cera e schegge sugli anelli in gomma sulle pulegge potrebbe causare lo scivolamento e il distacco imprevisto della lama per sega a nastro. Per rimuovere cera e schegge dagli anelli in gomma, utilizzare un panno asciutto.

Dopo l'uso, rimuovere cera, schegge e polveri dall'utensile, dagli anelli in gomma sulle pulegge e dalla lama per sega a nastro.

Sostituzione degli anelli in gomma sulle pulegge

Quando la lama per sega a nastro scivola o non segue correttamente il binario a causa di anelli in gomma notevolmente usurati, sostituire gli anelli in gomma.

Per sostituire un anello in gomma, rivolgersi a un centro di assistenza autorizzato Makita.

ACCESSORI OPZIONALI

⚠ATTENZIONE: Questi accessori o componenti aggiuntivi sono consigliati per l'uso con l'utensile Makita specificato nel presente manuale. L'impiego di altri accessori o componenti aggiuntivi può costituire un rischio di lesioni alle persone. Utilizzare gli accessori o i componenti aggiuntivi solo per il loro scopo prefissato.

Per ottenere ulteriori dettagli relativamente a questi accessori, rivolgersi a un centro di assistenza Makita.

- Batteria e caricabatterie originali Makita
- Lame per sega a nastro
- Chiave esagonale 4
- Cera da taglio
- Gancio

- Coperchio delle pulegge

AVVISO: Quando si intende aprire il coperchio delle pulegge, aprire e rilasciare entrambi i ganci contemporaneamente. L'apertura di un solo gancio potrebbe causare una spaccatura sul coperchio delle pulegge.

► **Fig.16:** 1. Coperchio delle pulegge 2. Gancio

NOTA: Alcuni articoli nell'elenco potrebbero essere inclusi nell'imballaggio dell'utensile come accessori standard. Tali articoli potrebbero variare da nazione a nazione.

TECHNISCHE GEGEVENS

| | | |
|---|----------------------|--------------------------|
| Model: | | DPB182 |
| Max. snoeicapaciteit | Rond werkstuk | Diameter 64 mm |
| | Rechthoekig werkstuk | 64 mm x 64 mm |
| Snelheid van zaagblad | | 3,2 m/s (190 m/min) |
| Afmetingen van zaagblad | Lengte | 835 mm |
| | Breedte | 13 mm |
| | Dikte | 0,5 mm |
| Afmetingen (l x b x h) zonder schijfafdekking | | 477 mm x 197 mm x 229 mm |
| Nominale spanning | | 18 V gelijkstroom |
| Nettogewicht zonder schijfafdekking | | 3,8 - 4,1 kg |

- In verband met ononderbroken research en ontwikkeling, behouden wij ons het recht voor de bovenstaande technische gegevens zonder voorafgaande kennisgeving te wijzigen.
- De technische gegevens kunnen van land tot land verschillen.
- Het gewicht kan verschillen afhankelijk van de hulpstukken, waaronder de accu. De lichtste en zwaarste combinaties worden vermeld in de tabel.

Toepasselijke accu's en laders

| | |
|-------|---|
| Accu | BL1815N / BL1820B / BL1830B / BL1840B / BL1850B / BL1860B |
| Lader | DC18RC / DC18RD / DC18RE / DC18SD / DC18SE / DC18SF / DC18SH / DC18WC |

- Sommige van de hierboven vermelde accu's en laders zijn mogelijk niet leverbaar afhankelijk van waar u woont.

⚠️ WAARSCHUWING: Gebruik uitsluitend de accu's en laders die hierboven worden genoemd. Gebruik van enige andere accu of lader kan leiden tot letsel en/of brand.

Gebruiksdoeleinden

Dit gereedschap is bedoeld voor het zagen van kunststof en ferromaterialen.

Geluidsniveau

De typische, A-gewogen geluidsniveaus zijn gemeten volgens EN60745-2-20:

Geluidsdruk niveau (L_{pA}): 79 dB (A)

Onzekerheid (K): 3 dB (A)

Het geluidsniveau kan tijdens gebruik hoger worden dan 80 dB (A).

OPMERKING: De opgegeven geluidsemisiewaarde(n) is/zijn gemeten volgens een standaardtestmethode en kan/kunnen worden gebruikt om dit gereedschap te vergelijken met andere gereedschappen.

OPMERKING: De opgegeven geluidsemisiewaarde(n) kan/kunnen ook worden gebruikt voor een beoordeling vooraf van de blootstelling.

⚠️ WAARSCHUWING: Draag gehoorbescherming.

⚠️ WAARSCHUWING: De geluidsemisie tijdens het gebruik van het elektrisch gereedschap in de praktijk kan verschillen van de opgegeven waarde(n) afhankelijk van de manier waarop het gereedschap wordt gebruikt, met name van het soort werkstuk waarmee wordt gewerkt.

⚠️ WAARSCHUWING: Zorg ervoor dat veiligheidsmaatregelen worden getroffen ter bescherming van de gebruiker die zijn gebaseerd op een schatting van de blootstelling onder praktijkomstandigheden (rekening houdend met alle fasen van de bedrijfscyclus, zoals de tijdsduur gedurende welke het gereedschap is uitgeschakeld en stationair draait, naast de ingeschakelde tijdsduur).

Trilling

De totale trillingswaarde (triaxiale vectorsom) zoals vastgesteld volgens EN60745-2-20:

Gebruikstoepassing: zagen van metaal

Trillingsemisie ($a_{h,CM}$): 2,5 m/s² of lager

Onzekerheid (K): 1,5 m/s²

OPMERKING: De totale trillingswaarde(n) is/zijn gemeten volgens een standaardtestmethode en kan/kunnen worden gebruikt om dit gereedschap te vergelijken met andere gereedschappen.

OPMERKING: De opgegeven totale trillingswaarde(n) kan/kunnen ook worden gebruikt voor een beoordeling vooraf van de blootstelling.

⚠️ WAARSCHUWING: De trillingsemissie tijdens het gebruik van het elektrisch gereedschap in de praktijk kan verschillen van de opgegeven waarde(n) afhankelijk van de manier waarop het gereedschap wordt gebruikt, met name van het soort werkstuk waarmee wordt gewerkt.

⚠️ WAARSCHUWING: Zorg ervoor dat veiligheidsmaatregelen worden getroffen ter bescherming van de gebruiker die zijn gebaseerd op een schatting van de blootstelling onder praktijkomstandigheden (rekening houdend met alle fasen van de bedrijfscyclus, zoals de tijdsduur gedurende welke het gereedschap is uitgeschakeld en stationair draait, naast de ingeschakelde tijdsduur).

Verklaringen van conformiteit

Alleen voor Europese landen

De verklaringen van conformiteit zijn bijgevoegd in Bijlage A bij deze gebruiksaanwijzing.

VEILIGHEIDSWAARSCHUWINGEN

Algemene veiligheidswaarschuwingen voor elektrisch gereedschap

⚠️ WAARSCHUWING Lees alle veiligheidswaarschuwingen, instructies, afbeeldingen en technische gegevens die bij dit elektrisch gereedschap worden geleverd. Als niet alle onderstaande instructies worden opgevolgd, kan dat leiden tot een elektrische schok, brand en/of ernstig letsel.

Bewaar alle waarschuwingen en instructies om in de toekomst te kunnen raadplegen.

De term "elektrisch gereedschap" in de veiligheidsvoorschriften duidt op gereedschappen die op stroom van het lichtnet werken (met snoer) of gereedschappen met een accu (snoerloos).

Veiligheidswaarschuwingen voor een draagbare accubandzaag

1. Houd het elektrisch gereedschap vast aan het geïsoleerde oppervlak van de handgrepen wanneer u werkt op plaatsen waar het accessoire met verborgen bedrading in aanraking

kan komen. Wanneer het accessoire in aanraking komt met onder spanning staande draden, zullen de niet-geïsoleerde metalen delen van het gereedschap onder spanning komen te staan zodat de gebruiker een elektrische schok kan krijgen.

Aanvullende veiligheidswaarschuwingen:

2. Gebruik uitsluitend zaagbladen die worden vermeld onder "TECHNISCHE GEGEVENS".
3. Controleer vóór het gebruik het zaagblad zorgvuldig op barsten of beschadiging. Vervang een gebarsten of beschadigd zaagblad onmiddellijk.
4. Zet uw werkstuk stevig vast. Bij het doorzagen van een bundel werkstukken, verzekert u zich ervan dat alle werkstukken stevig samen bij elkaar gehouden worden voordat u begint te zagen.
5. Het zagen van werkstukken waarop olie zit, kan ertoe leiden dat het zaagblad onverwacht eraf loopt. Veeg alle overtollige olie van de werkstukken af voordat u begint te zagen.
6. Gebruik nooit snijolie als smeermiddel. Gebruik uitsluitend snijwas van Makita.
7. Draag geen handschoenen tijdens het gebruik.
8. Houd het gereedschap stevig vast met beide handen.
9. Houd uw handen uit de buurt van draaiende delen.
10. Wees bij het zagen van metaal bedacht op rondvliegende hete metaaldeeltjes.
11. Laat het gereedschap niet onbeheerd ingeschakeld achter.
12. Raak het zaagblad of het werkstuk niet aan onmiddellijk na het werk; deze kunnen gloeiend heet zijn en brandwonden veroorzaken.
13. Verzekeer u er vóór aanvang van de werkzaamheden van dat er geen voorwerpen, zoals elektriciteits-, gas- en waterleidingen, begraven liggen in het werkgebied. Anders kan het bandzaagblad deze raken, waardoor een elektrische schok, lekstroom of gaslek kan ontstaan.

BEWAAR DEZE INSTRUCTIES.

⚠️ WAARSCHUWING: Laat u NIET misleiden door een vals gevoel van comfort en bekendheid met het gereedschap (na veelvuldig gebruik) en neem alle veiligheidsvoorschriften van het betreffende gereedschap altijd strikt in acht. **VERKEERD GEBRUIK** of het niet naleven van de veiligheidsvoorschriften in deze gebruiksaanwijzing kan leiden tot ernstig persoonlijk letsel.

Belangrijke veiligheidsinstructies voor een accu

1. Lees alle voorschriften en waarschuwingen op (1) de acculader, (2) de accu, en (3) het product waarvoor de accu wordt gebruikt, alvorens de accu in gebruik te nemen.
2. Haal de accu niet uit elkaar en saboteer hem niet. Dit kan leiden tot brand, buitensporige hitte of een explosie.
3. Als de gebruikstijd van een opgeladen accu

- aanzienlijk korter is geworden, moet u het gebruik ervan onmiddellijk stopzetten. Voortgezet gebruik kan oververhitting, brandwonden en zelfs een ontploffing veroorzaken.
4. Als elektrolyt in uw ogen is terechtgekomen, spoelt u uw ogen met schoon water en roept u onmiddellijk de hulp van een dokter in. Elektrolyt in de ogen kan blindheid veroorzaken.
 5. **Voorkom kortsluiting van de accu:**
 - (1) Raak de accuklemmen nooit aan met een geleidend materiaal.
 - (2) Bewaar de accu niet in een bak waarin andere metalen voorwerpen zoals spijkers, munten e.d. worden bewaard.
 - (3) Stel de accu niet bloot aan water of regen. Kortsluiting van de accu kan oorzaak zijn van een grote stroomafgifte, oververhitting, brandwonden, en zelfs defecten.
 6. Bewaar en gebruik het gereedschap en de accu niet op plaatsen waar de temperatuur kan oplopen tot 50 °C of hoger.
 7. Werp de accu nooit in het vuur, ook niet wanneer hij zwaar beschadigd of volledig versleten is. De accu kan ontploffen in het vuur.
 8. Laat de accu niet vallen, sla er geen spijker in, snijd er niet in, gooi er niet mee en stoot hem niet tegen een hard voorwerp. Dergelijke handelingen kunnen leiden tot brand, buitensporige hitte of een explosie.
 9. **Gebruik nooit een beschadigde accu.**
 10. **De bijgeleverde lithium-ionbatterijen zijn onderhevig aan de vereisten in de wetgeving omtrent gevaarlijke stoffen.**

Voor commercieel transport en dergelijke door derden en transporteurs moeten speciale vereisten ten aanzien van verpakking en etikettering worden nageleefd.

Als voorbereiding van het artikel dat wordt getransporteerd is het noodzakelijk een expert op het gebied van gevaarlijke stoffen te raadplegen. Houd u tevens aan mogelijk strengere nationale regelgeving.

Blootliggende contactpunten moeten worden afgedekt met tape en de accu moet zodanig worden verpakt dat deze niet kan bewegen in de verpakking.
 11. **Wanneer u de accu wilt weggooiden, verwijdert u de accu vanaf het gereedschap en gooit u hem op een veilige manier weg. Volg bij het weggooiden van de accu de plaatselijke voorschriften.**
 12. **Gebruik de accu's uitsluitend met de gereedschappen die door Makita zijn aanbevolen.** Als de accu's worden aangebracht in niet-compatibele gereedschappen, kan dat leiden tot brand, buitensporige warmteontwikkeling, een explosie of lekkage van elektrolyt.
 13. **Als u het gereedschap gedurende een lange tijd niet denkt te gaan gebruiken, moet de accu vanaf het gereedschap worden verwijderd.**
 14. **Tijdens en na gebruik, kan de accu heet worden waardoor brandwonden of koude brandwonden kunnen worden veroorzaakt. Wees voorzichtig bij het hanteren van een hete accu.**
 15. **Raak de aansluitpunten van het gereedschap niet onmiddellijk na gebruik aan omdat deze heet genoeg kunnen zijn om brandwonden te veroorzaken.**
 16. **Zorg ervoor dat geen steenslag, stof of grond vast komt te zitten op/in de aansluitpunten, openingen en groeven van de accu.** Hierdoor kan oververhitting, brand, een barst en een storing in het gereedschap of de accu ontstaan waardoor brandwonden of persoonlijk letsel kunnen ontstaan.
 17. **Behalve indien gebruik van het gereedschap is toegestaan in de buurt van hoogspanningsleidingen, mag u de accu niet gebruiken in de buurt van een hoogspanningsleiding.** Dit kan leiden tot een storing of een defect van het gereedschap of de accu.
 18. **Houd de accu uit de buurt van kinderen.**

BEWAAR DEZE INSTRUCTIES.

⚠ LET OP: Gebruik uitsluitend originele Makita accu's. Het gebruik van niet-originele accu's, of accu's die zijn gewijzigd, kan ertoe leiden dat de accu ontploft en brand, persoonlijk letsel en schade veroorzaakt. Ook vervalt daarmee de garantie van Makita op het gereedschap en de lader van Makita.

Tips voor een maximale levensduur van de accu

1. Laad de accu op voordat hij volledig ontladen is. Stop het gebruik van het gereedschap en laad de accu op telkens wanneer u vaststelt dat het vermogen van het gereedschap is afgenomen.
2. Laad een volledig opgeladen accu nooit opnieuw op. Te lang opladen verkort de levensduur van de accu.
3. Laad de accu op bij een omgevingstemperatuur tussen 10 °C en 40 °C. Laat een warme accu afkoelen alvorens hem op te laden.
4. Als de accu niet wordt gebruikt, verwijdert u hem vanaf het gereedschap of de lader.
5. Laad de accu op als u deze gedurende een lange tijd (meer dan zes maanden) niet gaat gebruiken.

BESCHRIJVING VAN DE FUNCTIES

⚠ LET OP: Zorg altijd dat het gereedschap is uitgeschakeld en de accu ervan is verwijderd alvorens de functies op het gereedschap af te stellen of te controleren.

De accu aanbrengen en verwijderen

⚠ LET OP: Schakel het gereedschap altijd uit voordat u de accu aanbrengt of verwijdert.

⚠ LET OP: Houd het gereedschap en de accu stevig vast tijdens het aanbrengen of verwijderen van de accu. Als u het gereedschap en de accu niet stevig vasthoudt, kunnen deze uit uw handen glijpen en het gereedschap of de accu beschadigen, of kan persoonlijk letsel worden veroorzaakt.

Om de accu aan te brengen lijnt u de lip op de accu uit met de groef in de behuizing en duwt u de accu op zijn plaats. Steek de accu zo ver mogelijk in het gereedschap tot u een klikgeluid hoort. Wanneer het rode deel zichtbaar is, zoals aangegeven in de afbeelding, is de accu niet geheel vergrendeld.

Om de accu te verwijderen verschuift u de knop aan de voorkant van de accu en schuift u tegelijkertijd de accu uit het gereedschap.

► Fig.1: 1. Rood deel 2. Knop 3. Accu

⚠ LET OP: Breng de accu altijd helemaal aan totdat het rode deel niet meer zichtbaar is. Als u dit niet doet, kan de accu per ongeluk uit het gereedschap vallen en u of anderen in uw omgeving verwonden.

⚠ LET OP: Breng de accu niet met kracht aan. Als de accu niet gemakkelijk in het gereedschap kan worden geschoven, wordt deze niet goed aangebracht.

De resterende acculading controleren

Alleen voor accu's met indicatorlampjes

Druk op de testknop op de accu om de resterende acculading te zien. De indicatorlampjes branden gedurende enkele seconden.

► Fig.2: 1. Indicatorlampjes 2. Testknop

| Indicatorlampjes | | | Resterende acculading |
|------------------|-----|----------|--|
| Brandt | Uit | Knippert | |
| ■ | □ | ▧ | 75% tot 100% |
| ■ | ■ | ■ | |
| ■ | ■ | □ | 50% tot 75% |
| ■ | □ | □ | 25% tot 50% |
| ■ | □ | □ | 0% tot 25% |
| ▧ | □ | □ | Laad de accu op. |
| ■ | ■ | □ | Er kan een storing zijn opgetreden in de accu. |
| □ | □ | ■ | |

OPMERKING: Afhankelijk van de gebruiksomstandigheden en de omgevingstemperatuur, is het mogelijk dat de aangegeven acculading verschilt van de werkelijke acculading.

OPMERKING: Het eerste (meest linker) indicatorlampje knippert wanneer het accubeveiligingssysteem in werking is getreden.

Gereedschap-/accubeveiligingssysteem

Het gereedschap is voorzien van een gereedschap-/accubeveiligingssysteem. Dit systeem schakelt automatisch de voeding naar de motor uit om de levensduur van het gereedschap en de accu te verlengen. Het gereedschap kan tijdens het gebruik automatisch stoppen als het gereedschap of de accu aan één van de volgende omstandigheden wordt blootgesteld:

Overbelastingsbeveiliging

Als de accu wordt gebruikt op een manier die ertoe leidt dat een abnormaal hoge stroomsterkte wordt getrokken, stopt het gereedschap automatisch zonder enige aanduiding. In dat geval schakelt u het gereedschap uit en stopt u met het gebruik dat er toe leidde dat het gereedschap overbelast raakte. Schakel vervolgens het gereedschap in om weer te starten.

Beveiliging tegen te ver ontladen

Als de acculading onvoldoende is, stopt het gereedschap automatisch. In dit geval verwijdert u de accu vanaf het gereedschap en laadt u de accu op.

Beveiliging tegen andere oorzaken

Het beveiligingssysteem is ook ontworpen voor andere oorzaken die het gereedschap kunnen beschadigen, en zorgt ervoor dat het gereedschap automatisch stopt. Voer alle volgende stappen uit om de oorzaken op te heffen, wanneer het gereedschap tijdelijk is onderbroken of tijdens het gebruik is gestopt.

1. Schakel het gereedschap uit en schakel het daarna weer in om het opnieuw te starten.
2. Laad de accu('s) op of vervang hem/ze door (een) opgeladen accu('s).
3. Laat het gereedschap en de accu('s) afkoelen.

Als geen verbetering optreedt nadat het beveiligingssysteem is gereset, neemt u contact op met uw lokale Makita-servicecentrum.

De trekkerschakelaar gebruiken

⚠ WAARSCHUWING: Alvorens de accu in het gereedschap te plaatsen, moet u altijd controleren of de trekkerschakelaar goed werkt en bij het loslaten terugkeert naar de stand "OFF".

De trekkervergrendelknop is bedoeld om te voorkomen dat er per ongeluk aan de trekkerschakelaar wordt getrokken.

Druk op de trekkervergrendelknop op positie A en trek aan de trekkerschakelaar om het gereedschap te starten. Laat de trekkerschakelaar los om te stoppen. Druk na gebruik de trekkervergrendelknop in op positie B.

- **Fig.3:** 1. Trekkervergrendelknop
2. Trekkerschakelaar

De lamp op de voorkant gebruiken

⚠ LET OP: Kijk niet direct in het lamplicht of in de lichtbron.

Knijp de trekkerschakelaar in om de lamp in te schakelen. De lamp blijft branden zo lang de trekkerschakelaar wordt ingeknepen. De lamp gaat uit vlak nadat de trekkerschakelaar is losgelaten.

- **Fig.4:** 1. Lamp

OPMERKING: Stoot niet tegen de lamp omdat deze hierdoor kan worden beschadigd of de levensduur ervan kan worden verkort.

OPMERKING: Gebruik een droge doek om vuil van de lens van de lamp af te vegen. Wees voorzichtig dat u de lens van de lamp niet bekrast omdat dan de verlichting minder wordt.

MONTAGE

⚠ LET OP: Zorg altijd dat het gereedschap is uitgeschakeld en de accu ervan is verwijderd alvorens enig werk aan het gereedschap uit te voeren.

Het bandzaagblad aanbrengen of verwijderen

⚠ LET OP: Door olie op het bandzaagblad kan deze slippen of onverwachts eraf lopen. Veeg alle overtollige olie eraf met een doek voordat het bandzaagblad wordt aangebracht.

⚠ LET OP: Draag altijd veiligheidshandschoenen wanneer u het bandzaagblad hanteert.

⚠ LET OP: Wees voorzichtig wanneer u het bandzaagblad hanteert om te vermijden dat u zich snijdt aan de scherpe rand van de zaagtanden.

⚠ LET OP: Houd uw lichaam uit de buurt van het bandzaagblad wanneer u de beweging van het zaagblad controleert.

⚠ LET OP: Als u de zaagbladspanhendel rechtsom draait om het bandzaagblad te ontspannen, houdt u het gereedschap omlaag gericht omdat het bandzaagblad onverwachts eraf kan lopen.

- **Fig.5:** 1. Spannen 2. Loszetten
3. Zaagbladspanhendel

Het bandzaagblad aanbrengen:

1. Draai de zaagbladspanhendel rechtsom tot deze stopt om de schijf los te zetten.
2. Zorg ervoor dat de richting van de pijlen op het bandzaagblad en de schijven overeenkomt.
3. Steek de niet-getande kant van het bandzaagblad in de bovenste houder en onderste houder. Zorg ervoor

dat het bandzaagblad in zowel de bovenste als de onderste houder tegen de onderste lagers komt.

- **Fig.6:** 1. Onderste houder 2. Bovenste houder
3. Onderste lagers

4. Duw tegen het midden van het bandzaagblad en leg het zaagblad op één schijf. Door de schijf in richting A te bewegen, wordt dit gemakkelijker om te doen.

- **Fig.7:** 1. Schijf 2. Rubber band

5. Leg het bandzaagblad op soortgelijke wijze om de andere schijf.

6. Leg de rand van het bandzaagblad op de rubber band.

7. Houd het bandzaagblad op zijn plaats en draai de zaagbladspanhendel linksom tot hij stopt. Hierdoor komt het bandzaagblad onder de juiste spanning te staan.

KENNISGEVING: Zorg ervoor dat het bandzaagblad goed rond de schijven is geplaatst.

KENNISGEVING: Start en stop het gereedschap twee of drie keer om er zeker van te zijn dat het bandzaagblad goed over de schijven loopt.

Om het bandzaagblad te verwijderen, volgt u de procedure voor het aanbrengen in de omgekeerde volgorde.

De stand van de aanslagplaat afstellen

Voor normaal gebruik dient de aanslagplaat zo ver mogelijk in de richting A te staan.

Als de aanslagplaat tegen een obstakel, zoals een muur of iets dergelijks, aankomt bij het eindigen van een zaagsnede, draait u de twee bouten los en schuift u de aanslagplaat in de richting B in de afbeelding. Nadat u de aanslagplaat hebt verschoven, zet u deze vast door de twee bouten stevig aan te draaien.

- **Fig.8:** 1. Aanslagplaat 2. Bouten 3. Bandzaagblad

De haak aanbrengen

Optioneel accessoire

⚠ LET OP: Gebruik de haak niet voor andere doeleinden dan het tijdelijk ophangen van het gereedschap. Als u dat toch doet, kan de haak losraken van het gereedschap en persoonlijk letsel veroorzaken.

De haak is handig om het gereedschap aan op te hangen. Hang het gereedschap aan een buis of soortgelijke, geschikte en stabiele constructie.

Om de haak aan te brengen, plaatst u de haak langs de groef en bevestigt u hem met de twee schroeven.

- **Fig.9:** 1. Haak 2. Schroeven

BEDIENING

⚠ LET OP: Druk de accu altijd stevig aan totdat die op zijn plaats vastklikt. Wanneer het rode deel aan de bovenkant van de knop nog zichtbaar is, zit de accu er nog niet helemaal in. Schuif hem er helemaal in totdat het rode deel niet meer zichtbaar is. Als u dit nalaat, zou de accu uit het gereedschap kunnen vallen en uzelf of anderen kunnen verwonden.

⚠ LET OP: Houd altijd de voorhandgreep en achterhandgreep vast. Houd het gereedschap nooit vast aan de behuizing of de beschermkappen. Uw handen kunnen van deze plaatsen afglijden en het bandzaagblad raken. Dit kan leiden tot persoonlijk letsel.

⚠ LET OP: Zorg ervoor dat u het gereedschap stevig vasthoudt wanneer u het gereedschap in- of uitschakelt en tijdens het zagen. Anders kan het gereedschap vallen en persoonlijk letsel veroorzaken.

OPMERKING: Tijdens het zagen van metaal adviseren wij u handschoenen te dragen om uw handen te beschermen tegen rondvliegende hete metaaldeeltjes.

Voor stabiel zagen moeten altijd minstens twee zaagtanden in de zaagsnede blijven staan.

► Fig.10

Breng het bandzaagblad in de juiste zaagstand op het werkstuk, zoals aangegeven in de afbeelding.

► Fig.11

1. Houd het gereedschap met beide handen vast, zoals aangegeven in de afbeelding.

Voordat u het gereedschap inschakelt, controleert u of de aanslagplaat het werkstuk raakt en of het bandzaagblad vrij is van het werkstuk.

► Fig.12

2. Schakel het gereedschap in en wacht totdat het bandzaagblad op maximaal toerental draait. Breng voorzichtig het zaagblad omlaag in de snede. Door het gewicht van het gereedschap of door het gereedschap licht omlaag te duwen is er voldoende druk voor het zagen. Forceer het gereedschap niet.

► Fig.13

3. Wanneer u het einde van de zaagsnede bereikt, stopt u met duwen en tilt u het gereedschap iets op zodat het niet tegen het werkstuk valt.

KENNISGEVING: Als u een buitensporig grote druk uitoefent op het gereedschap of het bandzaagblad verbuigt, kan een schuine zaagsnede ontstaan of het bandzaagblad beschadigd worden.

KENNISGEVING: Als u het gereedschap gedurende een lang tijd niet denkt te gaan gebruiken, verwijdert u het bandzaagblad van het gereedschap.

KENNISGEVING: Als het gereedschap continu wordt bediend totdat de accu leeg is, laat u het gereedschap gedurende 15 minuten liggen alvorens verder te werken met een volle accu.

De uitlijning van het zaagblad afstellen

Wanneer het bandzaagblad van de schijf af nijgt te slippen, stelt u de uitlijning van het zaagblad af. Om af te stellen, steekt u de inbussleutel in het afstelgat, zoals aangegeven in de afbeelding, en draait u deze een kwartslag rechtsom. Controleer daarna of het bandzaagblad niet eraf slipt.

Als deze nog steeds eraf slipt, draait u nog een kwartslag verder tot het bandzaagblad niet meer eraf slipt.

► Fig.14: 1. Inbussleutel 2. Afstelgat

Smeermiddel

⚠ LET OP: Gebruik nooit snijolie en breng geen overdadige hoeveelheid snijwas aan op het bandzaagblad. Hierdoor kan het zaagblad slippen of onverwachts eraf lopen.

⚠ LET OP: Bij het zagen van gietijzer, mag u geen snijwas gebruiken.

Gebruik tijdens het zagen van metaal snijwas van Makita als smeermiddel. Breng de snijwas op de tangen van het bandzaagblad aan door de dop van de snijwas af te halen, het gereedschap te starten en in de snijwas te zagen, zoals aangegeven in de afbeelding.

► Fig.15: 1. Snijwas

ONDERHOUD

⚠ LET OP: Zorg altijd dat het gereedschap is uitgeschakeld en de accu ervan is verwijderd alvorens te beginnen met onderhoud of inspectie.

KENNISGEVING: Gebruik nooit benzine, wasbenzine, thinner, alcohol en dergelijke. Hierdoor kunnen verkleuring, vervormingen en barsten worden veroorzaakt.

Om de VEILIGHEID en BETROUWBAARHEID van het gereedschap te handhaven, dienen alle reparaties, onderhoud of afstellingen te worden uitgevoerd bij een erkend Makita-servicecentrum of de Makita-fabriek, en altijd met gebruik van Makita-vervangingsonderdelen.

Reinigen

⚠ LET OP: Snijwas en metaaldeeltjes op de rubber banden kunnen het bandzaagblad doen slippen en onverwachts eraf doen lopen. Gebruik een droge doek om de was en metaaldeeltjes van de rubber banden af te vegen.

Verwijder na gebruik snijwas, metaaldeeltjes en stof vanaf het gereedschap, de rubber banden om de schijven en het bandzaagblad.

De rubber banden om de schijven vervangen

Vervang de rubber banden wanneer het bandzaagblad slijpt of niet goed aangrijpt vanwege ernstig versleten rubber banden.

Als u de rubber banden wilt vervangen, raadpleegt u een erkend Makita-servicecentrum of het fabrieksservicecentrum.

OPTIONELE ACCESSOIRES

⚠ LET OP: Deze accessoires of hulpstukken worden aanbevolen voor gebruik met het Makita gereedschap dat in deze gebruiksaanwijzing is beschreven. Bij gebruik van andere accessoires of hulpstukken bestaat het gevaar van persoonlijke letsel. Gebruik de accessoires of hulpstukken uitsluitend voor hun bestemde doel.

Wenst u meer bijzonderheden over deze accessoires, neem dan contact op met het plaatselijke Makita-servicecentrum.

- Originele Makita accu's en acculaders
- Bandzaagbladen
- Inbussleutel 4
- Snijwas
- Haak
- Schijfafdekking

KENNISGEVING: Wanneer u de schijfafdekking open maakt, opent en ontgrendelt u tegelijkertijd beide vergrendelingen. Als slechts één vergrendeling wordt geopend, kan een barst in de schijfafdekking ontstaan.

► Fig.16: 1. Schijfafdekking 2. Vergrendeling

OPMERKING: Sommige items op de lijst kunnen zijn inbegrepen in de doos van het gereedschap als standaard toebehoren. Deze kunnen van land tot land verschillen.

ESPECIFICACIONES

| | | |
|--|------------------------------|--------------------------|
| Modelo: | | DPB182 |
| Capacidad máxima de corte | Pieza de trabajo redonda | 64 mm diá. |
| | Pieza de trabajo rectangular | 64 mm x 64 mm |
| Velocidad de la hoja | | 3,2 m/s (190 m/min) |
| Tamaño de la hoja | Longitud | 835 mm |
| | Anchura | 13 mm |
| | Grosor | 0,5 mm |
| Dimensiones (La x An x Al) sin la cubierta del disco | | 477 mm x 197 mm x 229 mm |
| Tensión nominal | | CC 18 V |
| Peso neto sin la cubierta del disco | | 3,8 - 4,1 kg |

- Debido a nuestro continuado programa de investigación y desarrollo, las especificaciones aquí dadas están sujetas a cambios sin previo aviso.
- Las especificaciones pueden ser diferentes de país a país.
- El peso puede variar en función del accesorio o los accesorios, incluyendo el cartucho de batería. La combinación menos pesada y la más pesada se muestran en la tabla.

Cartucho de batería y cargador aplicables

| | |
|---------------------|---|
| Cartucho de batería | BL1815N / BL1820B / BL1830B / BL1840B / BL1850B / BL1860B |
| Cargador | DC18RC / DC18RD / DC18RE / DC18SD / DC18SE / DC18SF / DC18SH / DC18WC |

- Algunos de los cartuchos de batería y cargadores indicados arriba puede que no estén disponibles dependiendo de su región de residencia.

⚠ADVERTENCIA: Utilice solamente los cartuchos de batería y cargadores listados arriba. La utilización de cualquier otro cartucho de batería y cargador puede ocasionar heridas y/o un incendio.

Uso previsto

La herramienta ha sido prevista para cortar en plástico y materiales ferrosos.

Ruido

El nivel de ruido A-ponderado típico determinado de acuerdo con la norma EN60745-2-20:

Nivel de presión sonora (L_{pA}) : 79 dB (A)

Error (K) : 3 dB (A)

El nivel de ruido en situación de trabajo puede exceder 80 dB (A).

NOTA: El valor (o los valores) de emisión de ruido declarado ha sido medido de acuerdo con un método de prueba estándar y se puede utilizar para comparar una herramienta con otra.

NOTA: El valor (o valores) de emisión de ruido declarado también se puede utilizar en una valoración preliminar de exposición.

⚠ADVERTENCIA: Póngase protectores para oídos.

⚠ADVERTENCIA: La emisión de ruido durante la utilización real de la herramienta eléctrica puede variar del valor (o los valores) de emisión declarado dependiendo de las formas en las que la herramienta sea utilizada, especialmente qué tipo de pieza de trabajo se procesa.

⚠ADVERTENCIA: Asegúrese de identificar medidas de seguridad para proteger al operario que estén basadas en una estimación de la exposición en las condiciones reales de utilización (teniendo en cuenta todas las partes del ciclo operativo como las veces cuando la herramienta está apagada y cuando está funcionando en vacío además del tiempo de gatillo).

Vibración

El valor total de la vibración (suma de vectores triaxiales) determinado de acuerdo con la norma EN60745-2-20:

Modo de trabajo: corte de metal

Emisión de vibración ($a_{h,CM}$): 2,5 m/s² o menos

Error (K) : 1,5 m/s²

NOTA: El valor (o los valores) total de emisión de vibración declarado ha sido medido de acuerdo con un método de prueba estándar y se puede utilizar para comparar una herramienta con otra.

NOTA: El valor (o los valores) total de emisión de vibración declarado también se puede utilizar en una valoración preliminar de exposición.

⚠️ ADVERTENCIA: La emisión de vibración durante la utilización real de la herramienta eléctrica puede variar del valor (o los valores) de emisión declarado dependiendo de las formas en las que la herramienta sea utilizada, especialmente qué tipo de pieza de trabajo se procesa.

⚠️ ADVERTENCIA: Asegúrese de identificar medidas de seguridad para proteger al operario que estén basadas en una estimación de la exposición en las condiciones reales de utilización (teniendo en cuenta todas las partes del ciclo operativo como las veces cuando la herramienta está apagada y cuando está funcionando en vacío además del tiempo de gatillo).

Declaraciones de conformidad

Para países europeos solamente

Las declaraciones de conformidad están incluidas como Anexo A de este manual de instrucciones.

ADVERTENCIAS DE SEGURIDAD

Advertencias de seguridad para herramientas eléctricas en general

⚠️ ADVERTENCIA Lea todas las advertencias de seguridad, instrucciones, ilustraciones y especificaciones provistas con esta herramienta eléctrica. Si no sigue todas las instrucciones indicadas abajo, podrá resultar en una descarga eléctrica, un incendio y/o heridas graves.

Guarde todas las advertencias e instrucciones para futuras referencias.

El término "herramienta eléctrica" en las advertencias se refiere a su herramienta eléctrica de funcionamiento con conexión a la red eléctrica (con cable) o herramienta eléctrica de funcionamiento a batería (sin cable).

Advertencias de seguridad para la sierra de banda portátil inalámbrica

1. Cuando realice una operación en la que el accesorio de corte pueda entrar en contacto con cableado oculto, sujete la herramienta eléctrica por las superficies de asimiento aisladas. El contacto de los accesorios de corte

con un cable con corriente hará que la corriente circule por las partes metálicas expuestas de la herramienta eléctrica y podrá soltar una descarga eléctrica al operario.

Advertencias de seguridad adicionales:

2. Utilice solamente hojas que estén indicadas en las "ESPECIFICACIONES".
3. Compruebe la hoja cuidadosamente por si tiene grietas o daños antes de comenzar la operación. Reemplace la hoja agrietada o dañada inmediatamente.
4. Sujete la pieza de trabajo firmemente. Cuando corte un manojo de piezas de trabajo, asegúrese de que todas las piezas de trabajo estén sujetadas juntas firmemente antes de cortar.
5. Cortar piezas de trabajo cubiertas de aceite puede ocasionar que la hoja se suelte inesperadamente. Limpie todo el exceso de aceite de las piezas de trabajo antes de cortar.
6. No utilice nunca el aceite para cortar como un lubricante para cortar. Utilice solamente cera para cortar de Makita.
7. No se ponga guantes durante la operación.
8. Sujete la herramienta firmemente con ambas manos.
9. Mantenga las manos alejadas de las partes giratorias.
10. Cuando corte metal, tenga cuidado de las virutas calientes que salen volando.
11. No deje la herramienta en marcha sin atender.
12. No toque la hoja ni la pieza de trabajo inmediatamente después de la operación; podrán estar muy caliente y quemarle la piel.
13. Antes de la operación, asegúrese de que no hay objetos enterrados como tubos de cables eléctricos, tuberías de agua o tuberías de gas en el área de trabajo. De lo contrario, la hoja de sierra de banda podrá tocarlos, resultando en una descarga eléctrica, fuga eléctrica o fuga de gas.

GUARDE ESTAS INSTRUCCIONES.

⚠️ ADVERTENCIA: NO deje que la comodidad o familiaridad con el producto (a base de utilizarlo repetidamente) sustituya la estricta observancia de las normas de seguridad para el producto en cuestión. El MAL USO o el no seguir las normas de seguridad establecidas en este manual de instrucciones podrá ocasionar graves heridas personales.

Instrucciones de seguridad importantes para el cartucho de batería

1. Antes de utilizar el cartucho de batería, lea todas las instrucciones e indicaciones de precaución sobre (1) el cargador de baterías, (2) la batería, y (3) el producto con el que se utiliza la batería.
2. No desensamble ni manipule el cartucho de batería. Podrá resultar en un incendio, calor excesivo, o una explosión.

3. Si el tiempo de uso se acorta demasiado, cese la operación inmediatamente. Podría resultar en un riesgo de recalentamiento, posibles quemaduras e incluso una explosión.
4. Si entra electrolito en sus ojos, aclárelos con agua limpia y acuda a un médico inmediatamente. Existe el riesgo de poder perder la vista.
5. **No cortocircuite el cartucho de batería:**
 - (1) No toque los terminales con ningún material conductor.
 - (2) Evite guardar el cartucho de batería en un cajón junto con otros objetos metálicos, como clavos, monedas, etc.
 - (3) No exponga el cartucho de batería al agua ni a la lluvia.

Un cortocircuito en la batería puede producir una gran circulación de corriente, un recalentamiento, posibles quemaduras e incluso una rotura de la misma.

6. No guarde ni utilice la herramienta y el cartucho de batería en lugares donde la temperatura pueda alcanzar o exceder los 50 °C.
7. Nunca incinere el cartucho de batería incluso en el caso de que esté dañado seriamente o ya no sirva en absoluto. El cartucho de batería puede explotar si se tira al fuego.
8. No clave, corte, aplaste, lance, deje caer el cartucho de batería, ni golpee contra un objeto duro el cartucho de batería. Tal conducta podrá resultar en un incendio, calor excesivo, o una explosión.
9. No utilice una batería dañada.
10. **Las baterías de litio-ion contenidas están sujetas a los requisitos de la Legislación para Materiales Peligrosos.**
Para transportes comerciales, p.ej., por terceras personas y agentes de transportes, se deberán observar requisitos especiales para el empaquetado y etiquetado.
Para la preparación del artículo que se va a enviar, se requiere consultar con un experto en materiales peligrosos. Por favor, observe también la posibilidad de reglamentos nacionales más detallados.
Cubra con cinta aislante o enmascare los contactos expuestos y empaquete la batería de tal manera que no se pueda mover alrededor dentro del embalaje.
11. **Para desechar el cartucho de batería, retírelo de la herramienta y deséchelo en un lugar seguro. Siga los reglamentos locales referentes al desecho de la batería.**
12. **Utilice las baterías solamente con los productos especificados por Makita.** La instalación de las baterías en productos no compatibles puede resultar en un incendio, calor excesivo, explosión, o fuga de electrolito.
13. Si la herramienta no va a ser utilizada durante un periodo de tiempo largo, la batería deberá ser retirada de la herramienta.
14. Durante y después de la utilización, el cartucho de batería podrá acumular calor, lo cual puede ocasionar quemaduras o quemaduras de baja temperatura. Preste atención al manejo

de cartuchos de batería calientes.

15. **No toque el terminal de la herramienta inmediatamente después de utilizar, dado que puede calentarse lo suficiente como para ocasionar quemaduras.**
16. **No permita que virutas, polvo, o tierra se adhieran dentro de los terminales, orificios, y ranuras del cartucho de batería.** Esto podría ocasionar calentamiento, que coja fuego, reviente y un mal funcionamiento de la herramienta o el cartucho de batería, resultando en quemaduras o heridas personales.
17. **A menos que la herramienta pueda utilizarse cerca de cables eléctricos de alta tensión, no utilice el cartucho de batería cerca de cables eléctricos de alta tensión.** Podrá resultar en un mal funcionamiento o rotura de la herramienta o el cartucho de batería.
18. **Mantenga la batería alejada de los niños.**

GUARDE ESTAS INSTRUCCIONES.

⚠PRECAUCIÓN: Utilice solamente baterías genuinas de Makita. La utilización de baterías no genuinas de Makita, o baterías que han sido alteradas, puede resultar en una explosión de la batería ocasionando incendios, heridas personales y daños. También anulará la garantía de Makita para la herramienta y el cargador de Makita.

Consejos para alargar al máximo la vida de servicio de la batería

1. **Cargue el cartucho de batería antes de que se descargue completamente. Detenga siempre la operación y cargue el cartucho de batería cuando note menos potencia en la herramienta.**
2. **No cargue nunca un cartucho de batería que esté completamente cargado. La sobrecarga acortará la vida de servicio de la batería.**
3. **Cargue el cartucho de batería a temperatura ambiente de 10 °C - 40 °C. Si un cartucho de batería está caliente, déjelo enfriar antes de cargarlo.**
4. **Cuando no esté utilizando el cartucho de batería, retírelo de la herramienta o del cargador.**
5. **Cargue el cartucho de batería si no lo utiliza durante un periodo de tiempo prolongado (más de seis meses).**

DESCRIPCIÓN DEL FUNCIONAMIENTO

⚠PRECAUCIÓN: Asegúrese siempre de que la herramienta está apagada y el cartucho de batería retirado antes de realizar cualquier ajuste o comprobación en la herramienta.

Instalación o extracción del cartucho de batería

⚠️ PRECAUCIÓN: Apague siempre la herramienta antes de instalar o retirar el cartucho de batería.

⚠️ PRECAUCIÓN: Sujete la herramienta y el cartucho de batería firmemente cuando instale o retire el cartucho de batería. Si no sujeta la herramienta y el cartucho de batería firmemente podrán caérsele de las manos y resultar en daños a la herramienta y al cartucho de batería y heridas personales.

Para instalar el cartucho de batería, alinee la lengüeta del cartucho de batería con la ranura del alojamiento y deslícelo al interior hasta encajarlo en su sitio. Insértelo por completo hasta que se bloquee en su sitio con un pequeño chasquido. Si puede ver el indicador rojo como se muestra en la figura, no estará bloqueado completamente.

Para retirar el cartucho de batería, deslícelo de la herramienta mientras desliza el botón de la parte frontal del cartucho.

► **Fig.1:** 1. Indicador rojo 2. Botón 3. Cartucho de batería

⚠️ PRECAUCIÓN: Instale siempre el cartucho de batería completamente hasta que no pueda verse el indicador rojo. En caso contrario, podrá caerse accidentalmente de la herramienta y ocasionarle heridas a usted o a alguien que esté cerca de usted.

⚠️ PRECAUCIÓN: No instale el cartucho de batería empleando fuerza. Si el cartucho no se desliza al interior fácilmente, será porque no está siendo insertado correctamente.

Modo de indicar la capacidad de batería restante

Solamente para cartuchos de batería con el indicador

Presione el botón de comprobación en el cartucho de batería para indicar la capacidad de batería restante. Las lámparas indicadoras se iluminan durante unos pocos segundos.

► **Fig.2:** 1. Lámparas indicadoras 2. Botón de comprobación

| Lámparas indicadoras | | | Capacidad restante |
|----------------------|---------|-------------|--------------------|
| Iluminada | Apagada | Parpadeando | |
| ■ | □ | ◐ | |
| ■ ■ ■ ■ | | | 75% a 100% |
| ■ ■ ■ □ | | | 50% a 75% |
| ■ ■ □ □ | | | 25% a 50% |
| ■ □ □ □ | | | 0% a 25% |

| Lámparas indicadoras | | | Capacidad restante |
|----------------------|---------|-------------|--|
| Iluminada | Apagada | Parpadeando | |
| ◐ | □ □ □ | | Cargue la batería. |
| ■ ■ □ □ | ↑ ↓ | ■ ■ | Puede que la batería no esté funcionando bien. |

NOTA: Dependiendo de las condiciones de utilización y de la temperatura ambiente, la indicación podrá variar ligeramente de la capacidad real.

NOTA: La primera lámpara indicadora (extremo izquierdo) parpadeará cuando el sistema de protección de la batería esté funcionando.

Sistema de protección de la herramienta / batería

La herramienta está equipada con un sistema de protección de la herramienta/batería. Este sistema corta automáticamente la alimentación al motor para alargar la vida de servicio de la herramienta y la batería. La herramienta se detendrá automáticamente durante la operación si la herramienta o la batería es puesta en una de las condiciones siguientes:

Protección contra sobrecarga

Cuando la batería sea operada de manera que le haga extraer una corriente anormalmente alta, la herramienta se detendrá automáticamente sin ninguna indicación. En esta situación, apague la herramienta y detenga la aplicación que ocasiona la sobrecarga de la herramienta. Después encienda la herramienta para volver a empezar.

Protección contra descarga excesiva

Cuando la capacidad de batería no es suficiente, la herramienta se detiene automáticamente. En este caso, retire la batería de la herramienta y cargue la batería.

Protección contra otras causas

El sistema de protección también ha sido diseñado para otras causas que pueden dañar la herramienta y permite a la herramienta detenerse automáticamente. Realice todos los pasos siguientes para despejar las causas, cuando la herramienta haya sido llevada a una pausa temporal o a una parada en la operación.

1. Apague la herramienta, y después vuelva a encenderla para volver a comenzar.
2. Cargue la batería(s) o reemplácela(s) con una batería(s) regargada(s).
3. Deje que la herramienta y la batería(s) se enfríen.

Si no se nota una mejora al restablecer el sistema de protección, póngase en contacto con el centro de servicio Makita local.

Accionamiento del interruptor

⚠ADVERTENCIA: Antes de insertar el cartucho de batería en la herramienta, compruebe siempre para cerciorarse de que el gatillo interruptor se acciona debidamente y que vuelve a la posición "OFF" cuando lo suelta.

Para evitar que el gatillo interruptor pueda ser apretado accidentalmente, se ha provisto el botón de bloqueo del gatillo.

Para poner en marcha la herramienta, presione hacia dentro el botón de bloqueo del gatillo desde el lado A y apriete el gatillo interruptor. Suelte el gatillo interruptor para parar. Después de utilizar, presione hacia dentro el botón de bloqueo del gatillo desde el lado B.

► **Fig.3:** 1. Botón de bloqueo del gatillo 2. Gatillo interruptor

Encendido de la lámpara delantera

⚠PRECAUCIÓN: No mire a la luz ni vea la fuente de luz directamente.

Apriete el gatillo interruptor para encender la lámpara. La lámpara seguirá encendida mientras el gatillo interruptor esté siendo apretado. La lámpara se apagará justo después de haber soltado el gatillo interruptor.

► **Fig.4:** 1. Lámpara

NOTA: No aplique impactos a la lámpara, los cuales podrán ocasionar daños o reducir el tiempo de servicio de la misma.

NOTA: Utilice un paño seco para quitar la suciedad de la lente de la lámpara. Tenga cuidado de no rayar la lente de la lámpara, porque podrá disminuir la iluminación.

MONTAJE

⚠PRECAUCIÓN: Asegúrese siempre de que la herramienta está apagada y el cartucho de batería retirado antes de realizar cualquier trabajo en la herramienta.

Instalación o desmontaje de la hoja de sierra de banda

⚠PRECAUCIÓN: El aceite en la hoja de sierra de banda puede ocasionar que la hoja deslice o se suelte inesperadamente. Limpie todo el exceso de aceite con un paño antes de instalar la hoja de sierra de banda.

⚠PRECAUCIÓN: Póngase siempre guantes de protección cuando maneje la hoja de sierra de banda.

⚠PRECAUCIÓN: Tenga precaución cuando maneje la hoja de sierra de banda para evitar cortarse con el borde cortante de los dientes de la hoja.

⚠PRECAUCIÓN: Mantenga su cuerpo alejado de la hoja de sierra de banda cuando compruebe el movimiento de la hoja.

⚠PRECAUCIÓN: Cuando gire la palanca de apriete de la hoja hacia la derecha para liberar la tensión de la hoja de sierra de banda, oriente la herramienta hacia abajo porque la hoja de sierra de banda se puede soltar inesperadamente.

► **Fig.5:** 1. Apretar 2. Aflojar 3. Palanca de apriete de la hoja

Para instalar la hoja de sierra de banda:

1. Gire la palanca de apriete de la hoja hacia la derecha hasta que se detenga para aflojar el disco.
2. Haga coincidir la dirección de las flechas de la hoja de sierra de banda y la de las de los discos.
3. Inserte el lado sin dientes de la hoja de sierra de banda en el soporte superior y el soporte inferior. Asegúrese de que la hoja de sierra de banda toca los cojinetes inferiores tanto en el soporte superior como el soporte inferior.

► **Fig.6:** 1. Soporte inferior 2. Soporte superior 3. Cojinete inferior

4. Mientras presiona la parte central de la hoja de sierra de banda, ponga la hoja alrededor de un disco. Mover el disco hacia el lado A facilitará hacerlo.

► **Fig.7:** 1. Disco 2. Neumático de goma

5. Ponga la hoja de sierra de banda en el otro disco de manera similar.
6. Ponga el borde de la hoja de sierra de banda en el neumático de goma.
7. Sujete la hoja de sierra de banda en su sitio y gire la palanca de apriete de la hoja hacia la izquierda hasta que se detenga. Esto aplica la tensión apropiada a la hoja de sierra de banda.

AVISO: Asegúrese de que la hoja de sierra de banda está posicionada correctamente alrededor de los discos.

AVISO: Ponga en marcha y detenga la herramienta dos o tres veces para asegurarse de que la hoja de sierra de banda se desplaza debidamente en los discos.

Para retirar la hoja de sierra de banda, siga el procedimiento de instalación a la inversa.

Ajuste de la posición de la placa de retención

En la operación normal, haga que la placa de retención sobresalga por el lado A completamente. Cuando la placa de retención golpee contra los obstáculos como una pared o por el estilo al final de un corte, afloje los dos pernos y deslícela hacia el lado B en la figura.

Después de deslizar la placa de retención, sujétela apretando los dos pernos firmemente.

► **Fig.8:** 1. Placa de retención 2. Pernos 3. Hoja de sierra de banda

Instalación del gancho

Accesorios opcionales

⚠ PRECAUCIÓN: No utilice el gancho para otro propósito distinto de para colgar la herramienta temporalmente. Si lo hace podrá ocasionar que el gancho se suelte de la herramienta y resultar en heridas personales.

El gancho es útil para colgar la herramienta. Cuelgue la herramienta en un tornillo de banco para tubos u otra estructura estable apropiada.

Para instalar el gancho, coloque el gancho a lo largo de la acanaladura y apriételo con dos tornillos.

► **Fig.9:** 1. Gancho 2. Tornillos

OPERACIÓN

⚠ PRECAUCIÓN: Inserte siempre el cartucho de batería a tope hasta que se bloquee en su sitio. Si puede ver el indicador rojo en el lado superior del botón, no estará bloqueado completamente. Insértelo completamente hasta que el indicador rojo no pueda verse. En caso contrario, podrá caerse accidentalmente de la herramienta y ocasionarle heridas a usted o a alguien que esté cerca de usted.

⚠ PRECAUCIÓN: Sujete siempre los mangos delantero y trasero. No sujete nunca el cuerpo de la herramienta o los protectores. Las manos se podrán deslizar de estos lugares y hacer contacto con la hoja de sierra de banda. Podrá resultar en heridas personales.

⚠ PRECAUCIÓN: Asegúrese de sujetar la herramienta firmemente cuando la encienda o la apague o cuando corte. De lo contrario la herramienta se podrá caer y ocasionar heridas personales.

NOTA: Cuando corte metal, se recomienda ponerse guantes para proteger sus manos de las virutas que salen volando.

Para un corte estable, mantenga siempre al menos dos dientes en el corte.

► **Fig.10**

Aplique la hoja de sierra de banda a la posición de corte apropiada de la pieza de trabajo como se muestra en la ilustración.

► **Fig.11**

1. Sujete la herramienta con ambas manos como se muestra en la ilustración.

Antes de poner en marcha la herramienta, asegúrese siempre de que la placa de retención hace contacto con la pieza de trabajo y la hoja de sierra de banda está separada de la pieza de trabajo.

► **Fig.12**

2. Encienda la herramienta y espere hasta que la hoja de sierra de banda adquiera plena velocidad. Baje con cuidado la hoja hasta el corte. Con el peso de la herramienta o presionando ligeramente la herramienta se proporcionará la presión adecuada para el corte. No fuerce la herramienta.

► **Fig.13**

3. Conforme alcance el final de un corte, libere la presión y levante la herramienta ligeramente de forma que no se caiga contra la pieza de trabajo.

AVISO: Aplicar una presión excesiva a la herramienta o retorcer la hoja de sierra de banda puede ocasionar un corte en bisel o daños a la hoja.

AVISO: Cuando no vaya a utilizar la herramienta durante largo tiempo, retire la hoja de sierra de banda de la herramienta.

AVISO: Si la herramienta es utilizada continuamente hasta que el cartucho de batería se haya descargado, deje descansar la herramienta durante 15 minutos antes de proceder con una batería cargada.

Ajuste de la trayectoria de la hoja

Cuando la hoja de sierra de banda tienda a deslizarse fuera del disco, ajuste la trayectoria de la hoja.

Para ajustar, inserte la llave hexagonal en el agujero de ajuste como se muestra en la ilustración y gire un cuarto de vuelta hacia la derecha. Después, compruebe si la hoja de sierra de banda no se desliza fuera del disco.

Si todavía se desliza fuera del disco, gire otro cuarto de vuelta y compruebe hasta que la hoja de sierra de banda no se deslice fuera del disco.

► **Fig.14:** 1. Llave hexagonal 2. Agujero de ajuste

Lubricante para cortar

⚠ PRECAUCIÓN: No utilice nunca aceite para cortar ni aplique una cantidad excesiva de cera a la hoja de sierra de banda. Podrá ocasionar que la hoja se deslice o se suelte inesperadamente.

⚠ PRECAUCIÓN: Cuando corte hierro forjado, no utilice ninguna cera para cortar.

Cuando corte metales, utilice la cera para cortar de Makita como lubricante para cortar. Para aplicar la cera para cortar a los dientes de la hoja de sierra de banda, retire una tapa de la cera para cortar, ponga en marcha la herramienta y corte en la cera como se muestra en la ilustración.

► **Fig.15:** 1. Cera para cortar

MANTENIMIENTO

⚠ PRECAUCIÓN: Asegúrese siempre de que la herramienta está apagada y de que el cartucho de batería está retirado antes de intentar hacer una inspección o mantenimiento.

AVISO: No utilice nunca gasolina, bencina, disolvente, alcohol o similares. Podría producir descoloración, deformación o grietas.

Para mantener la SEGURIDAD y FIABILIDAD del producto, las reparaciones, y cualquier otra tarea de mantenimiento o ajuste deberán ser realizadas en centros de servicio o de fábrica autorizados por Makita, empleando siempre repuestos Makita.

Limpieza

⚠ PRECAUCIÓN: La cera y las virutas en los neumáticos de goma de los discos pueden ocasionar que la hoja de sierra de banda se deslice y se suelte inesperadamente. Utilice un paño seco para retirar la cera y las virutas de los neumáticos de goma.

Después de la utilización, retire la cera, las virutas y el polvo de la herramienta, los neumáticos de goma de los discos y la hoja de sierra de banda.

Reemplazo de los neumáticos de goma de los discos

Reemplace los neumáticos de goma cuando la hoja de sierra de banda se deslice o no siga debidamente la trayectoria porque los neumático de goma están gastados.

Para reemplazar el neumático de goma, pregunte en centros de servicio autorizados o de fábrica de Makita.

ACCESORIOS OPCIONALES

⚠ PRECAUCIÓN: Estos accesorios o aditamentos están recomendados para su uso con la herramienta Makita especificada en este manual.

El uso de cualquier otro accesorio o aditamento puede suponer un riesgo de heridas personales. Utilice el accesorio o aditamento solamente con la finalidad indicada para el mismo.

Si necesita cualquier ayuda para más detalles en relación con estos accesorios, pregunte al centro de servicio Makita local.

- Batería y cargador genuinos de Makita
- Hojas de sierra de banda
- Llave hexagonal de 4
- Cera para cortar
- Gancho
- Cubierta del disco

AVISO: Cuando abra la cubierta del disco, abra y libere ambos ganchos simultáneamente. Abrir un gancho solamente podrá ocasionar que la cubierta del disco se agriete.

► Fig.16: 1. Cubierta del disco 2. Gancho

NOTA: Algunos elementos de la lista podrán estar incluidos en el paquete de la herramienta como accesorios estándar. Pueden variar de un país a otro.

ESPECIFICAÇÕES

| | | |
|---|-----------------------------|--------------------------|
| Modelo: | | DPB182 |
| Capacidade máxima de corte | Peça de trabalho redonda | 64 mm diâm. |
| | Peça de trabalho retangular | 64 mm x 64 mm |
| Velocidade da lâmina | | 3,2 m/s (190 m/min) |
| Tamanho da lâmina | Comprimento | 835 mm |
| | Largura | 13 mm |
| | Espessura | 0,5 mm |
| Dimensões (C x L x A) sem tampa da roda | | 477 mm x 197 mm x 229 mm |
| Voltagem nominal | | CC 18 V |
| Peso líquido sem tampa da roda | | 3,8 - 4,1 kg |

- Devido a um programa contínuo de pesquisa e desenvolvimento, estas especificações estão sujeitas a alteração sem aviso prévio.
- As especificações podem variar de país para país.
- O peso poderá diferir em função do(s) acessório(s), incluindo a bateria. A combinação mais leve e a mais pesada são apresentadas na tabela.

Bateria e carregador aplicável

| | |
|------------|---|
| Bateria | BL1815N / BL1820B / BL1830B / BL1840B / BL1850B / BL1860B |
| Carregador | DC18RC / DC18RD / DC18RE / DC18SD / DC18SE / DC18SF / DC18SH / DC18WC |

- Algumas das baterias e carregadores listados acima poderão não estar disponíveis, dependendo da sua região de residência.

⚠AVISO: Utilize apenas as baterias e carregadores listados acima. A utilização de quaisquer outras baterias e carregadores pode causar ferimentos e/ou um incêndio.

Utilização a que se destina

A ferramenta destina-se a cortar plástico e materiais ferrosos.

Ruído

A característica do nível de ruído A determinado de acordo com a EN60745-2-20:

Nível de pressão acústica (L_{pA}): 79 dB (A)

Variabilidade (K): 3 dB (A)

O nível de ruído durante o funcionamento pode exceder 80 dB (A).

NOTA: O(s) valor(es) da emissão de ruído indicado(s) foi medido de acordo com um método de teste padrão e pode ser utilizado para comparar duas ferramentas.

NOTA: O(s) valor(es) da emissão de ruído indicado(s) pode também ser utilizado na avaliação preliminar da exposição.

⚠AVISO: Utilize protetores auriculares.

⚠AVISO: A emissão de ruído durante a utilização real da ferramenta elétrica pode diferir do(s) valor(es) indicado(s), dependendo das formas como a ferramenta é utilizada, especialmente o tipo de peça de trabalho que é processada.

⚠AVISO: Certifique-se de identificar as medidas de segurança para proteção do operador que sejam baseadas em uma estimativa de exposição em condições reais de utilização (considerando todas as partes do ciclo de operação, tal como quando a ferramenta está desligada e quando está a funcionar em marcha lenta além do tempo de acionamento).

Vibração

Valor total da vibração (soma vetorial tri-axial) determinado de acordo com a EN60745-2-20:

Modo de trabalho: cortar metal

Emissão de vibrações ($a_{h,CM}$): 2,5 m/s² ou menos

Variabilidade (K): 1,5 m/s²

NOTA: O(s) valor(es) total(ais) de vibração indicado(s) foi medido de acordo com um método de teste padrão e pode ser utilizado para comparar duas ferramentas.

NOTA: O(s) valor(es) total(ais) de vibração indicado(s) pode também ser utilizado na avaliação preliminar da exposição.

⚠️ AVISO: A emissão de vibração durante a utilização real da ferramenta elétrica pode diferir do(s) valor(es) indicado(s), dependendo das formas como a ferramenta é utilizada, especialmente o tipo de peça de trabalho que é processada.

⚠️ AVISO: Certifique-se de identificar as medidas de segurança para proteção do operador que sejam baseadas em uma estimativa de exposição em condições reais de utilização (considerando todas as partes do ciclo de operação, tal como quando a ferramenta está desligada e quando está a funcionar em marcha lenta além do tempo de acionamento).

Declarações de conformidade

Apenas para os países europeus

As Declarações de conformidade estão incluídas no Anexo A deste manual de instruções.

AVISOS DE SEGURANÇA

Avisos gerais de segurança para ferramentas elétricas

⚠️ AVISO Leia todos os avisos de segurança, instruções, ilustrações e especificações fornecidos com esta ferramenta elétrica. O incumprimento de todas as instruções abaixo enumeradas pode resultar em choque elétrico, incêndio e/ou ferimentos graves.

Guarde todos os avisos e instruções para futuras referências.

O termo "ferramenta elétrica" nos avisos refere-se às ferramentas elétricas ligadas à corrente elétrica (com cabo) ou às ferramentas elétricas operadas por meio de bateria (sem cabo).

Avisos de segurança para a serra de fita a bateria

1. **Segure a ferramenta elétrica através das superfícies isoladas quando executar uma operação na qual o acessório de corte possa estabelecer contacto com os fios ocultos.** O contacto de acessórios de corte com um fio elétrico "sob tensão" pode tornar as partes metálicas expostas da ferramenta elétrica "sob tensão" e pode causar um choque elétrico ao operador.

Avisos de segurança adicionais:

2. **Utilize apenas lâminas listadas nas "ESPECIFICAÇÕES".**
3. **Verifique a lâmina com cuidado quanto a**

rachaduras ou danos antes da utilização. Substitua imediatamente a lâmina rachada ou danificada.

4. **Segure firmemente na peça de trabalho.** Quando cortar um maço de peças de trabalho, certifique-se de que todas as peças de trabalho estão firmemente seguras entre si antes de cortar.
5. **O corte de peças de trabalho cobertas de óleo pode fazer com que a lâmina se desprenda inesperadamente.** Limpe todo o óleo excessivo das peças de trabalho antes de cortar.
6. **Nunca utilize o óleo de corte como lubrificante de corte.** Utilize apenas cera de corte Makita.
7. **Não use luvas de proteção durante a operação.**
8. **Segure firmemente na ferramenta com as duas mãos.**
9. **Mantenha as mãos afastadas das peças rotativas.**
10. **Quando cortar metal, tenha cuidado com as fagulhas que saltam.**
11. **Não deixe a ferramenta a funcionar sem supervisão.**
12. **Não toque na lâmina ou na peça de trabalho imediatamente a seguir à operação pois podem estar extremamente quentes e provocar queimaduras.**
13. **Antes da operação, certifique-se de que não existem objetos enterrados tais como um tubo elétrico, tubo de água ou tubo de gás na área de trabalho.** Caso contrário, a lâmina da serra de fita pode tocar nos mesmos, resultando em choque elétrico, fuga elétrica ou fuga de gás.

GUARDE ESTAS INSTRUÇÕES.

⚠️ AVISO: NÃO permita que o conforto ou familiaridade com o produto (adquirido com o uso repetido) substitua o cumprimento estrito das regras de segurança da ferramenta. A MÁ INTERPRETAÇÃO ou o não seguimento das regras de segurança estabelecidas neste manual de instruções pode provocar ferimentos pessoais graves.

Instruções de segurança importantes para a bateria

1. **Antes de utilizar a bateria, leia todas as instruções e etiquetas de precaução no (1) carregador de bateria (2) bateria e (3) produto que utiliza a bateria.**
2. **Não desmonte ou manipule a bateria.** Pode resultar num incêndio, em calor excessivo ou numa explosão.
3. **Se o tempo de funcionamento se tornar excessivamente curto, pare o funcionamento imediatamente.** Pode resultar em sobreaquecimento, possíveis queimaduras e mesmo explosão.
4. **Se entrar eletrólito nos seus olhos, lave-os com água e consulte imediatamente um médico.** Pode resultar em perda de visão.
5. **Não coloque a bateria em curto-circuito:**

- (1) Não toque nos terminais com qualquer material condutor.
 - (2) Evite guardar a bateria juntamente com outros objetos metálicos tais como pregos, moedas, etc.
 - (3) Não exponha a bateria à água ou chuva. Um curto-circuito pode ocasionar um enorme fluxo de corrente, sobreaquecimento, possíveis queimaduras e mesmo estragar-se.
6. Não guarde nem utilize a ferramenta e a bateria em locais onde a temperatura pode atingir ou exceder 50 °C.
 7. Não queime a bateria mesmo que esteja estragada ou completamente gasta. A bateria pode explodir no fogo.
 8. Não preegue, corte, esmague, atire, deixe cair a bateria, nem bata a bateria contra um objeto rijo. Esta conduta pode resultar num incêndio, em calor excessivo ou numa explosão.
 9. Não utilize uma bateria danificada.
 10. As baterias de íões de lítio contidas na ferramenta são sujeitas aos requisitos da DGL (Dangerous Goods Legislation - Legislação de bens perigosos).
Para o transporte comercial, por exemplo, por terceiros ou agentes de expedição, têm de ser observados os requisitos referentes à embalagem e etiquetagem.
Para preparação do artigo a ser expedido, é necessário consultar um perito em materiais perigosos. Tenha ainda em conta a possibilidade de existirem regulamentos nacionais mais detalhados.
Coloque fita-cola ou tape os contactos abertos e embale a bateria de tal forma que não possa mover-se dentro da embalagem.
 11. Quando eliminar a bateria, remova-a da ferramenta e elimine-a num local seguro. Siga os regulamentos locais relacionados com a eliminação de baterias.
 12. Utilize as baterias apenas com os produtos especificados pela Makita. Instalar as baterias em produtos não-conformes poderá resultar num incêndio, calor excessivo, explosão ou fuga de eletrólito.
 13. Se a ferramenta não for utilizada durante um período de tempo prolongado, a bateria deve ser removida da ferramenta.
 14. Durante e após a utilização, a bateria pode aquecer, o que pode provocar queimaduras ou queimaduras a baixa temperatura. Preste atenção ao manuseamento de baterias quentes.
 15. Não toque no terminal da ferramenta imediatamente após a utilização, pois pode ficar suficientemente quente para provocar queimaduras.
 16. Não permita a adesão de aparas, pó ou sujidade nos terminais, nos orifícios e nas ranhuras da bateria. Poderá fazer com que a ferramenta ou a bateria aqueça, incendeie, rebente e avarie, resultando em queimaduras ou ferimentos corporais.
 17. A menos que a ferramenta suporte a utilização perto de linhas elétricas de alta tensão, não utilize a bateria perto de linhas elétricas de alta

tensão. Pode resultar no mau funcionamento ou na avaria da ferramenta ou bateria.

18. Mantenha a bateria afastada das crianças.

GUARDE ESTAS INSTRUÇÕES.

⚠PRECAUÇÃO: Utilize apenas baterias genuínas da Makita. A utilização de baterias não genuínas da Makita ou de baterias que foram alteradas, pode resultar no rebentamento da bateria provocando incêndios, ferimentos pessoais e danos. Além disso, anulará da garantia da Makita no que se refere à ferramenta e ao carregador Makita.

Conselhos para manter a máxima vida útil da bateria

1. Carregue a bateria antes que esteja completamente descarregada. Pare sempre o funcionamento da ferramenta e carregue a bateria quando notar menos poder na ferramenta.
2. Nunca carregue uma bateria completamente carregada. Carregamento excessivo diminui a vida útil da bateria.
3. Carregue a bateria à temperatura ambiente de 10 °C – 40 °C. Deixe que uma bateria quente arrefeça antes de a carregar.
4. Quando não utilizar a bateria, remova-a da ferramenta ou do carregador.
5. Carregue a bateria se não a utilizar durante um longo período de tempo (mais de seis meses).

DESCRIÇÃO FUNCIONAL

⚠PRECAUÇÃO: Certifique-se sempre de que a ferramenta está desligada e a bateria foi retirada antes de regular ou verificar qualquer função na ferramenta.

Instalação ou remoção da bateria

⚠PRECAUÇÃO: Desligue sempre a ferramenta antes de colocar ou retirar a bateria.

⚠PRECAUÇÃO: Segure firmemente a ferramenta e a bateria quando instalar ou remover a bateria. Se não segurar firmemente a ferramenta e a bateria pode fazer com que escorreguem das suas mãos resultando em danos na ferramenta e na bateria e ferimentos pessoais.

Para instalar a bateria, alinhe a lingueta na bateria com a ranhura na caixa e deslize-a para a posição correta. Insira-a por completo até bloquear na posição correta com um pequeno clique. Se conseguir ver o indicador vermelho conforme apresentado na figura, não está completamente bloqueada.

Para retirar a bateria, deslize-a para fora da ferramenta enquanto desliza o botão na frente da bateria.

► Fig.1: 1. Indicador vermelho 2. Botão 3. Bateria

⚠️PRECAUÇÃO: Instale sempre a bateria até ao fim, até deixar de ver o indicador vermelho.

Caso contrário, a bateria poderá cair da ferramenta acidentalmente e provocar ferimentos em si mesmo ou em alguém próximo.

⚠️PRECAUÇÃO: Não instale a bateria à força. Se a bateria não deslizar facilmente é porque não foi colocada corretamente.

Indicação da capacidade restante da bateria

Apenas para baterias com indicador

Prima o botão de verificação na bateria para indicar a capacidade restante da bateria. As luzes indicadoras acendem durante alguns segundos.

► **Fig.2:** 1. Luzes indicadoras 2. Botão de verificação

| Luzes indicadoras | | | Capacidade restante |
|-------------------|---------|----------|--------------------------------|
| Aceso | Apagado | A piscar | |
| | | | |
| | | | 75% a 100% |
| | | | 50% a 75% |
| | | | 25% a 50% |
| | | | 0% a 25% |
| | | | Carregar a bateria. |
| | | | A bateria pode estar avariada. |

NOTA: Dependendo das condições de utilização e da temperatura ambiente, a indicação pode ser ligeiramente diferente da capacidade real.

NOTA: A primeira luz indicadora (extremo esquerdo) pisca quando o sistema de proteção da bateria funciona.

Sistema de proteção da ferramenta/bateria

A ferramenta está equipada com um sistema de proteção da ferramenta/bateria. Este sistema corta automaticamente a corrente para o motor para aumentar a vida da ferramenta e da bateria. A ferramenta para automaticamente durante o funcionamento se a ferramenta ou bateria for colocada mediante uma das seguintes condições:

Proteção contra sobrecarga

Quando a bateria é operada de forma a puxar uma corrente anormalmente elevada, a ferramenta para automaticamente sem qualquer indicação. Nesse caso, desligue a ferramenta e pare a operação que provocou

a sobrecarga da ferramenta. Em seguida, volte a ligar a ferramenta para a reiniciar.

Proteção contra descarga excessiva

Quando a capacidade da bateria não é suficiente, a ferramenta para automaticamente. Neste caso, retire a bateria da ferramenta e carregue-a.

Proteções contra outras causas

O sistema de proteção também foi concebido para outras causas que possam danificar a ferramenta e permite que a ferramenta pare automaticamente. Tome todas as medidas que se seguem para eliminar as causas quando a ferramenta tiver parado ou interrompido temporariamente a operação.

1. Desligue a ferramenta e, em seguida, volte a ligá-la para reiniciar.
2. Carregue a(s) bateria(s) ou substitua-a(s) por bateria(s) recarregada(s).
3. Deixe a ferramenta e a(s) bateria(s) arrefecerem.

Se não for possível constatar qualquer melhoria através do restauro do sistema de proteção, contacte o centro de assistência Makita local.

Ação do interruptor

⚠️AVISO: Antes de colocar a bateria na ferramenta, verifique sempre se o gatilho do interruptor funciona corretamente e volta para a posição "OFF" quando libertado.

Para evitar que o gatilho do interruptor seja puxado acidentalmente, a ferramenta tem um botão de bloqueio do gatilho.

Para iniciar a ferramenta, prima o botão de bloqueio do gatilho no lado A e puxe o gatilho do interruptor. Solte o gatilho do interruptor para parar. Após a utilização, prima o botão de bloqueio do gatilho no lado B.

► **Fig.3:** 1. Botão de bloqueio do gatilho 2. Gatilho do interruptor

Acender a lâmpada da frente

⚠️PRECAUÇÃO: Não olhe para a luz ou para a fonte de iluminação diretamente.

Puxe o gatilho do interruptor para acender a lâmpada. A lâmpada mantém-se acesa enquanto o gatilho do interruptor estiver a ser puxado. A lâmpada apaga-se assim que soltar o gatilho do interruptor.

► **Fig.4:** 1. Lâmpada

NOTA: Não aplique impacto na lâmpada, o que poderá causar danos ou um tempo de serviço curto.

NOTA: Utilize um pano seco para limpar a sujidade da lente da lâmpada. Tenha cuidado para não riscar a lente da lâmpada ou a iluminação pode ficar enfraquecida.

MONTAGEM

⚠️ PRECAUÇÃO: Certifique-se sempre de que a ferramenta está desligada e a bateria retirada antes de executar qualquer trabalho na ferramenta.

Instalar ou remover a lâmina da serra de fita

⚠️ PRECAUÇÃO: O óleo na lâmina da serra de fita pode fazer com que a lâmina deslize ou se desprenda inesperadamente. Limpe todo o óleo excessivo com um pano antes de instalar a lâmina da serra de fita.

⚠️ PRECAUÇÃO: Use sempre luvas de proteção quando manusear a lâmina da serra de fita.

⚠️ PRECAUÇÃO: Tenha cuidado quando manusear a lâmina da serra de fita, de modo a evitar cortar-se com as arestas afiadas dos dentes da lâmina.

⚠️ PRECAUÇÃO: Mantenha o seu corpo afastado da lâmina da serra de fita quando verificar o movimento da lâmina.

⚠️ PRECAUÇÃO: Quando rodar a alavanca de aperto da lâmina para a direita para soltar a tensão na lâmina da serra de fita, aponte a ferramenta para baixo porque a lâmina da serra de fita pode desprender-se inesperadamente.

► **Fig. 5:** 1. Apertar 2. Desapertar 3. Alavanca de aperto da lâmina

Para instalar a lâmina da serra de fita:

1. Rode a alavanca de aperto da lâmina para a direita até parar para soltar a roda.
2. Corresponda a direção das setas na lâmina da serra de fita com as das rodas.
3. Insira o lado não-serrilhado da lâmina da serra de fita no suporte superior e no suporte inferior. Certifique-se de que a lâmina da serra de fita nos suportes superior e inferior toca nos rolamentos inferiores.

► **Fig. 6:** 1. Suporte inferior 2. Suporte superior 3. Rolamento inferior

4. Pressionando a parte central da lâmina da serra de fita, posicione a lâmina em redor de uma roda. Mover a roda para o lado A facilita o processo.

► **Fig. 7:** 1. Roda 2. Pneu de borracha

5. Posicione a lâmina da serra de fita na outra roda de forma similar.
6. Posicione o bordo da lâmina da serra de fita no pneu de borracha.
7. Mantenha a lâmina da serra de fita na posição correta e rode a alavanca de aperto da lâmina para a esquerda até parar. Isto permite exercer tensão adequada na lâmina da serra de fita.

OBSERVAÇÃO: Certifique-se de que a lâmina da serra de fita está posicionada corretamente em redor das rodas.

OBSERVAÇÃO: Ligue e desligue a ferramenta duas ou três vezes para assegurar que a lâmina da serra de fita funciona adequadamente nas rodas.

Para remover a lâmina da serra de fita, siga o procedimento de instalação pela ordem inversa.

Ajustar a posição da placa de batente

No funcionamento normal, projete a placa de batente completamente para o lado A.

Quando a placa de batente bater contra os obstáculos como uma parede ou similar no final de um corte, solte dois pernos e deslize-a para o lado B na figura.

Depois de deslizar a placa de batente, prenda-a apertando dois pernos firmemente.

► **Fig. 8:** 1. Placa de batente 2. Pernos 3. Lâmina da serra de fita

Instalar o gancho

Acessório opcional

⚠️ PRECAUÇÃO: Não utilize o gancho para outra finalidade que não a de pendurar a ferramenta temporariamente. Caso contrário, o gancho sai da ferramenta, resultando em lesão física.

O gancho é útil para pendurar a ferramenta. Pendure a ferramenta num torno de tubos ou outra estrutura estável adequada.

Para instalar o gancho, coloque-o junto à ranhura e aperte-o com dois parafusos.

► **Fig. 9:** 1. Gancho 2. Parafusos

OPERAÇÃO

⚠️ PRECAUÇÃO: Insira sempre a bateria por completo até bloquear no lugar com um clique. Se conseguir ver o indicador vermelho no lado superior do botão, é porque não está bloqueada completamente. Introduza-a totalmente até o indicador vermelho não puder ser visto. Se isso não acontecer, a bateria pode cair acidentalmente da ferramenta, causando-lhe ferimentos a si ou alguém perto de si.

⚠️ PRECAUÇÃO: Segure sempre o punho frontal e traseiro. Nunca segure o corpo da ferramenta ou os resguardos. As mãos podem escorregar destes locais e estabelecer contacto com a lâmina da serra de fita. Poderá resultar em lesão.

⚠️ PRECAUÇÃO: Certifique-se de que segura a ferramenta firmemente quando ligar ou desligar a ferramenta ou quando realizar o corte. Caso contrário, a ferramenta pode cair e provocar ferimentos pessoais.

NOTA: Quando cortar metal, recomenda-se o uso de luvas para proteger as mãos das fagulhas que saltam.

Para um corte estável, mantenha sempre no mínimo dois dentes no corte.

► **Fig.10**

Aplique a lâmina da serra de fita na posição de corte adequada na peça de trabalho conforme ilustrado.

► **Fig.11**

1. Segure a ferramenta com as duas mãos conforme ilustrado.

Antes de ligar a ferramenta, certifique-se sempre de que a placa de batente estabelece contacto com a peça de trabalho e que a lâmina da serra de fita está afastada da peça de trabalho.

► **Fig.12**

2. Ligue a ferramenta e espere até que a lâmina da serra de fita atinja a velocidade máxima. Desça gentilmente a lâmina até ao corte. O peso da ferramenta ou a ligeira pressão desta fornece pressão adequada para o corte. Não force a ferramenta.

► **Fig.13**

3. À medida que vai concluindo um corte, solte a pressão e eleve-a ligeiramente de modo que não caia contra a peça de trabalho.

OBSERVAÇÃO: Aplicar pressão excessiva na ferramenta ou torcer a lâmina da serra de fita pode causar um corte de bisel ou danos na lâmina.

OBSERVAÇÃO: Quando não utilizar a ferramenta por um período prolongado, remova a lâmina da serra de fita da ferramenta.

OBSERVAÇÃO: Se a ferramenta funcionar continuamente até a bateria ficar descarregada, deixe a ferramenta de lado por 15 minutos antes de prosseguir com uma bateria carregada.

Ajustar o curso da lâmina

Quando a lâmina da serra de fita apresentar uma tendência para deslizar para fora da roda, ajuste o curso da lâmina.

Para ajustar, insira a chave hexagonal no orifício de ajuste conforme ilustrado e rode-a um quarto de volta para a direita. Depois, verifique se a lâmina da serra de fita não desliza para fora.

Se ainda deslizar para fora, rode mais um quarto de volta e verifique até a lâmina da serra de fita não deslizar para fora.

► **Fig.14:** 1. Chave hexagonal 2. Orifício de ajuste

Lubrificante de corte

PRECAUÇÃO: Nunca utilize óleo de corte ou aplique uma quantidade excessiva de cera na lâmina da serra de fita. Isto pode fazer com que a lâmina escorregue ou se desprenda inesperadamente.

PRECAUÇÃO: Quando cortar ferro fundido, não utilize cera de corte.

Quando cortar metais, utilize cera de corte Makita como lubrificante de corte. Para aplicar a cera de corte nos dentes da lâmina da serra de fita, remova um tampa da cera de corte, ligue a ferramenta e corte a cera de corte conforme ilustrado.

► **Fig.15:** 1. Cera de corte

MANUTENÇÃO

PRECAUÇÃO: Certifique-se sempre de que a ferramenta se encontra desligada e de que a bateria foi retirada antes de executar qualquer inspeção ou manutenção.

OBSERVAÇÃO: Nunca utilize gasolina, benzina, diluente, álcool ou produtos semelhantes. Pode ocorrer a descoloração, deformação ou rachaduras.

Para manter a SEGURANÇA e a FIABILIDADE do produto, as reparações e qualquer outra manutenção ou ajuste devem ser levados a cabo pelos centros de assistência Makita autorizados ou pelos centros de assistência de fábrica, utilizando sempre peças de substituição Makita.

Limpeza

PRECAUÇÃO: A cera e as fagulhas nos pneus de borracha na roda podem fazer com que a lâmina da serra de fita escorregue e se desprenda inesperadamente. Utilize um pano seco para remover a cera e as fagulhas dos pneus de borracha.

Após a utilização, remova a cera, as fagulhas e o pó da ferramenta, os pneus de borracha na roda e a lâmina da serra de fita.

Substituir os pneus de borracha nas rodas

Substitua os pneus de borracha quando a lâmina da serra de fita escorregar ou não efetuar um curso adequadamente devido a pneus excessivamente gastos. Para substituir o pneu de borracha, solicite a intervenção dos centros de assistência autorizados ou de fábrica da Makita.

ACESSÓRIOS OPCIONAIS

PRECAUÇÃO: Estes acessórios ou peças são recomendados para utilização com a ferramenta Makita especificada neste manual. A utilização de outros acessórios ou peças pode ser perigosa para as pessoas. Utilize apenas acessórios ou peças para os fins indicados.

Se necessitar de informações adicionais relativas a

estes acessórios, solicite-as ao seu centro de assistência Makita.

- Bateria e carregador genuínos da Makita
- Lâminas da serra de fita
- Chave hexagonal 4
- Cera de corte
- Gancho
- Tampa da roda

OBSERVAÇÃO: Quando abrir a tampa da roda, abra e solte ambos os ganchos simultaneamente. A abertura de apenas um gancho pode causar fendas na tampa da roda.

► **Fig.16:** 1. Tampa da roda 2. Gancho

NOTA: Alguns itens da lista podem estar incluídos na embalagem da ferramenta como acessórios padrão. Eles podem variar de país para país.

SPECIFIKATIONER

| | | |
|---|-----------------------|--------------------------|
| Model: | | DPB182 |
| Maks. skærekapacitet | Rundt arbejdsemne | 64 mm dia. |
| | Firkantet arbejdsemne | 64 mm x 64 mm |
| Klinge-hastighed | | 3,2 m/s (190 m/min) |
| Klingestørrelse | Længde | 835 mm |
| | Bredde | 13 mm |
| | Tykkelse | 0,5 mm |
| Dimensioner (L x B x H) uden hjuldæksel | | 477 mm x 197 mm x 229 mm |
| Mærkespænding | | 18 V DC |
| Nettovægt uden hjuldæksel | | 3,8 - 4,1 kg |

- På grund af vores kontinuerlige forsknings- og udviklingsprogrammer kan hosstående specifikationer blive ændret uden varsel.
- Specifikationer kan variere fra land til land.
- Vægten kan være anderledes afhængigt af tilbehøret/tilbehørene, inklusive akkuen. Den letteste og tungeste kombination er vist i tabellen.

Anvendelig akku og oplader

| | |
|---------|---|
| Akku | BL1815N / BL1820B / BL1830B / BL1840B / BL1850B / BL1860B |
| Oplader | DC18RC / DC18RD / DC18RE / DC18SD / DC18SE / DC18SF / DC18SH / DC18WC |

- Nogle af de akkuer og opladere, der er angivet ovenfor, er muligvis ikke tilgængelige, afhængigt af hvilket område du bor i.

⚠ ADVARSEL: Brug kun de akkuer og opladere, der er angivet ovenfor. Brug af andre akkuer og opladere kan medføre personskaade og/eller brand.

Tilsigtet anvendelse

Maskinen er beregnet til skæring i plastik og jernholdige materialer.

Støj

Det typiske A-vægtede støjniveau bestemt i overensstemmelse med EN60745-2-20:

Lydtryksniveau (L_{pA}): 79 dB (A)

Usikkerhed (K): 3 dB (A)

Støjniveauet under arbejdet kan overskride 80 dB (A).

BEMÆRK: De(n) angivne støjemissionsværdi(er) er målt i overensstemmelse med en standardtestmetode og kan anvendes til at sammenligne en maskine med en anden.

BEMÆRK: De(n) angivne støjemissionsværdi(er) kan også anvendes i en præliminær eksponeringsvurdering.

⚠ ADVARSEL: Bær høreværn.

⚠ ADVARSEL: Støjemissionen under den faktiske anvendelse af maskinen kan være forskellig fra de(n) angivne værdi(er), afhængigt af den måde hvorpå maskinen anvendes, især den type arbejdsemne der behandles.

⚠ ADVARSEL: Sørg for at identificere de sikkerhedsforskrifter til beskyttelse af operatøren, som er baseret på en vurdering af eksponering under de faktiske brugsforhold (med hensyntagen til alle dele i brugscyklussen, f.eks. de gange, hvor maskinen er slukket, og når den kører i tomgang i tilgigt til afbrydertiden).

Vibration

Vibrationens totalværdi (tre-aksial vektorsum) bestemt i overensstemmelse med EN60745-2-20:

Arbejdstilstand: skæring i metal

Vibrationsemission ($a_{h,CY}$): 2,5 m/s² eller mindre

Usikkerhed (K): 1,5 m/s²

BEMÆRK: De(n) angivne totalværdi(er) for vibration er målt i overensstemmelse med en standardtestmetode og kan anvendes til at sammenligne en maskine med en anden.

BEMÆRK: De(n) angivne totalværdi(er) for vibration kan også anvendes i en præliminær eksponeringsvurdering.

⚠ ADVARSEL: Vibrationsemissionen under den faktiske anvendelse af maskinen kan være forskellig fra de(n) angivne værdi(er), afhængigt af den måde hvorpå maskinen anvendes, især den type arbejdsemne der behandles.

⚠ ADVARSEL: Sørg for at identificere de sikkerhedsforskrifter til beskyttelse af operatøren, som er baseret på en vurdering af eksponering under de faktiske brugsforhold (med hensyntagen til alle dele i brugscyklussen, f.eks. de gange, hvor maskinen er slukket, og når den kører i tomgang i tilgift til afbrydertiden).

Overensstemmelseserklæringer

Kun for lande i Europa

Overensstemmelseserklæringerne er inkluderet i Bilag A i denne brugsanvisning.

SIKKERHEDSADVARSLER

Almindelige sikkerhedsregler for el-værktøj

⚠ ADVARSEL Læs alle sikkerhedsadvarsler, instruktioner, illustrationer og specifikationer, der følger med denne maskine. Hvis du ikke følger alle nedenstående instruktioner, kan det medføre elektrisk stød, brand og/eller alvorlig personskade.

Gem alle advarsler og instruktioner til fremtidig reference.

Ordet "el-værktøj" i advarslerne henviser til det netforsyede (netledning) el-værktøj eller batteriforsyede (akku) el-værktøj.

Sikkerhedsadvarsler for akku bærbar båndsav

1. Hold maskinen i de isolerede gribeplader, når der udføres et arbejde, hvor skæretilbehøret kan komme i kontakt med skjulte ledninger. Skærende tilbehør, som kommer i kontakt med en strømførende ledning, kan bevirke, at udsatte metaldele på maskinen bliver strømførende, hvorved operatøren kan få elektrisk stød.

Supplerende sikkerhedsadvarsler:

2. Brug kun klinger, der er angivet under "SPECIFIKATIONER".
3. Efterse omhyggeligt klingens for revner eller beskadigelse før brugen. Udskift øjeblikkeligt

en revnet eller beskadiget klinger.

4. Fastgør arbejdsemnet forsvarligt. Når der skæres i et bundt af arbejdsemner, skal du sikre dig, at alle arbejdsemnerne er fastgjort solidt sammen, før der skæres.
5. Hvis der skæres i arbejdsemner, som er dækket af olie, kan det medføre, at klingens går af uventet. Tør alt overskydende olie af arbejdsemner, før der skæres.
6. Brug aldrig skæreeolie som skæresmørelse. Brug kun Makita skærevoks.
7. Undlad at bære handsker under betjeningen.
8. Hold godt fast i maskinen med begge hænder.
9. Hold hænderne på afstand af roterende dele.
10. Vær opmærksom på varme flyvende spåner, når der skæres i metal.
11. Lad ikke maskinen køre uovervåget.
12. Rør ikke ved klingens eller arbejdsemnets umiddelbart efter anvendelse. De kan begge være meget varme og forårsage forbrænding af huden.
13. Inden betjening skal du sørge for, at der ikke er nogen skjulte genstande som fx elektriske rør, vandrør eller gasrør i arbejdsområdet. Ellers kan båndsavklingen muligvis komme i kontakt med dem, hvilket kan resultere i elektrisk stød, ellækage eller gaslækage.

GEM DISSE FORSKRIFTER.

⚠ ADVARSEL: LAD IKKE bekvemmelighed eller kendskab til produktet (opnået gennem gentagen brug) forhindre, at sikkerhedsforskrifterne for produktet nøje overholdes. MISBRUG eller forsømmelse af at følge de i denne brugsvejledning givne sikkerhedsforskrifter kan medføre alvorlig personskade.

Vigtige sikkerhedsinstruktioner for akkuen

1. Læs alle instruktioner og advarselmærkater på (1) akku-opladeren, (2) akkuen og (3) produktet, som anvender akku.
2. Adskil eller ændr ikke akkuen. Det kan muligvis resultere i en brand, overdreven varme eller eksplosion.
3. Hold straks op med anvendelsen, hvis brugstiden er blevet stærkt afkortet. Fortsat anvendelse kan resultere i risiko for overophedning, forbrændinger og endog eksplosion.
4. Hvis De har fået elektrolytvæske i øjnene, skal De straks skylle den ud med rent vand og derefter øjeblikkeligt søge lægehjælp. I modsat fald kan De miste synet.
5. Vær påpasselig med ikke at komme til at kortslutte akkuen:
 - (1) Rør ikke ved terminalerne med noget ledende materiale.
 - (2) Undgå at opbevare akkuen i en beholder sammen med andre genstande af metal, for eksempel søm, mønter og lignende.
 - (3) Udsæt ikke akkuen for vand eller regn. Kortslutning af akkuen kan forårsage en

- kraftig øgning af strømmen, overophedning, mulige forbrændinger og endog værktøjstop.
6. **Opbevar og brug ikke maskinen og akkuen på steder, hvor temperaturen muligvis kan nå eller overstige 50 °C.**
 7. **Lad være med at brænde akkuen, selv ikke i tilfælde, hvor den har lidt alvorlig skade eller er fuldstændig udtjent. Akkuen kan eksplodere, hvis man forsøger at brænde den.**
 8. **Slå ikke søm i, skær ikke i, knus, kast, tab ikke akkuen og stød ikke akkuen mod en hård genstand. Sådan adfærd kan muligvis resultere i en brand, overdreven varme eller eksplosion.**
 9. **Anvend ikke en beskadiget akku.**
 10. **De indbyggede litium-ion-batterier er underlagt lovkrav vedrørende farligt gods.**
Ved kommerciel transport, f.eks. af tredjeparts transportselskaber, skal særlige krav til forpakning og mærkning overholdes.
Ved forberedelse af udstyret til forsendelse skal du kontakte en ekspert i farligt gods. Overhold også eventuel mere detaljeret national lovgivning.
Tape eller tildæk åbne kontakter, og pak batteriet på en måde, så det ikke kan flytte sig rundt i pakningen.
 11. **Når akkuen bortskaftes, skal du fjerne den fra maskinen og bortskaft den på et sikkert sted. Følg de lokale love vedrørende bortskaftelsen af batterier.**
 12. **Brug kun batterierne med de produkter, som Makita specificerer.** Hvis batterierne installeres i ikke-kompatible produkter, kan det medføre brand, kraftig varme, eksplosion eller udsivning af elektrolyt.
 13. **Hvis maskinen ikke skal bruges i længere tid ad gangen, skal du fjerne batteriet fra maskinen.**
 14. **Akkuen kan muligvis under og efter brug være varm, hvilket kan forårsage forbrændinger eller lavtemperaturforbrændinger. Vær påpasselig med håndtering af varme akkuer.**
 15. **Rør ikke terminalen på maskinen straks efter brug, da den bliver varm nok til at forårsage forbrændinger.**
 16. **Sørg for, at spåner, støv eller jord ikke sætter sig fast i akkuens terminaler, huller og riller.** Det kan forårsage opvarmning, antændelse, sprængning og funktionsfejl i maskinen eller akkuen, hvilket kan medføre forbrændinger eller personskade.
 17. **Medmindre maskinen understøtter brugen i nærheden af elektriske højspændingsledninger, skal du ikke anvende akkuen i nærheden af elektriske højspændingsledninger.** Det kan muligvis medføre funktionsfejl på eller nedbrud af maskinen eller akkuen.
 18. **Opbevar batteriet utilgængeligt for børn.**

GEM DENNE BRUGSANVISNING.

⚠FORSIGTIG: Brug kun originale batterier fra Makita. Brug af uoriginale Makita-batterier, eller batterier som er blevet ændret, kan muligvis medføre brud på batteriet, hvilket kan forårsage brand, personskade eller beskadigelse. Det ugyldiggør også Makita-garantien for Makita-maskinen og opladeren.

Tips til opnåelse af maksimal akku-levetid

1. **Oplad akkuen, inden den er helt afladet. Stop altid værktøjet, og oplad akkuen, hvis De bemærker, at værktøjeffekten er aftagende.**
2. **Genoplad aldrig en fuldt opladet akku. Overopladning vil afkorte akkuens levetid.**
3. **Oplad akkuen ved stuetemperatur ved 10 °C - 40 °C. Lad altid en varm akku få tid til at køle af, inden den oplades.**
4. **Når du ikke anvender akkuen, skal du fjerne den fra maskinen eller opladeren.**
5. **Oplad akkuen, hvis De ikke skal bruge den i længere tid (mere end seks måneder).**

FUNKTIONSBESKRIVELSE

⚠FORSIGTIG: Sørg altid for at maskinen er slukket, og at akkuen er taget ud, før der udføres justering eller kontrol af funktioner på maskinen.

Isætning eller fjernelse af akkuen

⚠FORSIGTIG: Sluk altid for værktøjet, før De monterer eller fjerner akkuen.

⚠FORSIGTIG: Hold værktøjet og akkuen fast ved montering eller fjernelse af akkuen. Hvis De ikke holder værktøjet og akkuen fast, kan de glide ud af hænderne på Dem og forårsage beskadigelse af værktøjet og akkuen eller personskade.

For at montere akkuen skal du justere tungen på akkuen med rillen i huset og skubbe den på plads. Indsæt den hele vejen, indtil den låses på plads med et lille klik. Hvis du kan se den røde indikator, som vist i figuren, er den ikke helt låst.

Akkuen fjernes ved, at De trækker den ud af værktøjet, idet De skyder knappen på forsiden af akkuen i stilling.

► **Fig.1:** 1. Rød indikator 2. Knap 3. Akku

⚠FORSIGTIG: Monter altid akkuen helt, indtil den røde indikator ikke længere er synlig. Hvis dette ikke gøres, kan den falde ud af værktøjet ved et uheld, hvorved De selv eller personer i nærheden kan komme til skade.
















⚠FORSIGTIG: Brug ikke magt ved montering af akkuen. Hvis akkuen ikke glider på plads uden problemer, betyder det, at den ikke sættes i på korrekt vis.

Indikation af den resterende batteriladning

Kun til akkuer med indikatoren

Tryk på kontrolknappen på akkuen for at få vist den resterende batteriladning. Indikatorlampen lyser i nogle sekunder.

► **Fig.2:** 1. Indikatorlamper 2. Kontrolknap

| Indikatorlamper | | | Resterende ladning |
|--|---|---|-----------------------------------|
|  Tændt |  Slukket |  Blinker | |
|  | | | 75% til 100% |
|  |  | | 50% til 75% |
|  |  | | 25% til 50% |
|  |  | | 0% til 25% |
|  |  | | Genoplad batteriet. |
|  ↑ ↓ |  |  | Der er muligvis fejl i batteriet. |

BEMÆRK: Afhængigt af brugsforholdene og den omgivende temperatur kan indikationen afvige en smule fra den faktiske ladning.

BEMÆRK: Den første indikatorlampe (længst mod venstre) vil blinke, når batteribeskyttelsessystemet aktiveres.

Beskyttelsessystem til værktøj/batteri

Maskinen er udstyret med et beskyttelsessystem til maskinen/batteriet. Dette system afbryder automatisk strømmen til motoren for at forlænge maskinens og batteriets levetid. Maskinen stopper automatisk under brugen, hvis maskinen eller batteriet udsættes for et af følgende forhold:

Overbelastningsbeskyttelse

Hvis batteriet bruges på en måde, der får det til at trække en unormalt høj strøm, stopper maskinen automatisk uden indikation. Sluk i så fald for maskinen, og stop den anvendelse, der medførte overbelastningen af maskinen. Tænd derefter for maskinen for at starte igen.

Beskyttelse mod overafledning

Når batteriladningen er utilstrækkelig, stopper maskinen automatisk. Tag i så fald akkuen ud af maskinen, og oplad akkuen.

Beskyttelse mod andre årsager

Beskyttelsessystemet er også designet til andre årsager, der kan beskadige maskinen og giver maskinen mulighed for at stoppe automatisk. Benyt alle nedenstående trin for at fjerne årsagerne, når maskinen midlertidigt er blevet bragt til standsning eller sat ud af drift.

1. Sluk for maskinen, og tænd den derefter igen for at genstarte.
2. Genoplad batteriet/batterierne, eller udskift det/dem med genopladet batteri/genopladede batterier.
3. Lad maskinen og batteriet/batterierne køle ned.

Hvis der ikke sker nogen forbedring ved at gen-danne beskyttelsessystemet, kontaktes det lokale Makita-servicecenter.

Afbryderbetjening

⚠ ADVARSEL: Inden akkuen sættes i maskinen, bør De altid kontrollere, at afbryderknappen fungerer korrekt, og returnerer til "OFF"-positionen, når den slippes.

Afbryderlåseknapen forhindrer, at der trykkes på afbryderknappen ved en fejltagelse.

Maskinen startes ved at trykke afbryderlåseknapen ind fra A-siden og trykke på afbryderknappen. Slip afbryderknappen for at stoppe. Tryk afbryderlåseknapen ind fra B-siden efter brug.

► **Fig.3:** 1. Afbryderlåseknap 2. Afbryderknap

Tænding af lampen foran

⚠ FORSIGTIG: Kig aldrig direkte på lyskilden. Lad ikke lyset falde i Deres øjne.

Tryk afbryderknappen ind for at tænde for lampen. Lampen fortsætter med at lyse, så længe afbryderknappen trykkes ind. Lampen slukker, lige efter at afbryderknappen slippes.

► **Fig.4:** 1. Lampe

BEMÆRK: Undlad at bruge magt på lampen, da det kan medføre beskadigelse eller forkortet levetid.

BEMÆRK: Brug en tør klud til at tørre snavset af lampens linse. Pas på ikke at ridse lampens linse, da dette muligvis kan dæmpe belysningen.

SAMLING

⚠ FORSIGTIG: Sørg altid for at maskinen er slukket, og at akkuen er taget ud, før der udføres noget arbejde på maskinen.

Montering eller afmontering af båndsavklingen

⚠FORSIGTIG: Olie på båndsavklingen kan medføre, at klingen glider eller går af uventet. Aftør alt overskydende olie med en klud, før båndsavklingen monteres.

⚠FORSIGTIG: Bær altid arbejdshandsker, når du håndterer båndsavklingen.

⚠FORSIGTIG: Vær forsigtig, når du håndterer båndsavklingen, for at undgå, at du skærer dig på klingetændernes skarpe kant.

⚠FORSIGTIG: Hold kroppen væk fra båndsavklingen, når du kontrollerer klingens bevægelse.

⚠FORSIGTIG: Når klingestramningshåndtaget drejes i urets retning for at frigøre båndsavklingens spænding, skal du vende maskinen nedad, da båndsavklingen kan gå af uventet.

- Fig.5: 1. Tilspænd 2. Løsn
3. Klingestramningshåndtag

Sådan monteres båndsavklingen:

1. Drej klingestramningshåndtaget i retningen med uret, indtil det stopper, for at løsne hjulet.

2. Tilpas pilenes retning på båndsavklingen og på hjulene.

3. Indsæt den ikke-takkede side af båndsavklingen i den øverste holder og nederste holder. Sørg for, at båndsavklingen i både øverste og nederste holder berører bundlejerne.

- Fig.6: 1. Nederste holder 2. Øverste holder
3. Bundleje

4. Tryk på den midterste del af båndsavklingen, og placer klingens omkring det ene hjul. Dette er lettere, hvis du flytter hjulet til A-siden.

- Fig.7: 1. Hjul 2. Gummidækk

5. Placer båndsavklingen på det andet hjul på samme måde.

6. Placer kanten af båndsavklingen på gummidækket.

7. Hold båndsavklingen på plads, og drej klingestramningshåndtaget i retningen mod uret, indtil det stopper. Dette anvender passende spænding på båndsavklingen.

BEMÆRKNING: Sørg for, at båndsavklingen sidder korrekt omkring hjulene.

BEMÆRKNING: Start og stop maskinen to eller tre gange for at sikre dig, at båndsavklingen kører korrekt på hjulene.

Følg monteringsvejledningen i omvendt rækkefølge for at fjerne båndsavklingen.

Justering af anslagspladens position

Ved normal anvendelse skal anslagspladen stikke helt ud til A-siden.

Når anslagspladen støder mod forhindringer som f.eks. en væg eller lignende ved afslutningen af en skæring,

skal du løsne to bolte og skubbe den til B-siden i figuren.

Efter du har skubbet anslagspladen, skal du fastgøre den ved at stramme to bolte fast til.

- Fig.8: 1. Anslagsplade 2. Bolte 3. Båndsavklinge

Monteringskrog

Ekstraudstyr

⚠FORSIGTIG: Brug ikke krogen til andre formål end midlertidig ophængning af maskinen. Hvis du gør det, kan det medføre, at krogen falder af maskinen, og forårsage personskade.

Krogen er nyttig til ophængning af maskinen. Hæng maskinen på en rørskruestik eller en anden passende, stabil struktur.

Krogen monteres ved at placere krogen langs rillen og stramme den med to skruer.

- Fig.9: 1. Krog 2. Skruer

ANVENDELSE

⚠FORSIGTIG: Sæt altid akkuen helt ind, indtil den låses på plads. Hvis du kan se den røde indikator på den øverste side af knappen, er den ikke helt låst. Sæt den helt ind, indtil den røde indikator ikke kan ses. I modsat fald kan den ved et uheld falde ud af maskinen og medføre personskade på dig eller personer i nærheden.

⚠FORSIGTIG: Hold altid i det forreste og bageste håndtag. Hold aldrig i maskinens kabinet eller beskyttelsesskærme. Hænderne kan glide fra disse steder og komme i kontakt med båndsavklingen. Dette kan medføre personskade.

⚠FORSIGTIG: Sørg for at holde fast i maskinen, når der tændes eller slukkes for maskinen eller under skæring. Ellers kan maskinen falde ned og forårsage personskade.

BEMÆRK: Ved savning i metal anbefales det at bære handsker for at beskytte hænderne mod flyvende, varme spåner.

Hold altid mindst to tænder i snittet for at opnå en stabil skæring.

- Fig.10

Sæt båndsavklingen i den passende skæreposition på arbejdsområdet som vist.

- Fig.11

1. Hold fast i maskinen med begge hænder som vist.

Før der tændes for maskinen, skal du altid sikre dig, at anslagspladen berører arbejdsområdet, og at båndsavklingen er fri af arbejdsområdet.

- Fig.12

2. Tænd for maskinen, og vent, indtil båndsavklingen når op på fuld hastighed. Sænk forsigtigt klingens ned i snittet. Maskinens vægt eller et let tryk på maskinen giver tilstrækkeligt tryk til skæringen. Undlad at presse maskinen.

► Fig.13

3. Når du når slutningen af en skæring, skal du frigøre trykket og løfte den en smule, så den ikke falder mod arbejdsområdet.

BEMÆRKNING: Brug af overdrevet tryk på maskinen eller vridning af båndsavklingen kan medføre skrånit eller beskadigelse af klingene.

BEMÆRKNING: Når maskinen ikke bruges i længere tid ad gangen, skal du fjerne båndsavklingen fra maskinen.

BEMÆRKNING: Hvis maskinen benyttes konstant, indtil akkuen er afladet, skal du lade maskinen hvile i 15 minutter, før der fortsættes med et opladet batteri.

Justering af klingegangen

Hvis båndsavklingen har tendens til at glide af hjulet, skal du justere klingegangen.

For at justere skal du indsætte sekskantnøglen i justeringshullet som vist og dreje en kvart omgang med uret. Tjek derefter, at båndsavklingen ikke glider ud.

Hvis den stadig glider ud, skal du dreje endnu en kvart omgang og kontrollere, indtil båndsavklingen ikke glider ud.

► Fig.14: 1. Sekskantnøgle 2. Justeringshul

Skæresmørelse

⚠FORSIGTIG: Brug aldrig skæreolie, og anvend ikke for store mængder voks på båndsavklingen. De kan få båndsavklingen til at glide eller gå af uventet.

⚠FORSIGTIG: Brug ikke nogen skærevoks, når der skæres i støbejern.

Brug Makita skærevoks som skæresmørelse, når der skæres i metaller. For at smøre skærevokset på tænderne på båndsavklingen skal du fjerne en hætte på skærevokset, starte maskinen og skære ned i skærevokset som vist.

► Fig.15: 1. Skærevoks

VEDLIGEHOOLDELSE

⚠FORSIGTIG: Vær altid sikker på, at værktøjet er slukket, og at akkuen er taget ud, inden De begynder at udføre inspektion eller vedligeholdelse.

BEMÆRKNING: Anvend aldrig benzin, rensebenzin, fortynder, alkohol og lignende. Det kan medføre misfarvning, deformation eller revner.

For at opretholde produktets SIKKERHED og PALIDELIGHED må reparation, vedligeholdelse eller justering kun udføres af et autoriseret Makita servicecenter eller fabrikksservicecenter med anvendelse af Makita reservedele.

Rengøring

⚠FORSIGTIG: Voks og spåner på hjulenes gummidæk kan få båndsavklingen til at glide og gå af uventet. Brug en tør klud til at fjerne voks og spåner fra gummidækkene.

Efter brug skal du fjerne voks, spåner og støv fra maskinen, gummidækkene på hjulet og båndsavklingen.

Udskiftning af gummidækkene på hjulene

Udskift gummidækkene, når båndsavklingen glider eller ikke følger den rigtige bane på grund af kraftigt slidte dæk.

Hvis du vil udskifte et gummidæk, skal du kontakte et autoriseret Makita servicecenter eller fabrikksservicecenter.

EKSTRAUDSTYR

⚠FORSIGTIG: Det følgende tilbehør og ekstraudstyr er anbefalet til brug med Deres Makita maskine, der er beskrevet i denne brugsanvisning. Anvendelse af andet tilbehør eller ekstraudstyr kan udgøre en risiko for personskade. Anvend kun tilbehør og ekstraudstyr til det beskrevne formål.

Hvis De behøver hjælp ved valg af tilbehør eller ønsker yderligere informationer, bedes De kontakte Deres lokale Makita servicecenter.

- Original Makita-akku og oplader
- Båndsavklinger
- Sekskantnøgle 4
- Skærevoks
- Krog
- Hjuldæksel

BEMÆRKNING: Når du åbner hjuldækslet, skal du åbne og frigive begge krogene på samme tid. Hvis du kun åbner én krog, kan det medføre revner på hjuldækslet.

► Fig.16: 1. Hjuldæksel 2. Krog

BEMÆRK: Nogle ting på denne liste kan være inkluderet i værktøjsspakken som standardtilbehør. Det kan være forskellige fra land til land.

ΠΡΟΔΙΑΓΡΑΦΕΣ

| Μοντέλο: | | DPB182 |
|---|----------------------------|--------------------------|
| Μέγιστη ικανότητα κοπής | Στρογγυλό τεμάχιο εργασίας | 64 mm διάμ. |
| | Ορθογώνιο τεμάχιο εργασίας | 64 mm x 64 mm |
| Ταχύτητα λάμας | | 3,2 m/s (190 m/min) |
| Μέγεθος λάμας | Μήκος | 835 mm |
| | Πλάτος | 13 mm |
| | Πάχος | 0,5 mm |
| Διαστάσεις (Μ x Π x Υ) χωρίς κάλυμμα τροχού | | 477 mm x 197 mm x 229 mm |
| Ονομαστική τάση | | D.C. 18 V |
| Καθαρό βάρος χωρίς κάλυμμα τροχού | | 3,8 - 4,1 kg |

- Λόγω του συνεχιζόμενου προγράμματος έρευνας και ανάπτυξης, οι προδιαγραφές αυτές υπόκεινται σε αλλαγές χωρίς προειδοποίηση.
- Τα τεχνικά χαρακτηριστικά μπορεί να διαφέρουν από χώρα σε χώρα.
- Το βάρος μπορεί να διαφέρει ανάλογα με τα προσαρτήματα, συμπεριλαμβάνοντας την κασέτα μπαταριών. Ο ελαφρύτερος και βαρύτερος συνδυασμός απεικονίζονται στον πίνακα.

Ισχύουσα κασέτα μπαταριών και φορτιστής

| | |
|------------------|---|
| Κασέτα μπαταρίας | BL1815N / BL1820B / BL1830B / BL1840B / BL1850B / BL1860B |
| Φορτιστής | DC18RC / DC18RD / DC18RE / DC18SD / DC18SE / DC18SF / DC18SH / DC18WC |

- Ορισμένες από τις κασέτες και τους φορτιστές μπαταριών που αναγράφονται παραπάνω ίσως να μην είναι διαθέσιμοι, ανάλογα με την τοποθεσία κατοικίας σας.

ΠΡΟΕΙΔΟΠΟΙΗΣΗ: Να χρησιμοποιείτε μόνο τις κασέτες μπαταριών και τους φορτιστές που παρατίθενται ανωτέρω. Η χρήση οποιασδήποτε άλλης κασέτας μπαταριών ή φορτιστή μπορεί να προκαλέσει τραυματισμό ή/και πυρκαγιά.

Προοριζόμενη χρήση

Το εργαλείο προορίζεται για την κοπή πλαστικών και σιδηρούχων υλικών.

Θορύβος

Το τυπικό Α επίπεδο καταμετρημένου θορύβου καθορίζεται σύμφωνα με το EN60745-2-20: Στάθμη ηχητικής πίεσης (L_{pA}): 79 dB (A)
Αβεβαιότητα (K): 3 dB (A)

Η ένταση θορύβου υπό συνθήκες εργασίας μπορεί να υπερβεί τα 80 dB (A).

ΠΑΡΑΤΗΡΗΣΗ: Η δηλωμένη τιμή(ές) εκπομπής θορύβου έχει μετρηθεί σύμφωνα με την πρότυπη μέθοδο δοκιμής και μπορεί να χρησιμοποιηθεί για τη σύγκριση ενός εργαλείου με κάποιο άλλο.

ΠΑΡΑΤΗΡΗΣΗ: Η δηλωμένη τιμή(ές) εκπομπής θορύβου μπορεί να χρησιμοποιηθεί και στην προκαταρκτική αξιολόγηση της έκθεσης.

ΠΡΟΕΙΔΟΠΟΙΗΣΗ: Να φοράτε ωτοασπίδες.

ΠΡΟΕΙΔΟΠΟΙΗΣΗ: Η εκπομπή θορύβου κατά τη χρήση του ηλεκτρικού εργαλείου σε πραγματικές συνθήκες μπορεί να διαφέρει από τη δηλωμένη τιμή(ές) ανάλογα με τους τρόπους χρήσης του εργαλείου, ιδιαίτερα το είδος του τεμαχίου εργασίας που υπόκειται επεξεργασία.

ΠΡΟΕΙΔΟΠΟΙΗΣΗ: Φροντίστε να λάβετε τα κατάλληλα μέτρα προστασίας του χειριστή βάσει ενός υπολογισμού της έκθεσης σε πραγματικές συνθήκες χρήσης (λαμβάνοντας υπόψη όλες τις συνιστώσες του κύκλου λειτουργίας όπως τους χρόνους που το εργαλείο είναι εκτός λειτουργίας και όταν βρίσκεται σε αδρανή λειτουργία πέραν του χρόνου ενεργοποίησης).

Κραδασμός

Η ολική τιμή δόνησης (άθροισμα τρι-αξονικού διανύσματος) καθορίζεται σύμφωνα με το EN60745-2-20:
Είδος εργασίας: κοπή μετάλλου
Εκπομπή δόνησης ($a_{h,CM}$): 2,5 m/s² ή λιγότερο
Αβεβαιότητα (K): 1,5 m/s²

ΠΑΡΑΤΗΡΗΣΗ: Η δηλωμένη τιμή(ές) συνολικών κραδασμών έχει μετρηθεί σύμφωνα με την πρότυπη μέθοδο δοκιμής και μπορεί να χρησιμοποιηθεί για τη σύγκριση ενός εργαλείου με κάποιο άλλο.

ΠΑΡΑΤΗΡΗΣΗ: Η δηλωμένη τιμή(ές) συνολικών κραδασμών μπορεί να χρησιμοποιηθεί και στην προκαταρκτική αξιολόγηση της έκθεσης.

▲ΠΡΟΕΙΔΟΠΟΙΗΣΗ: Η εκπομπή κραδασμών κατά τη χρήση του ηλεκτρικού εργαλείου σε πραγματικές συνθήκες μπορεί να διαφέρει από τη δηλωμένη τιμή(ές) εκπομπής ανάλογα με τους τρόπους χρήσης του εργαλείου, ιδιαίτερα το είδος του τεμαχίου εργασίας που υπόκειται επεξεργασία.

▲ΠΡΟΕΙΔΟΠΟΙΗΣΗ: Φροντίστε να λάβετε τα κατάλληλα μέτρα προστασίας του χειριστή βάσει ενός υπολογισμού της έκθεσης σε πραγματικές συνθήκες χρήσης (λαμβάνοντας υπόψη όλες τις συνιστώσες του κύκλου λειτουργίας όπως τους χρόνους που το εργαλείο είναι εκτός λειτουργίας και όταν βρίσκεται σε αδρανή λειτουργία πέραν του χρόνου ενεργοποίησης).

Δήλωση Συμμόρφωσης

Μόνο για χώρες της Ευρώπης

Οι Δήλώσεις Συμμόρφωσης περιλαμβάνονται στο Παράρτημα Α στο παρόν εγχειρίδιο οδηγιών.

ΠΡΟΕΙΔΟΠΟΙΗΣΕΙΣ ΑΣΦΑΛΕΙΑΣ

Γενικές προειδοποιήσεις ασφαλείας για το ηλεκτρικό εργαλείο

▲ΠΡΟΕΙΔΟΠΟΙΗΣΗ Διαβάστε όλες τις προειδοποιήσεις ασφαλείας, οδηγίες, εικονογραφημένες και προδιαγραφές που παρέχονται με αυτό το ηλεκτρικό εργαλείο. Η μη τήρηση όλων των οδηγιών που αναγράφονται κατωτέρω μπορεί να καταλήξει σε ηλεκτροπληξία, πυρκαγιά ή/και σοβαρό τραυματισμό.

Φυλάξτε όλες τις προειδοποιήσεις και τις οδηγίες για μελλοντική παραπομπή.

Στις προειδοποιήσεις, ο όρος «ηλεκτρικό εργαλείο» αναφέρεται σε ηλεκτρικό εργαλείο που τροφοδοτείται από την κύρια παροχή ηλεκτρικού ρεύματος (με ηλεκτρικό καλώδιο) ή σε ηλεκτρικό εργαλείο που τροφοδοτείται από μπαταρία (χωρίς ηλεκτρικό καλώδιο).

Προειδοποιήσεις ασφαλείας για τη φορητή πριονοκορδέλα μπαταρίας

1. Να κρατάτε το ηλεκτρικό εργαλείο από τις μονωμένες επιφάνειες λαβής όταν εκτελείτε εργασίες κατά τις οποίες το εξάρτημα κοπής μπορεί να έρθει σε επαφή με κρυμμένα

καλώδια. Αν τα εξαρτήματα έρθουν σε επαφή με κάποιο ηλεκτροφόρο καλώδιο, μπορεί τα εκτεθειμένα μεταλλικά μέρη του ηλεκτρικού εργαλείου να γίνουν κι αυτά ηλεκτροφόρα και να προκληθεί ηλεκτροπληξία στο χειριστή.

Πρόσθετες προειδοποιήσεις ασφαλείας:

2. Να χρησιμοποιείτε μόνο λάμες που παρατίθενται στις «ΠΡΟΔΙΑΓΡΑΦΕΣ».
3. Πριν από τη λειτουργία, να ελέγχετε προσεκτικά τη λάμα για ραγίσματα ή ζημιά. Να αντικαθιστάτε αμέσως μια ραγισμένη ή κατεστραμμένη λάμα.
4. Ασφαλίστε καλά το τεμάχιο εργασίας. Όταν κόβετε δέσμη τεμαχίων εργασίας, βεβαιωθείτε ότι όλα τα τεμάχια εργασίας είναι καλά στερεωμένα μαζί πριν από την κοπή.
5. Αν κόβετε τεμάχια εργασίας που είναι καλυμμένα με λάδι, μπορεί να αποσυνδεθεί ανεπιθύτητα η λάμα. Πριν από την κοπή, να σκουπίζετε όλο το παραπάνω λάδι από τα τεμάχια εργασίας.
6. Μη χρησιμοποιείτε ποτέ λάδι κοπής ως λιπαντικό κοπής. Να χρησιμοποιείτε μόνο το κέρι κοπής της Makita.
7. Μη φοράτε γάντια κατά τη λειτουργία.
8. Κρατήστε το εργαλείο σταθερά με τα δύο χέρια.
9. Μην πλησιάζετε τα χέρια σας σε περιστρεφόμενα μέρη.
10. Όταν κόβετε μέταλλο, να προσέχετε τα θερμά, εκτοξευόμενα θραύσματα.
11. Μην αφήνετε το εργαλείο σε λειτουργία αν δεν το προσέχετε.
12. Μην αγγίζετε τη λάμα ή το τεμάχιο εργασίας αμέσως μετά τη λειτουργία. Μπορεί να είναι εξαιρετικά ζεστά και να σας προκαλέσουν εγκαύματα.
13. Πριν τη λειτουργία, βεβαιωθείτε ότι δεν υπάρχει κάποιο θαμμένο αντικείμενο όπως ηλεκτρικός σωλήνας, σωλήνας νερού ή σωλήνας αερίου στην περιοχή εργασίας. Διαφορετικά, η λάμα πριονοκορδέλας μπορεί να τα αγγίξει, προκαλώντας ηλεκτροπληξία, διαρροή ηλεκτρικού ρεύματος ή διαρροή αερίου.

ΦΥΛΑΞΤΕ ΑΥΤΕΣ ΤΙΣ ΟΔΗΓΙΕΣ.

▲ΠΡΟΕΙΔΟΠΟΙΗΣΗ: ΜΗΝ επιτρέψετε στην άνεση ή στην εξοικειώσή σας με το προϊόν (που αποκτήθηκε από επανειλημμένη χρήση) να αντικαταστήσει την αυστηρή τήρηση των κανόνων ασφαλείας του παρόντος εργαλείου. Η ΛΑΝΘΑΣΜΕΝΗ ΧΡΗΣΗ ή η αμέλεια να ακολουθήσετε τους κανόνες ασφαλείας που διατυπώνονται στο παρόν εγχειρίδιο οδηγιών μπορεί να προκαλέσει σοβαρό προσωπικό τραυματισμό.

Σημαντικές οδηγίες ασφαλείας για κασέτα μπαταριών

1. Πριν χρησιμοποιήσετε την κασέτα μπαταριών, διαβάστε όλες τις οδηγίες και σημειώσεις προφύλαξης (1) στον φορητό μπαταριών, (2) στην μπαταρία και (3) στο προϊόν που χρησιμοποιεί τη μπαταρία.

2. Μην αποσυναρμολογήσετε ή παραβιάσετε την κασέτα μπαταριών. Μπορεί να έχει ως αποτέλεσμα πυρκαγιά, υπερθέρμανση ή έκρηξη.
3. Εάν ο χρόνος λειτουργίας έχει γίνει υπερβολικά βραχύς, σταματήστε τη λειτουργία αμέσως. Αλλιώς, μπορεί να έχει ως αποτέλεσμα κίνδυνο υπερθέρμανσης, πιθανά εγκαύματα ή ακόμη και έκρηξη.
4. Εάν ηλεκτρολύτης μπει στα μάτια σας, ξεπλύνετέ τα με καθαρό νερό και ζητήστε ιατρική φροντίδα αμέσως. Αλλιώς, μπορεί να έχει ως αποτέλεσμα απώλεια της όρασης σας.
5. Μην βραχυκυκλώνετε την κασέτα μπαταριών:
 - (1) Μην αγγίζετε τους πόλους με οτιδήποτε αγώγιμο υλικό.
 - (2) Αποφεύγετε να αποθηκεύετε την κασέτα μπαταριών μέσα σε ένα δοχείο μαζί με άλλα μεταλλικά αντικείμενα όπως καρφιά, νομίσματα, κλπ.
 - (3) Μην εκθέτετε την κασέτα μπαταριών στο νερό ή στη βροχή.
 Ένα βραχυκύκλωμα μπαταρίας μπορεί να προκαλέσει μεγάλη ροή ρεύματος, υπερθέρμανση, πιθανά εγκαύματα ακόμη και σοβαρή βλάβη.
6. Μην αποθηκεύετε και μην χρησιμοποιείτε το εργαλείο και την κασέτα μπαταριών σε τοποθεσίες όπου η θερμοκρασία μπορεί να φτάσει ή να ξεπεράσει τους 50°C.
7. Μην καίτε την κασέτα μπαταριών ακόμη και εάν έχει σοβαρή ζημιά ή είναι εντελώς φθαρμένη. Η κασέτα μπαταριών μπορεί να εκραγεί στη φωτιά.
8. Μην καρφώσετε, κόψετε, συνθλίψετε, πετάξετε ή ρίξετε κάτω την κασέτα μπαταριών, ούτε να χτυπήσετε ένα σκληρό αντικείμενο επάνω στην κασέτα μπαταριών. Τέτοια συμπεριφορά μπορεί να έχει ως αποτέλεσμα πυρκαγιά, υπερθέρμανση ή έκρηξη.
9. Μην χρησιμοποιείτε μπαταρία που έχει υσοστεί ζημιά.
10. Οι μπαταρίες ιόντων λιθίου που περιέχονται υποκινούνται στις απαιτήσεις της νομοθεσίας για επικίνδυνα αγαθά.

Για εμπορικές μεταφορές, για παράδειγμα από τρίτα μέρη, πρέπει να τηρούνται οι διαμεταφορές, οι ειδικές απαιτήσεις στη συσκευασία και η επισήμανση.

Για προετοιμασία του στοιχείου που αποστέλλεται, είναι απαραίτητο να συμβουλευτείτε έναν ειδικό για επικίνδυνα υλικά. Επίσης, τηρήστε τους πιθανούς, πιο αναλυτικούς εθνικούς κανονισμούς. Καλύψτε με αυτοκόλλητη ταινία ή κρύψτε τις ανοικτές επαφές και συσκευάστε την μπαταρία με τρόπο που να μην μπορεί να μετακινείται μέσα στη συσκευασία.
11. Όταν απορρίπτετε την κασέτα μπαταριών, αφαιρέστε την από το εργαλείο και διαθέστε την σε ένα ασφαλές μέρος. Τηρήστε τους τοπικούς κανονισμούς που σχετίζονται με τη διάθεση της μπαταρίας.
12. Χρησιμοποιήστε τις μπαταρίες μόνο με τα προϊόντα που καθορίζει η Makita. Αν τοποθετήσετε τις μπαταρίες σε μη συμβατά προϊόντα μπορεί να έχει ως αποτέλεσμα πυρκαγιά, υπερβολική

θερμότητα, έκρηξη ή διαρροή ηλεκτρολύτη.

13. Αν δεν χρησιμοποιείτε το εργαλείο για μεγάλο χρονικό διάστημα, πρέπει να βγάλετε την μπαταρία από το εργαλείο.
14. Κατά τη διάρκεια και μετά τη χρήση, η κασέτα μπαταριών μπορεί να θερμανθεί, γεγονός που μπορεί να προκαλέσει εγκαύματα ή εγκαύματα από χαμηλή θερμοκρασία. Προσέχετε το χειρισμό των ζεστών κασετών μπαταριών.
15. Μην αγγίζετε τον ακροδέκτη του εργαλείου αμέσως μετά τη χρήση επειδή μπορεί να έχει ζεσταθεί αρκετά για να προκαλέσει εγκαύματα.
16. Μην αφήνετε θραύσματα, σκόνη ή βρομιά να κολλήσει στους ακροδέκτες, τις σπές και τις εγκοπές της κασέτας μπαταριών. Μπορεί να προκαλέσει θέρμανση, φωτιά, έκρηξη και δυσλειτουργία του εργαλείου ή της κασέτας μπαταριών, έχοντας ως αποτέλεσμα εγκαύματα ή προσωπικό τραυματισμό.
17. Εκτός αν το εργαλείο υποστηρίζει τη χρήση κοντά σε ηλεκτρικές γραμμές υψηλής τάσης, μην χρησιμοποιείτε την κασέτα μπαταριών κοντά σε ηλεκτρικές γραμμές υψηλής τάσης. Μπορεί να έχει ως αποτέλεσμα δυσλειτουργία ή στάσιμο του εργαλείου ή της κασέτας μπαταριών.
18. ΚρΦυλάξτε την μπαταρία μακριά από παιδιά.

ΦΥΛΑΞΤΕ ΤΙΣ ΟΔΗΓΙΕΣ ΑΥΤΕΣ.

▲ΠΡΟΣΟΧΗ: Να χρησιμοποιείτε μόνο γνήσιες μπαταρίες της Makita. Η χρήση μη γνήσιων μπαταριών Makita, ή μπαταριών που έχουν τροποποιηθεί, μπορεί να έχει ως αποτέλεσμα τη ρήξη της μπαταρίας, προκαλώντας πυρκαγιά, προσωπικό τραυματισμό και βλάβη. Επίσης, θα ακυρωθεί η εγγύηση της Makita για το εργαλείο και φορηστή Makita.

Συμβουλές για τη διατήρηση της μέγιστης ζωής μπαταρίας

1. Φορτίζετε την κασέτα μπαταριών πριν από την πλήρη αποφόρτισή της. Πάντοτε να σταματάτε τη λειτουργία του εργαλείου και να φορτίζετε την κασέτα μπαταριών όταν παρατηρείτε μειωμένη ισχύ εργαλείου.
2. Ποτέ μην επαναφορτίζετε μια πλήρως φορτισμένη κασέτα μπαταριών. Η υπερφορτίση μειώνει την ωφέλιμη ζωή της μπαταρίας.
3. Να φορτίζετε την κασέτα μπαταριών σε θερμοκρασία δωματίου, δηλαδή στους 10 °C έως 40 °C. Αφήστε μια θερμή κασέτα μπαταριών να κρυώσει πριν την φορτίσετε.
4. Όταν δεν χρησιμοποιείτε την κασέτα μπαταριών, αφαιρέστε την από το εργαλείο ή τον φορηστή.
5. Να φορτίζετε την κασέτα μπαταριών εάν δεν τη χρησιμοποιείτε για μεγάλη χρονική περίοδο (περισσότερο από έξι μήνες).

ΠΕΡΙΓΡΑΦΗ ΛΕΙΤΟΥΡΓΙΑΣ

▲ ΠΡΟΣΟΧΗ: Να φροντίζετε πάντα για την απεργοποίηση του εργαλείου και την αφαίρεση της κασέτας μπαταρίας, πριν από οποιαδήποτε ρύθμιση ή έλεγχο της λειτουργίας του.

Τοποθέτηση ή αφαίρεση της κασέτας μπαταριών

▲ ΠΡΟΣΟΧΗ: Να σβήνετε πάντα το εργαλείο πριν τοποθετήσετε ή αφαιρέσετε την κασέτα μπαταριών.

▲ ΠΡΟΣΟΧΗ: Κρατήστε το εργαλείο και την κασέτα μπαταριών σταθερά κατά την τοποθέτηση ή αφαίρεση της κασέτας μπαταριών. Εάν δεν κρατάτε το εργαλείο και την κασέτα μπαταριών σταθερά μπορεί να γλιστρήσουν από τα χέρια σας και να προκληθεί βλάβη στο εργαλείο και την κασέτα μπαταριών και προσωπικός τραυματισμός.

Για να τοποθετήσετε την κασέτα μπαταριών, ευθυγραμμίστε τη γλώσσα στην κασέτα μπαταριών με την εγκοπή στο περίβλημα και ολισθήστε τη στη θέση της. Τοποθετήστε την μέχρι τέρμα μέχρι να ασφαλίσει στη θέση της, γεγονός που υποδεικνύεται με ένα χαρακτηριστικό ήχο. Αν μπορείτε να δείτε τον κόκκινο δείκτη όπως απεικονίζεται στην εικόνα, δεν έχει κλειδώσει τελείως.

Για να αφαιρέσετε την κασέτα μπαταριών, ολισθήστε την από το εργαλείο ενώ σύρετε το κουμπί στο μπροστινό μέρος της κασέτας.

► **Εικ.1:** 1. Κόκκινος δείκτης 2. Κουμπί 3. Κασέτα μπαταριών

▲ ΠΡΟΣΟΧΗ: Να τοποθετείτε πάντα την κασέτα μπαταριών πλήρως μέχρι να μη βλέπετε τον κόκκινο δείκτη. Εάν δεν ασφαλιστεί, μπορεί να πέσει από το εργαλείο τυχαία, προκαλώντας σωματική βλάβη σε εσάς ή κάποιον άλλο γύρω σας.

▲ ΠΡΟΣΟΧΗ: Μην τοποθετείτε την κασέτα μπαταριών με βία. Εάν η κασέτα δεν ολισθαίνει με ευκολία, τότε δεν έχει τοποθετηθεί κατάλληλα.

Εμφάνιση υπολειπόμενης χωρητικότητας μπαταρίας

Μόνο για κασέτες μπαταρίας με την ενδεικτική λυχνία

Πιέστε το κουμπί ελέγχου στην κασέτα μπαταριών για να υποδείξετε την υπολειπόμενη χωρητικότητα μπαταρίας. Οι ενδεικτικές λυχνίες ανάβουν για λίγα δευτερόλεπτα.

► **Εικ.2:** 1. Ενδεικτικές λυχνίες 2. Κουμπί ελέγχου

| Ενδεικτικές λυχνίες | | | Υπολειπόμενη χωρητικότητα |
|---------------------|---------|-------------|---|
| Αναμμένες | Σβηστές | Αναβοσβήνου | |
| ■ ■ ■ ■ | | | 75% έως 100% |
| ■ ■ ■ □ | | | 50% έως 75% |
| ■ ■ □ □ | | | 25% έως 50% |
| ■ □ □ □ | | | 0% έως 25% |
| ▬ □ □ □ | | | Φορτίστε την μπαταρία. |
| ■ ■ □ □ | | | Μπορεί να προέκυψε δυσλειτουργία στην μπαταρία. |
| □ □ ■ ■ | | | |

ΠΑΡΑΤΗΡΗΣΗ: Ανάλογα με τις συνθήκες χρήσης και τη θερμοκρασία περιβάλλοντος, η ένδειξη μπορεί να διαφέρει λίγο από την πραγματική χωρητικότητα.

ΠΑΡΑΤΗΡΗΣΗ: Η πρώτη (τέρμα αριστερά) ενδεικτική λυχνία θα αναβοσβήνει όταν λειτουργεί το σύστημα προστασίας μπαταρίας.

Σύστημα προστασίας εργαλείου/ μπαταρίας

Το εργαλείο είναι εξοπλισμένο με σύστημα προστασίας εργαλείου/μπαταρίας. Αυτό το σύστημα αποκτάει αυτόματα την ισχύ προς το μοτέρ για να παραταθεί η διάρκεια λειτουργίας του εργαλείου και της μπαταρίας. Το εργαλείο σταματάει αυτόματα κατά τη διάρκεια της λειτουργίας εάν το εργαλείο ή η μπαταρία βρεθούν κάτω από τις παρακάτω συνθήκες:

Προστασία υπερφόρτωσης

Όταν η μπαταρία λειτουργεί με τρόπο ώστε να αναγκάζεται να καταναλώνει ασυνήθιστα υψηλό ρεύμα, το εργαλείο σταματάει αυτόματα χωρίς καμία ένδειξη. Σε αυτή την κατάσταση, σβήστε το εργαλείο και διακόψτε την εφαρμογή που προκαλεί την υπερφόρτωση του εργαλείου. Μετά, ενεργοποιήστε το εργαλείο για επανεκκίνηση.

Προστασία υπερβολικής αποφόρτισης

Όταν η φόρτιση μπαταρίας δεν είναι αρκετή, το εργαλείο σταματάει αυτόματα. Σε αυτή την περίπτωση, βγάλτε την μπαταρία από το εργαλείο και φορτίστε την μπαταρία.

Προστασία και από άλλες αιτίες

Το σύστημα προστασίας έχει επίσης σχεδιαστεί για άλλες αιτίες που μπορούν να προκαλέσουν ζημιά στο εργαλείο και επιτρέπει την αυτόματη διακοπή του εργαλείου. Λάβετε όλα τα ακόλουθα βήματα για να διορθώσετε τις αιτίες, όταν το εργαλείο τεθεί σε προσωρινή διακοπή ή διακοπή κατά τη διάρκεια της λειτουργίας.

1. Απενεργοποιήστε το εργαλείο και, στη συνέχεια, ενεργοποιήστε το ξανά για επανεκκίνηση.
2. Φορτίστε την μπαταρία ή τις μπαταρίες ή αντικαταστήστε τις με επαναφορτιζόμενες μπαταρίες.
3. Αφήστε το εργαλείο και τις μπαταρίες να ψυχθούν.

Αν δεν υπάρχει βελτίωση με την επαναφορά του συστήματος προστασίας, επικοινωνήστε με το τοπικό σας κέντρο εξυπηρέτησης της Makita.

Δράση διακόπτη

ΠΡΟΕΙΔΟΠΟΙΗΣΗ: Πριν βάλετε την κασέτα σκανδάλης μέσα στο εργαλείο, να ελέγχετε πάντα να δείτε αν η σκανδάλη διακόπτης ενεργοποιείται κανονικά και επιστρέφει στη θέση «OFF» όταν ελευθερώνεται.

Για να αποφευχθεί τυχόν ακούσιο τράβηγμα της σκανδάλης διακόπτη, παρέχεται το κουμπί ασφάλειας σκανδάλης.

Για να θέσετε σε λειτουργία το εργαλείο, πιέστε το κουμπί ασφάλειας σκανδάλης προς την πλευρά Α και τραβήξτε τη σκανδάλη διακόπτη. Αφήστε τη σκανδάλη διακόπτη για να το απενεργοποιήσετε. Μετά τη χρήση, πιέστε το κουμπί ασφάλειας σκανδάλης προς την πλευρά Β.

- **Εικ.3:** 1. Κουμπί ασφάλειας σκανδάλης
2. Σκανδάλη διακόπτη

Αναμμα της μπροστινής λάμπας

ΠΡΟΣΟΧΗ: Μην κοιτάζετε κατευθείαν μέσα στο φως ή στην πηγή φωτός.

Τραβήξτε τη σκανδάλη διακόπτη για να ανάψετε τη λάμπα. Η λάμπα εξακολουθεί να είναι αναμμένη όσο τραβάτε τη σκανδάλη διακόπτη. Η λάμπα σβήνει μόλις αφήσετε τη σκανδάλη διακόπτη.

- **Εικ.4:** 1. Λάμπα

ΠΑΡΑΤΗΡΗΣΗ: Μην ασκείτε δύναμη στη λάμπα επειδή μπορεί να προκληθεί ζημιά σε αυτή ή να συντομεύσει η διάρκεια λειτουργίας της.

ΠΑΡΑΤΗΡΗΣΗ: Χρησιμοποιήστε ένα στεγνό πανί για να σκουπίσετε τη σκόνη από το φακό της λάμπας. Προσέχετε να μη γρατζουνίσετε το φακό της λάμπας, επειδή μπορεί να μειωθεί η ένταση του φωτισμού.

ΣΥΝΑΡΜΟΛΟΓΗΣΗ

ΠΡΟΣΟΧΗ: Να βεβαιώνετε πάντα ότι το εργαλείο είναι σβηστό και η κασέτα μπαταρίας έχει αφαιρεθεί πριν εκτελέσετε κάποια εργασία στο εργαλείο.

Τοποθέτηση ή αφαίρεση της λάμας πριονοκορδέλας

ΠΡΟΣΟΧΗ: Αν υπάρχει λάδι στη λάμα πριονοκορδέλας, η λάμα μπορεί να ολισθήσει ή να αποσυνδεθεί ανεπάντιστα. Πριν τοποθετήσετε τη λάμα πριονοκορδέλας, σκουπίστε όλο το παραπανίσιο λάδι με ένα πανί.

ΠΡΟΣΟΧΗ: Να φοράτε πάντα προστατευτικά γάντια κατά το χειρισμό της λάμας πριονοκορδέλας.

ΠΡΟΣΟΧΗ: Να προσέχετε όταν χειρίζεστε τη λάμα πριονοκορδέλας, για να μην κοπείτε από τα αιχμηρά άκρα των δοντιών της λάμας.

ΠΡΟΣΟΧΗ: Κρατάτε το σώμα σας μακριά από τη λάμα πριονοκορδέλας όταν ελέγχετε την κίνηση της λάμας.

ΠΡΟΣΟΧΗ: Όταν περιστρέφετε δεξιόστροφα το μοχλό σύσφιξης λάμας για να χαλαρώσετε την τάση στη λάμα πριονοκορδέλας, στρέψτε το εργαλείο προς τα κάτω επειδή η λάμα πριονοκορδέλας μπορεί να αποσυνδεθεί ανεπάντιστα.

- **Εικ.5:** 1. Σφίξτε 2. Ξεσφίξτε 3. Μοχλός σύσφιξης λάμας

Για τοποθέτηση της λάμας πριονοκορδέλας:

1. Περιστρέψτε το μοχλό σύσφιξης λάμας δεξιόστροφα μέχρι να σταματήσει να χαλαρώνει τον τροχό.
 2. Αντιστοιχήστε την κατεύθυνση των βελών στη λάμα πριονοκορδέλας και στους τροχούς.
 3. Εισαγάγετε την μη οδοντωτή πλευρά της λάμας πριονοκορδέλας στο άνω στήριγμα και στο κάτω στήριγμα. Βεβαιωθείτε ότι η λάμα πριονοκορδέλας στο άνω και κάτω στήριγμα αγγίζει τα κάτω ρουλεμάν.
- **Εικ.6:** 1. Κάτω στήριγμα 2. Άνω στήριγμα 3. Κάτω ρουλεμάν

4. Ενώ πατάτε το μεσαίο τμήμα της λάμας πριονοκορδέλας, τοποθετήστε τη λάμα γύρω από έναν τροχό. Αυτό διευκολύνεται, αν μετακινήσετε τον τροχό στην πλευρά Α.

- **Εικ.7:** 1. Τροχός 2. Ελαστικό

5. Με παρόμοιο τρόπο, τοποθετήστε τη λάμα πριονοκορδέλας στον άλλο τροχό.
6. Τοποθετήστε το άκρο της λάμας πριονοκορδέλας στο ελαστικό.
7. Κρατήστε τη λάμα πριονοκορδέλας στη θέση της και περιστρέψτε το μοχλό σύσφιξης λάμας αριστερόστροφα μέχρι να σταματήσει. Έτσι εφαρμόζεται η σωστή τάση στη λάμα πριονοκορδέλας.

ΕΙΔΟΠΟΙΗΣΗ: Βεβαιωθείτε ότι η λάμα πριονοκορδέλας είναι σωστά τοποθετημένη γύρω από τους τροχούς.

ΕΙΔΟΠΟΙΗΣΗ: Αρχίστε και διακόψτε τη λειτουργία του εργαλείου δύο ή τρεις φορές για να βεβαιωθείτε ότι η λάμα πριονοκορδέλας γυρίζει σωστά στους τροχούς.

Για να αφαιρέσετε τη λάμα πριονοκορδέλας, ακολουθήστε τη διαδικασία τοποθέτησης με αντίστροφη σειρά.

Ρύθμιση της θέσης της πλάκας αναστολέα

Κατά τη συνήθη λειτουργία, προεκτείνετε πλήρως την πλάκα αναστολέα προς την πλευρά Α. Όταν η πλάκα αναστολέα χτυπήσει κάποιο εμπόδιο, όπως έναν τοίχο ή κάτι παρόμοιο, κατά το τέλος της κοπής, χαλαρώστε τα δύο μπουλόνια και σύρετέ τη στην πλευρά Β όπως απεικονίζεται στην εικόνα.

Αφού σύρετε την πλάκα αναστολέα, σφίξτε καλά τα δύο μπουλόνια για να την ασφαλίσετε.

► **Εικ.8:** 1. Πλάκα αναστολέα 2. Μπουλόνια 3. Λάμα πριονοκορδέλας

Τοποθέτηση γάντζου

Προαιρετικό εξάρτημα

▲ ΠΡΟΣΟΧΗ: Μη χρησιμοποιείτε το γάντζο για άλλους σκοπούς εκτός από το προσωρινό κρέμασμα του εργαλείου. Αν το κάνετε αυτό, ο γάντζος μπορεί να βγει από το εργαλείο και να έχει ως αποτέλεσμα ατομικό τραυματισμό.

Ο γάντζος χρησιμεύει για το κρέμασμα του εργαλείου. Κρεμάστε το εργαλείο σε μια μέγερνη για σωλήνες ή άλλη κατάλληλη, σταθερή δομή.

Για να εγκαταστήσετε το γάντζο, τοποθετήστε το γάντζο δίπλα από την εγκοπή και σφίξτε τον με τις δύο βίδες.

► **Εικ.9:** 1. Γάντζος 2. Βίδες

ΛΕΙΤΟΥΡΓΙΑ

▲ ΠΡΟΣΟΧΗ: Πάντα να εισαγάγετε την κασέτα μπαταριών έως το τέρμα, μέχρι να ασφαλίσει στη θέση της. Αν μπορείτε να δείτε την κόκκινη ένδειξη στην επάνω πλευρά του κουμπιού, δεν έχει κλειδώσει τελείως. Εισαγάγετέ την πλήρως έτσι ώστε να μην φαίνεται η κόκκινη ένδειξη. Σε αντίθετη περίπτωση, μπορεί να πέσει κατά λάθος από το εργαλείο και να τραυματίσει εσάς ή κάποιον παρευρισκόμενο.

▲ ΠΡΟΣΟΧΗ: Να κρατάτε πάντα την μπροστινή και πίσω λαβή. Μην κρατάτε ποτέ το σώμα ή τα προστατευτικά του εργαλείου. Τα χέρια σας μπορεί να γλιστρήσουν από αυτές τις τοποθεσίες και να έρθουν σε επαφή με τη λάμα πριονοκορδέλας. Μπορεί να έχει ως αποτέλεσμα ατομικό τραυματισμό.

▲ ΠΡΟΣΟΧΗ: Βεβαιωθείτε να κρατάτε το εργαλείο σταθερά πριν ενεργοποιήσετε ή απενεργοποιήσετε το εργαλείο ή κατά την κοπή. Διαφορετικά, το εργαλείο μπορεί να πέσει και να προκαλέσει ατομικό τραυματισμό.

ΠΑΡΑΤΗΡΗΣΗ: Όταν κόβετε μέταλλο, συνιστάται να φοράτε γάντια για να προστατεύετε τα χέρια σας από εκτοξευόμενα, ζεστά θραύσματα.

Για σταθερή κοπή, να διατηρείτε πάντα δύο τουλάχιστον δόντια στην κοπή.

► **Εικ.10**

Εφαρμόστε τη λάμα πριονοκορδέλας στην κατάλληλη θέση κοπής στο τεμάχιο εργασίας όπως απεικονίζεται.

► **Εικ.11**

1. Να κρατάτε το εργαλείο και με τα δύο χέρια όπως απεικονίζεται.

Πριν ενεργοποιήσετε το εργαλείο, να βεβαιώνεστε πάντα ότι η πλάκα αναστολέα έρχεται σε επαφή με το τεμάχιο εργασίας και η λάμα πριονοκορδέλας δεν ακουμπά στο τεμάχιο εργασίας.

► **Εικ.12**

2. Ενεργοποιήστε το εργαλείο και περιμένετε μέχρι η λάμα πριονοκορδέλας να αποκτήσει πλήρη ταχύτητα. Χαμηλώστε αργά τη λάμα μέσα στην κοπή. Το βάρος του εργαλείου ή η άσκηση μικρής πίεσης στο εργαλείο θα παρέχουν επαρκή πίεση για την κοπή. Μην ασκείτε δύναμη στο εργαλείο.

► **Εικ.13**

3. Καθώς πλησιάζετε το τέλος της κοπής, μην ασκείτε πίεση και ανασήκωστε το λίγο προς τα πάνω ώστε να μην πέφτει το βάρος επάνω στο τεμάχιο εργασίας.

ΕΙΔΟΠΟΙΗΣΗ: Αν ασκήσετε υπερβολική πίεση στο εργαλείο ή συστρέψετε τη λάμα πριονοκορδέλας, μπορεί να προκληθεί λοξή κοπή ή ζημιά στη λάμα.

ΕΙΔΟΠΟΙΗΣΗ: Όταν δεν χρησιμοποιείτε το εργαλείο για μεγάλο χρονικό διάστημα, βγάλτε τη λάμα πριονοκορδέλας από το εργαλείο.

ΕΙΔΟΠΟΙΗΣΗ: Αν το εργαλείο λειτουργεί συνεχόμενα έως ότου αποφορτιστεί η κασέτα μπαταριών, αφήστε το εργαλείο σηστό για 15 λεπτά πριν συνεχίσετε την εργασία με ανανεωμένη μπαταρία.

Ρύθμιση της διαδρομής λάμας

Όταν η λάμα πριονοκορδέλας τείνει να γλιστρήσει από τον τροχό, ρυθμίστε τη διαδρομή λάμας.

Για ρύθμιση, εισαγάγετε το εξαγωνικό κλειδί στην οπή ρύθμισης, όπως απεικονίζεται, και περιστρέψτε κατά ένα τέταρτο δεξιόστροφα. Μετά από αυτό, ελέγξτε ότι η λάμα πριονοκορδέλας δεν γλιστράει έξω.

Αν γλιστράει έξω, περιστρέψτε κατά ένα τέταρτο ακόμη και ελέγξτε ότι η λάμα πριονοκορδέλας δεν γλιστράει έξω.

► **Εικ.14:** 1. Εξαγωνικό κλειδί 2. Οπή ρύθμισης

Λιπαντικό κοπής

▲ ΠΡΟΣΟΧΗ: Μη χρησιμοποιείτε ποτέ λάδι κοπής και ποτέ μην εφαρμόζετε υπερβολική ποσότητα κεριού στη λάμα πριονοκορδέλας. Αυτή μπορεί να ολισθήσει ή να αποσυνδεθεί ανεπάνεχα.

▲ ΠΡΟΣΟΧΗ: Όταν κόβετε χυτοσίδηρο, μη χρησιμοποιείτε καθόλου κεριό κοπής.

Όταν κόβετε μέταλλα, να χρησιμοποιείτε κεριό κοπής της Makita ως λιπαντικό κοπής. Για να εφαρμόσετε το κεριό κοπής στα δόντια της λάμας πριονοκορδέλας, βγάλτε το καπάκι του κεριού κοπής, ξεκινήστε το εργαλείο και κόψτε μέσα στο κεριό κοπής, όπως απεικονίζεται.

► **Εικ.15:** 1. Κεριό κοπής

ΣΥΝΤΗΡΗΣΗ

⚠ ΠΡΟΣΟΧΗ: Πριν την εκτέλεση εργασιών επιθεώρησης ή συντήρησης, πάντοτε να βεβαιώνετε ότι η συσκευή απενεργοποιήθηκε και η κασέτα μπαταριών έχει αφαιρεθεί.

ΕΙΔΟΠΟΙΗΣΗ: Μην χρησιμοποιείτε ποτέ βενζίνη, πετρελαϊκό αιθέρα, διαλυτικό, αλκοόλη ή παρόμοιες ουσίες. Μπορεί να προκληθεί αποχρωματισμός, παραμόρφωση ή ρωγμές.

Για τη διατήρηση της ΑΣΦΑΛΕΙΑΣ και ΑΞΙΟΠΙΣΤΙΑΣ του προϊόντος, οι επισκευές και οποιαδήποτε άλλη εργασία συντήρησης ή ρύθμισης πρέπει να εκτελούνται από εξουσιοδοτημένα ή εργοστασιακά κέντρα εξυπηρέτησης της Makita, χρησιμοποιώντας πάντοτε ανταλλακτικά της Makita.

Καθαρισμός

⚠ ΠΡΟΣΟΧΗ: Αν υπάρχει κερί και θραύσματα στα ελαστικά του τροχού, η λάμα πριονοκορδέλας μπορεί να ολισθήσει και να αποσυνδεθεί ανεπάντευχα. Χρησιμοποιήστε ένα στεγνό πανί για να αφαιρέσετε το κερί και τα θραύσματα από τα ελαστικά.

Μετά τη χρήση, αφαιρέστε το κερί, τα θραύσματα και τη σκόνη από το εργαλείο, τα ελαστικά στον τροχό και τη λάμα πριονοκορδέλας.

Αντικατάσταση των ελαστικών στους τροχούς

Αντικαταστήστε τα ελαστικά όταν η λάμα πριονοκορδέλας γλιστρήσει ή δεν παραμένει σωστά στη διαδρομή λόγω πολύ φθαρμένων ελαστικών.

Για την αντικατάσταση του ελαστικού, απευθυνθείτε σε εξουσιοδοτημένα ή εργοστασιακά κέντρα σέρβις της Makita.

ΠΡΟΑΙΡΕΤΙΚΑ ΕΞΑΡΤΗΜΑΤΑ

⚠ ΠΡΟΣΟΧΗ: Αυτά τα εξαρτήματα ή προσαρτήματα συνιστώνται για χρήση με το εργαλείο Makita που περιγράφηκε στις οδηγίες αυτές. Η χρήση οποιωνδήποτε άλλων εξαρτημάτων ή προσαρτημάτων μπορεί να προκαλέσει κίνδυνο τραυματισμού σε άτομα. Να χρησιμοποιείτε τα εξαρτήματα ή προσαρτήματα μόνο για την χρήση που προορίζονται.

Εάν χρειάζεστε οποιαδήποτε βοήθεια για περισσότερες πληροφορίες σε σχέση με αυτά τα εξαρτήματα, απευθυνθείτε στο τοπικό σας κέντρο εξυπηρέτησης Makita.

- Γνήσια μπαταρία και φορτιστής της Makita
- Λάμες πριονοκορδέλας
- Εξαγωνικό κλειδί 4
- Κερί κοπής
- Γάντζος

• Κάλυμμα τροχού

ΕΙΔΟΠΟΙΗΣΗ: Όταν ανοίγετε το κάλυμμα τροχού, ανοίξτε και απελευθερώστε και τους δύο γάντζους ταυτόχρονα. Αν ανοίξετε μόνο ένα γάντζο, μπορεί να προκληθεί ράγισμα στο κάλυμμα τροχού.

► **Εικ.16:** 1. Κάλυμμα τροχού 2. Γάντζος

ΠΑΡΑΤΗΡΗΣΗ: Μερικά στοιχεία στη λίστα μπορεί να συμπεριλαμβάνονται στη συσκευασία εργαλείου ως στάνταρ εξαρτήματα. Μπορεί να διαφέρουν ανάλογα με τη χώρα.

TEKNİK ÖZELLİKLER

| | | |
|---|-----------------------|--------------------------|
| Model: | | DPB182 |
| Maks. kesme kapasitesi | Yuvarlak iş parçası | 64 mm çap |
| | Dikdörtgen iş parçası | 64 mm x 64 mm |
| Bıçak hızı | | 3,2 m/s (190 m/min) |
| Bıçak boyutu | Uzunluk | 835 mm |
| | Genişlik | 13 mm |
| | Kalınlık | 0,5 mm |
| Boyutlar (U x G x Y), çark kapağı olmadan | | 477 mm x 197 mm x 229 mm |
| Anma voltajı | | D.C. 18 V |
| Net ağırlık, çark kapağı olmadan | | 3,8 - 4,1 kg |

- Sürekli yapılan araştırma ve geliştirmelerden dolayı, burada belirtilen özellikler önceden bildirilmeksizin değiştirilebilir.
- Özellikler ülkeden ülkeye değişebilir.
- Ağırlık, ekli aksesuara/aksesuarlara ve batarya kartuşuna bağlı olarak farklılık gösterebilir. En hafif ve en ağır kombinasyon tabloda gösterilmiştir.

Geçerli batarya kartuşu ve şarj aleti

| | |
|-----------------|---|
| Batarya kartuşu | BL1815N / BL1820B / BL1830B / BL1840B / BL1850B / BL1860B |
| Şarj aleti | DC18RC / DC18RD / DC18RE / DC18SD / DC18SE / DC18SF / DC18SH / DC18WC |

- Yukarıda listelenen batarya kartuşlarının ve şarj aletlerinin bazıları yaşadığınız bölgeye bağlı olarak mevcut olmayabilir.

⚠UYARI: Sadece yukarıda listelenen batarya kartuşlarını ve şarj aletlerini kullanın. Başka batarya kartuşlarının ve şarj aletlerinin kullanılması yaralanma ve/veya yangına neden olabilir.

Kullanım amacı

Bu alet plastik ve demir malzemeleri kesmek amacıyla kullanılır.

Gürültü

Tipik A-ağırlıklı gürültü düzeyi (EN60745-2-20 standardına göre belirlenen):

Ses basınç seviyesi (L_{pA}): 79 dB (A)

Belirsizlik (K): 3 dB (A)

İşlem sırasında gürültü seviyesi 80 dB (A)'yi geçebilir.

NOT: Beyan edilen gürültü emisyonu değer(ler)i bir standart test yöntemine uygun şekilde ölçülmüştür ve bir aleti bir başkasıyla karşılaştırmak için kullanılabilir.

NOT: Beyan edilen gürültü emisyonu değer(ler)i bir ön maruz kalma değerlendirmesi olarak da kullanılabilir.

⚠UYARI: Kulak koruyucuları takın.

⚠UYARI: Elektrikli aletin gerçek kullanımı sırasındaki gürültü emisyonu, aletin kullanım biçimlerine, özellikle işlenen iş parçasının türüne bağlı olarak beyan edilen değer(ler)den farklı olabilir.

⚠UYARI: Gerçek kullanım koşullarındaki tahmini maruziyeti baz alan, operatörü koruyacak güvenlik önlemlerini mutlaka belirleyin (çalışma döngüsü içerisinde aletin kapalı olduğu ve aktif durumda olmasının yanı sıra boşta çalıştığı zamanlar gibi, bütün zaman dilimleri göz önünde bulundurarak).

Titreşim

Titreşim toplam değeri (üç eksenli vektör toplamı) (EN60745-2-20 standardına göre hesaplanan):

Çalışma modu: metal kesme

Titreşim emisyonu ($a_{h,CM}$): 2,5 m/s² veya daha az

Belirsizlik (K): 1,5 m/s²

NOT: Beyan edilen titreşim toplam değer(ler)i bir standart test yöntemine uygun şekilde ölçülmüştür ve bir aleti bir başkasıyla karşılaştırmak için kullanılabilir.

NOT: Beyan edilen titreşim toplam değer(ler)i bir ön maruz kalma değerlendirmesi olarak da kullanılabilir.

⚠UYARI: Elektrikli aletin gerçek kullanımı sıradaki titreşim emisyonu, aletin kullanım biçimlerine, özellikle işlenen iş parçasının türüne bağlı olarak beyan edilen değer(ler)den farklı olabilir.

⚠UYARI: Gerçek kullanım koşullarındaki tahmini maruziyeti baz alan, operatörü koruyacak güvenli ölçümlerini mutlaka belirleyin (çalışma döngüsü içerisinde aletin kapalı olduğu ve aktif durumda olmasının yanı sıra boşta çalıştığı zamanlar gibi, bütün zaman dilimleri göz önünde bulundurarak).

Uygunluk Beyanları

Sadece Avrupa ülkeleri için

Uygunluk beyanları bu kullanma kılavuzuna Ek A olarak eklenmiştir.

GÜVENLİK UYARILARI

Genel elektrikli alet güvenliği uyarıları

⚠UYARI Bu elektrikli aletle birlikte verilen tüm güvenlik uyarılarını, talimatları, resimli açıklamaları ve teknik özellikleri okuyun. Aşağıda listelenen talimatların herhangi birine uyulmaması elektrik çarpması, yangın ve/veya ciddi yaralanma ile sonuçlanabilir.

Tüm uyarıları ve talimatları ile-ride başvurmak için saklayın.

Uyarılardaki "elektrikli alet" terimi ile ya prizden çalışan (kordonlu) elektrikli aletiniz ya da kendi aküsü ile çalışan (kordsuz) elektrikli aletiniz kastedilmektedir.

Akülü Portatif Şerit Testere Güvenlik Uyarıları

1. Kesici aksesuarın görünmeyen kablolarla temas etme olasılığı bulunan yerlerde çalışırken elektrikli aleti yalıtımlı kavrama yüzeyinden tutun. Kesici aksesuarların "akımlı" bir telle temas etmesi elektrikli aletin yalıtımsız metal kısımlarını "akımlı" hale getirebilir ve kullanıcıyı elektrik şokuna maruz bırakabilir.

Ek Güvenlik Uyarıları:

2. Sadece "TEKNİK ÖZELLİKLER" bölümünde listelenen bıçakları kullanın.
3. Kullanmadan önce bıçakta çatlak ya da hasar olup olmadığını dikkatlice kontrol edin. Çatlak veya hasarlı bıçağı hemen değiştirin.
4. İş parçasını sıkıca sabitleyin. Bir demet iş parçasını keserken kesmeden önce tüm iş parçalarının birlikte iyice sabitlendiklerinden emin olun.
5. Yağ ile kaplı iş parçalarını kesmek bıçağın beklenmedik bir şekilde çıkmasına neden olabilir. Kesmeden önce iş parçalarından tüm fazla yağı silerek temizleyin.
6. Kesme yağını asla bir kesme kayganlaştırıcı

olarak kullanmayın. Sadece Makita kesme balmumu kullanın.

7. Çalışma sırasında eldiven giymeyin.
8. Aleti iki elinizle sıkıca kavrayın.
9. Ellerinizi dönen parçalardan uzak tutun.
10. Metal keserken sıçrayan sıcak talaşlara dikkat edin.
11. Aleti çalışır durumda gözetimsiz bırakmayın.
12. Çalışmadan hemen sonra bıçağı veya iş parçasına dokunmayın; bunlar oldukça sıcak olabilirler ve cildinizi yakabilirler.
13. Çalışma öncesinde çalışma alanında elektrik borusu, su borusu veya gaz borusu gibi gömülü nesnelere olmadığından emin olun. Aksi takdirde şerit testere bıçağı bunlara dokunarak elektrik çarpmasına, elektrik kaçağına veya gaz kaçağına yol açabilir.

BU TALİMATLARI MUHAFAZA EDİNİZ.

⚠UYARI: Ürünü kullanırken (defalarca kullanınca kazanılan) rahatlık ve tanıdıklık duygusunun ilgili ürünün güvenlik kurallarına sıkı sıkıya bağlı kalmanın yerine geçmesine İZİN VERMEYİN. YANLIŞ KULLANIM veya bu kullanma kılavuzunda belirtilen emniyet kurallarına uymama ciddi yaralanmaya neden olabilir.

Batarya kartuşu hakkında önemli güvenlik talimatları

1. Batarya kartuşunu kullanmadan önce, tüm talimatları ve (1) batarya kartuşu, (2) batarya ve (3) ürün üzerindeki tüm uyarı işaretlerini okuyun.
2. Batarya kartuşunu parçalarına ayırmayın veya kurcalamayın. Yangın, aşırı ısı veya patlamaya neden olabilir.
3. Çalışma süresi aşırı derecede kısalırsa kullanmayı derhal bırakın. Aşırı ısınma, yanma riski hatta patlamaya neden olabilir.
4. Gözünüze elektrolit kaçarsa, gözlerinizi temiz suyla durulayın ve hemen tıbbi yardım alın. Görme kaybına yol açabilir.
5. Batarya kartuşuna kısa devre yaptırmayın:
 - (1) Terminallere herhangi bir iletken madde değdirmeyin.
 - (2) Batarya kartuşunu çiviler, madeni paralar, vb. gibi başka metal nesnelere aynı kaba koymaktan kaçının.
 - (3) Batarya kartuşunu yağmura ya da suya maruz bırakmayın.
6. Kısa devre, büyük bir akım akışına, aşırı ısınmaya, olası yangınlara hatta bataryanın bozulmasına yol açabilir.
7. Aleti ve batarya kartuşunu sıcaklığın 50°C ya da daha yükseğe ulaştığı yerlerde saklamayın ve kullanmayın.
8. Aşırı derecede hasar görmüş ya da tamamen kullanılamaz durumda olsa bile batarya kartuşunu yakmayın. Batarya kartuşu ateşe atılırsa patlayabilir.
9. Batarya kartuşunu çivilemeyin, kesmeyin,

ezmeyin, fırlatmayın, düşürmeyin ya da batarya kartuşuna sert bir nesne ile vurmayın. Bu eylemler yangın, aşırı ısı veya patlamaya neden olabilir.

9. **Hasarlı bataryayı kullanmayın.**
10. **Aletin içerdği lityum-iyon bataryalar Tehlikeli Eşyalar Yönetmeliğinin gereksinimlerine tabidir.**

Ticari nakliye işlemleri için, örneğin üçüncü taraflar, nakliye acenteleri tarafından yapılan nakliyelerde, paketleme ve etiketleme gereksinimlerine uyulmalıdır.

Nakliyesi yapılacak ürünün hazırlanması için, tehlikeli maddeler konusunda uzman bir kişiye danışın. Lütfen muhtemelen daha ayrıntılı olan ulusal yönetmeliklere de uyun.

Açık kontakları bantlayın ya da maskeleyin ve bataryayı paketin içinde hareket etmeyecek şekilde paketleyin.
11. **Batarya kartuşunu bertaraf ederken aletten çıkarın ve güvenli bir yerde bertaraf edin. Bataryanın bertaraf edilmesi ile ilgili yerel düzenlemelere uyunuz.**
12. **Bataryaları sadece Makita tarafından belirtilen ürünlerle kullanın.** Bataryaların uyumsuz ürünlere takılması; yangın, aşırı ısınma, patlama ya da elektrolit sızıntısına neden olabilir.
13. **Alet uzun süre kullanılmayacaksa batarya aletten çıkarılmalıdır.**
14. **Kullanma sırasında ve sonrasında batarya kartuşu ısınarak yanıklara veya düşük sıcaklık yanıklarına yol açabilir. Sıcak batarya kartuşları ile işlem yaparken dikkat edin.**
15. **Yanıklara neden olabilecek kadar sıcak olabileceğinden kullandıktan hemen sonra aletin terminaline dokunmayın.**
16. **Batarya kartuşunun terminallerine, deliklerine ve kanallarına mıcır, toz veya toprak girmesine izin vermeyin.** Aletin veya batarya kartuşunun ısınmasına, alev almasına, patlamasına ve arızalanmasına neden olarak yanıklara veya yaralanmaya yol açabilir.
17. **Alet yüksek gerilim elektrik güç hatlarında kullanımı desteklemediği sürece batarya kartuşunu yüksek gerilim elektrik güç hatlarının yakınında kullanmayın.** Aletin veya batarya kartuşunun arızalanmasına veya bozulmasına neden olabilir.
18. **Bataryayı çocuklardan uzak tutun.**

BU TALİMATLARI MUHAFAZA EDİNİZ.

⚠DİKKAT: Sadece orijinal Makita bataryalarını kullanın. Orijinal olmayan Makita bataryaları ya da üzerine değişiklik yapılmış bataryaların kullanımı bataryanın patlamasına ve sonuç olarak yangın, kişisel yaralanma ve hasara neden olabilir. Ayrıca Makita aleti ve şarj aletinin Makita tarafından sunulan garantisini de geçersiz olur.

Maksimum batarya ömrü için ipuçları

1. **Batarya kartuşunu tamamen boşalmadan önce**

şarj edin. Aletin gücünün zayıflamaya başladığını fark ettiğinizde aleti durdurun ve batarya kartuşunu şarj edin.

2. **Tam dolu bir batarya kartuşunu asla yeniden şarj etmeyin. Aşırı şarj etme bataryanın hizmet ömrünü kısaltır.**
3. **Batarya kartuşunu 10 °C - 40 °C oda sıcaklığında şarj edin. Sıcak bir batarya kartuşunu şarj etmeden önce soğumasını bekleyin.**
4. **Batarya kartuşunu kullanmıyorken aletten veya şarj aletinden çıkarın.**
5. **Uzun bir süre (altı aydan daha fazla) kullanmadığınız durumlarda batarya kartuşunu şarj edin.**

İŞLEVSEL NİTELİKLER

⚠DİKKAT: Alet üzerinde ayarlama veya işleyiş kontrolü yapmadan önce aletin kapalı ve batarya kartuşunun ayrılmış olduğundan daima emin olun.

Batarya kartuşunun takılması ve çıkarılması

⚠DİKKAT: Batarya kartuşunu takmadan ya da çıkarmadan önce aleti daima kapatın.

⚠DİKKAT: Batarya kartuşunu takarken veya çıkarırken aleti ve batarya kartuşunu sıkıca tutun. Aletin ve batarya kartuşunun sıkıca tutulmaması bunların düşürülmesine sebep olabilir ve alet ve batarya kartuşunun zarar görmesine ya da ciddi yaralanmasına yol açabilir.

Batarya kartuşunu takmak için, batarya kartuşu üzerindeki dili yuvanın oluğu ile hizalayın ve kartuşu yerine oturtun. Kartuşu, küçük bir tık sesi ile yerine sabitlenene dek sonuna kadar ittirin. Şekilde gösterildiği gibi kırmızı göstergiyi görebiliyorsanız tam olarak kilitlenmemiş demektir.

Batarya kartuşunu çıkarmak için, kartuşun ön tarafındaki düğmeyi kaydırarak kartuşu aletten çıkarın.

► **Şek.1:** 1. Kırmızı gösterge 2. Düğme 3. Batarya kartuşu

⚠DİKKAT: Batarya kartuşunu daima kırmızı gösterge görünmeyecek şekilde tam olarak takın. Yerine tam oturmazsa, aletten yanlışlıkla düşebilir, sizin ya da çevrenizdeki kişilerin yaralanmasına neden olabilir.

⚠DİKKAT: Batarya kartuşunu zorlayarak takmayın. Kartuş kolay bir şekilde kaymıyorsa doğru yerleştirilmemiş demektir.










Kalan batarya kapasitesinin gösterilmesi

Sadece göstergeli batarya kartuşları için

Kalan batarya kapasitesini göstermesi için batarya kartuşu üzerindeki kontrol düğmesine basın. Gösterge

lambaları birkaç saniye yanar.

► **Şek.2:** 1. Gösterge lambaları 2. Kontrol düğmesi

| Gösterge lambaları | | | Kalan kapasite |
|---|---|---|-------------------------------|
| Yanıyor | Kapalı | Yanıp sönyüyor | |
|  |  |  | |
|  | | | %75 ila %100 |
|  | | | %50 ila %75 |
|  | | | %25 ila %50 |
|  | | | %0 ila %25 |
|  | | | Bataryayı şarj edin. |
|  | | | Batarya arızalanmış olabilir. |

NOT: Kullanım koşullarına ve ortam sıcaklığına bağlı olarak, gösterilen değer gerçek kapasiteden biraz farklılık gösterebilir.

NOT: İlık (en soldaki) gösterge lambası, batarya koruma sistemi çalıştığıında yanıp söner.

Alet/batarya koruma sistemi

Bu alet bir alet/batarya koruma sistemi ile donatılmıştır. Bu sistem motora giden gücü otomatik olarak keserek uzun alet ve batarya ömrü sağlar. Alet veya batarya için aşağıdaki durumlardan biri söz konusu olduğunda aletin işleyişi otomatik olarak durur:

Aşırı yük koruması

Batarya, anormal derecede yüksek akım çekmesine neden olacak şekilde kullanıldığında, alet hiçbir belirti vermeden otomatik olarak durur. Bu durumda, aleti kapatın ve aletin aşırı yüklenmesine neden olan uygulamayı durdurun. Daha sonra aleti yeniden başlatması için çalıştırın.

Aşırı deşarj koruması

Batarya kapasitesi yeterli olmadığında, alet otomatik olarak durur. Bu durumda, bataryayı aletten çıkarın ve bataryayı tekrar şarj edin.

Diğer nedenlere karşı korumalar

Koruma sistemi, alete zarar verebilecek diğer nedenler için de tasarlanmıştır ve aletin otomatik olarak durmasını sağlar. Alet çalışırken geçici duraklama ve durma yaparsa nedenleri ortadan kaldırmak için aşağıdaki tüm adımları uygulayın.

1. Aleti kapatın ve ardından tekrar açarak yeniden çalıştırın.
2. Bataryaları şarj edin veya şarjlı bataryalarla deęiştirin.
3. Cihazın ve bataryaların soğumasını bekleyin.

Koruma sistemi eski haline getirilerek ilerleme kaydedilemezse yerel Makita Servis Merkezinize başvurun.

Anahtar işlemleri

⚠UYARI: Batarya kartuşunu alete takmadan önce anahtar tetiğın doğru çalıştığıından ve bırakıldığıında “OFF” (kapalı) konumuna döndüğünden emin olun.

Anahtar tetiğın kazara çekilmesini engellemek için tetik kilitleme düğmesi sağlanmıştır.

Aleti çalıştırmak için tetik kilitleme düğmesine A tarafından basarak anahtar tetiğini çekin. Durdurmak için anahtar tetiğini bırakın. Kullandıktan sonra tetik kilitleme düğmesine B tarafından basın.

► **Şek.3:** 1. Tetik kilitleme düğmesi 2. Anahtar tetik

Ön lambanın yakılması

⚠DİKKAT: Işığa bakmayın ya da ışık kaynağını doğrudan görmeyin.

Lambayı yakmak için anahtar tetiğini çekin. Anahtar tetik çekilirken lamba yanmaya devam eder. Anahtar tetik bırakılınca lamba söner.

► **Şek.4:** 1. Lamba

NOT: Lambaya hasar vermemesi veya kullanım ömrünü kısaltmaması için lambayı darbeye maruz bırakmayın.

NOT: Lamba lensini temizlemek için kuru bir bez kullanın. Aydınlatmayı azaltacağı için lamba lensinin çizilmemesine dikkat edin.

MONTAJ

⚠DİKKAT: Alet üzerinde herhangi bir iş yapmadan önce aletin kapalı ve batarya kartuşunun ayrılmış olduğundan daima emin olun.

Şerit testere bıçağının takılması veya sökülmesi

⚠ DİKKAT: Şerit testere bıçağı üzerindeki yağ, bıçağın beklenmedik bir şekilde kaymasına veya çıkmasına neden olabilir. Şerit testere bıçağını takmadan önce fazla tüm yağı bir bezle silerek temizleyin.

⚠ DİKKAT: Şerit testere bıçağıyla uğraşırken daima koruyucu eldiven kullanın.

⚠ DİKKAT: Bıçak dişlerinin keskin kenarlarıyla kesilmeyi engellemek için şerit testere bıçağıyla uğraşırken dikkatli olun.

⚠ DİKKAT: Bıçak hareketini kontrol ederken gövdenizi şerit testere bıçağından uzak tutun.

⚠ DİKKAT: Şerit testere bıçağının gerginliğini açmak için bıçak sıkma kolunu saat yönünde çevirirken şerit testere bıçağı beklenmedik bir şekilde çıkabileceğinden aleti aşağı doğru yönlendirin.

► **Şek.5:** 1. Sıkın 2. Gevşetin 3. Bıçak sıkma kolu

Şerit testere bıçağını takmak için:

1. Çarkı gevşetmek için bıçak sıkma kolunu durana kadar saat yönünde çevirin.

2. Şerit testere bıçağı ile çarklar üzerindeki okların yönünü eşleştirin.

3. Şerit testere bıçağının dişli olmayan tarafını üst tutucu ve alt tutucuya sokun. Şerit testere bıçağının hem üst hem de alt tutucuda alt rulmanlara değiştiğinden emin olun.

► **Şek.6:** 1. Alt tutucu 2. Üst tutucu 3. Alt rulman

4. Şerit testere bıçağının orta kısmına basarak bıçağı bir çarkın etrafına yerleştirin. Çarkın A tarafına hareket ettirilmesi bu işlemi kolaylaştırır.

► **Şek.7:** 1. Çark 2. Kauçuk lastik

5. Şerit testere bıçağını benzer şekilde diğer çarka da yerleştirin.

6. Şerit testere bıçağının kenarını kauçuk lastik üzerine yerleştirin.

7. Şerit testere bıçağını yerinde tutarak bıçak sıkma kolunu durana kadar saatin aksi yönünde çevirin. Bu işlem, şerit testere bıçağını uygun gerginliğe getirir.

ÖNEMLİ NOT: Şerit testere bıçağının çarkların etrafına doğru yerleştirildiğinden emin olun.

ÖNEMLİ NOT: Şerit testere bıçağının çarkların üzerinde düzgün çalıştığından emin olmak için aleti iki-üç kez çalıştırıp durdurun.

Şerit testere bıçağını çıkarmak için, takma işlemini tersinden uygulayın.

Durdurucu plaka konumunun ayarlanması

Normal çalışmada durdurucu plakayı A tarafına sonuna kadar uzatın.

Durdurucu plaka bir kesimin sonunda duvar veya benzeri engellere çarparsa iki civatayı gevşeterek plakayı şekilde gösterilen B tarafına kaydırın.

Durdurucu plakayı kaydandıktan sonra iki civatayı iyice

sıkarak sabitleyin.

► **Şek.8:** 1. Durdurucu plaka 2. Civatalar 3. Şerit testere bıçağı

Kancanın takılması

İsteğe bağlı aksesuar

⚠ DİKKAT: Kancayı, aleti geçici olarak asmak dışında başka amaçla kullanmayın. Aksi takdirde kanca aletten çıkabilir ve yaralanmaya neden olabilir.

Kanca, aleti asmak için kullanılırdır. Aleti herodu menegenesi veya başka uygun, sabit yapılara asın.

Kancayı takmak için, kancayı oluğun yanına yerleştirin ve iki vidayla sıkın.

► **Şek.9:** 1. Kanca 2. Vidalar

KULLANIM

⚠ DİKKAT: Batarya kartuşunu daima yerine tam kilitlene kadar itin. Düğmenin üst tarafındaki kırmızı göstergeli görüyorsanız, kartuş tam kilitlenmemiş demektir. Kırmızı gösterge görünmeyecek şekilde tam olarak oturtun. Aksi takdirde, aletten yanlışlıkla düşebilir, sizin ya da çevrenizdeki kişilerin yaralanmasına neden olabilir.

⚠ DİKKAT: Daima ön ve arka tutamaklardan tutun. Aletin gövdesini veya siperleri tutmayın. Eller bu yerlerden kayabilir ve şerit testere bıçağına temas edebilir. Bu, yaralanmaya neden olabilir.

⚠ DİKKAT: Aleti açıp kapatırken veya kesim yaparken aleti sıkıca tuttuğunuzdan emin olun. Aksi takdirde, alet düşebilir ve yaralanmaya neden olabilir.

NOT: Metal keserken ellerinizi uçsuz sıcak talaşlardan korumak için eldiven kullanılması tavsiye edilir.

Dengeli bir kesim için her zaman en az iki dişi kesimin içinde tutun.

► **Şek.10**

Şerit testere bıçağını şekilde gösterildiği gibi iş parçasının üzerinde uygun kesim pozisyonunda uygulayın.

► **Şek.11**

1. Aleti, şekilde gösterildiği gibi iki elle tutun.

Aleti açmadan önce durdurucu plakanın iş parçasına temas ettiğinden ve şerit testere bıçağının iş parçasına dokunmadığından daima emin olun.

► **Şek.12**

2. Aleti açın ve şerit testere bıçağı tam hıza ulaşana kadar bekleyin. Bıçağı hafifçe kesimin içine indirin. Aletin ağırlığı veya aleti hafifçe bastırarak kesim için yeterli basıncı sağlayacaktır. Aleti zorlamayın.

► **Şek.13**

3. Kesimin sonuna doğru yaklaşırken basıncı azaltın ve iş parçasına doğru düşmemesi için hafifçe kaldırın.

ÖNEMLİ NOT: Alete aşırı basınç uygulamak veya şerit testere bıçağını bükmek, eğimli kesime veya bıçağın hasar görmesine neden olabilir.

ÖNEMLİ NOT: Alet uzun süre kullanılmayacaksa şerit testere bıçağını aletten çıkarın.

ÖNEMLİ NOT: Alet, batarya kartuşunun şarjı bitene kadar sürekli olarak kullanılmışsa, tam şarjlı bir batarya ile devam etmeden önce aleti 15 dakika dinlendirin.

Bıçak yolunun ayarlanması

Şerit testere bıçağı çarktan kayarak çıkmaya meylederse bıçak yolunu ayarlayın.

Ayarlamak için şekilde gösterildiği gibi altıgen anahtar ayar deliğine sokun ve saat yönünde çeyrek tur çevirin. Ondan sonra şerit testere bıçağının kayarak çıkmadığını kontrol edin.

Hala kayarak çıkıyorsa bir çeyrek tur daha çevirin ve şerit testere bıçağı kayarak çıkmayana kadar kontrol edin.

► **Şek.14:** 1. Altıgen anahtar 2. Ayar deliği

Kesme kayganlaştırıcı

⚠DİKKAT: Asla kesme yağı kullanmayın veya şerit testere bıçağına aşırı miktarda balmumu uygulamayın. Bıçağın beklenmedik bir şekilde kaymasına veya çıkmasına neden olabilir.

⚠DİKKAT: Dökme demir keserken hiçbir kesme balmumu kullanmayın.

Metalleri keserken kesme kayganlaştırıcı olarak Makita kesme balmumunu kullanın. Kesme balmumunu şerit testere bıçağının dişlerine uygulamak için kesme balmumunun kapağını çıkarın, aleti çalıştırın ve şekilde gösterildiği gibi kesme balmumunu kesin.

► **Şek.15:** 1. Kesme balmumu

BAKIM

⚠DİKKAT: Muayene ya da bakım yapmadan önce aletin kapalı ve batarya kartuşunun çıkartılmış olduğundan daima emin olun.

ÖNEMLİ NOT: Benzin, tiner, alkol ve benzeri maddeleri kesinlikle kullanmayın. Renk değişimi, deformasyon veya çatlaklar oluşabilir.

Aleti EMNİYETLİ ve ÇALIŞMAYA HAZIR durumda tutmak için onarımlar, başka her türlü bakım ve ayarlamalar daima Makita yedek parçaları kullanılarak Makita yetkili servis merkezleri veya Fabrikanın Servis Merkezleri tarafından yapılmalıdır.

Temizleme

⚠DİKKAT: Çark üzerindeki kauçuk lastiklerdeki balmumu ve talaşlar, şerit testere bıçağının beklenmedik bir şekilde kaymasına ve çıkmasına neden olabilir. Kauçuk lastiklerden balmumu ve talaşları temizlemek için kuru bir bez kullanın.

Kullandıktan sonra alet, çark üzerindeki kauçuk lastikler ve şerit testere bıçağından balmumunu, talaşları ve tozu temizleyin.

Çarklar üzerindeki kauçuk lastiklerin değiştirilmesi

Ağır şekilde aşınmış lastiklerden dolayı şerit testere bıçağı kayar veya düzgün takip etmezse kauçuk lastikleri değiştirin.

Kauçuk lastiği değiştirmek için Makita Yetkili Servis Merkezlerine ya da Fabrika Servis Merkezlerine başvurun.

İSTEĞE BAĞLI AKSESUARLAR

⚠DİKKAT: Bu aksesuarlar ve ek parçalar bu el kitabında belirtilen Makita aletiniz ile kullanılmak için tavsiye edilmektedir. Herhangi başka bir aksesuar ya da ek parça kullanılması insanlar için bir yaralanma riski getirebilir. Aksesuarları ya da ek parçaları yalnızca belirtilmiş olan kullanım amaçlarına uygun olarak kullanın.

Bu aksesuarlarla ilgili daha fazla bilgiye ihtiyaç duyarmanız durumunda yerdeki yetkili Makita servisine başvurun.

- Orijinal Makita batarya ve şarj aleti
- Şerit testere bıçakları
- Altıgen anahtar 4
- Kesme balmumu
- Kanca
- Çark kapağı

ÖNEMLİ NOT: Çark kapağını açarken her iki kancayı eş zamanlı olarak açın ve serbest bırakın. Sadece tek bir kancanın açılması çark kapağında çatlama neden olabilir.

► **Şek.16:** 1. Çark kapağı 2. Kanca

NOT: Listedeki parçaların bazıları alet paketi içerisinde standart aksesuar olarak dahil edilmiş olabilir. Bunlar ülkeden ülkeye farklılık gösterebilir.

Makita Europe N.V.

Jan-Baptist Vinkstraat 2, 3070 Kortenberg, Belgium

Makita Corporation

3-11-8, Sumiyoshi-cho, Anjo, Aichi 446-8502 Japan

www.makita.com



885694A997
EN, FR, DE, IT, NL,
ES, PT, DA, EL, TR
20241028