

**DEWALT**®

**XR LI-ION**



Fig. A

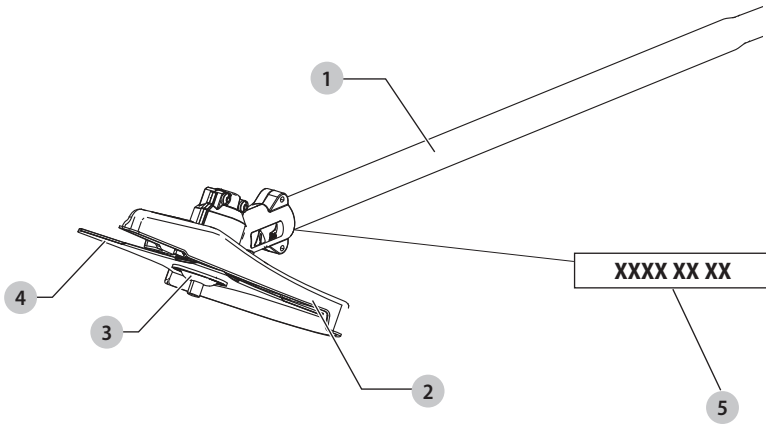


Fig. B

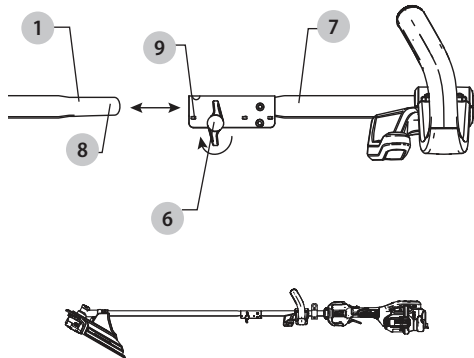


Fig. C

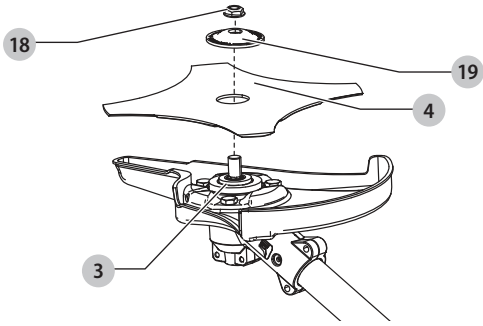


Fig. D

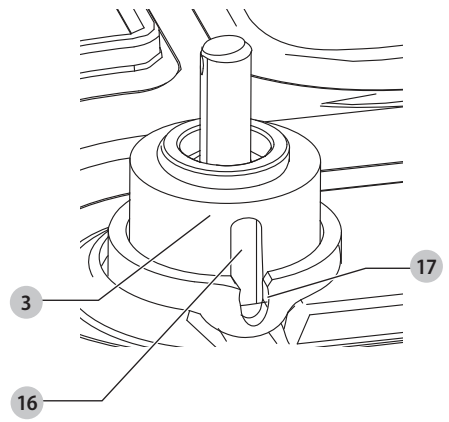


Fig. E

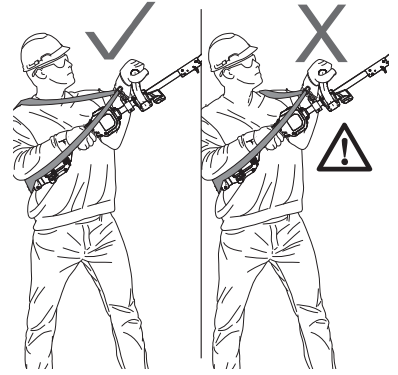
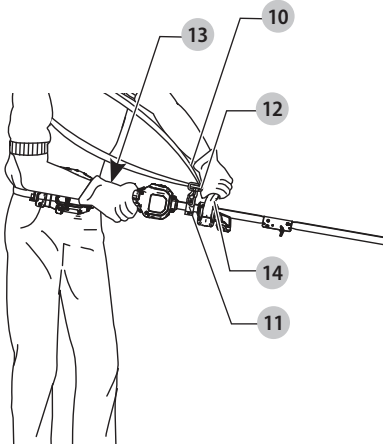


Fig. F

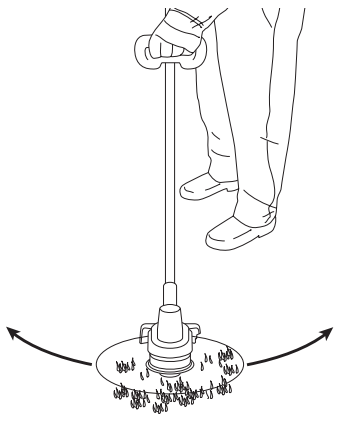
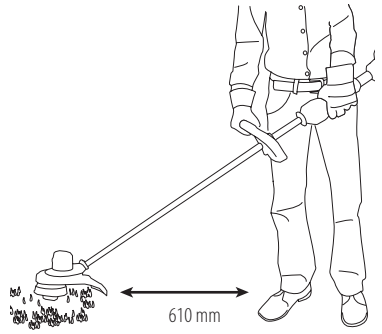


Fig. G



# BRUSH CUTTER

## DCMASBC1

### Congratulations!

You have chosen a DEWALT tool. Years of experience, thorough product development and innovation make DEWALT one of the most reliable partners for professional power tool users.

### Technical Data

		DCMASBC1
Voltage	V <sub>DC</sub>	54
Low speed	/min	3700
High speed	/min	4600
Blade Diameter	mm	200
Weight	kg	1.9

Noise values and vibration values (tri-ax vector sum) according to EN62841-1

L <sub>PA</sub> (emission sound pressure level)	dB(A)	88
K (uncertainty of sound pressure level)	dB(A)	2.5
L <sub>WA</sub> (sound power level)	dB(A)	100
K (uncertainty for the given sound level)	dB(A)	1.6
Vibration emission value a <sub>h</sub> =	m/s <sup>2</sup>	3.9
Uncertainty K =	m/s <sup>2</sup>	1.5

The vibration and/or noise emission level given in this information sheet has been measured in accordance with a standardised test given in EN62841 and may be used to compare one tool with another. It may be used for a preliminary assessment of exposure.



**WARNING:** The declared vibration and/or noise emission level represents the main applications of the tool. However if the tool is used for different applications, with different accessories or poorly maintained, the vibration and/or noise emission may differ. This may significantly increase the exposure level over the total working period.

An estimation of the level of exposure to vibration and/or noise should also take into account the times when the tool is switched off or when it is running but not actually doing the job. This may significantly reduce the exposure level over the total working period.

Identify additional safety measures to protect the operator from the effects of vibration and/or noise such as: maintain the tool and the accessories, keep the hands warm (relevant for vibration), organisation of work patterns.

### EC-Declaration of Conformity

#### Machinery Directive



#### Brush Cutter

#### DCMASBC1

DEWALT declares that these products described under **Technical Data** are in compliance with:

2006/42/EC, EN 62841-1:2015, EN ISO 11806-1:2011.

2000/14/EC, Brush Cutter, Annex V

DEKRA Certification B.V.

Meander 1051 / P.O. box 5185

6525 MJ ARNHEM / 6802 ED

ARNHEM, Netherlands

Notified Body ID No.: 0344

Level of acoustic power according to 2000/14/EC

(Article 12, Annex III, L ≤ 50 cm):

L<sub>PA</sub> (measured sound pressure) 88 dB(A)

uncertainty (K) = 2.5 dB (A)

L<sub>WA</sub> (guaranteed sound power) 102 dB(A)

These products also comply with Directive 2014/30/EU and 2011/65/EU. For more information, please contact DEWALT at the following address or refer to the back of the manual.

The undersigned is responsible for compilation of the technical file and makes this declaration on behalf of DEWALT.

Markus Rompel  
Vice-President Engineering, PTE-Europe  
DEWALT, Richard-Klinger-Straße 11,  
65510, Idstein, Germany  
31.12.2020



**WARNING:** To reduce the risk of injury, read the instruction manual.

### Definitions: Safety Guidelines

The definitions below describe the level of severity for each signal word. Please read the manual and pay attention to these symbols.



**DANGER:** Indicates an imminently hazardous situation which, if not avoided, **will** result in **death or serious injury**.



**WARNING:** Indicates a potentially hazardous situation which, if not avoided, **could** result in **death or serious injury**.



**CAUTION:** Indicates a potentially hazardous situation which, if not avoided, **may** result in **minor or moderate injury**.

**NOTICE:** Indicates a practice **not related to personal injury** which, if not avoided, **may** result in **property damage**.



Denotes risk of electric shock.



Denotes risk of fire.

## GENERAL POWER TOOL SAFETY WARNINGS



**WARNING:** Read all safety warnings, instructions, illustrations and specifications provided with this power tool. Failure to follow all instructions listed below may result in electric shock, fire and/or serious injury.

### SAVE ALL WARNINGS AND INSTRUCTIONS FOR FUTURE REFERENCE

The term "power tool" in the warnings refers to your mains-operated (corded) power tool or battery-operated (cordless) power tool.

#### 1) Work Area Safety

- Keep work area clean and well lit.** Cluttered or dark areas invite accidents.
- Do not operate power tools in explosive atmospheres, such as in the presence of flammable liquids, gases or dust.** Power tools create sparks which may ignite the dust or fumes.
- Keep children and bystanders away while operating a power tool.** Distractions can cause you to lose control.

#### 2) Electrical Safety

- Power tool plugs must match the outlet. Never modify the plug in any way. Do not use any adapter plugs with earthed (grounded) power tools.** Unmodified plugs and matching outlets will reduce risk of electric shock.
- Avoid body contact with earthed or grounded surfaces, such as pipes, radiators, ranges and refrigerators.** There is an increased risk of electric shock if your body is earthed or grounded.
- Do not expose power tools to rain or wet conditions.** Water entering a power tool will increase the risk of electric shock.
- Do not abuse the cord. Never use the cord for carrying, pulling or unplugging the power tool. Keep cord away from heat, oil, sharp edges or moving parts.** Damaged or entangled cords increase the risk of electric shock.
- When operating a power tool outdoors, use an extension cord suitable for outdoor use.** Use of a cord suitable for outdoor use reduces the risk of electric shock.
- If operating a power tool in a damp location is unavoidable, use a residual current device (RCD) protected supply.** Use of an RCD reduces the risk of electric shock.

#### 3) Personal Safety

- Stay alert, watch what you are doing and use common sense when operating a power tool. Do not use a power tool while you are tired or under the influence of drugs, alcohol or medication.** A moment of inattention while operating power tools may result in serious personal injury.
- Use personal protective equipment. Always wear eye protection.** Protective equipment such as a dust mask, non-skid safety shoes, hard hat or hearing protection used for appropriate conditions will reduce personal injuries.
- Prevent unintentional starting. Ensure the switch is in the off-position before connecting to power source and/or battery pack, picking up or carrying the tool.** Carrying power tools with your finger on the switch or energising power tools that have the switch on invites accidents.
- Remove any adjusting key or wrench before turning the power tool on.** A wrench or a key left attached to a rotating part of the power tool may result in personal injury.
- Do not overreach. Keep proper footing and balance at all times.** This enables better control of the power tool in unexpected situations.
- Dress properly. Do not wear loose clothing or jewellery. Keep your hair and clothing away from moving parts.** Loose clothes, jewellery or long hair can be caught in moving parts.
- If devices are provided for the connection of dust extraction and collection facilities, ensure these are connected and properly used.** Use of dust collection can reduce dust-related hazards.
- Do not let familiarity gained from frequent use of tools allow you to become complacent and ignore tool safety principles.** A careless action can cause severe injury within a fraction of a second.

#### 4) Power Tool Use and Care

- Do not force the power tool. Use the correct power tool for your application.** The correct power tool will do the job better and safer at the rate for which it was designed.
- Do not use the power tool if the switch does not turn it on and off.** Any power tool that cannot be controlled with the switch is dangerous and must be repaired.
- Disconnect the plug from the power source and/or remove the battery pack, if detachable, from the power tool before making any adjustments, changing accessories, or storing power tools.** Such preventive safety measures reduce the risk of starting the power tool accidentally.
- Store idle power tools out of the reach of children and do not allow persons unfamiliar with the power tool or these instructions to operate the power tool.** Power tools are dangerous in the hands of untrained users.
- Maintain power tools and accessories. Check for misalignment or binding of moving parts, breakage of parts and any other condition that may affect the**

**power tool's operation. If damaged, have the power tool repaired before use.** Many accidents are caused by poorly maintained power tools.

- f) **Keep cutting tools sharp and clean.** Properly maintained cutting tools with sharp cutting edges are less likely to bind and are easier to control.
- g) **Use the power tool, accessories and tool bits etc. in accordance with these instructions, taking into account the working conditions and the work to be performed.** Use of the power tool for operations different from those intended could result in a hazardous situation.
- h) **Keep handles and grasping surfaces dry, clean and free from oil and grease.** Slippery handles and grasping surfaces do not allow for safe handling and control of the tool in unexpected situations.

## 5) Battery Tool Use and Care

- a) **Recharge only with the charger specified by the manufacturer.** A charger that is suitable for one type of battery pack may create a risk of fire when used with another battery pack.
- b) **Use power tools only with specifically designated battery packs.** Use of any other battery packs may create a risk of injury and fire.
- c) **When battery pack is not in use, keep it away from other metal objects, like paper clips, coins, keys, nails, screws or other small metal objects, that can make a connection from one terminal to another.** Shorting the battery terminals together may cause burns or a fire.
- d) **Under abusive conditions, liquid may be ejected from the battery; avoid contact. If contact accidentally occurs, flush with water. If liquid contacts eyes, additionally seek medical help.** Liquid ejected from the battery may cause irritation or burns.
- e) **Do not use a battery pack or tool that is damaged or modified.** Damaged or modified batteries may exhibit unpredictable behaviour resulting in fire, explosion or risk of injury.
- f) **Do not expose a battery pack or tool to fire or excessive temperature.** Exposure to fire or temperature above 130 °C may cause explosion.
- g) **Follow all charging instructions and do not charge the battery pack or tool outside the temperature range specified in the instructions.** Charging improperly or at temperatures outside the specified range may damage the battery and increase the risk of fire.

## 6) Service

- a) **Have your power tool serviced by a qualified repair person using only identical replacement parts.** This will ensure that the safety of the power tool is maintained.
- b) **Never service damaged battery packs.** Service of battery packs should only be performed by the manufacturer or authorized service providers.

## ADDITIONAL SAFETY INSTRUCTIONS FOR BRUSH CUTTERS



**WARNING:** Cutting elements continue to rotate after the motor is switched off.

- Wear long trousers and boots to protect your legs and feet.
- Always wear eye protection to protect from thrown objects and ricochets. The metal blade may throw debris or small objects that it comes in contact with.
- Do not wear loose clothing, jewelry, short pants, sandals, or go barefoot.
- Before using the appliance, check that your cutting path is free from sticks, stones, wire and any other obstacles.
- Make sure the cutting attachment, blade and any guards are properly secured.
- Only use the appliance in the upright position, with the cutting blade near the ground. Never switch the appliance on in any other position.
- Move slowly when using the appliance. Be aware that freshly cut grass is damp and slippery.
- Do not work on steep slopes. Work across the face of slopes, not up and down.
- Never cross gravel paths or roads while the appliance is running.
- Never touch the cutting blade while the appliance is running.
- Do not put the appliance down until the cutting blade has come to a complete standstill.
- Be aware of blade thrust. The appliance could suddenly move sideways, forward or backwards when the cutting accessory jams or catches on an object such as a sapling or tree stump.
- Keep hands and feet away from the cutting blade at all times, especially when switching on the motor.
- Before using the appliance and after any impact, check for signs of wear or damage and repair as necessary.
- Close supervision is necessary when the appliance is used near children.
- This appliance is not intended for use by young or infirm persons without supervision.
- This appliance is not to be used as a toy.
- Use in a dry location only. Do not allow the appliance to become wet.
- Do not immerse the appliance in water.
- Do not open the body casing. There are not user-serviceable parts inside
- Do not operate the appliance in explosive atmospheres, such as in the presence of flammable liquids, gases or dust.
- Do not use toothed blades, such as saw blades, with this product.

## Safety of Others

- This appliance is not intended for use by persons (including children) with reduced physical, sensory or mental capabilities, or lack of experience and knowledge, unless they have

been given supervision or instruction concerning use of the appliance by a person responsible for their safety.

- Do not use this product near bystanders. The metal blade could throw or ricochet small objects that it may come in contact with, such as small rocks, causing serious injury to bystanders.
- Children must be supervised to ensure that they do not play with the appliance.
- When the appliance is stored or transported in a vehicle it should be placed in the boot or restrained to prevent movement following sudden changes in speed or direction.
- When not in use, the battery should be removed. The appliance should be stored in a dry, well ventilated place out of reach of children.
- Children should not have access to stored appliances.

## Residual Risks

To ensure you have good footing on slopes, do not overreach. Keep your balance at all times. Always walk, do not run.

Additional residual risks may arise when using the tool which may not be included in the enclosed safety warnings. These risks can arise from misuse, prolonged use etc.

Even with the application of the relevant safety regulations and the implementation of safety devices, certain residual risks can not be avoided. These include:

- Injuries caused by touching any rotating/moving parts.
- Injuries caused when changing any parts, blades or accessories.
- Injuries caused by prolonged use of a tool. When using any tool for prolonged periods ensure you take regular breaks.
- Impairment of hearing.
- Health hazards caused by breathing dust developed when using your tool (example: working with wood, especially oak, beech and MDF.)
- Risk of burns due to accessories becoming hot during operation.

## SAVE THESE INSTRUCTIONS

## Package Contents

The package contains:

- 1 Brush cutter
- 1 Instruction manual
- Check for damage to the tool, parts or accessories which may have occurred during transport.
- Take the time to thoroughly read and understand this manual prior to operation.

## Markings on Tool

The following pictograms are shown on the tool:



Read instruction manual before use.



Wear eye protection.



Wear ear protection.



Do not expose the tool to rain or high humidity or leave outdoors while it is raining.



Switch the tool off. Before performing any maintenance on the tool, remove the battery from the tool.



Keep bystanders away.



Wear slip-resistant footwear.



Wear slip-resistant gloves.



Do not use circular metal blades.



No hands



Beware of blade thrust.



Directive 2000/14/EC guaranteed sound power.

## Date Code Position (Fig. A)

The date code **5**, which also includes the year of manufacture, is printed into the housing.

Example:

2020 XX XX

Year and week of Manufacture

## Description (Fig. A)



**WARNING:** Never modify the tool. Damage or personal injury could result.

- 1 Brush cutter pole
- 2 Guard
- 3 Brush cutter housing
- 4 Brush cutter blade

## Intended Use


Your brush cutter attachment has been designed to be used with your DCMAS5713 powerhead. This brush cutter has been designed for household trimming applications.


**DO NOT** use under wet conditions or in the presence of flammable liquids or gases.

**DO NOT** let children come into contact with the tool. Supervision is required when inexperienced operators use this tool.

- **Young children and the infirm.** This appliance is not intended for use by young children or infirm persons without supervision.
- This product is not intended for use by persons (including children) suffering from diminished physical, sensory or mental abilities; lack of experience, knowledge or skills unless they are supervised by a person responsible for their safety. Children should never be left alone with this product.


## ASSEMBLY AND ADJUSTMENTS

 **WARNING:** To reduce the risk of serious personal injury, turn tool off and disconnect battery pack before making any adjustments or removing/installing attachments or accessories. An accidental start-up can cause injury.


 **WARNING:** Use only DEWALT battery packs and chargers.

### Powerhead (Fig. B)

(DCMAS5713 sold separately)

 **WARNING:** To reduce risk of injury:

- Before any use, be sure everyone using this unit reads and understands all manufacturer's safety instructions and other information contained in manufacturer's manual.
- Never apply power without an attachment being properly mounted to the powerhead.

 **WARNING:** To reduce the risk of serious personal injury, turn unit off and remove the battery pack before making any adjustments or removing/installing attachments or accessories, or prior to cleaning. An accidental start-up can cause injury.

Your attachment is designed such that the powerhead can separate from the brush cutter attachment by releasing the knob **6** and gently pulling them apart by their poles **1**, **7**. This should only be done with the power switch off and the battery pack removed. Inside the upper powerhead pole **7** is a mechanical coupling that will spin if the powerhead is turned on. This coupling can cause severe injury if contacted while the powerhead is operating.


**NOTE:** DO NOT operate the brush cutter attachment WITHOUT the barrier properly assembled to the powerhead pole.


**NOTE:** A double shoulder harness is required if the mass of the tool and battery pack exceed 7.5 kg.

## Assembling the Brush Cutter Attachment to the Powerhead (Fig. A, B)

1. When installing the brush cutter attachment **1** into the upper powerhead pole **7**, align the latching button **8** with the main hole **9** as shown in Fig. B.
2. Lock the knob **6**.
3. When properly assembled, it should look like Fig. B.

## Attaching and Adjusting the Shoulder Strap (Fig. E)

 **WARNING:** The shoulder strap should only be slung over one shoulder and not across the body.


 **WARNING:** Use of a shoulder strap **10** is required while using this tool.


Attach the strap to the tool as shown in Fig. E and adjust for proper balance and support.

1. Attach the strap mount.
2. Snap the shoulder strap latch **12** onto the strap mount **11** located on the unit, just in front of the ON/OFF trigger as shown in Fig. E. Adjust the strap so it fits over your shoulder and provides proper balance and support.


## OPERATION


### Instructions for Use


 **WARNING:** Always observe the safety instructions and applicable regulations.

 **WARNING:** To reduce the risk of serious personal injury, turn tool off and disconnect battery pack before making any adjustments or removing/installing attachments or accessories. An accidental start-up can cause injury.

### Proper Hand Position (Fig. A, E)

 **WARNING:** To reduce the risk of serious personal injury, ALWAYS use proper hand position as shown.

 **WARNING:** To reduce the risk of serious personal injury, ALWAYS hold securely in anticipation of a sudden reaction.

 **WARNING:** Hold the tool using only the designated gripping surfaces: The powerhead handle and the auxiliary handle.


 **WARNING:** Do not use the pole as a gripping surface.

Proper hand position requires one hand on the powerhead handle **13** and one hand on the auxiliary handle **14**.

### Brush Cutting (Fig. F, G)

With the brush cutter on, angle it and swing side to side as shown in Fig. F.

Maintain a minimum distance of 24" (610 mm) between the guard and your feet as shown in Fig. G.

 **WARNING:** Keep the rotating blade roughly parallel with the ground (tilted no more than 30 °). This trimmer is not an edger. DO NOT TILT the brush cutter so that the blade is spinning near a right angle to the ground. Flying debris can cause serious injury.

### Helpful Cutting Tips

- Use the tip of the blade to do the cutting; do not force tool head into uncut grass.

- Wire and picket fences cause extra blade wear, even breakage. Stone and brick walls, curbs, and wood may wear string rapidly.
- In long growth, cut from the top down and do not exceed 12" (305 mm) high.
- Keep brush cutter head tilted toward the area being cut; this is the best cutting area.
- The brush cutter cuts best when passing the unit from the left to right. This will avoid throwing debris at the operator.
- Avoid trees and shrubs. Tree bark, wood moldings, siding, and fence posts can easily be damaged by the blade.

## MAINTENANCE

Your power tool has been designed to operate over a long period of time with a minimum of maintenance. Continuous satisfactory operation depends upon proper tool care and regular cleaning.



**WARNING:** To reduce the risk of serious personal injury, turn tool off and disconnect battery pack before making any adjustments or removing/installing attachments or accessories. An accidental start-up can cause injury.

The charger and battery pack are not serviceable.



## Lubrication

Your power tool requires no additional lubrication.



## Cleaning



**WARNING:** Blow dirt and dust out of the main housing with dry air as often as dirt is seen collecting in and around the air vents. Wear approved eye protection and approved dust mask when performing this procedure.



**WARNING:** Never use solvents or other harsh chemicals for cleaning the non-metallic parts of the tool. These chemicals may weaken the materials used in these parts. Use a cloth dampened only with water and mild soap. Never let any liquid get inside the tool; never immerse any part of the tool into a liquid.

## Optional Accessories



**WARNING:** Since accessories, other than those offered by DEWALT, have not been tested with this product, use of such accessories with this tool could be hazardous. To reduce the risk of injury, only DEWALT recommended accessories should be used with this product.

Consult your dealer for further information on the appropriate accessories.

Use a transport cover on the metal blades when transporting and storing the brush cutter attachment.

## Replacing the Cutting Blade (Fig. A, C, D)



**WARNING:** To reduce the risk of serious personal injury, turn unit off and remove the battery pack before making any adjustments or removing/installing attachments or accessories, or prior to cleaning. An accidental start-up can cause injury.

When replacing the blade, use 8" (203 mm) diameter blades. Use DEWALT replacement blade Model No. DT20680. Other sizes may degrade performance or cause damage to the brush cutter attachment. **DO NOT** use toothed blades, such as saw blades, with this product.

1. Remove battery.
2. Remove brush cutter attachment from the powerhead.  
Reverse the steps under **Assembling the Brush Cutter Attachment to the Powerhead.**



**WARNING:** Use gloves and proper eye protection. Turn the brush cutter on its side. Be careful of sharp edges of blade.

## Removing the Cutting Blade

1. Align the shaft bushing hole **16** with the locking rod slot **17** and insert a screwdriver (not supplied) into the bushing hole. Hold the screwdriver in position.
2. While holding the screwdriver, remove the flange nut **18** by turning it counterclockwise with a 13 mm wrench (not supplied) as shown in Fig. C.
3. Remove the blade spacer **19** and the blade **4** as shown in Fig. C. Examine all pieces for damage and replace if necessary.

## Installing the New Cutting Blade

1. Install new blade **4** on shoulder of the blade cutter shaft bushing **15** as shown in Fig. C.
2. Align the shaft bushing hole **16** with the locking rod slot **17** and insert a screwdriver into the bushing hole.
3. Hold the screwdriver in position.
4. Install the blade spacer **19** on the blade so that the wide flat side faces the blade.
5. Install flange nut **18** with the flange against the blade spacer **19** and securely tighten with a 13 mm wrench (not supplied).
6. Tighten nut counterclockwise against the blade while holding the locking rod:
  - If using a torque wrench and an 13 mm socket tighten to: 325 -335 in lb, 27 - 28 ft. lb, 37 - 38 Nm.
  - Without a torque wrench, use a 13 mm closed-end or socket wrench, turning the nut until the blade retainer is snug against the shaft bushing. Ensure that the blade is installed correctly, then rotate the nut an additional 1/4 to 1/2 turn counterclockwise.
7. Remove the screwdriver from the locking rod slot **17**.

## Protecting the Environment



Separate collection. Products and batteries marked with this symbol must not be disposed of with normal household waste.

Products and batteries contain materials that can be recovered or recycled reducing the demand for raw materials. Please recycle electrical products and batteries according to local provisions. Further information is available at [www.2helpU.com](http://www.2helpU.com).

## Rechargeable Battery Pack

This long life battery pack must be recharged when it fails to produce sufficient power on jobs which were easily done before. At the end of its technical life, discard it with due care for our environment:

- Run the battery pack down completely, then remove it from the tool.
- Li-Ion cells are recyclable. Take them to your dealer or a local recycling station. The collected battery packs will be recycled or disposed of properly.

<b>Belgique et Luxembourg België en Luxemburg</b>	DeWALT - Belgium BVBA Egide Walschaertsstraat 16 2800 Mechelen	Tel: NL 32 15 47 37 63 Tel: FR 32 15 47 37 64 Fax: 32 15 47 37 99	www.dewalt.be enduser.BE@sbdinc.com
<b>Danmark</b>	DeWALT (Stanley Black&Decker AS) Roskildevej 22 2620 Albertslund	Tel: 70 20 15 10 Fax: 70 22 49 10	www.dewalt.dk kundservice.dk@sbdinc.com
<b>Deutschland</b>	DeWALT Richard Klingler Str. 11 65510 Idstein	Tel: 06126-21-0 Fax: 06126-21-2770	www.dewalt.de infodwge@sbdinc.com
<b>Ελλάς</b>	DeWALT (Ελλάς) A.E. ΕΔΡΑ-ΓΡΑΦΕΙΑ : Στραβίωνος 7 & Α. Βουλιαγμένης, Γλυφάδα 166 74, Αθήνα SERVICE : Ημερος Τόπος 2 (Χάιν Αόδμ) – 193 00 Ασπίστηριος	Τηλ: 00302108981616 Φαξ: 00302108983570	www.dewalt.gr Greece.Service@sbdinc.com
<b>España</b>	DeWALT Ibérica, S.C.A. Parc de Negocios "Mas Blau" Edificio Muntadas, c/Bergadà, 1, Of. A6 08820 El Prat de Llobregat (Barcelona)	Tel: 934 797 400 Fax: 934 797 419	www.dewalt.es respuesta.postventa@sbdinc.com
<b>France</b>	DeWALT (Stanley Black & Decker France SAS) 62 Chemin de la Bruyère CS 60105, 69574 DARDILLY Cedex	Tel: 04 72 20 39 20 Fax: 04 72 20 39 00	www.dewalt.fr scufi@sbdinc.com
<b>Schweiz Suisse Svizzera</b>	DeWALT In der Luberzen 42 8902 Urdorf	Tel: 044 - 755 60 70 Fax: 044 - 730 70 67	www.dewalt.ch service@rofoag.ch
<b>Ireland</b>	DeWALT Building 4500, Kinsale Road Cork Airport Business Park Cork, Ireland	Tel: 00353-2781800 Fax: 01278 1811	www.dewalt.ie Sales.Ireland@sbdinc.com
<b>Italia</b>	DeWALT via Energypark 6 20871 Vimercate (MB), IT	Tel: 800-014353 39 039-9590200 Fax: 39 039-9590311	www.dewalt.it
<b>Nederlands</b>	DeWALT Netherlands BVPostbus 83, 6120 AB BORN	Tel: 31 164 283 063 Fax: 31 164 283 200	www.dewalt.nl
<b>Norge</b>	DeWALT Postboks 4613 0405 Oslo, Norge	Tel: 45 25 13 00 Fax: 45 25 08 00	www.dewalt.no kundservice.no@sbdinc.com
<b>Österreich</b>	DeWALT Werkzeug Vertriebsges m.b.H Oberlaaerstrasse 248, A-1230 Wien	Tel: 01 - 66116 - 0 Fax: 01 - 66116 - 614	www.dewalt.at service.austria@sbdinc.com
<b>Portugal</b>	DeWALT Ed. D Dinis, Quina da Fonte Rua dos Malhoes 2 2A 2º Esq. Oeiras e S. Juliao da Barra, paço de Arcos e Caxias 2770 071 Paço de Arcos	Tel: +351 214667500 Fax: +351214667580	www.dewalt.pt resposta.posvenda@sbdinc.com
<b>Suomi</b>	DeWALT PL47 00521 Helsinki, Suomi	Puh: 010 400 4333 Faksi: 0800 411 340	www.dewalt.fi asiakaspalvelu.fi@sbdinc.com
<b>Sverige</b>	DeWALT BOX 94 43122 Mölndal Sverige	Tel: 031 68 61 60 Fax: 031 68 60 08	www.dewalt.se kundservice.se@sbdinc.com
<b>Türkiye</b>	Sanayi ve Ticaret Bakanlığı tebliğince kullanım ömrü 7 yıldır. Stanley Black & Decker Turkey Alet Üretim San. Tic. Ltd.Şti. AND Kozyatağı – İçerenköy Mah. Umut Sok. AND Ofis Sit. No: 10-12 / 82-83-84 Ataşehir/İstanbul, Türkiye	Tel: +90 216 665 2900 Faks: +90 216 665 2901	www.dewalt.com.tr support@dewalt.com.tr
<b>United Kingdom</b>	DeWALT, 270 Bath Road; Slough, Berks SL1 4DX	Tel: 01753-567055 Fax: 01753-572112	www.dewalt.co.uk emeaservice@sbdinc.com
<b>Australia</b>	DeWALT 810 Whitehorse Road Box Hill VIC 3128 Australia	Tel: Aust 1800 338 002 Tel: NZ 0800 339 258	www.dewalt.com.au www.dewalt.co.nz
<b>Middle East Africa</b>	DeWALT P.O. Box - 17164, Jebel Ali Free Zone (South), Dubai, UAE	Tel: 971 4 812 7400 Fax: 971 4 2822765	www.dewalt.ae support@dewalt.ae