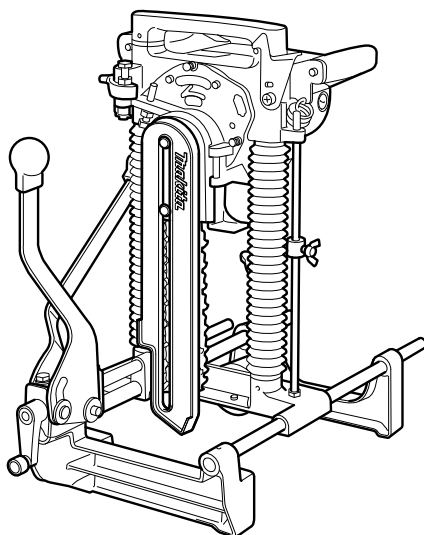
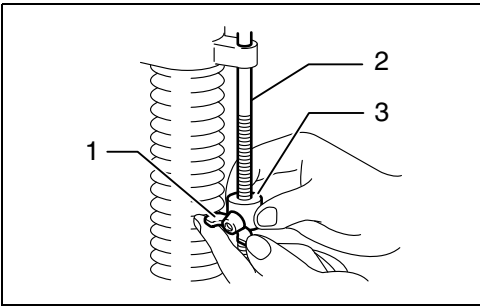




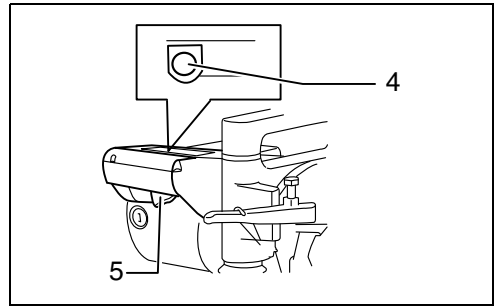
<b>GB</b>	<b>Chain Mortiser</b>	<b>Instruction manual</b>
<b>F</b>	<b>Mortaiseuse à chaîne</b>	<b>Manuel d'instructions</b>
<b>D</b>	<b>Kettenstemmer</b>	<b>Betriebsanleitung</b>
<b>I</b>	<b>Mortasatrice a catena</b>	<b>Istruzioni per l'uso</b>
<b>NL</b>	<b>Kettingfrees</b>	<b>Gebruiksaanwijzing</b>
<b>E</b>	<b>Escopleadora de cadena</b>	<b>Manual de instrucciones</b>
<b>P</b>	<b>Perfuradora de Corrente</b>	<b>Manual de instruções</b>
<b>DK</b>	<b>Kædestemmekmaskine</b>	<b>Brugsanvisning</b>
<b>GR</b>	<b>Μηχάνημα εσοχών με αλυσίδα</b>	<b>Οδηγίες χρήσης</b>

**7104L**

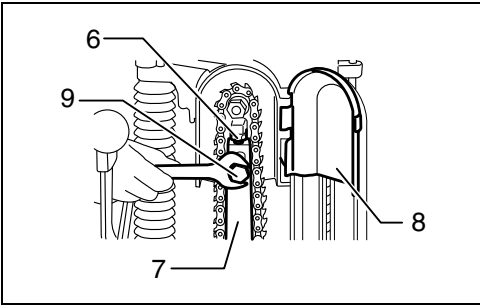




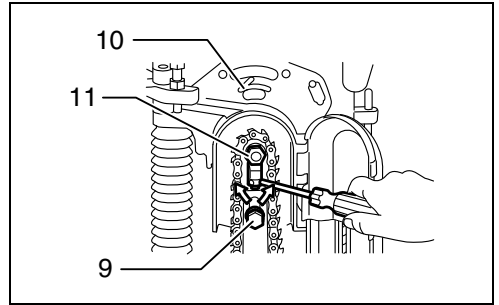
1



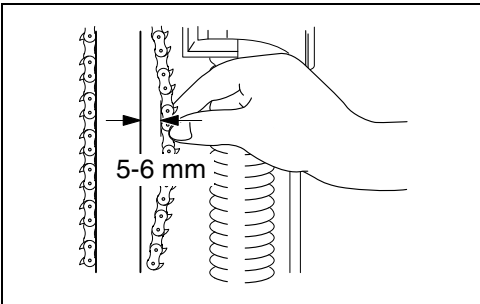
2



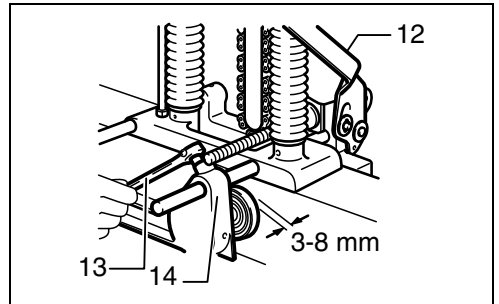
3



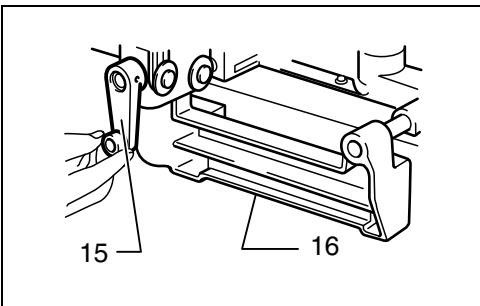
4



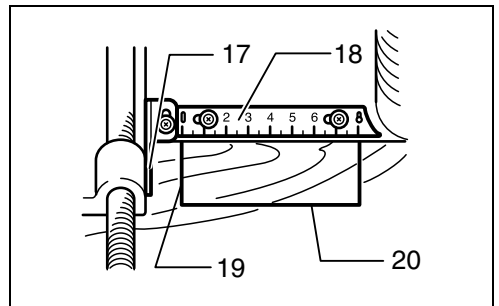
5



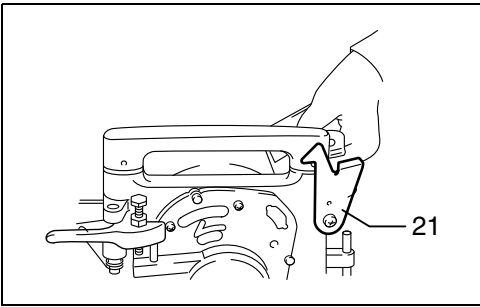
6



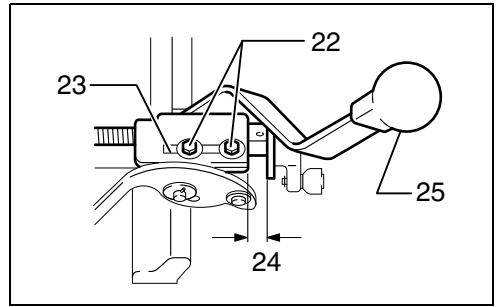
7



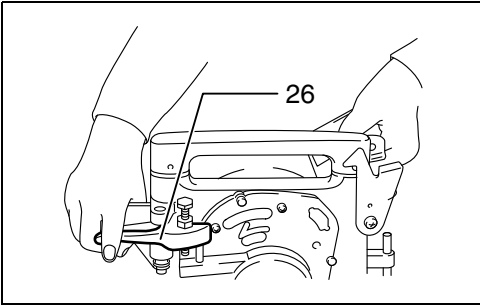
8



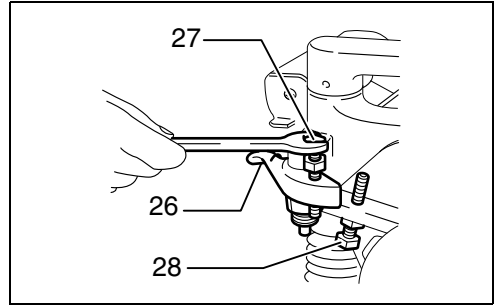
9



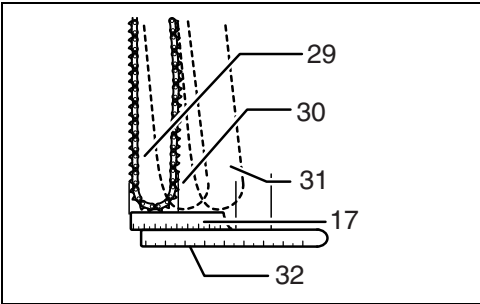
10



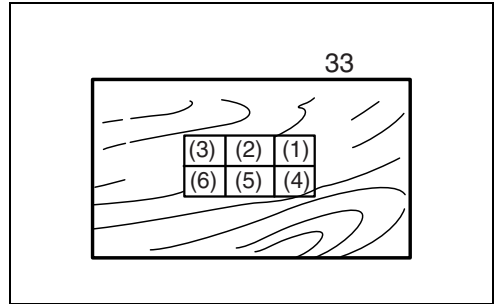
11



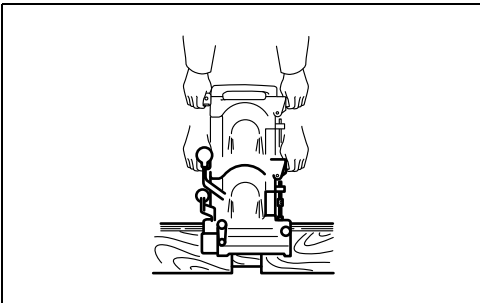
12



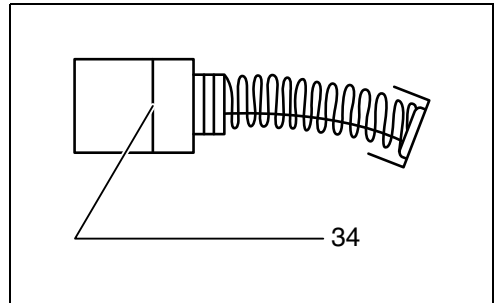
13



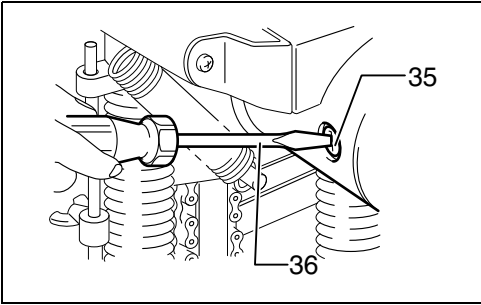
14



15



16



17

## ENGLISH (Original instructions)

### Explanation of general view

- |                    |                         |   |
|--------------------|-------------------------|---|
| 1. Wing bolt       | 14. Rear vise           | 27. Adjusting hex bolt for No. 1 set position |
| 2. Stopper pole    | 15. Setting handle      | 28. Adjusting hex bolt for No. 2 set position |
| 3. Stopper         | 16. Front vise          | 29. Original position                         |
| 4. Lock-off button | 17. Indicator plate     | 30. No.1 set position                         |
| 5. Switch trigger  | 18. Indication plate    | 31. No.2 set position                         |
| 6. Adjusting screw | 19. Cutting line (A)    | 32. Ruler                                     |
| 7. Chain bar       | 20. Cutting line (B)    | 33. Front vise                                |
| 8. Chain cover     | 21. Hook                | 34. Limit mark                                |
| 9. Hex bolt        | 22. Hex bolts           | 35. Brush holder cap                          |
| 10. Arrow          | 23. Gauge plate         | 36. Screwdriver                               |
| 11. Sprocket       | 24. Travel distance (D) |   |
| 12. Lever (A)      | 25. Lever (B)           |   |
| 13. Vise lever     | 26. Lever (C)           |   |

## SPECIFICATIONS

Model		7104L
Capacities	Max. hole length (Longitudinal)	130 mm
	Max. hole depth	155 mm
Width of applicable workpiece		80 mm – 308 mm
Chain speed		300 m/min
Dimensions (L × W × H)		512 mm × 298 mm × 513 mm
Net weight		17.8 - 18.2 kg
Safety class		Class I

- Due to our continuing program of research and development, the specifications herein are subject to change without notice.
- Specifications may differ from country to country.
- The weight may differ depending on the attachment(s). The lightest and heaviest combination, according to EPTA-Procedure 01/2014, are shown in the table.

### Intended use

ENE062-1

The tool is intended for cutting mortise in wood.

### Power supply

ENF001-1

The tool should be connected only to a power supply of the same voltage as indicated on the nameplate, and can only be operated on single-phase AC supply. This tool should be grounded while in use to protect the operator from electric shock. Use only three-wire extension cords which have three-prong grounding-type plugs and three-pole receptacles which accept the tool's plug.

## General power tool safety warnings

GEA010-2

**⚠ WARNING: Read all safety warnings, instructions, illustrations and specifications provided with this power tool.** Failure to follow all instructions listed below may result in electric shock, fire and/or serious injury.

## Save all warnings and instructions for future reference.

The term "power tool" in the warnings refers to your mains-operated (corded) power tool or battery-operated (cordless) power tool.

## ADDITIONAL SAFETY RULES

ENB093-1

1. **Use this tool only to cut holes in wood.**
2. **This tool is for cutting holes in flat-surfaced wood. Never use it for cutting holes in a log.**
3. **Wear ear protectors.**
4. **Handle the cutter chain carefully; it is very sharp.**
5. **Place the workpiece on wood blocks or short beams to prevent the cutter chain from hitting the ground, floor, etc., causing damage to the cutter chain at the time of hole breakthrough.**
6. **Check the cutter chain carefully for cracks or damage before operation. Replace cracked or damaged cutter chain immediately.**
7. **Secure the tool to the workpiece firmly.**
8. **Inspect for and remove nails or foreign matter from the workpiece before operation.**
9. **Do not operate the tool with the safety cover open.**
10. **Do not wear gloves during operation.**
11. **Keep hands away from moving parts.**
12. **Remove the tool from the workpiece after operation to keep it from falling off and possibly causing injury.**

13. **Don't abuse cord. Never yank cord to disconnect it from the receptacle. Keep cord away from heat, oil, water and sharp edges.**
14. **PROPER GROUNDING. This tool should be grounding while in use to protect the operator from electric shock.**
15. **EXTENSION CORDS. Use only three-wire extension cords which have three-prong grounding-type plugs and three-pole receptacles which accept the tool's plug. Replace or repair damaged or worn cord immediately.**

## SAVE THESE INSTRUCTIONS.

## FUNCTIONAL DESCRIPTION

### CAUTION:

- Always be sure that the tool is switched off and unplugged before adjusting or checking function on the tool.

### Adjusting depth of cut (Fig. 1)

Loosen the wing bolt on the stopper. Move the stopper to the desired position and tighten the wing bolt. When tightened, the tip of the wing bolts should contact the flat surface of the stopper pole. The numbers indicated on the stopper pole are in cm units (3 mm per graduation).

### Switch action (Fig. 2)

#### CAUTION:

- Before plugging in the tool, always check to see that the switch trigger actuates properly and returns to the "OFF" position when released.

To prevent the switch trigger from being accidentally pulled, a lock-off button is provided. To start the tool, push in the lock-off button and pull the switch trigger. Release the switch trigger to stop.

## ASSEMBLY

### CAUTION:

- Always be sure that the tool is switched off and unplugged before carrying out any work on the tool.

### Installing or removing cutter chain (Fig. 3)

#### WARNING:

- Always be sure that the tool is switched off and unplugged before installing or removing the cutter chain.
- Always close the chain cover after installing, removing or adjusting the cutter chain.

To install the cutter chain, open the chain cover. Loosen the hex bolt securing the chain bar and the adjusting screw.

Orient the cutters in the direction of the arrow on the tool (rotational direction). Attach the cutter chain to the sprocket first and then to the chain bar. Semitighten the hex bolt. (Fig. 4)

Turn the adjusting screw to increase the tension on the cutter chain. Pull the middle of the cutter chain lightly. When there is a clearance of approx. 5 – 6 mm between

the chain bar and the cutter chain, the tension on the cutter chain is adequate. (Fig. 5)

After adjusting the tension, tighten the hex bolt firmly to secure the chain bar. Additionally tighten slightly the adjusting screw. Close the chain cover.

To remove the cutter chain, follow the installation procedures in reverse.

### Securing tool to workpiece (Fig. 6 & 7)

Loosen the vise lever and move the rear vise backward. Place the tool on the workpiece so that the front vise contacts the side of the workpiece. Move the rear vise forward until the distance between the rear vise and the workpiece is 3 – 8 mm. Tighten the vise lever to secure the rear vise. Move the tool so that the "0" on the indication plate is aligned with the cutting line (A). Push the lever (A) down fully to secure the workpiece.

Turn the setting handle until the front edge of the yellow indicator plate is aligned with the cutting line (B). (Fig. 8)

## OPERATION (Fig. 9)

Grasp firmly the grips on either side. Switch on the tool and wait until the cutter chain attains full speed. Then release the hook and lower the tool head to cut in the workpiece. Do not apply excessive pressure to the tool. This may not only decrease the working efficiency but also cause a dangerous reaction. Feed slowly at the beginning of a cutting operation, at the time of hole breakthrough and when cutting a knot in the workpiece. After cutting, gently raise the tool head until you can hook the tool head back onto the hook. Then switch off the tool. Raise the lever (A) and remove the tool from the workpiece.

#### WARNING:

- Always hook the tool head back onto the hook when not operating the tool.
- Never attempt to cut a twisted or warped workpiece which the tool is not secured firmly to.

### Adjusting indicator plate and indication plate

The yellow indicator plate and indication plate are factory adjusted for the standard equipped cutter chain 16.5 mm. If the alignment is off, for some reason, or when using another size cutter chain, loosen the screws and adjust the yellow indicator plate and indication plate.

## Enlarging hole

### 1. Transverse (width) enlargement (Fig. 10)

A hole can be enlarged transversely by adjusting the gauge plate. Max. expansion of hole width is 15 mm.

#### Example:

When cutting a hole 25 mm wide using a cutter chain 16.5 mm, proceed as follows:

- Push the lever (B) away from you. Loosen the hex bolts securing the gauge plate.
- Adjust the gauge plate so that the travel distance (D) is 8.5 mm; that is, 25 mm – 16.5 mm = 8.5 mm. Tighten the hex bolts to secure the gauge plate.

- Cut the first hole with the lever (B) pushed away from you. Then pull the lever (B) toward you and cut again to enlarge the hole.

**NOTE:**

- The gauge plate is factory adjusted for cutting a hole 30 mm wide.

**2. Longitudinal (length) enlargement**

Hole length can be determined in three steps shown in the table below.

Cutter chain position	Hole length to be cut
Original position	52.5 mm
No.1 set position	52.5 mm – 105 mm
No.2 set position	77.5 mm – 130 mm

**NOTE:**

- A hole a little longer than predetermined may be cut depending upon the cutter chain tension.
- The adjusting hex bolts are factory adjusted for cutting holes 90 mm long in the No. 1 set position and 120 mm long in the No. 2 set position.

Push down the right-hand grip while raising the left-hand grip. Make sure that the adjusting hex bolt slips into place securely. (Fig. 11)

Loosen the hex nut securing the adjusting hex bolt. Turn the adjusting hex bolt until the cutter chain reaches the desired position, then tighten the hex nut. (Fig. 12)

**WARNING:**

- When using pressure to turn the adjusting hex bolt or hex nut, be careful not to allow the adjusting hex bolt to slip off the set position.

To bring the cutter chain back to the perpendicular (original) position, pull the lever (C) toward you while pressing down on the right-hand grip and slightly raising the left-hand grip and move the cutter chain back to its original position.

When cutting a hole, first use the perpendicular position, then No. 1 set position and finally No. 2 set position.

Always safely hook the tool head back onto the hook when changing the cutter chain position. (Fig. 13)

When enlarging a hole both transversely and longitudinally, cut the holes in the order indicated from No. (1) to (6) as shown. This makes for more easy and efficient hole enlargement. (Fig. 14)

**WARNING:**

- Never attempt to enlarge a hole with the cutter chain still within the hole. This will cause unstable and dangerous operation.
- Never angle the cutter chain when cutting the first hole, or a dangerous kickback may result. Always have the cutter chain set to the perpendicular position when cutting the first hole.

Lap joints up to 130 mm can be cut with this tool. (Fig. 15)

**NOTE:**

- Lap joints can be cut only on the front (side away from you) of the workpiece.

# MAINTENANCE

**CAUTION:**

- Always be sure that the tool is switched off and unplugged before attempting to perform inspection or maintenance.
- Never use gasoline, benzine, thinner, alcohol or the like. Discoloration, deformation or cracks may result.

## Replacing carbon brushes (Fig. 16)

Remove and check the carbon brushes regularly. Replace when they wear down to the limit mark. Keep the carbon brushes clean and free to slip in the holders. Both carbon brushes should be replaced at the same time. Use only identical carbon brushes.

Use a screwdriver to remove the brush holder caps. Take out the worn carbon brushes, insert the new ones and secure the brush holder caps. (Fig. 17)

## Lubrication

After use, remove dirt, chips and foreign matter adhering to the tool. Then oil the moving parts (especially cutter chain) and the contact portions.

To maintain product SAFETY and RELIABILITY, repairs, any other maintenance or adjustment should be performed by Makita Authorized Service Centers, always using Makita replacement parts.

# OPTIONAL ACCESSORIES

**⚠ CAUTION:**

- These accessories or attachments are recommended for use with your Makita tool specified in this manual. The use of any other accessories or attachments might present a risk of injury to persons. Only use accessory or attachment for its stated purpose.

If you need any assistance for more details regarding these accessories, ask your local Makita Service Center.

- Cutter chain
- Chain bar for 30 mm
- Sprocket 4 for 30 mm
- Oil supply (100 cc)

**NOTE:**

- Some items in the list may be included in the tool package as standard accessories. They may differ from country to country.

**Noise**

ENG905-1

The typical A-weighted noise level determined according to EN62841-1:

Sound pressure level ( $L_{pA}$ ): 90 dB (A)

Sound power level ( $L_{WA}$ ): 103 dB (A)

Uncertainty (K): 3 dB (A)

**Wear ear protection.**

**Vibration**

ENG900-1

The vibration total value (tri-axial vector sum) determined according to EN62841-1:

Vibration emission ( $a_h$ ): 2.5 m/s<sup>2</sup> or less

Uncertainty (K): 1.5 m/s<sup>2</sup>

ENG901-1

- The declared vibration emission value has been measured in accordance with the standard test method and may be used for comparing one tool with another.

- The declared vibration emission value may also be used in a preliminary assessment of exposure.



**WARNING:**

- The vibration emission during actual use of the power tool can differ from the declared emission value depending on the ways in which the tool is used.
- Be sure to identify safety measures to protect the operator that are based on an estimation of exposure in the actual conditions of use (taking account of all parts of the operating cycle such as the times when the tool is switched off and when it is running idle in addition to the trigger time).

**EC Declaration of Conformity**

***For European countries only***

The EC declaration of conformity is included as Annex A to this instruction manual.

## Descriptif

1. Boulon à oreilles	14. Étau arrière	27. Boulon hexagonal pour position de réglage 1
2. Tige d'arrêt	15. Poignée de réglage	28. Boulon hexagonal pour position de réglage 2
3. Butée	16. Étau avant	29. Position initiale
4. Bouton de déverrouillage	17. Plaque indicatrice	30. Position de réglage 1
5. Gâchette	18. Plaque d'indication	31. Position de réglage 2
6. Vis de réglage	19. Ligne de coupe (A)	32. Règle
7. Guide-chaîne	20. Ligne de coupe (B)	33. Vis avant
8. Couvre-chaîne	21. Crochet	34. Repère d'usure
9. Boulon hexagonal	22. Boulons hexagonaux	35. Bouchon de porte-charbon
10. Flèche	23. Plaque de gabarit	36. Tournevis
11. Pignon	24. Distance de déplacement (D)	
12. Levier (A)	25. Levier (B)	
13. Levier d'étau	26. Levier (C)	

## SPÉCIFICATIONS

Modèle		7104L
Capacités	Longueur max. du trou (longitudinale)	130 mm
	Profondeur max. du trou	155 mm
Largeurs de pièce admissibles		80 mm à 308 mm
Vitesse de la chaîne		300 m/min
Dimensions (L × H × P)		512 mm × 298 mm × 513 mm
Poids net		17,8 - 18,2 kg
Niveau de sécurité		Classe I

- Étant donné l'évolution constante de notre programme de recherche et de développement, les spécifications contenues dans ce manuel sont sujettes à des modifications sans préavis.
- Les spécifications peuvent varier suivant les pays.
- Le poids peut varier en fonction des pièces complémentaires. La combinaison la plus légère et la combinaison la plus lourde, selon la procédure EPTA du 01/2014, sont présentées dans le tableau.

**Utilisations** ENE062-1  
L'outil est conçu pour creuser des trous dans le bois.

**Alimentation** ENF001-1  
L'outil ne devra être raccordé qu'à une alimentation de la même tension que celle qui figure sur la plaque signalétique, et il ne pourra fonctionner que sur un courant secteur monophasé. Cet outil doit être mis à la terre pendant l'utilisation afin de protéger l'utilisateur contre les chocs électriques. Utilisez exclusivement des cordons d'alimentation tripolaires dotés d'une fiche à trois lames (dont une pour la mise à la terre), avec des prises de courant conçues pour ce type de fiche.

## Consignes de sécurité générales pour outils électriques

GEA010-2

**⚠ AVERTISSEMENT : Veuillez lire les consignes de sécurité, instructions, illustrations et spécifications qui accompagnent cet outil électrique.** Le non-respect de toutes les instructions indiquées ci-dessous peut entraîner une électrocution, un incendie et/ou de graves blessures.

## Conservez toutes les mises en garde et instructions pour référence ultérieure.

Le terme « outil électrique » dans les avertissements fait référence à l'outil électrique alimenté par le secteur (avec cordon d'alimentation) ou à l'outil électrique fonctionnant sur batterie (sans cordon d'alimentation).

## CONSIGNES DE SÉCURITÉ ADDITIONNELLES

ENB093-1

1. **Utilisez cet outil exclusivement pour creuser des trous dans le bois.**
2. **Cet outil sert à creuser des trous dans les surfaces de bois planes. Ne jamais l'utiliser pour creuser des trous dans un rondin.**
3. **Portez des protections d'oreilles.**
4. **Manipulez la chaîne de l'outil de coupe avec prudence, car elle est très aiguisée.**
5. **Placez la pièce sur des blocs de bois ou de courtes traverses pour éviter que le chaîne de l'outil de coupe ne s'abîme en frappant contre le sol ou le plancher lorsqu'elle traverse la pièce.**

6. **Vérifiez soigneusement l'absence de fissures ou de dommages sur la chaîne de l'outil de coupe avant l'utilisation. Remplacez immédiatement la chaîne de l'outil de coupe si elle est fissurée ou endommagée.**
7. **Fixez l'outil solidement à la pièce.**
8. **Avant l'utilisation, inspectez la pièce pour retirer tout clou ou corps étranger.**
9. **Ne pas utiliser l'outil avec le capot de sécurité ouvert.**
10. **Ne pas porter de gants pendant l'utilisation.**
11. **Gardez les mains éloignées des pièces en mouvement.**
12. **Retirez l'outil de la pièce après l'utilisation pour éviter qu'il ne blesse quelqu'un en tombant.**
13. **Ne pas maltraiter le cordon. Ne jamais tirer directement sur le cordon pour débrancher la fiche de la prise de courant. Gardez le cordon à l'écart de la chaleur, de l'huile, de l'eau et des objets à bords tranchants.**
14. **MISE À LA TERRE ADÉQUATE** Cet outil doit être mis à la terre pendant l'utilisation afin de protéger l'utilisateur contre les chocs électriques.
15. **CORDONS PROLONGATEURS** Utilisez exclusivement des cordons d'alimentation tripolaires dotés d'une fiche à trois lames (dont une pour la mise à la terre), avec des prises de courant conçues pour ce type de fiche. Remplacez immédiatement tout cordon endommagé ou usé.

## CONSERVEZ CES INSTRUCTIONS.

## DESCRIPTION DU FONCTIONNEMENT

### ATTENTION :

- Assurez-vous toujours que l'outil est hors tension et débranché avant de l'ajuster ou de vérifier son fonctionnement.

### Réglage de la profondeur de coupe (Fig. 1)

Desserrez le boulon à oreilles de la butée. Déplacez la butée jusqu'à la position désirée et serrez le boulon à oreilles. Lorsque les boulons sont serrés, leur bout doit toucher la surface plane de la tige d'arrêt. Les chiffres inscrits sur la tige d'arrêt représentent des cm (3 mm par graduation).

### Interrupteur (Fig. 2)

#### ATTENTION :

- Avant de brancher l'outil, vérifiez toujours que la gâchette fonctionne bien et revient en position d'arrêt (OFF) lorsque relâchée.

Un bouton de déverrouillage est prévu pour éviter toute activation accidentelle de la gâchette. Pour démarrer l'outil, enfoncez le bouton de déverrouillage et appuyez sur la gâchette. Pour arrêter l'outil, relâchez la gâchette.

## ASSEMBLAGE

### ATTENTION :

- Avant d'effectuer toute intervention sur l'outil, assurez-vous toujours qu'il est hors tension et débranché.

### Pose ou dépose de la chaîne de l'outil de coupe (Fig. 3)

#### AVERTISSEMENT :

- Assurez-vous toujours que l'outil est hors tension et débranché avant de poser ou déposer la chaîne de l'outil de coupe.
- Fermez toujours le couvre-chaîne après la pose, la dépose ou le réglage de la chaîne de l'outil de coupe. Pour installer la chaîne de l'outil de coupe, ouvrez d'abord le couvre-chaîne. Desserrez le boulon hexagonal qui retient le guide-chaîne et la vis de réglage. Dirigez les arêtes dans le sens de la flèche indiquée sur l'outil (sens de rotation). Fixez d'abord la chaîne de l'outil de coupe sur le pignon, puis sur le guide-chaîne. Serrez à moitié le boulon hexagonal. (Fig. 4) Tournez la vis de réglage pour tendre la chaîne de l'outil de coupe. Tirez légèrement la chaîne de l'outil de coupe par le milieu. La tension de la chaîne de l'outil de coupe est adéquate lorsqu'il y a un jeu d'environ 5 à 6 mm entre le guide-chaîne et la chaîne de l'outil de coupe. (Fig. 5) Après avoir réglé la tension, serrez fermement le boulon hexagonal pour immobiliser le guide-chaîne. Serrez aussi légèrement la vis de réglage. Fermez le couvre-chaîne. Pour déposer la chaîne de l'outil de coupe, suivez la procédure de pose en sens inverse.

### Fixation de l'outil à la pièce (Fig. 6 et 7)

Desserrez le levier de l'étau arrière et déplacez cet étau vers l'arrière. Placez l'outil sur la pièce de sorte que l'étau avant entre en contact avec le côté de la pièce. Déplacez l'étau arrière vers l'avant jusqu'à ce que la distance entre ce dernier et la pièce soit de 3 à 8 mm. Serrez le levier de l'étau arrière pour l'immobiliser. Déplacez l'outil de sorte que le "0" de la plaque d'indication soit aligné sur la ligne de coupe (A). Abaissez complètement le levier (A) pour immobiliser la pièce.

Tournez la poignée de réglage jusqu'à ce que le bord avant de la plaque indicatrice jaune soit aligné sur la ligne de coupe (B). (Fig. 8)

## UTILISATION (Fig. 9)

Saisissez fermement les manches de chaque côté. Faites démarrer l'outil et attendez que la chaîne de l'outil de coupe atteigne sa pleine vitesse. Relâchez ensuite le crochet et abaissez la tête de l'outil pour creuser dans la pièce. N'appliquez pas une pression excessive sur l'outil. Non seulement cela peut affecter ses performances, mais il y a aussi risque de réaction dangereuse. Faites avancer l'outil lentement au début de la coupe, lorsque le trou traverse la pièce et lorsque vous creusez dans un nœud. Après la coupe, soulevez doucement la tête de l'outil jusqu'à ce vous puissiez la raccrocher sur le crochet. Coupez ensuite le contact. Soulevez le levier (A) et retirez l'outil de la pièce.

## AVERTISSEMENT :

- Raccrochez toujours la tête de l'outil sur le crochet lorsque vous avez terminé d'utiliser l'outil.
- Ne jamais essayer de creuser dans une pièce tordue ou déformée sans y fixer d'abord solidement l'outil.

## Réglage de la plaque indicatrice et de la plaque d'indication

La plaque indicatrice jaune et la plaque d'indication sont réglées en usine pour la chaîne d'outil de coupe de 16,5 mm fournie en équipement standard. Si elles se désalignent pour une raison quelconque ou si vous utilisez une chaîne d'une autre taille, desserrez les vis et ajustez la plaque indicatrice jaune et la plaque d'indication.

## Agrandissement du trou

### 1. Agrandissement transversal (en largeur) (Fig. 10)

Il est possible d'agrandir un trou transversalement en réglant la plaque de gabarit. La largeur maximale d'agrandissement du trou est de 15 mm.

#### Exemple :

Pour creuser un trou d'une largeur de 25 mm avec une chaîne d'outil de coupe de 16,5 mm, procédez comme suit :

- Poussez le levier (B) pour l'éloigner de vous. Desserrez les boulons hexagonaux qui retiennent la plaque de gabarit.
- Réglez la plaque de gabarit de sorte que la distance de déplacement (D) soit de 8,5 mm (25 mm – 16,5 mm = 8,5 mm). Serrez les boulons hexagonaux pour immobiliser la plaque de gabarit.
- Creusez le premier trou avec le levier (B) poussé loin de vous. Tirez ensuite le levier (B) vers vous et creusez à nouveau pour agrandir le trou.

#### NOTE :

- La plaque de gabarit est réglée en usine pour creuser des trous d'une largeur de 30 mm.

### 2. Agrandissement longitudinal (en longueur)

Pour établir la longueur du trou, suivez les trois étapes du tableau ci-dessous.

Position de la chaîne de l'outil de coupe	Longueur du trou à creuser
Position initiale	52,5 mm
Position de réglage 1	52,5 mm à 105 mm
Position de réglage 2	77,5 mm à 130 mm

#### NOTE :

- Suivant la tension de la chaîne de l'outil de coupe, il se peut que le trou soit creusé un peu plus long que la longueur préétablie.
- Les boulons de réglage hexagonaux sont réglés en usine pour couper des trous d'une longueur de 90 mm en position de réglage 1 et d'une longueur de 120 mm en position de réglage 2.

Abaissez le manche droit tout en soulevant le manche gauche. Assurez-vous que le boulon de réglage hexagonal glisse bien en place. (Fig. 11)

Desserrez l'écrou hexagonal qui retient le boulon de réglage hexagonal. Tournez le boulon de réglage

hexagonal jusqu'à ce que la chaîne de l'outil de coupe atteigne la position désirée, puis serrez l'écrou hexagonal. (Fig. 12)

## AVERTISSEMENT :

- Si vous devez appliquer une pression pour tourner le boulon de réglage hexagonal ou l'écrou hexagonal, prenez garde que le boulon de réglage hexagonal ne glisse hors de la position de réglage.

Pour ramener le chaîne de l'outil de coupe en position perpendiculaire (initiale), tirez le levier (C) vers vous tout en abaissant le manche droit et en soulevant légèrement le manche gauche, et déplacez la chaîne de l'outil de coupe pour la remettre sur sa position initiale.

Lorsque vous creusez un trou, utilisez d'abord la position perpendiculaire, puis la position de réglage 1 et finalement la position de réglage 2. Lorsque vous changez la position de la chaîne de l'outil de coupe, raccrochez toujours correctement la tête de l'outil sur le crochet. (Fig. 13)

Pour agrandir un trou à la fois transversalement et longitudinalement, creusez-le dans l'ordre indiqué de (1) à (6), tel qu'illustré. L'agrandissement du trou se fera plus facilement et de manière plus efficace. (Fig. 14)

## AVERTISSEMENT :

- Ne jamais essayer d'agrandir un trou alors que la chaîne de l'outil de coupe se trouve encore dans le trou. L'outil sera rendu instable et dangereux.
- Ne jamais placer la chaîne de l'outil de coupe en angle pour creuser le premier trou, car il y a risque de dangereux choc en retour. Placez toujours la chaîne de l'outil de coupe en position perpendiculaire pour creuser le premier trou.

Avec cet outil, il est possible de creuser des assemblages à mi-bois de 130 mm maximum. (Fig. 15)

#### NOTE :

- Le creusage d'assemblages à mi-bois n'est possible qu'à l'avant (du côté éloigné de vous) de la pièce.

## ENTRETIEN

### ATTENTION :

- Assurez-vous toujours que l'outil est hors tension et débranché avant d'y effectuer tout travail d'inspection ou d'entretien.
- N'utilisez jamais d'essence, de benzine, de diluant, d'alcool ou de produit similaire. Ces produits risquent de provoquer des décolorations, des déformations ou des fissures.

### Remplacement des charbons (Fig. 16)

Déposez et vérifiez les charbons régulièrement.

Remplacez-les lorsqu'ils atteignent le repère d'usage. Gardez les charbons propres et assurez-vous qu'ils glissent librement dans les porte-charbons. Les deux charbons doivent être remplacés en même temps. Utilisez uniquement des charbons identiques.

Retirez les bouchons de porte-charbon à l'aide d'un tournevis. Enlevez les charbons usés, insérez les neufs et remettez en place les bouchons de porte-charbon.

(Fig. 17)

## Lubrification

Après l'utilisation, retirez les saletés, copeaux et autres corps étrangers qui adhèrent à l'outil. Lubrifiez ensuite les pièces mobiles (tout spécialement la chaîne de l'outil de coupe) et les pièces de contact.

Pour assurer la SÉCURITÉ et la FIABILITÉ du produit, toute réparation et tout travail d'entretien ou de réglage doivent être effectués par un Centre de service après-vente agréé Makita, avec des pièces de rechange Makita.

mise hors tension de l'outil, les périodes de fonctionnement au ralenti et les périodes de mise en route).

## Déclaration de conformité CE

### **Pour les pays d'Europe uniquement**

La Déclaration de conformité CE figure en Annexe A du présent mode d'emploi.

## ACCESSOIRES FOURNIS EN OPTION

### ATTENTION :

- Ces accessoires ou pièces complémentaires sont recommandés pour être utilisés avec l'outil Makita spécifié dans ce mode d'emploi. L'utilisation de tout autre accessoire ou pièce complémentaire peut comporter un risque de blessure. N'utilisez les accessoires ou pièces qu'aux fins auxquelles ils ont été conçus.

Pour obtenir plus de détails sur ces accessoires, contactez votre Centre de service local Makita.

- Chaîne de l'outil de coupe
- Guide-chaîne pour 30 mm
- Pignon 4 pour 30 mm
- Huile (100 cc)

### REMARQUE :

- Certains éléments de la liste peuvent être inclus en tant qu'accessoires standard dans le coffret de l'outil envoyé. Ils peuvent varier suivant les pays.

## Bruit ENG905-1

Les niveaux de bruit pondéré A typiques ont été mesurés selon la norme EN62841-1 :

Niveau de pression sonore ( $L_{pA}$ ) : 90 dB (A)

Niveau de puissance sonore ( $L_{WA}$ ) : 103 dB (A)

Incertitude (K) : 3 dB (A)

**Portez des protections auditives.**

## Vibration ENG900-1

La valeur totale de vibration (somme du vecteur triaxial) a été déterminée selon la norme EN62841-1 :

Émission de vibrations ( $a_h$ ) : 2,5 m/s<sup>2</sup> au maximum

Incertitude (K) : 1,5 m/s<sup>2</sup>

ENG901-1

- La valeur de l'émission des vibrations déclarée a été mesurée conformément à la méthode de test standard et peut être utilisée afin de comparer des outils entre eux.
- La valeur de l'émission des vibrations déclarée peut également être utilisée lors d'une évaluation préliminaire de l'exposition.

### AVERTISSEMENT :

- Selon la manière dont l'outil est utilisé, il est possible que l'émission des vibrations pendant l'utilisation réelle de l'outil électrique diffère de la valeur de l'émission déclarée.
- Veillez à identifier les mesures de sécurité destinées à protéger l'opérateur et établies en fonction de l'estimation de l'exposition dans les conditions réelles d'utilisation (en prenant en compte toutes les étapes du cycle de fonctionnement, telles que les périodes de

# DEUTSCH (Originalanweisungen)

## Erklärung der Gesamtdarstellung

- |                                  |                                  |  |
|----------------------------------|----------------------------------|--|
| 1. Flügelschraube                | 15. Feststellgriff               | 27. Sechskantschraube für Justierung der Feststellposition Nr. 1 |
| 2. Anschlagstange                | 16. Vorderes Schraubstockelement |  |
| 3. Anschlag                      | 17. Anzeigeplatte                |  |
| 4. Entsperrungstaste             | 18. Messlatte                    | 28. Sechskantschraube für Justierung der Feststellposition Nr. 2 |
| 5. Auslöseschaltung              | 19. Schnittlinie (A)             |  |
| 6. Spannungsschraube             | 20. Schnittlinie (B)             |  |
| 7. Kettenschwert                 | 21. Haken                        | 29. Anfangsposition  |
| 8. Kettenschutzabdeckung         | 22. Sechskantschrauben           | 30. Feststellposition Nr.1                                       |
| 9. Sechskantschraube             | 23. Zieheisen                    | 31. Feststellposition Nr.2                                       |
| 10. Pfeil                        | 24. Transportweg (D)             | 32. Lineal   |
| 11. Zahnrad                      | 25. Hebel (B)                    | 33. Vordere Schraubstockelement                                  |
| 12. Hebel (A)                    | 26. Hebel (C)                    | 34. Grenzmarkierung  |
| 13. Schraubstockhebel            |                                  | 35. Bürstenhalterkappe   |
| 14. Hinteres Schraubstockelement |                                  | 36. Schraubendreher  |

## TECHNISCHE ANGABEN

Modell		7104L
Kapazität	Max. Fräslänge (Longitudinal)	130 mm
	Max. Frästiefe	155 mm
Breite verwendbarer Werkstücke		80 mm – 308 mm
Kettengeschwindigkeit		300 m/min
Abmessungen (L × B × H)		512 mm × 298 mm × 513 mm
Nettogewicht		17,8 - 18,2 kg
Sicherheitsklasse		Klasse I


- Aufgrund unserer beständigen Forschungen und Weiterentwicklungen sind Änderungen an den hier angegebenen Technischen Daten ohne Vorankündigung vorbehalten.
- Die Technischen Daten können in den einzelnen Ländern voneinander abweichen.
- Das Gewicht kann sich je nach Umfang und Art der vorhandenen Zubehörteile ändern. Das Gewicht der leichtest- und schwerstmöglichen Kombination, das im Einklang mit dem EPTA-Verfahren 01/2014 ermittelt wurde, ist in der Tabelle aufgeführt.

**Art der Nutzung** ENE062-1  
Das Werkzeug wurde für das Schneiden von Zapfenlöchern in Holz entwickelt.

**Stromversorgung** ENF001-1  
Das Gerät darf nur an Stromquellen mit der auf dem Typenschild angegebenen Spannung und einphasigem Wechselstrom betrieben werden. Während der Verwendung sollte dieses Werkzeug geerdet werden, um zu verhindern, dass der Bediener einen Stromschlag erhält. Verwenden Sie nur dreidrigge Verlängerungskabel, die über Dreistiftstecker und dreipolige Steckdosen verfügen, die für den Stecker des Werkzeugs geeignet sind.

## Allgemeine Sicherheitswarnungen für Elektrowerkzeuge

GEA010-2

 **WARNUNG:** Lesen Sie alle mit diesem Elektrowerkzeug gelieferten Sicherheitswarnungen, Anweisungen, Abbildungen und technischen Daten durch. Eine Missachtung der unten aufgeführten

Anweisungen kann zu einem elektrischen Schlag, Brand und/oder schweren Verletzungen führen.

## Bewahren Sie alle Warnungen und Anweisungen für spätere Bezugnahme auf.

Der Ausdruck „Elektrowerkzeug“ in den Warnhinweisen bezieht sich auf Ihr mit Netzstrom (mit Kabel) oder Akku (ohne Kabel) betriebenes Elektrowerkzeug.

## ZUSÄTZLICHE SICHERHEITSGELTEN

ENB093-1

1. Dieses Werkzeug darf nur für das Fräsen von Löchern in Holz verwendet werden.
2. Dieses Werkzeug ist für das Fräsen von Löchern in Holz mit glatter Oberfläche bestimmt. Verwenden Sie das Werkzeug niemals, um Löcher in einen Baumstamm oder Holzscheit zu fräsen.
3. Tragen Sie Gehörschutz.
4. Seien Sie im Umgang mit der Fräskette vorsichtig, da sie sehr scharf ist.

5. **Legen Sie das Werkstück auf Holzblöcke oder einen kurzen Balken, um zu verhindern, dass die Fräskette direkt auf dem Untergrund, Boden usw. aufschlägt. Dies würde die Fräskette zum Zeitpunkt des Lochdurchschlags beschädigen.**
6. **Die Fräskette muss vor ihrer Inbetriebnahme sorgfältig auf Risse oder sonstige Beschädigungen überprüft werden. Gesprungene oder beschädigte Fräsketten müssen sofort ersetzt werden.**
7. **Das Werkzeug muss gut am Werkstück befestigt sein.**
8. **Überprüfen Sie vor dem Betrieb, ob das Werkstück Nägel oder sonstige Gegenstände enthält. Ist dies der Fall, entfernen Sie diese.**
9. **Das Werkzeug darf nicht betrieben werden, wenn die Schutzabdeckung geöffnet ist.**
10. **Tragen Sie während der Verwendung keine Handschuhe.**
11. **Halten Sie Ihre Hände von den beweglichen Teilen fern.**
12. **Entfernen Sie das Werkzeug nach dem Betrieb vom Werkstück, damit es nicht herunterfällt und möglicherweise zu Verletzungen führt.**
13. **Gehen Sie ordnungsgemäß mit dem Kabel um. Ziehen Sie niemals am Kabel, um das Gerät aus der Steckdose zu ziehen. Halten Sie das Kabel von Hitze, Öl, Wasser und scharfen Gegenständen und Kanten fern.**
14. **RICHTIGE ERDUNG. Während der Verwendung sollte dieses Werkzeug geerdet werden, um zu verhindern, dass der Bediener einen Stromschlag erhält.**
15. **VERLÄNGERUNGSKABEL. Verwenden Sie nur dreiadriges Verlängerungskabel, die über Dreistiftstecker und dreipolige Steckdosen verfügen, die für den Stecker des Werkzeugs geeignet sind. Beschädigte oder abgenutzte Kabel müssen sofort ersetzt oder repariert werden.**

## BEWAHREN SIE DIESE ANWEISUNGEN AUF.

## FUNKTIONSBESCHREIBUNG

### ACHTUNG:

- Schalten Sie das Werkzeug aus und ziehen Sie den Stecker, bevor Sie Einstellungen oder eine Funktionsprüfung des Werkzeugs vornehmen.

### Frästiefe einstellen (Abb. 1)

Lockern Sie die Flügelschraube am Anschlag. Verschieben Sie den Anschlag an die gewünschte Position, und ziehen Sie die Flügelschraube an. Wenn die Flügelschrauben angezogen sind, sollten ihre Enden die glatte Oberfläche der Anschlagstange berühren. Die Zahlen an der Anschlagstange werden in cm angegeben (3 mm pro Einteilung).

### Bedienung des Schalters (Abb. 2)

#### ACHTUNG:

- Achten Sie vor dem Einstecken des Werkzeugs darauf, dass sich der Auslöseschalter korrekt bedienen lässt

und beim Loslassen auf die Position "OFF" zurückkehrt.

Damit die Auslöseschaltung nicht versehentlich gezogen wird, befindet sich am Werkzeug eine Entsperrungstaste. Zum Start des Werkzeugs müssen die Entsperrungstaste gedrückt und die Auslöseschaltung gezogen werden. Lassen Sie die Auslöseschaltung los, um das Werkzeug auszuschaalen.

## MONTAGE

### ACHTUNG:

- Schalten Sie das Werkzeug aus und ziehen Sie den Stecker, bevor Sie irgendwelche Arbeiten am Werkzeug vornehmen.

### Montage und Demontage der Fräskette (Abb. 3)

#### WARNING:

- Schalten Sie das Werkzeug aus und ziehen Sie den Stecker, bevor Sie die Fräskette einsetzen oder entfernen.
- Schließen Sie immer die Schutzabdeckung nach dem Einsetzen, Entfernen oder Spannen der Fräskette.

Zum Einsetzen der Fräskette muss die Schutzabdeckung geöffnet werden. Lockern Sie die Sechskantschraube, mit der das Kettenschwert und die Spannungsschraube befestigt sind.

Richten Sie die Fräszähne in der Richtung des Pfeils aus, der sich auf dem Werkzeug befindet (Drehbewegung).

Befestigen Sie die Fräskette zunächst am Zahnrad und anschließend am Kettenschwert. Ziehen Sie die Sechskantschraube halb an. **(Abb. 4)**

Drehen Sie die Spannungsschraube, um die Spannung der Fräskette zu erhöhen. Ziehen Sie leicht an der Mitte der Fräskette. Wenn zwischen dem Kettenschwert und der Fräskette ein Abstand von ca. 5 - 6 mm besteht, ist die Spannung der Fräskette richtig. **(Abb. 5)**

Ziehen Sie nach der Anpassung der Spannung die Sechskantschraube fest an, um das Kettenschwert ordnungsgemäß zu sichern. Ziehen Sie außerdem die Spannungsschraube leicht an. Schließen Sie die Schutzabdeckung.

Zum Entnehmen der Fräskette befolgen Sie die Einbauprozedur in umgekehrter Reihenfolge.

### Befestigung des Werkstücks am Werkzeug (Abb. 6 und 7)

Lockern Sie den Schraubstockhebel, und bewegen Sie den hinteren Teil des Schraubstocks nach hinten. Legen Sie das Werkzeug so am Werkstück an, dass der vordere Teil des Schraubstocks die Seite des Werkstücks berührt. Fahren Sie mit dem hinteren Schraubstockelement nach vorne, bis der Abstand zwischen dem hinteren Schraubstockelement und dem Werkstück 3 bis 8 mm beträgt. Ziehen Sie dann den Schraubstockhebel an, um das hintere Schraubstockelement zu sichern. Bewegen Sie das Werkzeug, bis die Zahl „0“ auf der Messlatte an der Schnittlinie (A) ausgerichtet ist. Drücken Sie den Hebel (A) ganz nach unten, um das Werkstück zu sichern. Drehen Sie den Feststellgriff, bis die vordere Kante der gelben Anzeigeplatte an der Schnittlinie (B) ausgerichtet ist. **(Abb. 8)**

# BETRIEB (Abb. 9)

Fassen Sie die Griffe fest an beiden Seiten an. Schalten Sie das Werkzeug ein, und warten Sie, bis die Fräskette ihre Endgeschwindigkeit erreicht hat. Lassen Sie dann den Haken los, und fahren Sie mit dem Werkzeugkopf nach unten, um in das Werkstück zu schneiden. Üben Sie keinen starken Druck auf das Werkzeug aus. Starker Druck wirkt sich nicht nur negativ auf die Arbeitsleistung aus, sondern ist auch gefährlich. Bewegen Sie das Werkzeug zu Beginn des Fräsvorgangs, beim Lochdurchschlag und beim Sägen eines Astlochs im Werkstück langsam. Heben Sie nach dem Fräsen den Werkzeugkopf vorsichtig, bis Sie diesen wieder einhaken können. Schalten Sie dann das Werkzeug aus. Heben Sie den Hebel (A), und entfernen Sie das Werkzeug vom Werkstück.

## WARNUNG:

- Haken Sie den Werkzeugkopf immer wieder ein, wenn das Werkzeug nicht betrieben wird.
- Versuchen Sie niemals, ein verdrehtes oder welliges Werkstück zu schneiden, an dem das Werkzeug nicht richtig befestigt werden kann.

## Einstellung der Anzeigeplatte und Messlatte

Die gelbe Anzeigeplatte und die Messlatte sind werkseitig für eine standardmäßig ausgerüstete Fräskette von 16,5 mm eingestellt. Wenn die Einstellung aus irgendeinem Grund nicht stimmt, oder wenn Sie eine Fräskette mit einer anderen Größe verwenden, lockern Sie die Schrauben, und passen Sie die gelbe Anzeigeplatte und Messlatte entsprechend an.

## Vergrößerung des Zapfenlochs

### 1. Quervergrößerung (der Breite nach) (Abb. 10)

Ein Zapfenloch kann in der Breite vergrößert werden, indem das Zieheisen entsprechend eingestellt wird. Die maximale Ausdehnung der Lochbreite beträgt 15 mm.

#### Beispiel:

Gehen Sie beim Fräsen eines Zapfenlochs mit einer Breite von 25 mm wie folgt vor, wenn Sie eine Fräskette von 16,5 mm verwenden:

- Drücken Sie den Hebel (B) von sich weg. Lockern Sie die Sechskantschrauben, mit denen das Zieheisen befestigt ist.
- Stellen Sie das Zieheisen so ein, dass der Transportweg (D) 8,5 mm beträgt; d. h. 25 mm - 16,5 mm = 8,5 mm. Ziehen Sie die Sechskantschrauben an, um das Zieheisen zu befestigen.
- Fräsen Sie das erste Zapfenloch, wobei der Hebel (B) von Ihnen weggedrückt wird. Ziehen Sie dann den Hebel (B) zu sich her, und vergrößern Sie mit diesem erneuten Fräsvorgang das Zapfenloch.

## HINWEIS:

- Das Zieheisen ist werkseitig für das Fräsen von 30 mm breiten Zapfenlöchern eingestellt.

### 2. Longitudinale Vergrößerung (der Länge nach)

Die Länge des Zapfenlochs kann in drei Schritten festgelegt werden (siehe Tabelle unten).

Position der Fräskette	Zu fräsende Länge des Zapfenlochs
Anfangsposition	52,5 mm
Feststellposition Nr.1	52,5 mm - 105 mm
Feststellposition Nr.2	77,5 mm - 130 mm

## HINWEIS:

- Abhängig von der Spannung der Fräskette kann das Zapfenloch geringfügig länger ausfallen als zuvor festgelegt.
- Die Sechskantschrauben für die Justierung sind werkseitig so eingestellt, dass bei der Feststellposition Nr. 1 Zapfenlöcher mit einer Länge von 90 mm, und bei der Feststellposition Nr. 2 Zapfenlöcher mit einer Länge von 120 mm gefräst werden.

Drücken Sie den rechten Griff nach unten, während Sie gleichzeitig den linken Griff nach oben ziehen. Vergewissern Sie sich, dass die Sechskantschraube für die Justierung fest an ihrem Platz sitzt. (Abb. 11) Lockern Sie die Sechskantmutter, mit der die justierende Sechskantschraube befestigt ist. Drehen Sie die justierende Sechskantschraube, bis sich die Fräskette an der gewünschten Position befindet, und ziehen Sie dann die Sechskantmutter an. (Abb. 12)

## WARNUNG:

- Wenn Sie beim Drehen der justierenden Sechskantschraube oder der Sechskantmutter Druck ausüben, vergewissern Sie sich, dass die justierende Sechskantschraube nicht aus ihrer Feststellposition rutscht.

Um die Fräskette wieder zurück in ihre senkrechte (ursprüngliche) Position zu bringen, ziehen Sie den Hebel (C) zu sich her, während Sie den rechten Griff hinunterdrücken und den linken Griff leicht anheben. Bewegen Sie dabei die Fräskette wieder in ihre ursprüngliche Position.

Verwenden Sie beim Fräsen eines Zapfenlochs zunächst die senkrechte Position, dann die Feststellposition Nr. 1 und schließlich die Feststellposition Nr. 2. Achten Sie beim Ändern der Position der Fräskette darauf, dass der Werkzeugkopf sorgfältig wieder eingehakt wird. (Abb. 13) Wenn Sie ein Zapfenloch sowohl der Breite als auch der Länge nach vergrößern, fräsen Sie die Zapfenlöcher in der in der Abbildung angegebenen Reihenfolge von Nr. (1) bis (6). Dadurch wird die Zapfenlochvergrößerung erheblich vereinfacht und effizienter gestaltet. (Abb. 14)

## WARNUNG:

- Versuchen Sie niemals, ein Zapfenloch zu vergrößern, wenn sich die Fräskette noch im Loch befindet. In diesem Fall wäre der Vorgang instabil und gefährlich.
- Halten Sie die Fräskette niemals in einem schrägen Winkel, wenn Sie das erste Zapfenloch fräsen, da es andernfalls zu einem gefährlichen Rückschlag kommen kann. Achten Sie beim Fräsen des ersten Zapfenlochs immer darauf, dass sich die Fräskette in der senkrechten Position befindet.

Mit diesem Werkzeug können einschichtige Verbindungen von bis zu 130 mm gefräst werden. (Abb. 15)

## HINWEIS:

- Einschnittige Verbindungen können nur auf der Vorderseite (der von Ihnen abgewandten Seite) des Werkstücks gefräst werden.

## WARTUNG

### ACHTUNG:

- Schalten Sie das Werkzeug stets aus und ziehen Sie den Stecker, bevor Sie Inspektionen oder Wartungsarbeiten am Werkzeug vornehmen.
- Verwenden Sie zum Reinigen niemals Kraftstoffe, Benzin, Verdünnern, Alkohol oder ähnliches. Dies kann zu Verfärbungen, Verformungen oder Rissen führen.

### Austausch der Kohlebürsten (Abb. 16)

Entfernen und überprüfen Sie die Kohlebürsten in regelmäßigen Abständen. Ersetzen Sie diese, wenn sie bis zur Grenzmarkierung abgenutzt sind. Halten Sie die Kohlebürsten sauber und sorgen Sie dafür, dass sie locker in den Halterungen liegen. Beide Kohlebürsten sollten gleichzeitig ersetzt werden. Verwenden Sie nur identische Kohlebürsten.

Verwenden Sie einen Schraubendreher, um die Bürstenhalterkappen zu entfernen. Entnehmen Sie die verbrauchten Kohlebürsten, legen Sie die neuen ein und bringen Sie die Bürstenhalterkappen wieder fest an.

(Abb. 17)

### Schmierung

Entfernen Sie nach der Verwendung Schmutz, Späne und Fremdgegenstände vom Werkzeug. Ölen Sie anschließend die beweglichen Teile (insbesondere die Fräskette) sowie die Kontaktbereiche ein.

Um die SICHERHEIT und ZUVERLÄSSIGKEIT des Produkts zu gewährleisten, sollten Reparaturen, Wartungsarbeiten und Einstellungen nur durch von Makita autorisierte Service Center durchgeführt und immer Makita-Ersatzteile verwendet werden.

## SONDERZUBEHÖR

### ⚠️ ACHTUNG:

- Für das in diesem Handbuch beschriebene Makita-Gerät werden die folgenden Zubehör- und Zusatzteile empfohlen. Bei Verwendung anderer Zubehör- und Zusatzteile kann es zu Verletzungen kommen. Verwenden Sie Zubehör- und Zusatzteile nur für den vorgesehenen Zweck.

Informationen zu diesem Zubehör erhalten Sie von Ihrem Makita-Servicecenter.

- Fräskette
- Kettenschwert für 30 mm
- Zahnrad 4 für 30 mm
- Ölverrat (100 cc)

### HINWEIS:

- Einige der in der Liste aufgeführten Elemente sind dem Werkzeugpaket als Standardzubehör beigelegt. Diese können in den einzelnen Ländern voneinander abweichen.

## Schall

ENG905-1

Typischer A-bewerteter Schallpegel nach EN62841-1:

Schalldruckpegel ( $L_{pA}$ ): 90 dB (A)

Schallleistungspegel ( $L_{WA}$ ): 103 dB (A)

Abweichung (K): 3 dB (A)

**Tragen Sie Gehörschutz.**

### Schwingung

ENG900-1

Schwingungsgesamtwerte (Vektorsumme dreier Achsen) nach EN62841-1:

Schwingungsbelastung ( $a_{h1}$ ): 2,5 m/s<sup>2</sup> oder weniger

Abweichung (K): 1,5 m/s<sup>2</sup>

ENG901-1

- Der hier angegebene Wert für die erzeugten Schwingungen wurde gemäß dem genannten Testverfahren ermittelt und kann als Vergleich zu anderen Werkzeugen herangezogen werden.
- Der angegebene Wert für die erzeugten Schwingungen ist außerdem für eine vorbeugende Bewertung der Belastung zu verwenden.

### ⚠️ WARNUNG:

- Die Schwingungsbelastung kann bei tatsächlichem Gebrauch des Elektrowerkzeugs in Abhängigkeit von der Handhabung des Elektrowerkzeugs von dem hier aufgeführten Wert abweichen.
- Stellen Sie sicher, dass Schutzmaßnahmen für den Bediener getroffen werden, die auf den unter den tatsächlichen Arbeitsbedingungen zu erwartenden Belastungen beruhen (beziehen Sie alle Bestandteile des Arbeitsablaufs ein, also zusätzlich zu den Arbeitszeiten auch Zeiten, in denen das Werkzeug ausgeschaltet ist oder ohne Last läuft).

### EG-Konformitätserklärung

#### **Nur für europäische Länder**

Die EG-Konformitätserklärung liegt dieser Betriebsanleitung als Anhang A bei.

## ITALIANO (Istruzioni originali)

### Spiegazione della vista generale

- |                              |                            |   |
|------------------------------|----------------------------|---|
| 1. Vite a farfalla           | 14. Morsa posteriore       | 27. Regolazione del bullone per la posizione n. 1 |
| 2. Asta di arresto           | 15. Braccio regolazione    | 28. Regolazione del bullone per la posizione n. 2 |
| 3. Fermo                     | 16. Morsa anteriore        | 29. Posizione originale                           |
| 4. Sicura di accensione      | 17. Placca di regolazione  | 30. Posizione n. 1                                |
| 5. Interruttore d'accensione | 18. Piastra di misurazione | 31. Posizione n. 2                                |
| 6. Vite di regolazione       | 19. Linea di taglio (A)    | 32. Righello                                      |
| 7. Supporto catena           | 20. Linea di taglio (B)    | 33. Morsa anteriore                               |
| 8. Coperchio catena          | 21. Gancio                 | 34. Indicatore limite                             |
| 9. Bullone esagonale         | 22. Bulloni esagonali      | 35. Coperchio supporto spazzola                   |
| 10. Freccia                  | 23. Piastra graduata       | 36. Cacciavite                                    |
| 11. Dente                    | 24. Lunghezza corsa (D)    |   |
| 12. Leva (A)                 | 25. Leva (B)               |   |
| 13. Leva morsa               | 26. Leva (C)               |   |

## CARATTERISTICHE TECNICHE

Modello		7104L
Capacità	Lungh. max foro (longitudinale)	130 mm
	Prof. max foro	155 mm
Larghezza del pezzo da lavorare		80 mm – 308 mm
Velocità catena		300 m/min
Dimensioni (P × L × H)		512 mm × 298 mm × 513 mm
Peso netto		17,8 - 18,2 kg
Classe di sicurezza		Classe I

- Le caratteristiche tecniche riportate di seguito sono soggette a modifiche senza preavviso in virtù del nostro programma continuo di ricerca e sviluppo.
- Le caratteristiche tecniche possono differire da paese a paese.
- Il peso può variare in base agli accessori in uso. Le combinazioni più leggere e pesanti, in conformità alla procedura EPTA 01/2014, sono mostrate nella tabella.

### Uso previsto

ENE062-1

Lo strumento è ideato per il taglio di mortase in legno.

### Alimentazione

ENF001-1

L'utensile deve essere collegato a una presa di energia elettrica con la stessa tensione di quella indicata sulla targhetta e può essere azionato soltanto da energia elettrica a corrente alternata monofase. Per proteggere l'operatore dal rischio di scosse elettriche, l'utensile deve essere utilizzato soltanto se collegato a terra. Utilizzare solo cavi a tre conduttori con spine tripolari dotate di messa a terra e prese a tre poli adatte alla spina.

## Avvertenze generali relative alla sicurezza dell'utensile elettrico

GEA010-2

**⚠ AVVERTENZA:** Leggere tutte le avvertenze di sicurezza, le istruzioni, le illustrazioni e i dati tecnici forniti con il presente utensile elettrico. La mancata osservanza di tutte le istruzioni elencate di seguito potrebbe risultare in scosse elettriche, incendi e/o gravi lesioni personali.

## Conservare tutte le avvertenze e le istruzioni come riferimento futuro.

Il termine "utensile elettrico" nelle avvertenze si riferisce sia all'utensile elettrico (cablato) nel funzionamento alimentato da rete elettrica che all'utensile elettrico (a batteria) nel funzionamento alimentato a batteria.

## ULTERIORI REGOLE DI SICUREZZA

ENB093-1

1. Questo utensile deve essere utilizzato esclusivamente per l'apertura di fori nel legno.
2. Il legno deve avere una superficie piana. Non utilizzarlo mai per l'apertura di fori su tronchi.
3. Indossare protezioni per le orecchie.
4. Manovrare la catena della sega con precauzione, perché è molto affilata.
5. Collocare il pezzo in lavorazione su blocchi di legno o su travetti, in modo che la catena della sega non tocchi il terreno, il pavimento o altre superfici danneggiandosi all'apertura del foro.
6. Prima di accendere l'utensile, controllare attentamente la catena al fine di verificare

- l'assenza di fessure o danni. Sostituire immediatamente la catena rotta o danneggiata.
7. **Fissare saldamente l'utensile al pezzo in lavorazione.**
  8. **Prima di accendere l'utensile, controllare il pezzo in lavorazione e rimuovere chiodi e altri oggetti estranei.**
  9. **Non accendere l'utensile con il coperchio di sicurezza aperto.**
  10. **Non indossare guanti.**
  11. **Tenere le mani lontane dalle parti mobili.**
  12. **Al termine dell'operazione, rimuovere l'utensile dal pezzo in lavorazione, in modo che non cada provocando possibili lesioni.**
  13. **Non tirare il cavo. Non tirare il cavo per disconnetterlo dalla presa. Tenere il cavo lontano da calore, olio, acqua e bordi taglienti.**
  14. **CORRETTO COLLEGAMENTO A MASSA. Per proteggere l'operatore dal rischio di scosse elettriche, l'utensile deve essere utilizzato soltanto se collegato a massa.**
  15. **CAVI DI PROLUNGA. Utilizzare solo cavi a tre conduttori con spine tripolari dotate di messa a terra e prese a tre poli adatte alla spina. Sostituire o riparare immediatamente cavi danneggiati o logori.**

## CONSERVARE QUESTE ISTRUZIONI.

## DESCRIZIONE FUNZIONALE

### ATTENZIONE:

- Prima di regolare o controllare il funzionamento dell'utensile, accertarsi di averlo spento e scollegato dalla rete elettrica.

### Regolazione della profondità di taglio (Fig. 1)

Allentare la vite a farfalla del fermo. Collocare il fermo nella posizione desiderata e stringere la vite a farfalla. Quando è serrata, la punta delle viti a farfalla deve toccare la superficie piana dell'asta di arresto. I numeri presenti sull'asta di arresto sono espressi in centimetri. Ogni segno di divisione corrisponde a 3 mm.

### Azionamento dell'interruttore (Fig. 2)

#### ATTENZIONE:

- Prima di collegare l'utensile, controllare se l'interruttore di accensione funziona correttamente e ritorna alla posizione "OFF" una volta rilasciato.
- La sicura consente di evitare di azionare involontariamente l'interruttore di accensione. Per accendere l'utensile spingere la sicura e tirare l'interruttore di accensione. Per spegnerlo rilasciare l'interruttore di accensione.

## MONTAGGIO

### ATTENZIONE:

- Prima di iniziare qualsiasi lavoro sull'utensile, accertarsi di averlo spento e scollegato dalla rete elettrica.

### Installazione o rimozione della catena (Fig. 3)

#### AVVERTENZA:

- Prima di installare o rimuovere la catena, assicurarsi sempre che l'utensile sia spento e scollegato.
- Chiudere sempre il coperchio dopo l'installazione, la rimozione o la regolazione della catena.

Per installare la catena aprire il coperchio. Allentare il bullone del supporto della catena e la vite di regolazione. Orientare le lame nella direzione della freccia presente sull'utensile (direzione della rotazione). Attaccare la catena prima al dente e, quindi, al supporto. Riavvitare parzialmente il bullone. (Fig. 4)

Girare la vite di regolazione per aumentare la tensione della catena. Tirare leggermente al centro della catena. Quando la distanza tra il supporto e la catena è di circa 5 – 6 mm, la tensione applicata alla catena è adeguata. (Fig. 5)

Dopo aver regolato la tensione, stringere il bullone per fissare il supporto della catena. Stringere delicatamente la vite di regolazione. Chiudere il coperchio della catena. Per rimuovere la catena, seguire la procedura inversa all'installazione.

### Fissaggio dell'utensile al pezzo in lavorazione (Fig. 6 e 7)

Allentare la leva della morsa e spostare indietro la parte posteriore. Collocare l'utensile sul pezzo in lavorazione in modo che la parte frontale della morsa sia a contatto con il lato del pezzo in lavorazione. Spostare la parte posteriore della morsa in avanti fino a che la distanza tra la parte posteriore e il pezzo in lavorazione sia di 3/8 mm. Stringere la leva per fissare la parte posteriore della morsa. Orientare l'utensile in modo che lo "0" sulla piastra di misurazione sia allineato con la linea di taglio (A). Spingere la leva (A) completamente verso il basso in modo da fissare il pezzo in lavorazione. Ruotare il braccio di regolazione fino a quando il bordo frontale della placca di regolazione gialla sia allineato con la linea di taglio (B). (Fig. 8)

## FUNZIONAMENTO (Fig. 9)

Afferrare saldamente le impugnature su entrambi i lati. Accendere l'utensile e attendere che raggiunga la massima velocità. Quindi rilasciare il gancio e abbassare la testa dell'utensile per tagliare il pezzo in lavorazione. Non esercitare una pressione eccessiva. Questo potrebbe non solo ridurre l'efficienza operativa, ma anche determinare una pericolosa reazione. Procedere lentamente all'inizio dell'operazione di taglio, al momento dell'apertura del foro e quando si incontra un nodo nel pezzo in lavorazione. Al termine del taglio, sollevare delicatamente la testa dell'utensile fino a riagganciarla. Quindi spegnere l'utensile. Sollevare la leva (A) e allontanare l'utensile dal pezzo in lavorazione.

#### AVVERTENZA:

- Quando l'utensile non è in funzione, riagganciare sempre la testa al gancio.
- Non cercare mai di tagliare un pezzo contorto o curvo senza aver fissato saldamente l'utensile.

### Placca di regolazione e piastra di misurazione

La piastra di regolazione gialla e la piastra graduata sono regolate dalla fabbrica per le catene standard da 16,5 mm. Se per qualsiasi motivo si perde l'allineamento oppure se si utilizza una catena di un'altra dimensione, allentare le viti e regolare la piastra di regolazione e la piastra graduata.

### Ampliamento di fori

#### 1. Ampliamento trasversale (larghezza) (Fig. 10)

Per ampliare un foro trasversalmente, regolare la piastra graduata. L'ampliamento massimo dei fori è di 15 mm.

##### Esempio:

Per aprire un foro della larghezza di 25 mm utilizzando una catena da 16,5 mm, procedere come indicato di seguito:

- Spingere la leva (B) in direzione opposta a sé. Allentare i bulloni di fissaggio della piastra graduata.
- Regolare la piastra graduata in modo che la lunghezza della corsa (D) sia di 8,5 mm, ovvero,  $25 \text{ mm} - 16,5 \text{ mm} = 8,5 \text{ mm}$ . Stringere i bulloni per fissare la piastra graduata.
- Tagliare il primo foro con la leva (B) in posizione opposta a sé. Quindi, tirare la leva (B) verso sé stessi e tagliare nuovamente per ampliare il foro.

#### NOTA:

- la piastra graduata è regolata in fabbrica per il taglio di fori con un'ampiezza di 30 mm.

#### 2. Ampliamento longitudinale (lunghezza)

La lunghezza di un foro si può determinare in base alle tre fasi descritte nella tabella seguente.

Posizione della catena	Lunghezza del foro da aprire
Posizione originale	52,5 mm
Posizione n. 1	52,5 mm/105 mm
Posizione n. 2	77,5 mm/130 mm

#### NOTA:

- è possibile aprire un foro leggermente più lungo di quello predisposto a seconda della tensione della catena.
- La regolazione dei bulloni è determinata in fabbrica per il taglio di fori da 90 mm di lunghezza nella posizioni n. 1 e da 120 mm di lunghezza nella posizione n. 2. Spingere verso il basso l'impugnatura destra sollevando, contemporaneamente, quella sinistra. Assicurarsi che i bulloni di regolazione si inseriscano saldamente. (Fig. 11) Allentare il dado esagonale di fissaggio del bullone di regolazione. Avvitare il bullone di regolazione fino a quando la catena raggiunge la posizione desiderata, quindi avvitare il dado esagonale. (Fig. 12)

#### AVVERTENZA:

- Quando si esercita una pressione per avvitare il bullone di regolazione o il dado esagonale, prestare attenzione per evitare di far fuoriuscire il bullone di regolazione.

Per riportare la catena alla posizione perpendicolare (originale), tirare la leva (C) verso di sé e, contemporaneamente, premere verso il basso l'impugnatura destra sollevando leggermente l'impugnatura sinistra e riportando la catena nella posizione originale.

Nel taglio di un foro, utilizzare innanzitutto la posizione perpendicolare, quindi la posizione n.1 e, infine, la posizione n.2. Ogni volta che si sposta la catena, riagganciare sempre la testa dell'utensile al gancio.

#### (Fig. 13)

Quando si amplia un foro sia trasversalmente che longitudinalmente, tagliare i fori nell'ordine indicato nella figura procedendo dal n. (1) al n. (6). In tal modo, l'operazione risulta più agevole ed efficiente. (Fig. 14)

#### AVVERTENZA:

- Non tentare mai di ampliare un foro se la catena è ancora inserita nel foro stesso. In caso contrario, le condizioni operative potrebbero diventare instabili e pericolose.
- Non angolare mai la catena durante il taglio del primo foro, perché si potrebbe verificare un pericoloso contraccolpo. Durante il taglio del primo foro, tenere sempre la catena in posizione perpendicolare.

Con questo utensile è possibile tagliare giunti a sovrapposizione fino a un massimo di 130 mm. (Fig. 15)

#### NOTA:

- È possibile tagliare giunti a sovrapposizione solo sulla parte frontale, ovvero quella rivolta verso di sé, del pezzo in lavorazione.

## MANUTENZIONE

#### ATTENZIONE:

- Prima di eseguire operazioni di controllo o manutenzione, verificare sempre di aver spento e scollegato dalla rete elettrica l'utensile.
- Evitare assolutamente di usare benzina, diluenti, solventi, alcol o sostanze simili. In caso contrario, potrebbero verificarsi scoloriture, deformazioni o incrinature.

### Sostituzione delle spazzole di carbone (Fig. 16)

Rimuovere e controllare periodicamente le spazzole di carbone. Sostituirle quando sono consumate fino al limite indicato. Mantenere le spazzole di carbone pulite e libere di scorrere nei supporti. Entrambe le spazzole di carbone devono essere sostituite contemporaneamente. Utilizzare solo spazzole di carbone identiche. Rimuovere le protezioni del supporto della spazzola con un cacciavite. Estrarre le spazzole di carbone consumate, inserire le nuove spazzole e fissare le protezioni del supporto della spazzola. (Fig. 17)

## Lubrificazione

Dopo l'utilizzo, rimuovere polvere, frammenti e altri corpi estranei. Quindi, oliare le parti mobili, in particolare la catena, e le parti soggette ad attrito.

Per conservare la SICUREZZA e l'AFFIDABILITÀ del prodotto, le riparazioni o qualsiasi altra manutenzione o regolazione devono essere eseguiti dai centri di assistenza autorizzati Makita utilizzando sempre parti di ricambio Makita.

periodi in cui rimane inattivo, oltre al tempo di avviamento).

## Dichiarazione di conformità CE

### **Solo per i paesi europei**

La dichiarazione di conformità CE è inclusa nell'Allegato A di questo manuale di istruzioni.

## ACCESSORI OPZIONALI

### **⚠ ATTENZIONE:**

- Si consiglia l'uso dei seguenti accessori per l'utensile Makita descritto in questo manuale. L'uso di qualsiasi altro accessorio potrebbe provocare lesioni personali. Utilizzare gli accessori esclusivamente per l'uso dichiarato.

Per l'assistenza e per ulteriori informazioni su tali accessori, rivolgersi al centro assistenza Makita di zona.

- Catena
- Supporto catena da 30 mm
- Dente 4 da 30 mm
- Olio in dotazione (100 cc)

### **NOTA:**

- Alcuni degli accessori elencati potrebbero essere inclusi nella confezione dell'utensile come accessori standard. Gli accessori standard possono differire da paese a paese.

## Rumore

ENG905-1

Il tipico livello di rumore ponderato "A" è determinato in conformità con la norma EN62841-1:

Livello di pressione sonora ( $L_{pA}$ ): 90 dB (A)

Livello di potenza sonora ( $L_{WA}$ ): 103 dB (A)

Variazione (K): 3 dB (A)

**Indossare una protezione acustica.**

## Vibrazioni

ENG900-1

Il valore totale della vibrazione (somma vettoriale triassiale) è determinato in conformità con la norma EN62841-1:

Emissione delle vibrazioni ( $a_h$ ): 2,5 m/s<sup>2</sup> o inferiore

Variazione (K): 1,5 m/s<sup>2</sup>

ENG901-1

- Il valore di emissione delle vibrazioni dichiarato è stato misurato in conformità con il metodo di test standard e può essere utilizzato per confrontare tra loro diversi utensili.
- Il valore dell'emissione delle vibrazioni dichiarato può anche essere usato per stime preliminari dell'esposizione.

### **⚠ AVVERTENZA:**

- L'emissione delle vibrazioni durante l'uso effettivo dell'utensile elettrico può risultare diversa rispetto al valore dichiarato, in base alla modalità d'uso dell'utensile.
- Assicurarsi di individuare le necessarie misure di sicurezza per proteggere l'operatore in base a una stima dell'esposizione nelle condizioni reali di utilizzo (prendendo in considerazione tutte le fasi del ciclo operativo, come quante volte l'utensile viene spento e i

## NEDERLANDS (Originele instructies)

### Verklaring van het onderdelenoverzicht

1. Vleugelmoer	14. Achterbankschroef	27. Zeskantbout voor het afstellen van stelstand 1
2. Aanslagstang	15. Instelhandvat	28. Zeskantbout voor het afstellen van stelstand 2
3. Aanslag	16. Voorbankschroef	29. Oorspronkelijke stand
4. Uit-vergrendelknop	17. Aanwijzer	30. Stelstand 1
5. Aan/uit-schakelaar	18. Aanwijsplaat	31. Stelstand 2
6. Stelbout	19. Freeslijn (A)	32. Liniaal
7. Kettingstang	20. Freeslijn (B)	33. Voorkant
8. Kettingdeksel	21. Vergrendelhaak	34. Slijtgrensmarkering
9. Zeskantbout	22. Zeskantbouten	35. Koolborsteldop
10. Pijl	23. Meetplaat	36. Schroevendraaier
11. Tandwiel	24. Afgelegde afstand (D)	
12. Hendel (A)	25. Hendel (B)	
13. Bankschroefhendel	26. Hendel (C)	

## TECHNISCHE GEGEVENS

Model		7104L
Capaciteiten	Max. gat lengte (langsrichting)	130 mm
	Max. gat diepte	155 mm
Breedte van toepasbaar werkstuk		80 mm – 308 mm
Kettingsnelheid		300 m/min
Afmetingen (L × B × H)		512 mm × 298 mm × 513 mm
Netto gewicht		17,8 - 18,2 kg
Veiligheidsklasse		Klasse I

- Als gevolg van ons doorlopende onderzoeks- en ontwikkelingsprogramma, zijn de technische gegevens van dit gereedschap onderhevig aan veranderingen zonder voorafgaande kennisgeving.
- De technische gegevens kunnen van land tot land verschillen.
- Het gewicht kan verschillen afhankelijk van het/de hulpstuk(ken). De lichtste en zwaarste combinatie, volgens EPTA-Procedure 01/2014, worden vermeld in de tabel.

### **Gebruiksdoelstellingen** ENE062-1

Het gereedschap is bedoeld voor het frezen in hout.

### **Voeding** ENF001-1

Het gereedschap mag uitsluitend worden aangesloten op een voeding met dezelfde spanning als aangegeven op het identificatieplaatje en werkt alleen op enkele-fase wisselstroom. Dit gereedschap moet tijdens gebruik zijn geaard om de gebruiker te beschermen tegen elektrische schokken. Gebruik uitsluitend verlengsnoeren met drie draden die zijn voorzien van geaarde stekkers en geaarde stopcontacten waarin de stekker van het gereedschap past.

## Algemene veiligheidsaankondigingen voor elektrisch gereedschap

GEA010-2

**⚠ WAARSCHUWING:** Lees alle veiligheidsaankondigingen, aanwijzingen, afbeeldingen en technische gegevens behorend bij dit elektrische gereedschap aandachtig door. Als u niet alle onderstaande aanwijzingen naleeft, kan dat resulteren in brand, elektrische schokken en/of ernstig letsel.

## Bewaar alle waarschuwingen en instructies om in de toekomst te kunnen raadplegen.

De term "elektrisch gereedschap" in de veiligheidsvoorschriften duidt op gereedschappen die op stroom van het lichtnet werken (met snoer) of gereedschappen met een accu (snoerloos).

## AANVULLENDE VEILIGHEIDSVORSCHRIFTEN

ENB093-1

1. **Gebruik dit gereedschap uitsluitend om gaten in hout te maken.**
2. **Dit gereedschap is voor het maken van gaten in hout met een vlak oppervlak. Gebruik het nooit voor het maken van gaten in rond hout.**
3. **Draag gehoorbescherming.**
4. **Hanteer de freesketting voorzichtig. Hij is erg scherp.**
5. **Plaats het werkstuk op houten blokken of korte palen om te voorkomen dat de freesketting de grond, voer, enz., raakt waardoor deze beschadigd raakt op het moment dat het gat doorbreekt.**

6. **Controleer de freesketting voorzichtig op barsten of beschadigingen voordat u deze bedient. Vervang een gebarsten of beschadigde freesketting onmiddellijk.**
7. **Bevestig het gereedschap zorgvuldig op het werkstuk.**
8. **Controleer voor gebruik op spijkers en vreemde voorwerpen in het werkstuk, en verwijder deze indien aanwezig.**
9. **Bedien het gereedschap niet terwijl de veiligheidsafdekking geopend is.**
10. **Draag geen handschoenen tijdens het gebruik.**
11. **Houd uw handen uit de buurt van bewegende delen.**
12. **Verwijder na gebruik het gereedschap vanaf het werkstuk om te voorkomen dat deze ervan valt en mogelijk letsel veroorzaakt.**
13. **Behandel het snoer niet ruw. Ruk niet aan het snoer om zo de stekker uit het stopcontact te trekken. Houd het netsnoer uit de buurt van hitte, olie, water en scherpe randen.**
14. **GOEDE AARDING Dit gereedschap moet tijdens gebruik zijn geaard om de gebruiker te beschermen tegen elektrische schokken.**
15. **VERLENGSNOEREN Gebruik uitsluitend verlengsnoeren met drie draden die zijn voorzien van geaarde stekkers en geaarde stopcontacten waarin de stekker van het gereedschap past. Vervang of repareer een beschadigd snoer onmiddellijk.**

## BEWAAR DEZE VOORSCHRIFTEN.

## BESCHRIJVING VAN DE FUNCTIES

### LET OP:

- Controleer altijd of het gereedschap is uitgeschakeld en de stekker uit het stopcontact is getrokken alvorens de functies van het gereedschap te controleren of af te stellen.

### Freesdiepte instellen (zie afb. 1)

Draai de vleugelmoer van de aanslag los. Verplaats de aanslag naar de gewenste stand en draai de vleugelmoer vast. Na het aandraaien moet de punt van de vleugelmoeren het platte oppervlak van de aanslagstang raken. De cijfers op de aanslagstang zijn in centimeters (3 mm per stap).

### Aan/uit-schakelaar (zie afb. 2)

#### LET OP:

- Controleer altijd, voordat u de stekker in het stopcontact steekt, of de schakelaar op de juiste manier schakelt en weer terugkeert naar de uit-stand nadat deze is losgelaten.

Om te voorkomen dat de aan/uit-schakelaar per ongeluk wordt bediend, is een uit-vergrendelknop aangebracht. Om het gereedschap te starten, drukt u op de uit-vergrendelknop en knijpt u de aan/uit-schakelaar in. Laat de schakelaar los om het gereedschap te stoppen.

## ONDERDELEN AANBRENGEN/ VERWIJDEREN

### LET OP:

- Controleer altijd of het gereedschap is uitgeschakeld en de stekker uit het stopcontact is getrokken alvorens enige werk aan het gereedschap uit te voeren.

### De freesketting aanbrengen en verwijderen (zie afb. 3)

#### WAARSCHUWING:

- Zorg er altijd voor dat het gereedschap is uitgeschakeld en de stekker uit het stopcontact is getrokken, voordat u de freesketting monteert of verwijdert.
- Sluit altijd het kettingdeksel nadat u de freesketting hebt gemonteerd, verwijderd of afgesteld.

Als u de freesketting wilt monteren, opent u eerst het kettingdeksel. Draai de zeskantbout los waarmee de kettingstang en de stelschroef zijn vastgezet. Zorg ervoor dat de zaagsnede van de kettingfrees in de richting van de pijl op het gereedschap (draairichting) liggen. Leg de freesketting eerst om het tandwiel en daarna rond de kettingstang. Draai de zeskantbout losjes aan. (zie afb. 4)

Draai de stelschroef om de kettingspanning te verhogen. Trek licht aan het midden van de freesketting. Als de speling tussen de kettingstang en de freesketting ongeveer 5 of 6 mm is, is de spanning van de freesketting voldoende. (zie afb. 5)

Nadat u de kettingspanning hebt ingesteld, draait u de zeskantbout strak aan om de kettingstang vast te zetten. Draai vervolgens de stelschroef iets aan. Sluit het kettingdeksel.

Als u de freesketting wilt verwijderen, volgt u de montageprocedure in omgekeerde volgorde.

### Het gereedschap vastzetten op het werkstuk (zie afb. 6 en 7)

Draai het bankschroefhendel los en beweeg de achterbankschroef naar achteren. Plaats het gereedschap op het werkstuk zodanig dat de voorbankschroef contact maakt met de zijkant van het werkstuk. Beweeg de achterbankschroef naar voren totdat de afstand tussen de achterbankschroef en het werkstuk 3 tot 8 mm is. Draai het bankschroefhendel vast om de achterbankschroef vast te zetten. Beweeg het gereedschap zodat de "0" op de aanwijsplaat is uitgelijnd met de freeslijn (A). Druk de hendel (A) helemaal omlaag om het werkstuk vast te klemmen.

Draai het instelhandvat totdat de voorrand van de gele aanwijzer is uitgelijnd met de freeslijn (B). (zie afb. 8)

## BEDIENING

Pak de handgrepen aan beide zijanten stevig beet. Schakel het gereedschap in en wacht tot de freesketting volledig op snelheid is gekomen. Ontgrendel daarna de vergrendelhaak en breng het gereedschap omlaag zodat de kop in het werkstuk freest. Oefen geen buitensporige druk uit op het gereedschap. Hierdoor wordt niet alleen minder efficiënt gewerkt, maar wordt tevens een gevaarlijke reactiekracht opgeroepen. Werk langzaam

aan het begin van het frezen, op het moment dat het gat doorbreekt, en bij het frezen in een knoest in het werkstuk. Na het frezen, brengt u langzaam de kop van het gereedschap omhoog totdat u de kop weer met de vergrendelhaak kunt vastzetten. Schakel tenslotte het gereedschap uit. Hef de hendel (A) op en haal het gereedschap van het werkstuk af. (zie afb. 9)

#### WAARSCHUWING:

- Vergrendel de kop van het gereedschap altijd met de vergrendelhaak wanneer het gereedschap niet wordt gebruikt.
- Probeer nooit in een vervormd of getordeerd werkstuk te frezen waarop het gereedschap niet stevig is bevestigd.

## De aanwijzer en aanwijsplaat afstellen

De gele aanwijzer en aanwijsplaat zijn in de fabriek afgesteld op de standaard geleverde freesketting van 16,5 mm. Als om een of andere reden de uitlijning niet goed is, of u een andere maat freesketting gebruikt, draait u de schroeven los en stelt u de gele aanwijzer en aanwijsplaat af.

## Gat vergroten

### 1. Vergroten van de breedte (dwarsrichting) (zie afb. 10)

Het gat kan in de dwarsrichting worden vergroot door de meetplaat af te stellen. Maximale vergroting van de breedte van het gat is 15 mm.

#### Voorbeeld:

Wanneer u een gat van 25 mm breed wilt frezen met een freesketting van 16,5 mm, gaat u als volgt te werk:

- Duw de hendel (B) van u af. Draai de zeskantbouten los waarmee de meetplaat is vastgezet.
- Stel de meetplaat af zodat de afgelegde afstand (D) 8,5 mm is:  $25 \text{ mm} - 16,5 \text{ mm} = 8,5 \text{ mm}$ . Draai de zeskantbouten vast om de meetplaat vast te zetten.
- Frees het eerste gat met de hendel (B) van u af geduwd. Trek vervolgens de hendel (B) naar u toe en frees nogmaals om het gat te vergroten.

#### OPMERKING:

- De meetplaat is in de fabriek afgesteld op het frezen van gaten met een breedte van 30 mm.

### 2. Vergroten van de lengte (langsrichting)

De lengte van het gat kan worden bepaald in drie stappen, zoals afgebeeld in onderstaande tabel.

Stand van de freesketting	Lengte van te frezen gat
Oorspronkelijke stand	52,5 mm
Stelstand 1	52,5 mm – 105 mm
Stelstand 2	77,5 mm – 130 mm

#### OPMERKING:

- Afhankelijk van de kettingspanning kan het gefreesde gat iets langer zijn dan ingesteld.
- De zeskantbouten voor het afstellen zijn in de fabriek afgesteld op het frezen van gaten met een lengte van 90 mm in stel stand 1, en 120 mm in stel stand 2.

Duw de rechterhandgreep omlaag terwijl u de rechterhandgreep omhoog trekt. Zorg ervoor dat de zeskantbout voor het afstellen goed op zijn plaats valt.

#### (zie afb. 11)

Draai de zeskantmoer los waarmee de zeskantbout voor afstellen is vastgezet. Draai de zeskantbout voor afstellen totdat de freesketting de gewenste stand heeft bereikt, en draai daarna de zeskantbout vast. (zie afb. 12)

#### WAARSCHUWING:

- Wanneer u druk uitoefent om de zeskantbout voor afstellen of de zeskantmoer te draaien, let u erop dat de zeskantbout voor afstellen niet uit de ingestelde stand glijdt.

Om de freesketting terug te brengen in de loodrechte (oorspronkelijke) stand, trekt u de hendel (C) naar u toe terwijl u de rechterhandgreep omlaag duwt en de linkerhandgreep licht omhoog trekt, en zo de freesketting terugbrengt in de oorspronkelijke stand.

Als u een gat freest, gebruikt u eerst de loodsrechte stand, daarna stelstand 1 en tenslotte stelstand 2. Zorg ervoor dat de kop van het gereedschap altijd veilig is vergrendeld met de vergrendelhaak wanneer u de stand van de freesketting verandert. (zie afb. 13)

Wanneer u een gat zowel in de dwarsrichting als in de langsrichting vergroot, freest u de gaten in de volgorde aangegeven met nr. (1) t/m nr. (6). Zo kunt u het gat gemakkelijker en efficiënt vergroten. (zie afb. 14)

#### WAARSCHUWING:

- Probeer nooit een gat te vergroten wanneer de freesketting nog in het gat zit. Hierdoor zal een instabiele en gevaarlijke situatie ontstaan.
- Verander nooit de hoek van de freesketting tijdens het frezen van het eerste gat omdat hierdoor een gevaarlijke reactiekracht wordt opgeroepen. Zorg er altijd voor dat de freesketting in de loodrechte stand staat bij het frezen van het eerste gat.

Met dit gereedschap kunt u overlappaden van maximaal 130 mm frezen. (zie afb. 15)

#### OPMERKING:

- U kunt overlappaden alleen frezen op de voorkant van het werkstuk (de kant die van u af ligt).

## ONDERHOUD

### LET OP:

- Zorg er altijd voor dat de machine is uitgeschakeld en de stekker uit het stopcontact is getrokken, voordat u een inspectie of onderhoud uitvoert.
- Gebruik nooit benzine, wasbenzine, thinner, alcohol, enz. Dit kan leiden tot verkleuren, vervormen of barsten.

## De koolborstels vervangen (zie afb. 16)

Verwijder en controleer de koolborstels regelmatig. Vervang deze wanneer ze tot aan de slijtgrensmarkering zijn afgesleten. Houd de koolborstels schoon en zorg ervoor dat ze vrij kunnen bewegen in de houders. Beide koolborstels dienen tegelijkertijd te worden vervangen. Gebruik alleen identieke koolborstels. Gebruik een schroevendraaier om de koolborsteldoppen te verwijderen. Haal de versleten koolborstels eruit, plaats de nieuwe erin, en zet de koolborsteldoppen goed vast. (zie afb. 17)

## Smeren

Verwijder na gebruik vuil, houtsnippers en vreemde stoffen vanaf het gereedschap. Smeer daarna de bewegende delen (met name de freesketting) en de contactdelen.

Om de VEILIGHEID en BETROUWBAARHEID van het gereedschap te handhaven, dienen alle reparaties, onderhoud en afstellingen te worden uitgevoerd door een erkend Makita-servicecentrum, en altijd met gebruikmaking van originele Makita-ervangingsonderdelen.

praktijkomstandigheden (rekening houdend met alle fasen van de bedrijfscyclus, zoals de tijdsduur gedurende welke het gereedschap is uitgeschakeld en stationair draait, naast de ingeschakelde tijdsduur).

### EU-verklaring van conformiteit

#### *Alleen voor Europese landen*

De EU-verklaring van conformiteit is opgenomen als Bijlage A in deze instructiehandleiding.

## VERKRIJGBARE ACCESSOIRES

### LET OP:

- Deze accessoires of hulpstukken worden aanbevolen voor gebruik met het Makita-gereedschap dat in deze gebruiksaanwijzing wordt beschreven. Het gebruik van andere accessoires of hulpstukken kan gevaar voor persoonlijk letsel opleveren. Gebruik de accessoires of hulpstukken uitsluitend voor de aangegeven gebruiksdoeleinden.

Mocht u meer informatie willen hebben over deze accessoires, dan kunt u contact opnemen met uw plaatselijke Makita-servicecentrum.

- Freesketting
- Kettingstang voor 30 mm
- Tandwiel 4 voor 30 mm
- Smeerolie (100 cc)

### OPMERKING:

- Sommige items op de lijst kunnen zijn inbegrepen in de doos van het gereedschap als standaard toebehoren. Zij kunnen van land tot land verschillen.

### Geluid ENG905-1

De typische, A-gewogen geluidsniveaus zijn gemeten volgens EN62841-1:

Geluidsdruk niveau ( $L_{pA}$ ): 90 dB (A)

Geluidsvermogen niveau ( $L_{WA}$ ): 103 dB (A)

Onzekerheid (K): 3 dB (A)

#### **Draag gehoorbescherming.**

### Trillingen ENG900-1

De totale trillingswaarde (triaxiale vectorsom) zoals vastgesteld volgens EN62841-1:

Trillingsemisatie ( $a_h$ ): 2,5 m/s<sup>2</sup> of minder

Onzekerheid (K): 1,5 m/s<sup>2</sup>

ENG901-1

- De opgegeven trillingsemisatie waarde is gemeten volgens de standaardtestmethode en kan worden gebruikt om dit gereedschap te vergelijken met andere gereedschappen.
- De opgegeven trillingsemisatie waarde kan ook worden gebruikt voor een beoordeling vooraf van de blootstelling.

### WAARSCHUWING:

- De trillingsemisatie tijdens het gebruik van het elektrisch gereedschap in de praktijk kan verschillen van de opgegeven trillingsemisatie waarde afhankelijk van de manier waarop het gereedschap wordt gebruikt.
- Zorg ervoor dat veiligheidsmaatregelen worden getroffen ter bescherming van de operator die zijn gebaseerd op een schatting van de blootstelling onder

# ESPAÑOL (Instrucciones originales)

## Explicación de los dibujos

- |                           |                                     |   |
|---------------------------|-------------------------------------|---|
| 1. Tornillo de mariposa   | 14. Sujeción trasera                | 27. Ajuste del tornillo hexagonal para la posición establecida nº 1 |
| 2. Barra de tope          | 15. Manivela de ajuste              | 28. Ajuste del tornillo hexagonal para la posición establecida nº 2 |
| 3. Tope                   | 16. Sujeción delantera              | 29. Posición original   |
| 4. Botón de bloqueo       | 17. Placa indicadora                | 30. Posición establecida nº 1                                       |
| 5. Interruptor disparador | 18. Placa de indicación             | 31. Posición establecida nº 2                                       |
| 6. Tornillo de ajuste     | 19. Línea de corte (A)              | 32. Regla   |
| 7. Barra de la cadena     | 20. Línea de corte (B)              | 33. Torno frontal   |
| 8. Cubierta de la cadena  | 21. Gancho                          | 34. Marca de límite   |
| 9. Tornillo hexagonal     | 22. Tornillos hexagonales           | 35. Tapa del portaescobillas  |
| 10. Flecha                | 23. Placa de calibración            | 36. Destornillador  |
| 11. Rueda dentada         | 24. Distancia de desplazamiento (D) |   |
| 12. Palanca (A)           | 25. Palanca (B)                     |   |
| 13. Palanca de sujeción   | 26. Palanca (C)                     |   |

## ESPECIFICACIONES

Modelo		7104L
Capacidades	Longitud máxima del agujero (Longitudinal)	130 mm
	Profundidad máxima del agujero	155 mm
Ancho de la pieza de trabajo aplicable		80 mm – 308 mm
Velocidad de la cadena		300 m/min
Dimensiones (Largo x Ancho x Alto)		512 mm x 298 mm x 513 mm
Peso neto		17,8 - 18,2 kg
Clase de seguridad		Clase I

- Debido a nuestro programa continuo de investigación y desarrollo, las especificaciones aquí descritas están sujetas a cambios sin previo aviso.
- Las especificaciones pueden ser diferentes de un país a otro.
- El peso puede diferir en función de los accesorios. En la tabla se muestran la combinación más ligera y la más pesada, de acuerdo con el Procedimiento EPTA 01/2014.

**Uso previsto** ENE062-1  
La herramienta está pensada para realizar escopleaduras en madera.

**Alimentación** ENF001-1  
La herramienta ha de conectarse solamente a una fuente de alimentación de la misma tensión que la indicada en la placa de características, y sólo puede funcionar con corriente alterna monofásica. Esta herramienta debe estar conectada a tierra (a masa) durante su uso para proteger al operario de descargas eléctricas. Utilice sólo cables de extensión de tres hilos con enchufes con toma a tierra con tres clavijas y receptáculos para tres clavijas que acepten el enchufe de la herramienta.

## Advertencias de seguridad para herramientas eléctricas en general

GEA010-2

**⚠ ADVERTENCIA:** Lea todas las advertencias de seguridad, instrucciones, ilustraciones y especificaciones provistas con esta herramienta eléctrica. Si no sigue todas las instrucciones indicadas

abajo podrá resultar en una descarga eléctrica, un incendio y/o heridas graves.

## Guarde todas las advertencias e instrucciones para futuras referencias.

El término "herramienta eléctrica" en las advertencias se refiere a su herramienta eléctrica de funcionamiento con conexión a la red eléctrica (con cable) o herramienta eléctrica de funcionamiento a batería (sin cable).

## NORMAS DE SEGURIDAD ADICIONALES

ENB093-1

1. Utilice esta herramienta solamente para cortar agujeros en madera.
2. Esta herramienta está pensada para cortar agujeros en madera de superficie plana. Nunca la utilice para cortar agujeros en un tronco.
3. Utilice protectores para los oídos.

4. **Maneje la cadena de corte con cuidado, está muy afilada.**
5. **Coloque la pieza de trabajo sobre bloques de madera o tabloncillos cortos para evitar que la cadena de corte golpee el suelo, etc., y que se dañe en el momento de completar el agujero.**
6. **Compruebe si la cadena de corte presenta fisuras o está dañada antes de su uso. Sustituya la cadena de corte dañada o con fisuras inmediatamente.**
7. **Asegure la herramienta a la pieza de trabajo firmemente.**
8. **Inspeccione la pieza de trabajo antes de la operación para ver si hay clavos u objetos extraños y retírelos.**
9. **No utilice la herramienta con la cubierta de seguridad abierta.**
10. **No utilice guantes durante la operación.**
11. **Mantenga las manos alejadas de las piezas móviles.**
12. **Retire la herramienta de la pieza de trabajo cuando haya completado la operación para evitar que caiga y pueda provocar lesiones.**
13. **No maltrate el cable. Nunca tire del cable para desconectarlo del receptáculo. Mantenga el cable alejado del calor, aceite, agua y bordes afilados.**
14. **CONEXIÓN A TIERRA CORRECTA. Esta herramienta debe estar conectada a tierra (a masa) durante su uso para proteger al operario de descargas eléctricas.**
15. **CABLES DE EXTENSIÓN. Utilice sólo cables de extensión de tres hilos con enchufes con toma a tierra con tres clavijas y receptáculos para tres clavijas que acepten el enchufe de la herramienta. Sustituya o repare inmediatamente los cables dañados o gastados.**

## GUARDE ESTAS INSTRUCCIONES.

## DESCRIPCIÓN DEL FUNCIONAMIENTO

### PRECAUCIÓN:

- Asegúrese siempre de que la herramienta esté apagada y desenchufada antes de intentar realizar cualquier tipo de ajuste o comprobación en ella.

### Ajuste de la profundidad de corte (Fig. 1)

Afloje el tornillo de mariposa del tope. Mueva el tope a la posición deseada y apriete el tornillo de mariposa. Cuando esté apretado, la punta del tornillo de mariposa debe entrar en contacto con la superficie plana de la barra del tope. Los números indicados en la barra del tope son unidades de cm (3 mm por graduación).

### Funcionamiento del interruptor (Fig. 2)

#### PRECAUCIÓN:

- Antes de enchufar la herramienta, asegúrese siempre de que el disparador del interruptor funcione como es debido y de que vuelva a la posición "OFF" (apagado) al soltarlo.

Para evitar que el disparador del interruptor se accione accidentalmente se proporciona un botón de bloqueo. Para poner en marcha la herramienta, presione el botón de bloqueo y tire del disparador del interruptor. Suelte el disparador del interruptor para detener la herramienta.

## MONTAJE

### PRECAUCIÓN:

- Asegúrese siempre de que la herramienta esté apagada y desenchufada antes de intentar realizar cualquier trabajo en ella.

### Instalación o extracción de la cadena de corte (Fig. 3)

#### ADVERTENCIA:

- Asegúrese siempre de que la herramienta esté apagada y desenchufada antes de instalar o retirar la cadena de corte.
- Cierre siempre la cubierta de la cadena después de instalar, retirar o ajustar la cadena de corte.

Para montar la cadena de corte, abra la cubierta de la cadena. Afloje el tornillo hexagonal que sujeta la barra de la cadena y el tornillo de ajuste.

Oriento los eslabones de corte en la dirección de la flecha de la herramienta (dirección de rotación). Monte la cadena de corte sobre la rueda dentada en primer lugar y después en la barra de la cadena. Apriete parcialmente el tornillo hexagonal. (Fig. 4)

Gire el tornillo de ajuste para tensar la cadena de corte. Tire levemente de la mitad de la cadena de corte. Cuando haya un espacio libre de aproximadamente 5 ó 6 mm entre la barra de la cadena y la cadena de corte, la tensión de la cadena de corte es la adecuada. (Fig. 5)

Tras tensar la cadena, apriete el tornillo hexagonal firmemente para fijar la barra de la cadena. Adicionalmente, apriete ligeramente el tornillo de ajuste. Cierre la cubierta de la cadena.

Para extraer la cadena de corte, siga el procedimiento de instalación a la inversa.

### Fijación de la herramienta a una pieza de trabajo (Fig. 6 y 7)

Afloje la palanca de sujeción y mueva hacia atrás la sujeción trasera. Coloque la herramienta sobre la pieza de trabajo de forma que la sujeción frontal entre en contacto con el lateral de la pieza de trabajo. Mueva hacia adelante la sujeción trasera hasta que la distancia entre la sujeción trasera y la pieza de trabajo sea de 3 – 8 mm.

Apriete la palanca de sujeción para fijar la sujeción trasera. Mueva la herramienta de forma que la indicación "0" de la placa de indicación esté alineada con la línea de corte (A). Empuje la palanca (A) hacia abajo totalmente para fijar la pieza de trabajo.

Gire la manivela de ajuste hasta que el extremo frontal de la placa indicadora amarilla esté alineado con la línea de corte (B). (Fig. 8)

### MANEJO (Fig. 9)

Sujete firmemente las empuñaduras de los dos lados. Encienda la herramienta y espere a que la cadena de corte alcance la velocidad completa. A continuación

suelte el gancho y baje la cabeza de la herramienta para realizar el corte en la pieza de trabajo. No aplique una presión excesiva sobre la herramienta. No sólo reducirá la eficacia del trabajo sino que también causará una reacción peligrosa. Presione lentamente al principio de la operación de corte, en el momento de finalizar el corte y cuando corte un nudo en la pieza de trabajo. Tras realizar el corte, levante suavemente la cabeza de la herramienta hasta que pueda volver a engancharla en el gancho. A continuación, apague la herramienta. Levante la palanca (A) y extraiga la herramienta de la pieza de trabajo.

#### ADVERTENCIA:

- Enganche siempre la cabeza de la herramienta en el gancho cuando no utilice la herramienta.
- Nunca intente cortar una pieza de trabajo retorcida o deformada a la que la herramienta no esté firmemente sujeta.

## Ajuste de la placa indicadora y de la placa de indicación

La placa indicadora amarilla y la placa de indicación se ajustan en fábrica para la cadena de corte estándar de 16,5 mm que se equipa. Si, por alguna razón, se pierde la alineación o si utiliza una cadena de corte de otro tamaño, afloje los tornillos y ajuste la placa indicadora amarilla y la placa de indicación.

## Ampliar el agujero

### 1. Ampliación transversal (ancho) (Fig. 10)

Un agujero se puede ampliar transversalmente ajustando la placa de calibración. La expansión máxima del ancho del agujero es de 15 mm.

#### Ejemplo:

Cuando corte un agujero de 25 mm de ancho mediante una cadena de corte de 16,5 mm, proceda del siguiente modo:

- Empuje la palanca (B) lejos de usted. Afloje los tornillos hexagonales que fijan la placa de calibración.
- Ajuste la placa de calibración para que la distancia de desplazamiento (D) sea 8,5 mm; es decir,  $25 \text{ mm} - 16,5 \text{ mm} = 8,5 \text{ mm}$ . Apriete los tornillos hexagonales para fijar la placa de calibración.
- Corte el primer agujero empujando la palanca (B) lejos de usted. A continuación tire de la palanca (B) hacia usted y vuelva a cortar para ampliar el agujero.

#### NOTA:

- La placa de calibración se ajusta en fábrica para cortar un agujero de 30 mm de ancho.

### 2. Ampliación longitudinal (largo)

La longitud del agujero se puede determinar en tres pasos que se muestran en la tabla siguiente.

Posición de la cadena de corte	Longitud del agujero que se desea cortar
Posición original	52,5 mm
Posición establecida nº 1	52,5 mm – 105 mm
Posición establecida nº 2	77,5 mm – 130 mm

#### NOTA:

- Se puede cortar un agujero un poco más largo que el predeterminado dependiendo de la tensión de la cadena de corte.
- Los tornillos hexagonales de ajuste vienen ajustados de fábrica para cortar agujeros de 90 mm de longitud en la posición establecida nº 1 y de 120 mm de largo en la posición establecida nº 2.

Empuje hacia abajo la empuñadura derecha a la vez que levanta la empuñadura izquierda. Asegúrese de que el tornillo hexagonal de ajuste encaja firmemente. (Fig. 11) Afloje la tuerca hexagonal que fija el tornillo hexagonal de ajuste. Gire el tornillo hexagonal de ajuste hasta que la cadena de corte alcance la posición deseada y, a continuación, apriete la tuerca hexagonal. (Fig. 12)

#### ADVERTENCIA:

- Cuando ejerza presión para girar el tornillo hexagonal de ajuste o la tuerca hexagonal, tenga cuidado de no permitir que el tornillo hexagonal de ajuste se desplace de la posición establecida.

Para volver a colocar la cadena de corte en la posición perpendicular (original), tire de la palanca (C) hacia usted a la vez que presiona hacia abajo la empuñadura derecha y levanta ligeramente la empuñadura izquierda mientras mueve la cadena de corte a su posición original.

Cuando corte un agujero, primero use la posición perpendicular, después la posición establecida nº 1 y a continuación la posición establecida nº 2. Enganche siempre firmemente la cabeza de la herramienta en el gancho cuando cambie la posición de la cadena de corte. (Fig. 13)

Cuando amplíe un agujero transversal y longitudinalmente, corte los agujeros en el orden indicado desde el nº (1) a (6) como se muestra. De esta manera la ampliación del agujero es más sencilla y eficaz. (Fig. 14)

#### ADVERTENCIA:

- Nunca intente ampliar un agujero con la cadena de corte dentro del agujero. Esto provocaría un funcionamiento inestable y peligroso.
- Nunca coloque en un ángulo la cadena de corte cuando corte el primer agujero ya que se podía producir un rebote peligroso. Tenga siempre la cadena de corte en posición perpendicular cuando corte el primer agujero.

Se pueden cortar entalladuras de hasta 130 mm con esta herramienta. (Fig. 15)

#### NOTA:

- Las entalladuras sólo se pueden cortar en la parte frontal (lado alejado de usted) de la pieza de trabajo.

## MANTENIMIENTO

#### PRECAUCIÓN:

- Asegúrese siempre de que la herramienta esté apagada y desenchufada antes de intentar realizar cualquier trabajo de inspección o mantenimiento en ella.
- Nunca utilice gasolina, benceno, disolvente, alcohol o un producto similar. Se puede provocar una decoloración, una deformación o grietas.

## Sustitución de la escobillas de carbón (Fig. 16)

Extraiga y compruebe las escobillas de carbón regularmente. Sustitúyalas cuando estén gastadas hasta la marca de límite. Mantenga las escobillas de carbón limpias y de forma que entren libremente en los portaescobillas. Ambas escobillas de carbón deberán ser reemplazadas al mismo tiempo. Utilice únicamente escobillas de carbón idénticas.

Utilice un destornillador para extraer las tapas de los portaescobillas. Saque las escobillas de carbón desgastadas, inserte las nuevas y cierre las tapas de los portaescobillas. (Fig. 17)

## Lubricación

Después de cada uso, elimine la suciedad, astillas y cuerpos extraños adheridos a la herramienta. Engrase las partes móviles (especialmente la escobilla de corte) y las partes de contacto.

Para conservar la SEGURIDAD y la FIABILIDAD del producto, los trabajos de reparación y otros trabajos de mantenimiento y ajuste deberán ser realizados en centros de servicio autorizados de Makita, utilizando siempre repuestos Makita.

## ACCESORIOS OPCIONALES

### ⚠ PRECAUCIÓN:

- Se recomienda el uso de estos accesorios o complementos con la herramienta Makita especificada en este manual. El uso de otros accesorios o complementos puede conllevar el riesgo de ocasionar daños corporales. Utilice los accesorios o complementos solamente para su fin establecido.

Si necesita cualquier ayuda para obtener más información relativa a estos accesorios, pregunte a su centro de servicio Makita local.

- Cadena de corte
- Barra de la cadena para 30 mm
- Rueda dentada 4 para 30 mm
- Suministro de aceite (100 cc)

### NOTA:

- Algunos elementos de la lista se pueden incluir en el paquete de la herramienta como accesorios estándar. Pueden ser diferentes de un país a otro.

### Ruido ENG905-1

Niveles típicos de ruido ponderado A determinados conforme a EN62841-1:

Nivel de presión de sonido ( $L_{pA}$ ): 90 dB (A)

Nivel de potencia de sonido ( $L_{WA}$ ): 103 dB (A)

Incertidumbre (K): 3 dB (A)

**Utilice protección para los oídos.**

### Vibración ENG900-1

Valor total de la vibración (suma de vectores triaxiales) determinada según el estándar EN62841-1:

Emisión de vibraciones ( $a_h$ ): 2,5 m/s<sup>2</sup> o menos

Incertidumbre (K): 1,5 m/s<sup>2</sup>

ENG901-1

- El valor de emisión de vibraciones se ha medido de acuerdo con el método de prueba estándar y se puede utilizar para comparar herramientas.

- El valor de emisión de vibraciones declarado también se puede usar en una evaluación preliminar de la exposición.

### ⚠ ADVERTENCIA:

- La emisión de vibraciones durante el uso de la herramienta eléctrica puede diferir del valor de emisiones declarado, dependiendo de las formas en que se utiliza la herramienta.
- Asegúrese de identificar las mediciones correctas para proteger al operario, que se basan en una estimación de la exposición en condiciones de uso reales (teniendo en cuenta todas las partes del ciclo de operaciones, como los momentos en los que la herramienta está apagada y cuando funciona al ralentí además del tiempo en que está activado el interruptor).

### Declaración de conformidad de la CE

#### Sólo para países europeos

La Declaración de conformidad de la CE se incluye como Anexo A en este manual de instrucciones.

# PORTUGUÊS (Instruções de origem)

## Explicação da vista geral

- |                          |                           |   |
|--------------------------|---------------------------|---|
| 1. Parafuso de orelhas   | 14. Torno traseiro        | 27. Parafuso sextavado de regulação para a posição definida N.º 1 |
| 2. Haste do batente      | 15. Manípulo de regulação | 28. Parafuso sextavado de regulação para a posição definida N.º 2 |
| 3. Batente               | 16. Torno dianteiro       | 29. Posição original  |
| 4. Botão de bloqueio     | 17. Chapa indicadora      | 30. Posição definida N.º 1  |
| 5. Gatilho               | 18. Chapa de indicação    | 31. Posição definida N.º 1  |
| 6. Parafuso de regulação | 19. Linha de corte (A)    | 32. Regra   |
| 7. Barra da lâmina       | 20. Linha de corte (B)    | 33. Torno Dianteiro   |
| 8. Cobertura da lâmina   | 21. Gancho                | 34. Marca de limite   |
| 9. Parafuso sextavado    | 22. Parafusos sextavados  | 35. Tapa do suporte da escova                                     |
| 10. Seta                 | 23. Chapa de calibre      | 36. Chave de parafusos  |
| 11. Roda dentada         | 24. Curso (D)             |   |
| 12. Alavanca (A)         | 25. Alavanca (B)          |   |
| 13. Torno                | 26. Alavanca (C)          |   |

## ESPECIFICAÇÕES

Modelo		7104L
Capacidades	Comprimento máx. do orifício (Longitudinal)	130 mm
	Profundidade máx. do orifício	155 mm
Largura da peça de trabalho aplicável		80 mm – 308 mm
Velocidade da lâmina		300 m/min
Dimensões (C × L × A)		512 mm × 298 mm × 513 mm
Peso líquido		17,8 - 18,2 kg
Classe de segurança		Classe I

- Devido à pesquisa e desenvolvimento constantes, estas especificações estão sujeitas a alteração sem aviso prévio.
- Estas especificações podem diferir de país para país.
- O peso pode variar dependendo do(s) acessório(s). A combinação mais leve e a mais pesada, de acordo com o procedimento EPTA 01/2014, são apresentadas na tabela.

### Utilização a que se destina

ENE062-1

A ferramenta destina-se a cortar encaixes na madeira.

### Alimentação

ENF001-1

A ferramenta só deve ser ligada a uma fonte de alimentação de voltagem igual à indicada na placa de características e só funciona com alimentação CA monofásica. A ferramenta deve ser ligada à terra enquanto estiver a utilizada, para proteger o operador contra choques eléctricos. Utilize apenas cabos de extensão de três fios, com fichas de ligação à terra de três pernos e tomadas de três entradas que aceitem a ficha da ferramenta.

## Avisos gerais de segurança para ferramentas elétricas

GEA010-2

**⚠ AVISO: Leia todos os avisos de segurança, instruções, ilustrações e especificações fornecidos com esta ferramenta elétrica.** O não cumprimento de todas as instruções indicadas em baixo pode resultar em choque elétrico, incêndio e/ou ferimentos graves.

## Guarde todos os avisos e instruções para futuras referências.

O termo "ferramenta elétrica" nos avisos refere-se às ferramentas elétricas ligadas à corrente elétrica (com cabo) ou às ferramentas elétricas operadas por meio de bateria (sem cabo).

## REGRAS DE SEGURANÇA ADICIONAIS

ENB093-1

1. Utilize esta ferramenta apenas para cortar orifícios na madeira.
2. Esta ferramenta destina-se a cortar orifícios em superfícies niveladas de madeira. Nunca a utilize para cortar orifícios num tronco.
3. Use protecções para os ouvidos.
4. Manuseie com cuidado a lâmina, uma vez que é bastante afiada.
5. Coloque a peça de trabalho em blocos de madeira ou traves curtas, para evitar que a lâmina embata no chão, etc., danificando a lâmina aquando da perfuração.

6. Antes de utilizar a ferramenta, verifique cuidadosamente a lâmina para a existência de fissuras ou danos. Substitua imediatamente uma lâmina quebrada ou com fissuras.
7. Fixe bem a ferramenta na peça de trabalho.
8. Antes de utilizar a ferramenta, procure e remova pregos ou material estranho que se encontrem na peça de trabalho.
9. Não utilize a ferramenta com a cobertura de segurança aberta.
10. Não use luvas quando utilizar a ferramenta.
11. Afaste as mãos das peças em movimento.
12. Após utilizar a ferramenta, remova-a da peça de trabalho, para impedir que caia e possivelmente cause ferimentos.
13. Não manuseie incorrectamente o cabo. Nunca puxe pelo cabo para o desligar da tomada. Mantenha o cabo afastado do calor, água e extremidades afiadas.
14. **LIGAÇÃO ADEQUADA À TERRA** A ferramenta deve ser ligada à terra enquanto estiver a utilizada, para proteger o operador contra choques eléctricos.
15. **EXTENSÕES** Utilize apenas cabos de extensão de três fios, com fichas de ligação à terra de três pernos e tomadas de três entradas que aceitem a ficha da ferramenta. Substitua ou repare imediatamente um cabo danificado ou gasto.

## GUARDE ESTAS INSTRUÇÕES.

## DESCRIÇÃO DO FUNCIONAMENTO

### PRECAUÇÃO:

- Certifique-se sempre de que a ferramenta está desligada e com a ficha retirada da tomada de parede, antes de proceder a afinações ou verificar o respectivo funcionamento.

### Regular a profundidade de corte (Fig. 1)

Desaperte o parafuso de orelhas no batente. Mova o batente para a posição pretendida e aperte o parafuso de orelhas. Quando apertado, a ponta dos parafuso de orelhas deve estar em contacto com a superfície plana da haste do batente. Os números indicados na haste do batente estão em unidades de cm (3 mm por graduação).

### Ação do interruptor (Fig. 2)

#### PRECAUÇÃO:

- Antes de ligar a ferramenta, verifique sempre se o gatilho actua correctamente e se regressa à posição "OFF" quando o solta.

Para evitar que o gatilho seja acidentalmente puxado, é fornecido um botão de bloqueio. Para iniciar a ferramenta, prima o botão de bloqueio e puxe o gatilho. Solte o gatilho para parar.

## MONTAGEM

### PRECAUÇÃO:

- Antes efectuar qualquer trabalho na ferramenta, certifique-se sempre de que está desligada e de que a ficha está retirada da tomada de corrente.

### Instalar ou retirar a lâmina (Fig. 3)

#### AVISO:

- Certifique-se sempre de que a ferramenta está desligada e com a ficha retirada da tomada, antes de instalar ou remover a lâmina.
- Feche sempre a cobertura da lâmina após instalar, remover ou ajustar a lâmina.

Para instalar a lâmina, abra a tampa da lâmina. Desaperte o parafuso sextavado que fixa a barra da lâmina e o parafuso de regulação. Oriente as lâminas de corte na direcção da seta na ferramenta (direcção rotacional). Ligue a lâmina à respectiva roda dentada e, de seguida, à barra da lâmina. Semi-aperte o parafuso sextavado. (Fig. 4) Rode o parafuso de regulação para aumentar a tensão na lâmina. Puxe ligeiramente o meio da lâmina. Quando existir uma folga de cerca de 5 – 6 mm entre a barra da lâmina e a lâmina, a tensão na lâmina é adequada. (Fig. 5)

Após regular a tensão, aperte bem o parafuso sextavado para fixar a barra da lâmina. Além disso, aperte ligeiramente o parafuso de regulação. Feche a cobertura da lâmina.

Para retirar a lâmina, efectue a operação de instalação no sentido inverso.

### Fixar a ferramenta à peça de trabalho.

#### (Fig. 6 e 7)

Solte a alavanca do torno e mova o torno traseiro para trás. Coloque a ferramenta na peça de trabalho, de forma a que o torno dianteiro entre em contacto com a peça de trabalho. Mova o torno traseiro para a frente, até que a distância entre o torno traseiro e a peça de trabalho seja de 3 – 8 mm. Aperte a alavanca do torno para fixar o torno traseiro. Mova a ferramenta de forma a que o "0" na placa de indicação esteja alinhado com a linha de corte (A). Empurre a alavanca (A) totalmente para baixo para fixar a peça de trabalho.

Rode o manípulo de regulação até que a extremidade dianteira da chapa do indicador amarelo esteja alinhada com a linha de corte (B). (Fig. 8)

## FUNCIONAMENTO (Fig. 9)

Agarre bem as pegas em ambos os lados. Ligue a ferramenta e aguarde até que a lâmina atinja a velocidade total. De seguida, solte o gancho e baixe a cabeça da ferramenta para cortar na peça de trabalho. Não aplique pressão excessiva na ferramenta. Isto não só pode diminuir a eficiência de trabalho, mas igualmente provocar uma reacção perigosa. Introduza lentamente a ferramenta no início da operação de corte, aquando da perfuração e quando cortar um nó na peça de trabalho. Após cortar, levante com cuidado a cabeça da ferramenta, até que possa prender novamente a cabeça da ferramenta no gancho. De seguida, desligue a

ferramenta. Suba a alavanca (A) e remova a ferramenta da peça de trabalho.

#### AVISO:

- Prenda sempre a cabeça da ferramenta novamente no gancho, quando não estiver a trabalhar com a ferramenta.
- Nunca tente cortar uma peça de trabalho torta ou empenada, na qual a ferramenta não esteja bem presa.

## Regular a chapa indicadora e chapa de indicação

A chapa indicadora amarela e a chapa de indicação são ajustadas de fábrica para a lâmina de série de 16,5 mm. Se, por alguma razão, o alinhamento não estiver correcto, ou quando utilizar outra lâmina, desaperte os parafusos e regule a chapa indicadora amarela e a chapa de indicação.

## Orifício de alargamento

### 1. Alargamento transversal (largura) (Fig. 10)

Um orifício pode ser alargado transversalmente regulando a chapa de calibre. A expansão máxima do orifício é de 15 mm.

#### Exemplo:

Quando cortar um orifício com 25 mm de largura utilizando uma lâmina de 16,5 mm, proceda da seguinte forma:

- Empurre a alavanca (B) para longe de si. Desaperte os parafusos sextavados, fixando a chapa de calibre.
- Regule a chapa de calibre de forma a que o curso (P) seja de 8,5 mm; ou seja,  $25 \text{ mm} - 16,5 \text{ mm} = 8,5 \text{ mm}$ . Aperte os parafusos sextavados para fixar a chapa de calibre.
- Corte o primeiro orifício com a alavanca (B) afastado de si. De seguida, puxe a alavanca (B) na sua direcção e corte novamente para alargar o orifício.

#### NOTA:

- A chapa de calibre está ajustada de série para cortar um orifício com 30 mm de largura.

### 2. Alargamento longitudinal (comprimento)

O comprimento do orifício pode ser determinado em três passos apresentados na tabela em baixo.

Posição da lâmina	Comprimento do orifício a cortar
Posição original	52,5 mm
Posição definida N.º 1	52,5 mm – 105 mm
Posição definida N.º 1	77,5 mm – 130 mm

#### NOTA:

- Pode ser cortado um orifício ligeiramente mais comprido do que o predeterminado, consoante a tensão da lâmina.
- Os parafusos sextavados de regulação são ajustados na fábrica para cortar orifícios de 90 mm de comprimento na posição definida N.º 1 e 120 mm de comprimento na posição definida N.º 2.

Empurre a pega do lado direito enquanto levanta a pega do lado esquerdo. Certifique-se de que o parafuso sextavado de regulação encaixa correctamente. (Fig. 11) Desaperte a porca sextavada de fixação do parafuso sextavado de regulação. Rode o parafuso sextavado de regulação até que a lâmina atinja a posição pretendida e, de seguida, aperte a porca sextavada. (Fig. 12)

#### AVISO:

- Quando utilizar pressão para rodar o parafuso sextavado de regulação ou porca sextavada, tenha cuidado para não permitir que o parafuso sextavado saia da respectiva posição.

Coloque a lâmina novamente na posição perpendicular (original), puxe a alavanca (C) na sua direcção enquanto prime na pega direita e levanta ligeiramente a pega esquerda e mova a lâmina novamente para a posição original.

Quando cortar um orifício, utilize primeiro a posição perpendicular, de seguida a posição definida N.º 1 e, finalmente, a posição definida N.º 2. Coloque sempre o gancho da cabeça da ferramenta novamente no gancho quando mudar a posição da lâmina. (Fig. 13)

Quando alargar um orifício de forma transversal e longitudinal, corte os orifícios na ordem indicada de N.º (1) a (6), tal como apresentado. Isto facilita e torna mais eficiente o alargamento do orifício. (Fig. 14)

#### AVISO:

- Nunca tente alargar um orifício com a lâmina ainda dentro do orifício. Isto provocará um funcionamento instável e perigoso.
- Nunca incline a lâmina quando cortar o primeiro orifício, caso contrário poderá ocorrer um ressalto perigoso. Tenha sempre a lâmina na posição perpendicular, quando cortar o primeiro orifício.

Podem ser cortadas juntas sobrepostas até 130 mm com esta ferramenta. (Fig. 15)

#### NOTA:

- As juntas sobrepostas apenas podem ser cortadas pela frente (lado afastado de si) da peça de trabalho.

## MANUTENÇÃO

#### PRECAUÇÃO:

- Certifique-se sempre de que a ferramenta está desligada e com a ficha retirada antes de tentar fazer operações de inspecção ou de manutenção.
- Nunca utilize gasolina, benzina, diluente, álcool ou semelhante. Podem formar-se descolorações, deformações ou fissuras.

### Substituir as escovas de carvão (Fig. 16)

Remova e verifique regularmente as escovas de carvão. Substitua-as quando estiverem desgastadas até à marca limite. Mantenha as escovas de carbono limpas e soltas para poderem deslizar nos suportes. Substitua ambas as escovas de carvão ao mesmo tempo. Utilize exclusivamente escovas de carvão idênticas. Recorra a uma chave de fendas para retirar as tampas dos suportes de escovas. Retire as escovas de carvão usadas, coloque escovas novas e fixe as tampas dos suportes respectivos das escovas. (Fig. 17)

## Lubrificação

Após a utilização, remova a sujidade e materiais estranhos que existam na ferramenta. De seguida, lubrifique as peças em movimento (especialmente a lâmina) e as superfícies de contacto.

Para manter a SEGURANÇA e FIABILIDADE do produto, as reparações e as operações de manutenção ou ajuste devem ser executadas pelos centros de assistência autorizada da Makita, utilizando peças de substituição Makita.

## ACESSÓRIOS OPCIONAIS

### PRECAUÇÃO:

- Os seguintes acessórios ou extensões são os recomendados para utilizar com a ferramenta Makita especificada neste manual. A utilização de quaisquer outros acessórios poderá representar um risco de ferimento para as pessoas. Apenas utilize o acessório para o fim indicado.

Se precisar de informações adicionais relativas aos acessórios, contacte o centro local de assistência Makita.

- Lâmina
- Barra da lâmina para 30 mm
- Roda dentada 4 para 30 mm
- Fornecimento de óleo (100 cc)

### NOTA:

- Alguns itens na lista podem estar incluídos no pacote de ferramentas como acessórios de série. Podem diferir de país para país.

## Ruído

ENG905-1

Os níveis acústicos ponderados A típicos foram determinados segundo a EN62841-1:

Nível de pressão sonora ( $L_{pA}$ ): 90 dB (A)

Nível de potência sonora ( $L_{WA}$ ): 103 dB (A)

Incerteza (K): 3 dB (A)

**Use protecção para os ouvidos.**

## Vibração

ENG900-1

O valor total da vibração (soma triaxial de vectores) foi determinado segundo a EN62841-1:

Emissão de vibração ( $a_h$ ): 2,5 m/s<sup>2</sup> ou menos

Incerteza (K): 1,5 m/s<sup>2</sup>

ENG901-1

- O valor da emissão de vibração declarado foi medido de acordo com o método de teste padrão e pode ser utilizado para comparar uma ferramenta com outra.
- O valor da emissão de vibração declarado pode também ser utilizado numa avaliação preliminar de exposição.

### AVISO:

- A emissão de vibração durante a utilização real da ferramenta eléctrica pode ser diferente do valor de emissão declarado, dependendo da forma como a ferramenta é utilizada.
- Certifique-se de que identifica medidas de segurança, para proteger o operador, que são baseadas numa estimativa de exposição nas condições reais de utilização (tendo em conta todas as partes do ciclo de funcionamento, como as vezes que a ferramenta é desligada e quando está a trabalhar ao ralenti, além do tempo de utilização).

## Declaração de conformidade CE

### **Apenas para os países europeus**

A declaração de conformidade CE está incluída como Anexo A neste manual de instruções.

## DANSK (Originalvejledning)

### Forklaring til generel oversigt

- |                         |                           |   |
|-------------------------|---------------------------|---|
| 1. Vingebolt            | 14. Bagstopper            | 27. Justering af sekskantskrue til position nr. 1 |
| 2. Stoppestift          | 15. Indstillingshåndtag   | 28. Justering af sekskantskrue til position nr. 2 |
| 3. Stopper              | 16. Forstopper            | 29. Oprindelig position                           |
| 4. Låseknap             | 17. Indikatorplade        | 30. Position nr. 1                                |
| 5. Kontaktgreb          | 18. Indikationsplade      | 31. Position nr. 2                                |
| 6. Justeringskrue       | 19. Skærelinje (A)        | 32. Lineal  |
| 7. Kædesværd            | 20. Skærelinje (B)        | 33. Forstopper                                    |
| 8. Kædeskærm            | 21. Krog                  | 34. Slidgrænse                                    |
| 9. Sekskantskrue        | 22. Sekskantsruer         | 35. Kulholderdæksel                               |
| 10. Pil                 | 23. Måleplade             | 36. Skruetrækker                                  |
| 11. Kædehjul            | 24. Bevægelsesafstand (D) |   |
| 12. Håndtag (A)         | 25. Håndtag (B)           |   |
| 13. Tilspændingshåndtag | 26. Håndtag (C)           |   |

## SPECIFIKATIONER

Model		7104L
Kapaciteter	Maksimal hullængde (på langs)	130 mm
	Maksimal huldybde	155 mm
Bredde på anvendeligt arbejdsområde		80 mm – 308 mm
Kædehastighed		300 m/min
Størrelse (L × B × H)		512 mm × 298 mm × 513 mm
Nettovægt		17,8 - 18,2 kg
Sikkerhedsklasse		Klasse I

- På grund af vores løbende forsknings- og udviklingsprogram kan specifikationerne heri ændres uden forudgående varsel.
- Specifikationerne kan variere fra land til land.
- Vægten kan muligvis afvige afhængigt af tilbehøret. Den letteste og tungeste kombination, ifølge EPTA-procedure 01/2014, er vist i tabellen.

**Beregnet brug** ENE062-1  
Værktøjet er beregnet til udskæring af taphuller i træ.

**Strømforsyning** ENF001-1  
Værktøjet bør kun sluttes til en strømforsyning med den spænding, der er angivet på navnepladen, og det kan kun benyttes med enkeltfasnet vekselstrøm. Dette værktøj bør være jordforbundet, når det anvendes, for at beskytte operatøren mod elektrisk stød. Brug kun 3-polede forlængerledninger, hvor stikkene har tre jordforbundne stikben, og 3-polede stikdåser, som passer til værktøjets stik.

## Almindelige sikkerhedsregler for el-værktøj

GEA010-2

**⚠ ADVARSEL: Læs alle de sikkerhedsadvarsler, instruktioner, illustrationer og specifikationer, der følger med denne maskine.** Forsømmelse af at overholde alle nedenstående instruktioner kan medføre elektrisk stød, brand og/eller alvorlig personskade.

## Gem alle advarsler og instruktioner til fremtidig reference.

Ordet "el-værktøj" i advarselerne henviser til det netforsynede (netledning) el-værktøj eller batteriforsynede (akku) el-værktøj.

## YDERLIGERE SIKKERHEDSREGLER

ENB093-1

1. Dette værktøj må kun anvendes til at skære huller i træ.
2. Værktøjet er beregnet til at skære huller i træ med en plan overflade. Det må ikke anvendes til at skære huller i rundtømmer.
3. Bær høreværn.
4. Vær forsigtig ved håndtering af skærekæden. Den er meget skarp.
5. Placer arbejdsområdet på træbukke eller korte lægter, så skærekæden ikke rammer jorden, gulvet osv., når den trænger igennem emnet, da det vil beskadige skærekæden.

6. Efterse skærekæden omhyggeligt for revner eller beskadigelser, før den tages i brug. Revnede eller beskadigede skærekæder skal straks udskiftes.
7. Spænd værktøjet godt fast på arbejdsemnet.
8. Kontroller arbejdsemnet for søm eller fremmedlegemer, og fjern i givet fald disse, inden arbejdet påbegyndes.
9. Værktøjet må ikke betjenes med sikkerhedsskærmen åben.
10. Undlad at bære handsker under arbejdet.
11. Hold hænderne på afstand af bevægelige dele.
12. Fjern værktøjet fra arbejdsemnet, når det ikke anvendes, da værktøjet ellers kan falde ned og forårsage personskade.
13. Overbelast ikke netledningen. Hvis ikke i ledningen for at tage den ud fra stikkontakten. Udsæt ikke ledningen for varme, olie, vand eller skarpe kanter.
14. **KORREKT JORDFORBINDELSE** Dette værktøj bør være jordforbundet, når det anvendes, for at beskytte operatøren mod elektrisk stød.
15. **FORLÆNGERLEDNINGER.** Brug kun 3-polede forlængerledninger, hvor stikkene har tre stikben og er jordforbundne, og 3-polede stikdåser, som passer til værktøjets stik. Beskadigede eller slidte ledninger skal straks udskiftes eller repareres.

## GEM DISSE INSTRUKTIONER.

## FUNKTIONSBESKRIVELSE

### FORSIGTIG:

- Sørg altid for, at værktøjet er slukket, og at stikket er taget ud af stikkontakten, før De justerer værktøjet eller kontrollerer dets funktion.

### Justering af skæredybde (Fig. 1)

Løsn vingebolten på stopperen. Flyt stopperen til den ønskede position, og spænd vingebolten. Når vingebolten er strammet, skal boltens spids berøre den plane overflade på stoppestiften. De tal, der er vist på stoppestiften, er angivet i cm (3 mm pr. graduering).

### Betjening af kontakt (Fig. 2)

#### FORSIGTIG:

- Før værktøjet tilsluttes, skal De altid kontrollere, at kontaktgrebet reagerer korrekt og vender tilbage i "OFF"-stillingen, når De slipper det.

En låseknop forhindrer, at kontaktgrebet trækkes op ved et uheld. Værktøjet startes ved at trykke låseknappen ind og trække kontaktgrebet op. Slip kontaktgrebet for at stoppe.

## MONTERING

### FORSIGTIG:

- Sørg altid for, at værktøjet er slukket og taget ud af stikkontakten, før De udfører nogen form for arbejde på værktøjet.

## Montering og demontering af skærekæden (Fig. 3)

### ADVARSEL:

- Sørg altid for, at værktøjet er slukket, og at stikket er taget ud af stikkontakten, før De monterer eller demonterer skærekæden.
- Luk altid kædeskærmen efter montering, demontering eller justering af skærekæden.

Skærekæden monteres ved at åbne kædeskærmen. Løsn sekskantskruen, som holder kædesværdet og justeringsskruen fast.

Ret skærene i pilens retning på værktøjet (rotationsretning). Monter først skærekæden på kædehjul og dernæst på kædesværdet. Spænd sekskantskruen tilpas stram. (Fig. 4)

Drej justeringsskruen for at stramme skærekæden. Træk let op midt på skærekæden. Når der er en frigang på 5 - 6 mm mellem kædesværdet og skærekæden, er skærekæden tilpas stram. (Fig. 5)

Når stramheden er justeret, skal sekskantskruen spændes fast til for at holde kædesværdet fast. Efterspænd derefter justeringsskruen en smule. Luk kædeskærmen.

Følg fremgangsmåden til montering i omvendt rækkefølge for at demontere skærekæden.

## Fastgørelse af værktøjet på arbejdsemnet (Fig. 6 og 7)

Løsn tilspændingshåndtaget, og flyt bagstopperen bagud. Placer værktøjet på arbejdsemnet, så forstopperen har kontakt med siden af emnet. Flyt bagstopperen frem, indtil afstanden mellem bagstopperen og arbejdsemnet er 3 - 8 mm. Stram tilspændingsgrebet for at spænde bagstopperen fast. Flyt værktøjet, så tallet "0" på indikationspladen flugter med skærelinjen (A). Skub håndtaget (A) helt ned for at fastgøre arbejdsemnet. Drej indstillingshåndtaget, indtil forkanten af den gule indikatorplade flugter med skærelinjen (B). (Fig. 8)

## BETJENING

Hold godt fast i grebene på hver side. Tænd værktøjet, og vent, indtil skærekæden er oppe i fuld hastighed. Frigør derefter krogen, og sænk værktøjshovedet ned for at skære i arbejdsemnet. Tryk ikke for kraftigt på værktøjet. Dette kan ikke blot nedsætte værktøjets effektivitet, det vil også medføre en farlig reaktion. Skær langsomt, når De begynder på arbejdet, når værktøjet trænger igennem emnet, og når De skærer igennem en knast i emnet. Efter skæringen løftes værktøjshovedet forsigtigt, indtil De kan sætte værktøjshovedet fast på krogen igen. Sluk derefter værktøjet. Hæv håndtaget (A), og afmonter værktøjet fra arbejdsemnet. (Fig. 9)

### ADVARSEL:

- Sæt altid værktøjshovedet fast på krogen, når værktøjet ikke er i brug.
- Forsøg aldrig at skære i et vredet eller skævt arbejdsemne, som værktøjet ikke er forsvaret fastspændt til.

## Justering af indikatorplade og indikationsplade

Den gule indikatorplade og indikationsplade er fra fabrikken justeret til den 16,5 mm skærekæde, der som standard er monteret på værktøjet. Hvis justeringen har forskubbet sig, eller hvis De skal bruge en skærekæde af en anden størrelse, skal De løsne skruerne og justere den gule indikatorplade og indikationsplade.

## Udvidelse af hul

### 1. Udvidelse i bredden (Fig. 10)

Et hul kan udvides på tværs ved at justere målepladen. Den maksimale udvidelse af hullets bredde er 15 mm.

#### Eksempel:

Følg nedenstående fremgangsmåde ved udskæring af et hul, der er 25 mm bredt, med en 16,5 mm skærekæde:

- Skub håndtaget (B) væk fra Dem selv. Løs sekskantskruerne, der holder målepladen fast.
- Juster målepladen, så bevægelsesafstanden (D) er 8,5 mm., dvs.  $25 \text{ mm} - 16,5 \text{ mm} = 8,5 \text{ mm}$ . Tilspænd sekskantskruen for at fastgøre målepladen.
- Skær det første hul med håndtaget (B) skubbet væk fra Dem selv. Træk derefter håndtaget (B) mod Dem selv, og skær igen for at udvide hullet.

#### BEMÆRK:

- Målepladen er fabriksindstillet til at skære et hul med en bredde på 30 mm.

### 2. Udvidelse i længden

Hullets længde kan bestemmes i tre trin, som vist i tabellen nedenfor.

Skærekædens position	Længden af det hul, der skal skæres
Oprindelig position	52,5 mm
Position nr. 1	52,5 mm – 105 mm
Position nr. 2	77,5 mm – 130 mm

#### BEMÆRK:

- Der kan blive skåret et hul, som er en smule længere end forudindstillet, afhængigt af skærekædens stramhed.
- Sekskantskruerne til justering er fabriksindstillet til at skære huller, der er 90 mm lange i position nr. 1 og 120 mm lange i position nr. 2.

Tryk det højre greb ned, samtidig med at De hæver det venstre greb. Kontroller, at sekskantskruen til justering glider sikkert på plads. (Fig. 11)

Løs sekskantmøtrikken, der holder justeringskruen fast. Drej justeringskruen, indtil skærekæden når den ønskede position, og spænd derefter sekskantmøtrikken igen. (Fig. 12)

#### ADVARSEL:

- Hvis der anvendes kraft til at dreje sekskantskruen eller sekskantmøtrikken, skal De være forsigtig med, at sekskantskruen ikke glider ud af indstillingspositionen. For at føre skærekæden tilbage til den oprindelige lodrette stilling skal De trække håndtaget (C) mod Dem selv, samtidig med at De trykker ned på det højre greb, hæver

det venstre greb en smule og flytter skærekæden tilbage til udgangsstillingen.

Ved udskæring af et hul skal De først anvende den lodrette stilling, dernæst position nr. 1 og til sidst position nr. 2. Sæt altid værktøjshovedet omhyggeligt tilbage på krogen, når De ændrer skærekædens position. (Fig. 13) Når et hul skal udvides både i bredden og i længden, skal De skære hullerne i den angivne rækkefølge fra nr. (1) til (6) som vist. Det giver en lettere og mere effektiv udvidelse af hullet. (Fig. 14)

#### ADVARSEL:

- Forsøg aldrig at udvide et hul, mens skærekæden stadig sidder i hullet. Det vil medføre, at værktøjet bliver ustabilt og farligt.
- Skærekæden må aldrig vinkelstilles ved udskæring af det første hul, da det kan medføre et farligt tilbageslag. Hav altid skærekæden i lodret stilling, når det første hul skæres.

Der kan skæres oversamlinger på op til 130 mm med dette værktøj. (Fig. 15)

#### BEMÆRK:

- Oversamlinger kan kun skæres på arbejdsemnets forside (den side, der vender væk fra Dem).

## VEDLIGEHOVELSE

### FORSIGTIG:

- Sørg altid for, at værktøjet er slukket, og at stikket er taget ud, før De forsøger at udføre inspektion eller vedligeholdelse.
- Brug aldrig benzin, benzen, fortynder, alkohol eller lignende. Det kan muligvis medføre misfarvning, deformation eller revner.

## Udskiftning af kulbørster (Fig. 16)

Tag regelmæssigt kulbørsterne af, og efterse dem. Udskift dem, når de er nedslidt til slidgrænsen. Hold kulbørsterne rene og frie til at glide i holderne. Begge kulbørsterne skal udskiftes samtidig. Brug altid identiske kulbørster. Brug en skruetrækker til at fjerne kulholderdækslerne. Tag de udslidte kulbørster ud, monter de nye, og fastgør kulholderdækslerne. (Fig. 17)

## Smøring

Fjern snavs, spåner og fremmedlegemer, som hænger fast i værktøjet, efter brug. Smør derefter de bevægelige dele (især skærekæden) og kontaktpositionerne. For at holde produktet SIKKERT og PÅLIDELIGT skal reparationer samt al anden vedligeholdelse eller justering udføres af autoriserede Makita-servicecentre, og der skal altid benyttes Makita-reservedele.

## EKSTRAUDSTYR

### ⚠ FORSIGTIG:

- Dette tilbehør eller ekstraudstyr anbefales til brug med det Makita-værktøj, som er beskrevet i denne brugsanvisning. Brug af andet tilbehør eller ekstraudstyr kan forårsage personskade. Brug kun tilbehør eller ekstraudstyr til det formål, det er beregnet til.

Henvend dig til dit lokale Makita-servicecenter, hvis du har brug for hjælp eller yderligere oplysninger vedrørende tilbehøret.

- Skærekæde
- Kædesværd til 30 mm
- Kædehjul 4 til 30 mm
- Olieforsyning (100 cc)

#### **BEMÆRK:**

- Visse dele på listen er muligvis indeholdt maskinindpakningen som standardtilbehør. De kan variere fra land til land.

#### **Støj**

ENG905-1

Det typiske A-vægtede støjniveau bestemt i overensstemmelse med EN62841-1:

Lydtryksniveau ( $L_{pA}$ ): 90 dB (A)

Lydeffektniveau ( $L_{WA}$ ): 103 dB (A)

Usikkerhed (K): 3 dB (A)

#### **Bær høreværn.**

#### **Vibration**

ENG900-1

Den samlede vibrationsværdi (treaksial vektorsum) bestemt i overensstemmelse med EN62841-1:

Vibrationsemission ( $a_h$ ): 2,5 m/s<sup>2</sup> eller mindre

Usikkerhed (K): 1,5 m/s<sup>2</sup>

ENG901-1

- Den opgivne vibrationsemissionsværdi er målt i overensstemmelse med standardtestmetoden og kan bruges til at sammenligne et værktøj med et andet.
- Den opgivne vibrationsemissionsværdi kan muligvis også bruges til en indledende eksponeringsvurdering.

#### **⚠ ADVARSEL:**

- Vibrationsemissionen under den faktiske brug af maskinen kan afvige fra den opgivne emissionsværdi afhængigt af den måde, maskinen anvendes på.
- Sørg for at bestemme sikkerhedsforanstaltninger for beskyttelse af operatøren, som er baseret på en eksponeringsvurdering for brug under faktiske forhold (hvor alle anvendelsescyklussens dele inddrages, som f.eks. antal gange maskinen slukkes, og når den kører i tomgang ud over triggertiden).

#### **EF-overensstemmelseserklæring**

##### ***Kun for europæiske lande***

EF-overensstemmelseserklæringen er inkluderet som appendiks A til denne betjeningsvejledning.

## ΕΛΛΗΝΙΚΑ (Πρωτογενείς οδηγίες)

### Περιγραφή γενικής όψης

- |                         |                             |   |
|-------------------------|-----------------------------|---|
| 1. Μπουλόνι με πτερύγια | 14. Πίσω μέγκενη            | 27. Εξαγωνικό μπουλόνι ρύθμισης για την προκαθορισμένη θέση 1 |
| 2. Άξονας στοπ          | 15. Λαβή ρύθμισης           | 28. Εξαγωνικό μπουλόνι ρύθμισης για την προκαθορισμένη θέση 2 |
| 3. Στοπ                 | 16. Μπροστινή μέγκενη       | 29. Αρχική θέση   |
| 4. Κουμπί ασφάλισης     | 17. Ενδεικτική πλάκα        | 30. Προκαθορισμένη θέση 1                                     |
| 5. Σκανδάλη διακόπτης   | 18. Πλάκα ενδείξεων         | 31. Προκαθορισμένη θέση 2                                     |
| 6. Ρυθμιστική βίδα      | 19. Γραμμή κοπής (A)        | 32. Κανόνας   |
| 7. Ράβδος αλυσίδας      | 20. Γραμμή κοπής (B)        | 33. Μπροστινός σφικτήρας                                      |
| 8. Κάλυμμα αλυσίδας     | 21. Αγκιστρο                | 34. Ένδειξη ορίου   |
| 9. Εξαγωνικό μπουλόνι   | 22. Εξαγωνικά μπουλόνια     | 35. Καπάκι υποδοχέα για το καρβουνάκι                         |
| 10. Βέλος               | 23. Πλάκα μέτρησης          | 36. Κατσαβίδι   |
| 11. Δόντι               | 24. Διανυόμενη απόσταση (D) |   |
| 12. Μοχλός (A)          | 25. Μοχλός (B)              |   |
| 13. Μοχλός μέγκενη      | 26. Μοχλός (C)              |   |

## ΤΕΧΝΙΚΑ ΧΑΡΑΚΤΗΡΙΣΤΙΚΑ

Μοντέλο		7104L
Δυνατότητες	Μέγιστο μήκος οπής (διάμηκες)	130 mm
	Μέγιστο βάθος οπής	155 mm
Πλάτος εφαρμόσιμου τεμαχίου εργασίας		80 mm – 308 mm
Ταχύτητα αλυσίδας		300 m/min
Διαστάσεις (Μ Χ Π Χ Υ)		512 mm Χ 298 mm Χ 513 mm
Καθαρό βάρος		17,8 - 18,2 κιλά
Τάξη ασφάλειας		Τάξη I

- Λόγω του συνεχόμενου προγράμματος που εφαρμόζουμε για έρευνα και ανάπτυξη, τα τεχνικά χαρακτηριστικά στο παρόν έντυπο υπόκεινται σε αλλαγή χωρίς προειδοποίηση.
- Τα τεχνικά χαρακτηριστικά ενδέχεται να διαφέρουν ανάλογα με τη χώρα.
- Το βάρος μπορεί να διαφέρει αναλόγως του προσαρτήματος(ων). Ο ελαφρύτερος και ο βαρύτερος συνδυασμός, σύμφωνα με τη Διαδικασία-ΕΡΤΑ 01/2014, εμφανίζονται στον πίνακα.

**Προοριζόμενη χρήση** ENF062-1  
Το εργαλείο προορίζεται για το άνοιγμα εσοχών σε ξύλο.

**Παροχή ρεύματος** ENF001-1  
Το εργαλείο πρέπει να συνδέεται μόνο σε ηλεκτρική τροφοδοσία της ίδιας τάσης με αυτή που αναγράφεται στην πινακίδα ονομαστικών τιμών και μπορεί να λειτουργήσει μόνο με εναλλασσόμενο μονοφασικό ρεύμα. Το εργαλείο αυτό πρέπει να είναι γειωμένο όταν βρίσκεται σε λειτουργία για να προστατεύεται ο χειριστής από την πρόκληση ηλεκτροπληξίας. Να χρησιμοποιείτε μόνο τριπλά καλώδια με φως τριών ακροδεκτών με γείωση και πρίζες τριών ακροδεκτών που δέχονται το φως του εργαλείου.

## Γενικές προειδοποιήσεις ασφαλείας για το ηλεκτρικό εργαλείο

GEA010-2

**⚠️ ΠΡΟΕΙΔΟΠΟΙΗΣΗ:** Διαβάστε όλες τις προειδοποιήσεις ασφαλείας, οδηγίες, εικονογραφήσεις και προδιαγραφές που παρέχονται με αυτό το ηλεκτρικό εργαλείο. Η μη τήρηση όλων των οδηγιών που αναγράφονται κατωτέρω μπορεί να

καταλήξει σε ηλεκτροπληξία, πυρκαγιά ή/και σοβαρό τραυματισμό.

## Φυλάξτε όλες τις προειδοποιήσεις και τις οδηγίες για μελλοντική παραπομπή.

Στις προειδοποιήσεις, ο όρος “ηλεκτρικό εργαλείο” αναφέρεται σε ηλεκτρικό εργαλείο που τροφοδοτείται από την κύρια παροχή ηλεκτρικού ρεύματος (με ηλεκτρικό καλώδιο) ή σε ηλεκτρικό εργαλείο που τροφοδοτείται από μπαταρία (χωρίς ηλεκτρικό καλώδιο).

## ΠΡΟΣΘΕΤΟΙ ΚΑΝΟΝΕΣ ΑΣΦΑΛΕΙΑΣ

ENB093-1

1. Να χρησιμοποιείτε το παρόν εργαλείο μόνο για να ανοίγετε οπές σε ξύλο.
2. Το εργαλείο αυτό προορίζεται για το άνοιγμα οπών σε ξύλο με επίπεδη επιφάνεια. Μη το χρησιμοποιείτε ποτέ για να ανοίξετε οπές σε κορμούς δέντρων.
3. Να φοράτε γυαλιά προστασίας.

4. Να χειρίζεστε την κοπτική αλυσίδα με προσοχή επειδή είναι πολύ αιχμηρή.
5. Να τοποθετείτε το τεμάχιο εργασίας σε κομμάτια ξύλου ή χαμηλούς δοκούς ώστε να μη χτυπήσει η κοπτική αλυσίδα στο έδαφος, το δάπεδο, κτλ., και προκληθεί βλάβη στην κοπτική αλυσίδα τη στιγμή που ανοίγεται η σφή.
6. Ελέγξτε προσεκτικά την κοπτική αλυσίδα για ρωγμές ή βλάβη πριν από τη λειτουργία. Αντικαταστήστε αμέσως μια κοπτική αλυσίδα με ρωγμή ή βλάβη.
7. Ασφαλίστε καλά το εργαλείο στο τεμάχιο εργασίας.
8. Ελέγξτε και αφαιρέστε καρφιά ή ξένα αντικείμενα από το τεμάχιο εργασίας πριν από τη λειτουργία.
9. Μη θέσετε το εργαλείο σε λειτουργία με το κάλυμμα ασφάλειας ανοιχτό.
10. Μη φοράτε γάντια κατά τη λειτουργία.
11. Μην πλησιάζετε τα χέρια σας σε κινούμενα μέρη.
12. Βγάλετε το εργαλείο από το τεμάχιο εργασίας μετά τη λειτουργία για να μην πέσει και να προκαλέσει πιθανώς τραυματισμό.
13. Μην κακομεταχειρίζεστε το ηλεκτρικό καλώδιο. Μην τραβάτε ποτέ το ηλεκτρικό καλώδιο για να το αποσυνδέσετε από την πρίζα. Διατηρείτε το ηλεκτρικό καλώδιο μακριά από θερμότητα, λάδια, νερό και αιχμηρά αντικείμενα.
14. **ΣΩΣΤΗ ΓΕΙΩΣΗ.** Το εργαλείο αυτό πρέπει να είναι γειωμένο όταν βρίσκεται σε λειτουργία για να προστατεύεται ο χειριστής από την πρόκληση ηλεκτροπληξίας.
15. **ΚΑΛΩΔΙΑ ΠΡΟΕΚΤΑΣΗΣ (ΜΠΑΛΑΝΤΕΖΕΣ).** Να χρησιμοποιείτε μόνο τριπλά καλώδια με φως τριών ακροδεκτών με γείωση και πρίζες τριών ακροδεκτών που δέχονται το φως του εργαλείου. Αλλάξτε ή επισκευάστε αμέσως τα κατεστραμμένα ή τα φθαρμένα ηλεκτρικά καλώδια.

## ΦΥΛΑΞΤΕ ΑΥΤΕΣ ΤΙΣ ΟΔΗΓΙΕΣ.

## ΠΕΡΙΓΡΑΦΗ ΛΕΙΤΟΥΡΓΙΑΣ

### ΠΡΟΣΟΧΗ:

- Να βεβαιώνετε πάντοτε ότι το εργαλείο είναι σβηστό και αποσυνδεδεμένο από το ρεύμα πριν ρυθμίσετε ή ελέγξετε κάποια λειτουργία του.

### Ρύθμιση του βάθους κοπής (Εικ. 1)

Ξεσφίξτε το μπουλόνι με τα πτερύγια στο στοπ. Μετακινήστε το στοπ στην επιθυμητή θέση και σφίξτε το μπουλόνι με τα πτερύγια. Όταν είναι σφιγμένο, το άκρο των μπουλονιών με τα πτερύγια θα πρέπει να βρίσκεται σε επαφή με την επίπεδη επιφάνεια του άξονα στοπ. Οι αριθμοί που αναγράφονται στον άξονα στοπ είναι σε εκατοστά (3 mm ανά διαβάθμιση).

### Δράση διακόπτη (Εικ. 2)

#### ΠΡΟΣΟΧΗ:

- Πριν συνδέσετε το εργαλείο, πάντοτε να ελέγχετε ότι η σκανδάλη διακόπτης ενεργοποιείται κανονικά και επιστρέφει στη θέση OFF όταν την αφήνετε.

Για να μην πιέζεται η σκανδάλη διακόπτης κατά λάθος, παρέχεται ένα κουμπί ασφάλισης. Για να ξεκινήσετε τη

λειτουργία του εργαλείου, πιέστε το κουμπί ασφάλισης και τραβήξτε τη σκανδάλη διακόπτης. Για να σταματήσετε, αφήστε τη σκανδάλη διακόπτη.

## ΣΥΝΑΡΜΟΛΟΓΗΣΗ

### ΠΡΟΣΟΧΗ:

- Να βεβαιώνετε πάντοτε ότι το εργαλείο είναι σβηστό και αποσυνδεδεμένο από το ηλεκτρικό ρεύμα πριν εκτελέσετε οποιαδήποτε εργασία σε αυτό.

### Τοποθέτηση ή αφαίρεση της κοπτικής αλυσίδας (Εικ. 3)

#### ΠΡΟΕΙΔΟΠΟΙΗΣΗ:

- Να βεβαιώνετε πάντοτε ότι το εργαλείο είναι σβηστό και αποσυνδεδεμένο από το ρεύμα πριν τοποθετήσετε ή αφαιρέσετε την κοπτική αλυσίδα.
- Να κλείνετε πάντοτε το κάλυμμα αλυσίδας μετά την τοποθέτηση, την αφαίρεση ή τη ρύθμιση της κοπτικής αλυσίδας.

Ανοίξτε το κάλυμμα αλυσίδας για να τοποθετήσετε την κοπτική αλυσίδα. Ξεσφίξτε το εξαγωγικό μπουλόνι που ασφαλίζει τη ράβδο αλυσίδας και τη ρυθμιστική βίδα. Προσανατολίστε τους κόπτες προς την κατεύθυνση του βέλους στο εργαλείο (κατεύθυνση περιστροφής).

Προσαρμόστε την κοπτική αλυσίδα πρώτα στο δόντι και κατόπιν στη ράβδο αλυσίδας. Σφίξτε το εξαγωγικό μπουλόνι έως τη μέση. (Εικ. 4)

Περιστρέψτε τη ρυθμιστική βίδα για να αυξήσετε την τάση της κοπτικής αλυσίδας. Τραβήξτε ελαφρά το μέσο της κοπτικής αλυσίδας. Το τέντωμα της κοπτικής αλυσίδας είναι ικανοποιητικό όταν η απόσταση ανάμεσα από τη ράβδο αλυσίδας και την κοπτική αλυσίδα είναι περίπου 5 έως 6 mm. (Εικ. 5)

Μετά από τη ρύθμιση του τεντώματος, σφίξτε το εξαγωγικό μπουλόνι καλά για να ασφαλίσετε τη ράβδο αλυσίδας. Εππιλέον, σφίξτε ελαφρά τη ρυθμιστική βίδα. Κλείστε το κάλυμμα αλυσίδας.

Για να βγάλετε την κοπτική αλυσίδα, ακολουθήστε τις διαδικασίες τοποθέτησης με αντίστροφη σειρά.

### Ασφάλιση του εργαλείου στο τεμάχιο εργασίας (Εικ. 6 και 7)

Ξεσφίξτε το μοχλό μέγκενης και μετακινήστε την πίσω μέγκενη προς τα πίσω. Τοποθετήστε το εργαλείο επάνω στο τεμάχιο εργασίας με τρόπο ώστε η μπροστινή μέγκενη να έρθει σε επαφή με τα πλαϊνά του τεμαχίου εργασίας. Μετακινήστε την πίσω μέγκενη προς τα εμπρός έως ότου η απόσταση μεταξύ της πίσω μέγκενης και του τεμαχίου εργασίας να είναι 3 έως 8 mm. Σφίξτε το μοχλό μέγκενης για να ασφαλίσετε την πίσω μέγκενη. Μετακινήστε το εργαλείο με τρόπο ώστε η ένδειξη «0» στην πλάκα ενδείξεων να είναι ευθυγραμμισμένη με τη γραμμή κοπής (Α). Πιέστε εντελώς προς τα κάτω το μοχλό (Α) για να ασφαλίσετε το τεμάχιο εργασίας. Περιστρέψτε τη λαβή ρύθμισης έως ότου να ευθυγραμμιστεί το μπροστινό άκρο της κίτρινης ενδεικτικής πλάκας με τη γραμμή κοπής (Β). (Εικ. 8)

### ΛΕΙΤΟΥΡΓΙΑ (Εικ. 9)

Πιάστε καλά τις λαβές σε οποιαδήποτε πλευρά.

Ενεργοποιήστε το εργαλείο και περιμένετε έως ότου η

κοπτική αλυσίδα φτάσει στην τελική ταχύτητα. Κατόπιν, απελευθερώστε το άγκιστρο και χαμηλώστε την κεφαλή του εργαλείου για να κόψετε το τεμάχιο εργασίας. Μην ασκείτε υπερβολική πίεση στο εργαλείο. Κάτι τέτοιο μπορεί να μειώσει την απόδοση λειτουργίας, αλλά και να προκαλέσει επικίνδυνη αντίδραση. Να τροφοδοτείτε αργά στην αρχή της κοπτικής λειτουργίας, όταν γίνεται διάνοιξη της οπής και όταν κόβετε έναν κόμπο του τεμαχίου εργασίας. Μετά το κόψιμο, σηκώστε σιγά-σιγά την κεφαλή του εργαλείου έως ότου να μπορέσετε να την τοποθετήσετε ξανά επάνω στο άγκιστρο. Κατόπιν, απενεργοποιήστε το εργαλείο. Σηκώστε το μοχλό (Α) και βγάλτε το εργαλείο από το τεμάχιο εργασίας.

#### ΠΡΟΕΙΔΟΠΟΙΗΣΗ:

- Να τοποθετείτε πάντοτε την κεφαλή του εργαλείου ξανά στο άγκιστρο όταν το εργαλείο δεν λειτουργεί.
- Μη δοκιμάζετε ποτέ να κόψετε ένα περιστρεφμένο ή παραμορφωμένο τεμάχιο εργασίας στο οποίο δεν είναι καλά ασφαλισμένο το εργαλείο.

### Ρύθμιση ενδεικτικής πλάκας και πλάκας ενδείξεων

Η κίτρινη ενδεικτική πλάκα και η πλάκα ενδείξεων είναι ρυθμισμένες από το εργοστάσιο για τη στάνταρ κοπτική αλυσίδα των 16,5 mm που παρέχεται. Σε περίπτωση που, για κάποιο λόγο, η ευθυγράμμιση δεν είναι σωστή ή όταν χρησιμοποιείται κοπτική αλυσίδα άλλου μεγέθους, ξεσφίξτε τις βίδες και ρυθμίστε την κίτρινη ενδεικτική πλάκα και την πλάκα ενδείξεων.

### Οπή μεγέθυνσης

#### 1. Εγκάρσια (κατά πλάτος) μεγέθυνση (Εικ. 10)

Μπορείτε να μεγεθύνετε εγκάρσια μια οπή ρυθμίζοντας την πλάκα μέτρησης. Η μέγιστη επέκταση του πλάτους οπής είναι 15 mm.

##### Παράδειγμα:

Όταν ανοίγετε μια οπή με πλάτος 25 mm χρησιμοποιώντας κοπτική αλυσίδα των 16,5 mm, συνεχίστε ως ακολούθως:

- Πιέστε το μοχλό (Β) μακριά από εσάς. Ξεσφίξτε τα εξαγωνικά μπουλόνια που ασφαλίζουν την πλάκα μέτρησης.
- Ρυθμίστε την πλάκα μέτρησης έτσι ώστε η διανυόμενη απόσταση (D) να είναι 8,5 mm, δηλαδή, 25 mm – 16,5 mm = 8,5 mm. Σφίξτε τα εξαγωνικά μπουλόνια για να ασφαλίσετε την πλάκα μέτρησης.
- Ανοίξτε την πρώτη οπή με το μοχλό (Β) πιεσμένο μακριά από εσάς. Κατόπιν, τραβήξτε το μοχλό (Β) προς το μέρος σας και κόψτε ξανά για να μεγεθύνετε την οπή.

#### ΠΑΡΑΤΗΡΗΣΗ:

- Η πλάκα μέτρησης είναι ρυθμισμένη από το εργοστάσιο για να ανοίγει οπές με πλάτος 30 mm.

### 2. Διαμήκη (κατά μήκος) μεγέθυνση

Μπορείτε να καθορίσετε το μήκος της οπής στα τρία βήματα που παρουσιάζονται στον παρακάτω πίνακα.

Θέση κοπτικής αλυσίδας	Μήκος οπής που θα ανοιχτεί
Αρχική θέση	52,5 mm
Προκαθορισμένη θέση 1	52,5 mm – 105 mm
Προκαθορισμένη θέση 2	77,5 mm – 130 mm

#### ΠΑΡΑΤΗΡΗΣΗ:

- Μπορείτε το μήκος της οπής να ανοιχτεί λίγο περισσότερο από ό,τι είχε προκαθοριστεί ανάλογα με το τέντωμα της κοπτικής αλυσίδας.
- Τα εξαγωνικά μπουλόνια ρύθμισης είναι ρυθμισμένα από το εργοστάσιο για να ανοίγουν οπές με μήκος 90 mm στην προκαθορισμένη θέση 1 και με μήκος 120 mm στην προκαθορισμένη θέση 2.

Πιέστε προς τα κάτω τη δεξιά λαβή, ενώ σηκώνετε την αριστερή λαβή. Βεβαιωθείτε ότι το εξαγωνικό μπουλόνι ρύθμισης γλιστράει στη θέση του με ασφάλεια. (Εικ. 11) Ξεσφίξτε το εξαγωνικό παξιμάδι που ασφαλίζει το εξαγωνικό μπουλόνι ρύθμισης. Περιστρέψτε το εξαγωνικό μπουλόνι ρύθμισης έως ότου η κοπτική αλυσίδα φτάσει στην επιθυμητή θέση και κατόπιν σφίξτε το εξαγωνικό παξιμάδι. (Εικ. 12)

#### ΠΡΟΕΙΔΟΠΟΙΗΣΗ:

- Όταν ασκείτε πίεση για να περιστρέψετε το εξαγωνικό μπουλόνι ρύθμισης ή το εξαγωνικό παξιμάδι, προσέχετε ώστε το εξαγωνικό μπουλόνι ρύθμισης να μη γλιστρήσει από την προκαθορισμένη θέση.

Για να επαναφέρετε την κοπτική αλυσίδα στην κάθετη (αρχική) θέση, τραβήξτε το μοχλό (C) προς το μέρος σας ενώ πιέζετε προς τα κάτω τη δεξιά λαβή και σηκώνετε ελαφρά τη δεξιά λαβή και μετακινείτε την κοπτική αλυσίδα στην αρχική θέση της.

Όταν ανοίγετε μια οπή, να χρησιμοποιείτε αρχικά την κάθετη θέση, κατόπιν την προκαθορισμένη θέση 1 και τελικά την προκαθορισμένη θέση 2. Να τοποθετείτε πάντοτε με ασφάλεια την κεφαλή του εργαλείου ξανά στο άγκιστρο όταν αλλάζετε τη θέση της κοπτικής αλυσίδας. (Εικ. 13)

Όταν μεγεθύνετε μια οπή τόσο εγκάρσια όσο και διαμήκη, να την ανοίγετε με τη σειρά που υποδεικνύεται από τα βήματα (1) έως (6), όπως παρουσιάζεται. Έτσι, η μεγέθυνση της οπής θα γίνεται πιο εύκολα και αποδοτικά. (Εικ. 14)

#### ΠΡΟΕΙΔΟΠΟΙΗΣΗ:

- Μην επιχειρήσετε ποτέ να μεγεθύνετε μια οπή όταν η κοπτική αλυσίδα βρίσκεται ακόμα μέσα στην οπή. Αυτό θα προκαλέσει ασαθή και επικίνδυνη λειτουργία.
- Μην κρατάτε ποτέ την κοπτική αλυσίδα υπό γωνία όταν ανοίγετε την πρώτη οπή επειδή μπορεί να προκληθεί επικίνδυνος κλότσημα. Όταν ανοίγετε την πρώτη οπή, να ρυθμίζετε πάντοτε την κοπτική αλυσίδα στην κάθετη θέση.

Μπορείτε να ανοίγετε αρμούς με επικάλυψη έως 130 mm με το εργαλείο αυτό. (Εικ. 15)

#### ΠΑΡΑΤΗΡΗΣΗ:

- Μπορείτε να ανοίγετε αρμούς με επικάλυψη μόνο στο μπροστινό μέρος (πλευρά που είναι μακριά από εσάς) του τεμαχίου εργασίας.

# ΣΥΝΤΗΡΗΣΗ

## ΠΡΟΣΟΧΗ:

- Να βεβαιώνετε πάντοτε ότι το εργαλείο είναι σβηστό και αποσυνδεδεμένο από το ηλεκτρικό ρεύμα πριν εκτελέσετε οποιαδήποτε εργασία ελέγχου ή συντήρησης σε αυτό.
- Μην χρησιμοποιήσετε βενζίνη, βενζόλη, διαλυτικό, αλκοόλη ή κάτι παρόμοιο. Μπορεί να προκληθεί αποχρωματισμός, παραμόρφωση ή ρωγμές.

## Αντικατάσταση καρβουνακίων (Εικ. 16)

Να αφαιρείτε και να ελέγχετε τακτικά τα καρβουνάκια. Αντικαταστήστε τα όταν έχουν φθαρεί έως την ένδειξη ορίου. Να διατηρείτε τα καρβουνάκια καθαρά και ελεύθερα για να γλιστρούν στις υποδοχές. Πρέπει να αλλάζετε ταυτόχρονα και τα δύο καρβουνάκια. Να χρησιμοποιείτε μόνο καρβουνάκια ίδιου τύπου. Με τη βοήθεια ενός κατασβιδιού, βγάλτε τα καπάκια της υποδοχής για τα καρβουνάκια. Βγάλτε τα φθαρμένα καρβουνάκια, τοποθετήστε τα καινούργια και ασφαλίστε τα καπάκια της υποδοχής για τα καρβουνάκια. (Εικ. 17)

## Λίπανση

Μετά τη χρήση, να αφαιρείτε τη σκόνη, τα θραύσματα και τα ξένα αντικείμενα που έχουν προσκολληθεί στο εργαλείο. Κατόπιν, λιπάνετε τα κινούμενα μέρη (ιδίως την κοπτική αλυσίδα) και τα συνδεδεμένα τμήματα. Για να διατηρείται η ΑΣΦΑΛΕΙΑ και η ΑΞΙΟΠΙΣΤΙΑ του προϊόντος, οι εργασίες επισκευής, καθώς και οποιαδήποτε άλλη εργασία συντήρησης ή ρύθμισης, θα πρέπει να εκτελούνται σε εξουσιοδοτημένα κέντρα εξυπηρέτησης της Makita, και πάντοτε με τη χρήση ανταλλακτικών της Makita.

## ΠΡΟΑΙΡΕΤΙΚΑ ΑΞΕΣΟΥΑΡ

### ⚠ ΠΡΟΣΟΧΗ:

- Συνιστάται η χρήση αυτών των αξεσουάρ ή εξαρτημάτων με το εργαλείο της Makita, όπως περιγράφεται στο παρόν εγχειρίδιο. Αν χρησιμοποιήσετε άλλα αξεσουάρ ή εξαρτήματα μπορεί να παρουσιαστεί κίνδυνος για πρόκληση τραυματισμού προσώπων. Να χρησιμοποιείτε τα αξεσουάρ και τα εξαρτήματα μόνο για το σκοπό για τον οποίο προορίζονται.

Αν χρειάζεστε κάποια βοήθεια ή περισσότερες πληροφορίες σχετικά με τα αξεσουάρ αυτά, απευθυνθείτε στο πλησιέστερο κέντρο εξυπηρέτησης της Makita.

- Κοπτική αλυσίδα
- Ράβδος αλυσίδας για 30 mm
- Δόντι 4 για 30 mm
- Λιπαντικό (100 cc)

## ΣΗΜΕΙΩΣΗ:

- Ορισμένα από τα στοιχεία της λίστα μπορεί να περιέχονται στην συσκευασία του εργαλείου ως κανονικά αξεσουάρ. Αυτά ενδέχεται να διαφέρουν από χώρα σε χώρα.

## Θόρυβος

ENG905-1

Το σύνθημα σταθμισμένο επίπεδο θορύβου που έχει καθοριστεί σύμφωνα με την EN62841-1:

Επίπεδο ηχητικής πίεσης (L<sub>pA</sub>): 90 dB (A)  
Επίπεδο ηχητικής ισχύος (L<sub>WA</sub>): 103 dB (A)  
Αβεβαιότητα (K): 3 dB (A)

### Να φοράτε ωτοασπίδες.

## Δόνηση

ENG900-1

Η συνολική τιμή δόνησης (διανυσματικό άθροισμα τριών αξόνων) που έχει καθοριστεί σύμφωνα με την EN62841-1:

Εκπομπή δόνησης (a<sub>h</sub>): 2,5 m/s<sup>2</sup> ή λιγότερο  
Αβεβαιότητα (K): 1,5 m/s<sup>2</sup>

ENG901-1

- Η δηλωθείσα τιμή των παραγομένων κραδασμών έχει καταμετρηθεί σύμφωνα με την τυποποιημένη μέθοδο δοκιμασίας και μπορεί να χρησιμοποιηθεί για την σύγκριση ενός εργαλείου με ένα άλλο.
- Η δηλωθείσα τιμή των παραγομένων κραδασμών μπορεί επίσης να χρησιμοποιηθεί για μια προκαταρκτική αξιολόγηση της έκθεσης στους κραδασμούς.

## ⚠ ΠΡΟΕΙΔΟΠΟΙΗΣΗ:

- Η εκπομπή κραδασμών κατά τη διάρκεια της πραγματικής χρήσης του ηλεκτρικού εργαλείου μπορεί να διαφέρει από τη δηλωθείσα τιμή των εκπομπών, ανάλογα με τον τρόπο με τον οποίο χρησιμοποιείται το εργαλείο.
- Φροντίστε να λάβετε τα μέτρα ασφαλείας που απαιτούνται για την προστασία του χρήστη που βασίζονται σε μια εκτίμηση της έκθεσης σε πραγματικές συνθήκες χρήσης (λαμβάνοντας υπόψη όλα τα μέρη του κύκλου λειτουργίας, όπως είναι οι περιπτώσεις κατά τις οποίες το εργαλείο είναι απενεργοποιημένο και όταν λειτουργεί στο ρελαντί επιπρόσθετως του χρόνου κατά τον οποίο το εργαλείο βρίσκεται σε χρήση).

## ΕΚ Δήλωση συμμόρφωσης

### Για Ευρωπαϊκές χώρες μόνο

Η δήλωση συμμόρφωσης EK περιλαμβάνεται ως παράρτημα Α σε αυτό το εγχειρίδιο οδηγιών.

Makita Europe N.V.

Jan-Baptist Vinkstraat 2,  
3070 Kortenberg, Belgium

Makita Corporation

3-11-8, Sumiyoshi-cho,  
Anjo, Aichi 446-8502 Japan