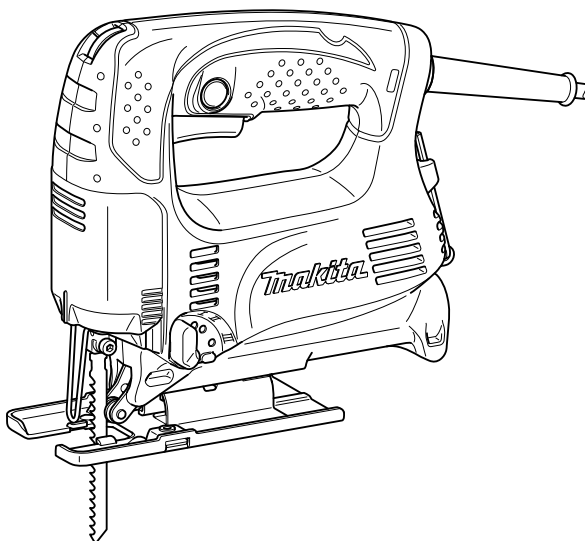
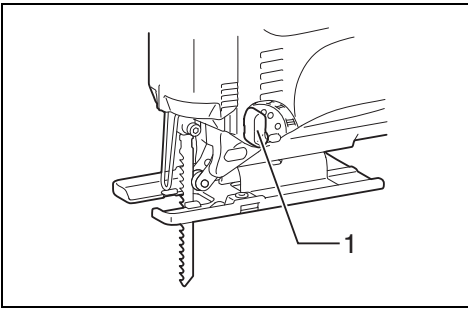




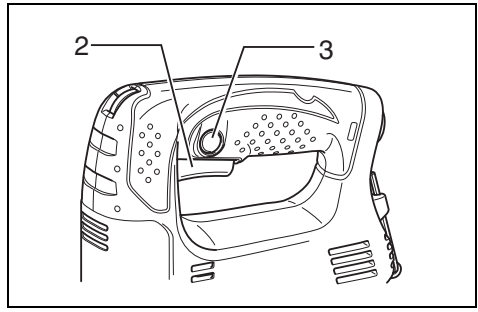
| | | |
|-----------|-----------------------------|--------------------------------|
| GB | Jig Saw | Instruction Manual |
| F | Scie sauteuse | Manuel d'instructions |
| D | Stichsäge | Betriebsanleitung |
| I | Seghetto alternativo | Istruzioni per l'uso |
| NL | Decoupeerzaag | Gebruiksaanwijzing |
| E | Sierra caladora | Manual de instrucciones |
| P | Serra tico-tico | Manual de instruções |
| DK | Dekupørsav | Brugsanvisning |
| GR | Παλινδρομικό πριόνι | Οδηγίες χρήσεως |

4326
4327
4328
4329

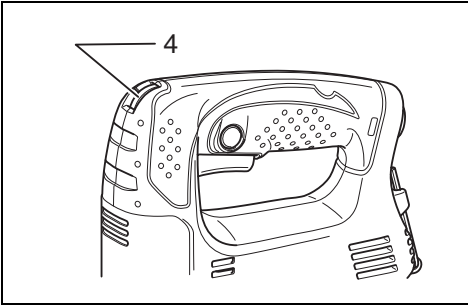




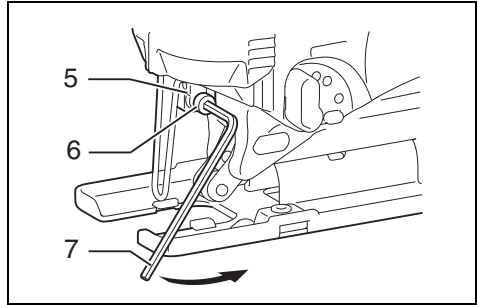
008153



008082

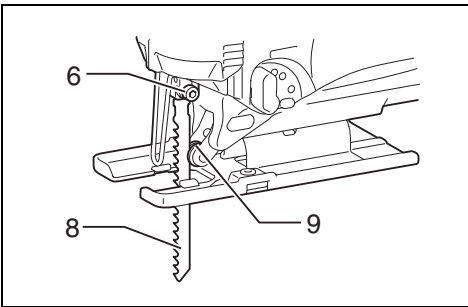


008167

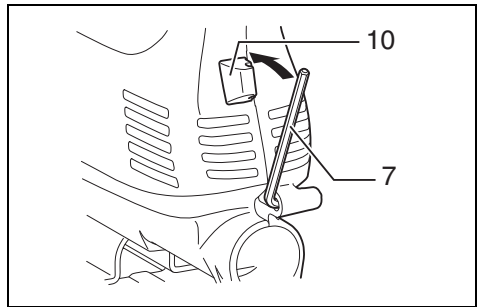


4

008083

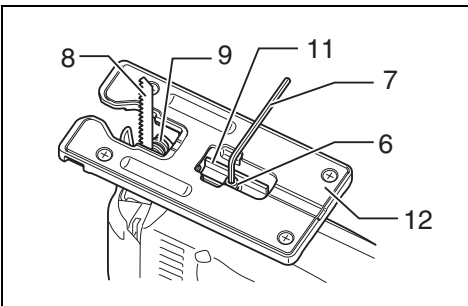


008084

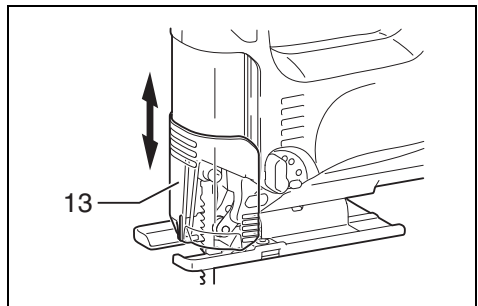


6

008085



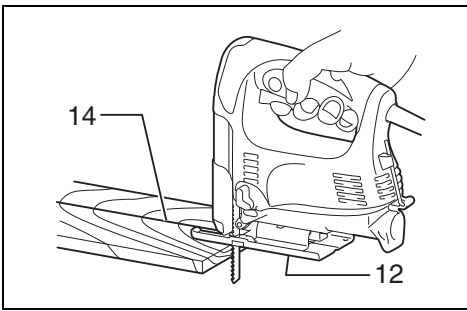
008154



8

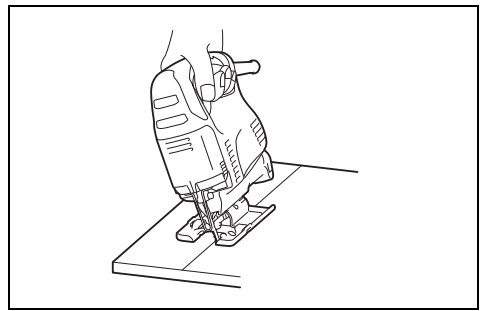
008086

7



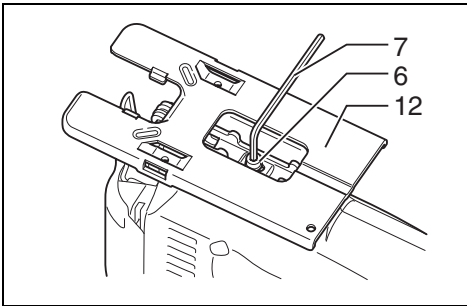
9

008087



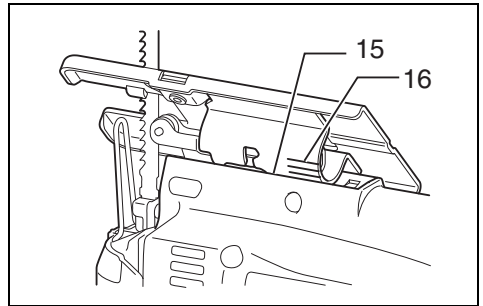
10

008088



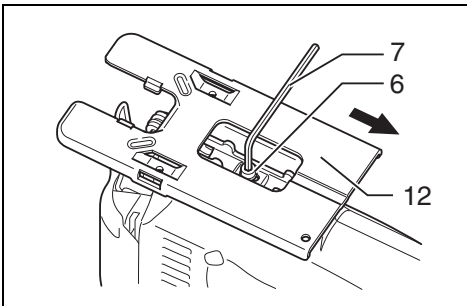
11

008089



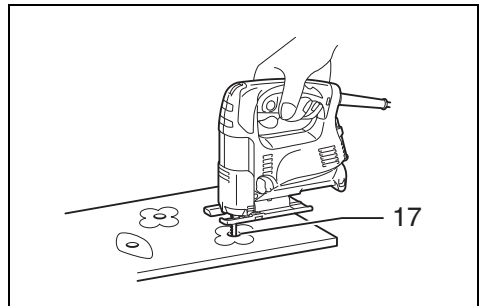
12

008090



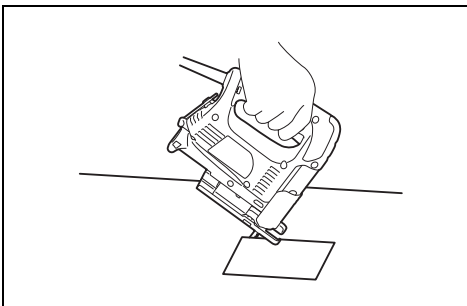
13

008091



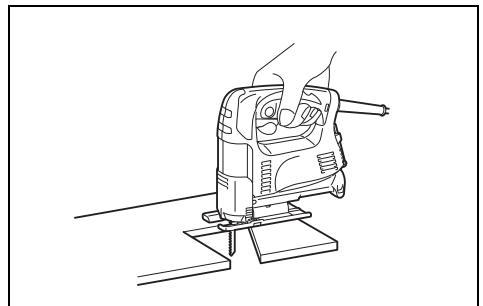
14

008092



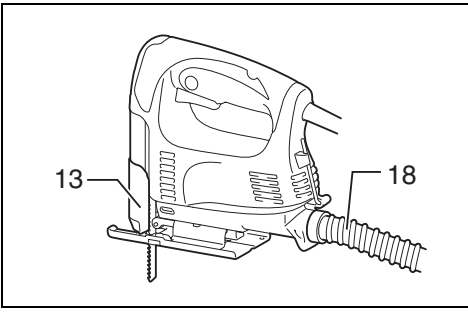
15

008093

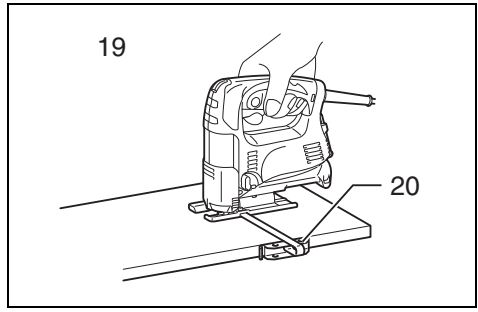


16

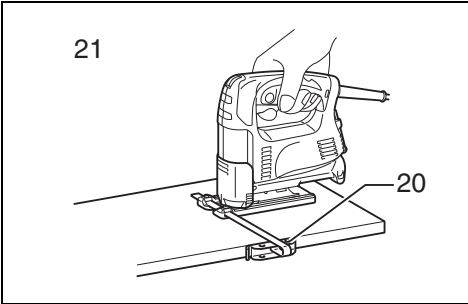
008094



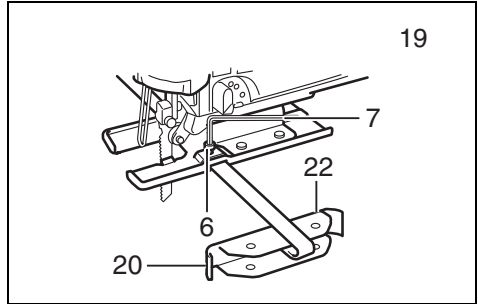
17 008095



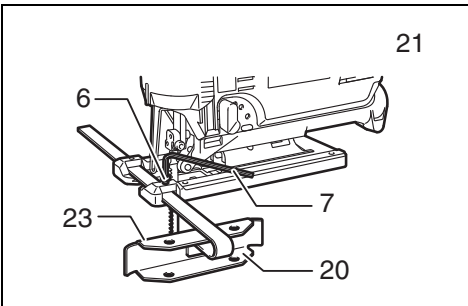
18 008096



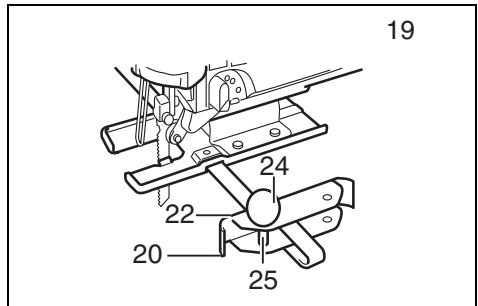
19 008097



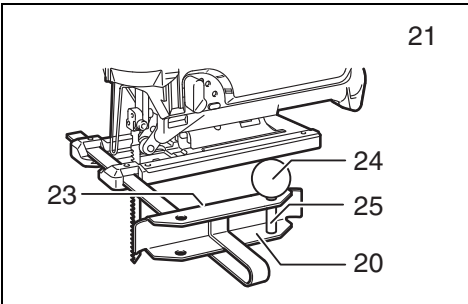
20 002776



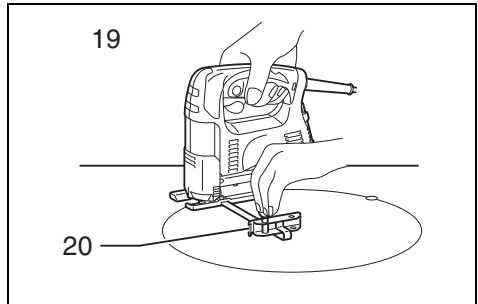
21 005454



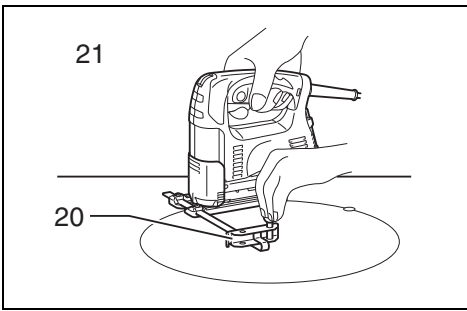
22 002777



23 005455

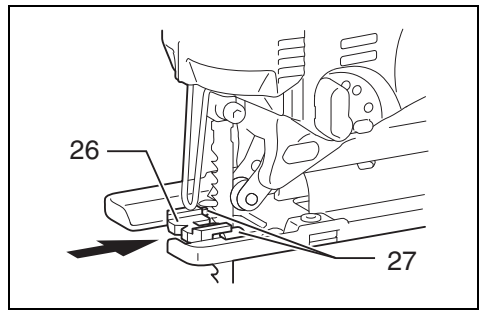


24 008098



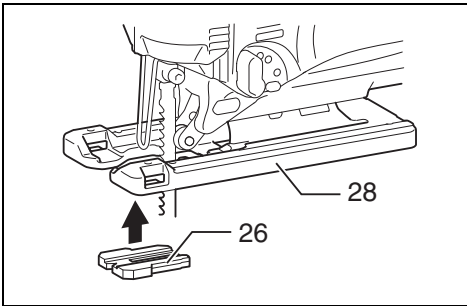
25

008099



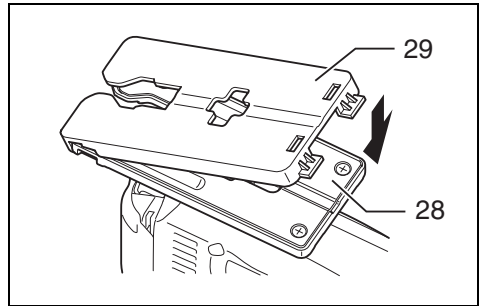
26

008100



27

008101



28

008102

Explanation of general view

| | | |
|---------------------------------|---------------------------|----------------------------|
| 1 Cutting action changing lever | 11 Retainer | 21 Aluminum base type |
| 2 Switch trigger | 12 Base | 22 Guide facing |
| 3 Lock button | 13 Dust cover | 23 Fence guide |
| 4 Speed adjusting dial | 14 Cutting line | 24 Threaded knob |
| 5 Blade holder | 15 Edge | 25 Pin |
| 6 Bolt | 16 Graduation | 26 Anti-splintering device |
| 7 Hex wrench | 17 Starting hole | 27 Protrusions |
| 8 Blade | 18 Hose | 28 Aluminum base |
| 9 Roller | 19 Steel base type | 29 Cover plate |
| 10 Hook | 20 Rip fence (Guide rule) | |

SPECIFICATIONS

| Model | | 4326 | 4327 | 4328 | 4329 |
|---|-----------------------------|--------|-----------------------------|-------------|-------------|
| Length of stroke | | 18 mm | 18 mm | 18 mm | 18 mm |
| Blade type | | B type | | | |
| Max. cutting capacities | Wood | 65 mm | 65 mm | 65 mm | 65 mm |
| | Mild steel | 6 mm | 6 mm | 6 mm | 6 mm |
| Strokes per minute (min ⁻¹) | | 3,100 | 500 – 3,100 | 500 – 3,100 | 500 – 3,100 |
| Overall length | 217 mm (Steel base type) | | 217 mm (Steel base type) | 217 mm | 223 mm |
| | 223 mm (Aluminum base type) | | 223 mm (Aluminum base type) | | |
| Net weight | | 1.9 kg | 1.9 kg | 1.8 kg | 1.9 kg |
| Safety class | | □/II | | | |

- Due to our continuing program of research and development, the specifications herein are subject to change without notice.
- Specifications may differ from country to country.
- Weight according to EPTA-Procedure 01/2014

Intended use

ENE019-1

GEB186-1

The tool is intended for the sawing of wood, plastic and metal materials. As a result of the extensive accessory and saw blade program, the tool can be used for many purposes and is very well suited for curved or circular cuts.

Power supply

ENF002-2

The tool should be connected only to a power supply of the same voltage as indicated on the nameplate, and can only be operated on single-phase AC supply. They are double-insulated and can, therefore, also be used from sockets without earth wire.

GEA010-2

General power tool safety warnings

⚠ WARNING Read all safety warnings, instructions, illustrations and specifications provided with this power tool. Failure to follow all instructions listed below may result in electric shock, fire and/or serious injury.

Save all warnings and instructions for future reference.

The term "power tool" in the warnings refers to your mains-operated (corded) power tool or battery-operated (cordless) power tool.

JIG SAW SAFETY WARNINGS

- 1. Hold the power tool by insulated gripping surfaces, when performing an operation where the cutting accessory may contact hidden wiring or its own cord.** Cutting accessory contacting a "live" wire may make exposed metal parts of the power tool "live" and could give the operator an electric shock.
- 2. Use clamps or another practical way to secure and support the workpiece to a stable platform.** Holding the workpiece by hand or against your body leaves it unstable and may lead to loss of control.
- 3. Always use safety glasses or goggles. Ordinary eye or sun glasses are NOT safety glasses.**
- 4. Avoid cutting nails. Inspect workpiece for any nails and remove them before operation.**
- 5. Do not cut oversize workpiece.**
- 6. Check for the proper clearance beyond the workpiece before cutting so that the blade will not strike the floor, workbench, etc.**
- 7. Hold the tool firmly.**
- 8. Make sure the blade is not contacting the workpiece before the switch is turned on.**
- 9. Keep hands away from moving parts.**

10. Do not leave the tool running. Operate the tool only when hand-held.
11. Always switch off and wait for the blade to come to a complete stop before removing the blade from the workpiece.
12. Do not touch the blade or the workpiece immediately after operation; they may be extremely hot and could burn your skin.
13. Do not operate the tool at no-load unnecessarily.
14. Some material contains chemicals which may be toxic. Take caution to prevent dust inhalation and skin contact. Follow material supplier safety data.
15. Always use the correct dust mask/respirator for the material and application you are working with.

SAVE THESE INSTRUCTIONS.

⚠ WARNING:
DO NOT let comfort or familiarity with product (gained from repeated use) replace strict adherence to safety rules for the subject product. **MISUSE** or failure to follow the safety rules stated in this instruction manual may cause serious personal injury.

FUNCTIONAL DESCRIPTION

⚠ CAUTION:

- Always be sure that the tool is switched off and unplugged before adjusting or checking function on the tool.

Selecting the cutting action (For models 4328/4329) (Fig. 1)

This tool can be operated with an orbital or a straight line (up and down) cutting action. The orbital cutting action thrusts the blade forward on the cutting stroke and greatly increases cutting speed.

To change the cutting action, just turn the cutting action changing lever to the desired cutting action position. Refer to the table to select the appropriate cutting action.

| Position | Cutting action | Applications |
|----------|------------------------------|---|
| 0 | Straight line cutting action | For cutting mild steel, stainless steel and plastics. |
| | | For clean cuts in wood and plywood. |
| I | Small orbit cutting action | For cutting mild steel, aluminum and hard wood. |
| II | Medium orbit cutting action | For cutting wood and plywood. |
| | | For fast cutting in aluminum and mild steel. |
| III | Large orbit cutting action | For fast cutting in wood and plywood. |

006582

Switch action (Fig. 2)

⚠ CAUTION:

- Before plugging in the tool, always check to see that the switch trigger actuates properly and returns to the "OFF" position when released.

To start the tool, simply pull the switch trigger. Release the switch trigger to stop.

For continuous operation, pull the switch trigger and then push in the lock button.

To stop the tool from the locked position, pull the switch trigger fully, then release it.

Speed adjusting dial (For models 4327/4328/4329) (Fig. 3)

The tool speed can be infinitely adjusted between 500 and 3,100 strokes per minute by turning the adjusting dial. Higher speed is obtained when the dial is turned in the direction of number 6; lower speed is obtained when it is turned in the direction of number 1.

Refer to the table to select the proper speed for the workpiece to be cut. However, the appropriate speed may differ with the type or thickness of the workpiece. In general, higher speeds will allow you to cut workpieces faster but the service life of the blade will be reduced.

| Workpiece to be cut | Number on adjusting dial |
|---------------------|--------------------------|
| Wood | 5 – 6 |
| Mild steel | 3 – 6 |
| Stainless steel | 3 – 4 |
| Aluminum | 3 – 6 |
| Plastics | 1 – 4 |

006583

CAUTION:

- If the tool is operated continuously at low speeds for a long time, the motor will get overloaded and heated up.
- The speed adjusting dial can be turned only as far as 6 and back to 1. Do not force it past 6 or 1, or the speed adjusting function may no longer work.

ASSEMBLY

CAUTION:

- Always be sure that the tool is switched off and unplugged before carrying out any work on the tool.

Installing or removing saw blade (Fig. 4 & 5)

CAUTION:

- Always clean out all chips or foreign matter adhering to the blade and/or blade holder. Failure to do so may cause insufficient tightening of the blade, resulting in a serious personal injury.
- Do not touch the blade or the workpiece immediately after operation; they may be extremely hot and could burn your skin.
- Always secure the blade firmly. Insufficient tightening of the blade may cause blade breakage or serious personal injury.
- Use only B type blades. Using blades other than B type blades causes insufficient tightening of the blade, resulting in a serious personal injury.

To install the blade, loosen the bolt counterclockwise on the blade holder with the hex wrench.

With the blade teeth facing forward, insert the blade into the blade holder as far as it will go. Make sure that the back edge of the blade fits into the roller. Then tighten the bolt clockwise to secure the blade.

To remove the blade, follow the installation procedure in reverse.

NOTE:

- Occasionally lubricate the roller.

Hex wrench storage (Fig. 6)

When not in use, store the hex wrench as shown in the figure to keep it from being lost.

Adjusting roller (For models 4326/4327) (Fig. 7)

Loosen the bolt on the back of the tool base with the hex wrench. Move the retainer so that the roller contacts the blade lightly. Then tighten the bolt to secure the tool base and the retainer.

NOTE:

- Occasionally lubricate the roller.

Dust cover (Fig. 8)

CAUTION:

- Always wear safety goggles even when operating the tool with the dust cover lowered.

Lower the dust cover to prevent chips from flying. However, when making bevel cuts, raise it all the way.

OPERATION

CAUTION:

- Always hold the base flush with the workpiece. Failure to do so may cause blade breakage, resulting in a serious injury.
- Advance the tool very slowly when cutting curves or scrolling. Forcing the tool may cause a slanted cutting surface and blade breakage.

Turn the tool on without the blade making any contact and wait until the blade attains full speed. Then rest the tool base flat on the workpiece and gently move the tool forward along the previously marked cutting line. (Fig. 9)

Bevel cutting

CAUTION:

- Always be sure that the tool is switched off and unplugged before tilting the tool base.
- Raise the dust cover all the way before making bevel cuts.

With the base tilted, you can make bevel cuts at any angle between 0° and 45° (left or right). (Fig. 10)

Loosen the bolt on the back of the base with the hex wrench. Move the tool base so that the bolt is positioned in the center of the cross-shaped slot in the base. (Fig. 11)

Tilt the base until the desired bevel angle is obtained. The edge of the motor housing indicates the bevel angle by graduations. Then tighten the bolt to secure the base. (Fig. 12)

Front flush cuts (Fig. 13)

Loosen the bolt on the back of the tool base with the hex wrench, and slide the base all the way back. Then tighten the bolt to secure the tool base.

Cutouts

Cutouts can be made with either of two methods A or B.

A) Boring a starting hole

For internal cutouts without a lead-in cut from an edge, pre-drill a starting hole 12 mm or more in diameter. Insert the blade into this hole to start your cut. (Fig. 14)

B) Plunge cutting

You need not bore a starting hole or make a lead-in cut if you carefully do as follows.

- (1) Tilt the tool up on the front edge of the base with the blade point positioned just above the workpiece surface. (Fig. 15)
- (2) Apply pressure to the tool so that the front edge of the base will not move when you switch on the tool and gently lower the back end of the tool slowly.
- (3) As the blade pierces the workpiece, slowly lower the base of the tool down onto the workpiece surface.
- (4) Complete the cut in the normal manner.

Finishing edges (Fig. 16)

To trim edges or make dimensional adjustments, run the blade lightly along the cut edges.

Metal cutting

Always use a suitable coolant (cutting oil) when cutting metal. Failure to do so will cause significant blade wear. The underside of the workpiece can be greased instead of using a coolant.

Dust extraction (Fig. 17)

Clean cutting operations can be performed by connecting this tool to a Makita vacuum cleaner. Insert the hose of the vacuum cleaner into the hole at the rear of the tool. Lower the dust cover before operation.

NOTE:

- Dust extraction cannot be performed when making bevel cuts.

Rip fence (optional accessory)

⚠ CAUTION:

- Always be sure that the tool is switched off and unplugged before installing or removing accessories.

1. Straight cuts (Fig. 18, 19, 20 & 21)

When repeatedly cutting widths of 160 mm or less, use of the rip fence will assure fast, clean, straight cuts.

To install, insert the rip fence into the rectangular hole on the side of the base with the fence guide facing down. Slide the rip fence to the desired cutting width position, then tighten the bolt to secure it.

2. Circular cuts (Fig. 22, 23, 24 & 25)

When cutting circles or arcs of 170 mm or less in radius, install the rip fence as follows.

Insert the rip fence into the rectangular hole on the side of the base with the fence guide facing up. Insert the circular guide pin through either of the two holes on the fence guide. Screw the threaded knob onto the pin to secure the pin.

Now slide the rip fence to the desired cutting radius, and tighten the bolt to secure it in place. Then move the tool base all the way forward.

NOTE:

- Always use blades No. B-17, B-18, B-26 or B-27 when cutting circles or arcs.

Anti-splintering device for steel base (optional accessory) (Fig. 26)

For splinter-free cuts, the anti-splintering device can be used. To install the anti-splintering device, move the base all the way forward and insert it between the two protrusions of the base.

NOTE:

- The anti-splintering device cannot be used when making bevel cuts.

Anti-splintering device for aluminum base (optional accessory) (Fig. 27)

For splinter-free cuts, the anti-splintering device can be used. To install the anti-splintering device, move the tool base all the way forward and fit it from the back of tool base. When you use the cover plate, install the anti-splintering device onto the cover plate.

⚠ CAUTION:

- The anti-splintering device cannot be used when making bevel cuts.

Cover plate for aluminum base (optional accessory) (Fig. 28)

Use the cover plate when cutting decorative veneers, plastics, etc. It protects sensitive or delicate surfaces from damage. Fit it on the back of the tool base.

MAINTENANCE

⚠ CAUTION:

- Always be sure that the tool is switched off and unplugged before attempting to perform inspection or maintenance.
- Never use gasoline, benzene, thinner, alcohol or the like. Discoloration, deformation or cracks may result.

To maintain product SAFETY and RELIABILITY, repairs, carbon brush inspection and replacement, any other maintenance or adjustment should be performed by Makita Authorized Service Centers, always using Makita replacement parts.

OPTIONAL ACCESSORIES

⚠ CAUTION:

- These accessories or attachments are recommended for use with your Makita tool specified in this manual. The use of any other accessories or attachments might present a risk of injury to persons. Only use accessory or attachment for its stated purpose.

If you need any assistance for more details regarding these accessories, ask your local Makita service center.

- Jig saw blades
- Hex wrench 3
- Rip fence (guide rule) set
- Anti-splintering device
- Hose (For vacuum cleaner)
- Cover plate (For aluminum base type)

NOTE:

- Some items in the list may be included in the tool package as standard accessories. They may differ from country to country.

ENG905-1

Noise

The typical A-weighted noise level determined according to EN62841-2-11:

Model 4326, 4327

Sound pressure level (L_{pA}): 89 dB (A)

Sound power level (L_{WA}): 97 dB (A)

Uncertainty (K): 3 dB (A)

Model 4328, 4329

Sound pressure level (L_{pA}): 86 dB (A)

Sound power level (L_{WA}): 94 dB (A)

Uncertainty (K): 3 dB (A)

ENG907-1

NOTE:

- The declared noise emission value(s) has been measured in accordance with a standard test method and may be used for comparing one tool with another.
- The declared noise emission value(s) may also be used in a preliminary assessment of exposure.

⚠ WARNING:

- **Wear ear protection.**
- **The noise emission during actual use of the power tool can differ from the declared value(s) depending on the ways in which the tool is used especially what kind of workpiece is processed.**
- **Be sure to identify safety measures to protect the operator that are based on an estimation of exposure in the actual conditions of use (taking account of all parts of the operating cycle such as the times when the tool is switched off and when it is running idle in addition to the trigger time).**

Vibration

The vibration total value (tri-axial vector sum) determined according to EN62841-2-11:

Model 4326, 4327

Work mode: cutting boards

Vibration emission ($a_{h,B}$): 5.5 m/s²

Uncertainty (K): 1.5 m/s²

Work mode: cutting sheet metal

Vibration emission ($a_{h,M}$): 5.5 m/s²

Uncertainty (K): 1.5 m/s²

Model 4328, 4329

Work mode: cutting boards

Vibration emission ($a_{h,B}$): 7.0 m/s²

Uncertainty (K): 1.5 m/s²

Work mode: cutting sheet metal

Vibration emission ($a_{h,M}$): 5.0 m/s²

Uncertainty (K): 1.5 m/s²

ENG901-2

NOTE:

- The declared vibration total value(s) has been measured in accordance with a standard test method and may be used for comparing one tool with another.
- The declared vibration total value(s) may also be used in a preliminary assessment of exposure.

⚠ WARNING:

- **The vibration emission during actual use of the power tool can differ from the declared value(s) depending on the ways in which the tool is used especially what kind of workpiece is processed.**
- **Be sure to identify safety measures to protect the operator that are based on an estimation of exposure in the actual conditions of use (taking account of all parts of the operating cycle such as the times when the tool is switched off and when it is running idle in addition to the trigger time).**

DECLARATIONS OF CONFORMITY**For European countries only**

The Declarations of conformity are included in Annex A to this instruction manual.

Descriptif

| | | |
|--|----------------------|---------------------------------------|
| 1 Levier de sélection du type de coupe | 10 Ergot | 20 Guide parallèle (règle de guidage) |
| 2 Gâchette | 11 Guide | 21 Avec base d'aluminium |
| 3 Bouton de blocage | 12 Base | 22 Face du guide |
| 4 Molette de réglage de la vitesse | 13 Protecteur | 23 Guide de garde |
| 5 Tige porte-lame | 14 Trait de coupe | 24 Bouton fileté |
| 6 Boulon | 15 Bord | 25 Broche |
| 7 Clé hexagonale | 16 Graduation | 26 Dispositif anti-éclat |
| 8 Lame | 17 Trou d'amorce | 27 Parties saillantes |
| 9 Galet | 18 Tuyau | 28 Base d'aluminium |
| | 19 Avec base d'acier | 29 Plaque de recouvrement |

SPÉCIFICATIONS

| | | | | | |
|--|--------------------------------|--------------------------------|-------------|-------------|-------------|
| Modèle | | 4326 | 4327 | 4328 | 4329 |
| Longueur de course | | 18 mm | 18 mm | 18 mm | 18 mm |
| Type de lame | | Type B | | | |
| Capacité de coupe max. | Bois | 65 mm | 65 mm | 65 mm | 65 mm |
| | Acier doux | 6 mm | 6 mm | 6 mm | 6 mm |
| Nombre de courses/ mn (min ⁻¹) | | 3 100 | 500 – 3 100 | 500 – 3 100 | 500 – 3 100 |
| Longueur hors tout | 217 mm (Avec base d'acier) | 217 mm (Avec base d'acier) | 217 mm | 223 mm | |
| | 223 mm (Avec base d'aluminium) | 223 mm (Avec base d'aluminium) | | | |
| Poids net | | 1,9 kg | 1,9 kg | 1,8 kg | 1,9 kg |
| Niveau de sécurité | | ☐/II | | | |

- Étant donné l'évolution constante de notre programme de recherche et de développement, les spécifications contenues dans ce manuel sont sujettes à modification sans préavis.
- Les spécifications peuvent varier suivant les pays.
- Poids selon la procédure EPTA 01/2014

Utilisations

ENE019-1

L'outil est conçu pour la coupe des matériaux de bois, de plastique et de métal. L'étendue de la gamme d'accessoires et de lames disponibles permet d'utiliser l'outil à des fins multiples et le rend tout particulièrement adéquat aux coupes curvilignes et circulaires.

Conservez toutes les mises en garde et instructions pour référence ultérieure.

Le terme "outil électrique" dans les avertissements fait référence à l'outil électrique alimenté par le secteur (avec cordon d'alimentation) ou à l'outil électrique fonctionnant sur batterie (sans cordon d'alimentation).

GEB186-1

Alimentation

ENF002-2

L'outil ne devra être raccordé qu'à une alimentation de la même tension que celle qui figure sur la plaque signalétique, et il ne pourra fonctionner que sur un courant secteur monophasé. Réalisé avec une double isolation, il peut de ce fait être alimenté sans mise à la terre.

CONSIGNES DE SÉCURITÉ POUR SCIE SAUTEUSE

1. **Tenez l'outil électrique par une surface de prise isolée, lorsque vous effectuez une tâche où l'accessoire de coupe pourrait toucher un câblage caché ou son propre cordon d'alimentation.** Le contact de l'accessoire de découpe avec un fil sous tension peut transmettre du courant dans les pièces métalliques exposées de l'outil électrique et électrocuter l'utilisateur.
2. **Utilisez des dispositifs de serrage ou un autre moyen pratique pour fixer la pièce sur une surface de travail stable.** La pièce sera instable et vous risquez d'en perdre la maîtrise si vous la tenez dans vos mains ou l'appuyez contre votre corps.

GEA010-2

Consignes de sécurité générales pour outils électriques

⚠ AVERTISSEMENT Veuillez lire les consignes de sécurité, instructions, illustrations et spécifications qui accompagnent cet outil électrique. Le non-respect de toutes les instructions indiquées ci-dessous peut entraîner une électrocution, un incendie et/ou de graves blessures.

3. Portez toujours des lunettes de sécurité ou des lunettes à coques. Les lunettes ordinaires et les lunettes de soleil NE sont PAS des lunettes de sécurité.
4. Prenez garde aux clous pendant la coupe. Avant de commencer le travail, inspectez la pièce et retirez tous les clous.
5. Ne coupez pas des pièces trop grandes.
6. Avant d'effectuer la coupe, assurez-vous que le dévagement sous la pièce est suffisant pour que la lame ne heurte pas une surface dure (sol, étable, etc.).
7. Tenez l'outil fermement.
8. Assurez-vous que la lame n'est pas en contact avec la pièce avant de mettre l'outil en marche.
9. Gardez vos mains à l'écart des pièces en mouvement.
10. N'abandonnez pas l'outil alors qu'il tourne. Ne faites fonctionner l'outil qu'une fois que vous l'avez bien en main.
11. Avant de retirer la lame de la pièce, mettez toujours l'outil hors tension et attendez que la lame soit complètement immobilisée.
12. Ne touchez ni la lame ni la pièce immédiatement après la coupe ; elles peuvent être très chaudes et vous risquez de vous brûler.
13. Ne faites pas tourner l'outil à vide inutilement.
14. Certains matériaux contiennent des produits chimiques susceptibles d'être toxiques. Prenez garde de ne pas avaler la poussière et évitez tout contact avec la peau. Suivez les données de sécurité du fournisseur du matériau.
15. Portez toujours un masque antipoussières/un masque filtrant adapté au matériau travaillé et à l'application utilisée.

CONSERVEZ CES INSTRUCTIONS.

⚠ AVERTISSEMENT :

NE vous laissez PAS tromper (au fil d'une utilisation répétée) par un sentiment d'aisance et de familiarité avec le produit, en négligeant le respect rigoureux des consignes de sécurité qui accompagnent le produit en question. La MAUVAISE UTILISATION de l'outil ou l'ignorance des consignes de sécurité indiquées dans ce mode d'emploi peut entraîner de graves blessures.

DESCRIPTION DU FONCTIONNEMENT

⚠ ATTENTION :

- Assurez-vous toujours que l'outil est hors tension et débranché avant de l'ajuster ou de vérifier son fonctionnement.

Sélection du type de coupe (Pour les modèles 4328/4329) (Fig. 1)

L'outil peut effectuer des coupes orbitales ou des coupes en ligne droite (vers le haut et vers le bas). La coupe orbitale lance la lame vers l'avant sur la course de coupe et améliore grandement la vitesse de coupe.

Pour modifier le type de coupe, tournez simplement le levier de sélection du type de coupe sur la position correspondant au type de coupe voulu.

Reportez-vous au tableau pour sélectionner le type de coupe adéquat.

| Position | Type de coupe | Applications |
|----------|------------------------|--|
| 0 | Coupe en ligne droite | Pour la coupe d'acier doux, d'acier inoxydable et de matériaux en plastique. |
| | | Pour des coupes nettes dans du bois et du contreplaqué. |
| I | Coupe à petite orbite | Pour la coupe d'acier doux, d'aluminium et de bois dur. |
| II | Coupe à orbite moyenne | Pour la coupe de bois et de contreplaqué. |
| | | Pour des coupes rapides dans de l'aluminium et de l'acier doux. |
| III | Coupe à grande orbite | Pour la coupe rapide de bois et de contreplaqué. |

006582

Interrupteur (Fig. 2)

⚠ ATTENTION :

- Avant de brancher l'outil, vérifiez toujours que la gâchette fonctionne correctement et qu'elle revient sur la position "OFF" quand vous la relâchez.

Pour mettre l'outil en marche, tirez simplement sur la gâchette. Relâchez la gâchette pour l'arrêter.

Pour un sciage continu, tirez sur la gâchette et enfoncez le bouton de blocage.

Pour arrêter l'outil quand il fonctionne en position bloquée, tirez à fond sur la gâchette puis relâchez-la.

Molette de réglage de la vitesse

(Pour les modèles 4327/4328/4329) (Fig. 3)

Vous pouvez régler la vitesse de l'outil sur toute valeur comprise entre 500 et 3 100 courses par minute en tournant la molette de réglage. La vitesse augmente quand vous tournez la molette vers le chiffre 6, et elle diminue quand vous tournez la molette vers le chiffre 1.

Pour sélectionner la vitesse qui convient en fonction du matériau, voyez le tableau. Toutefois, la vitesse qui convient peut varier en fonction du type ou de l'épaisseur du matériau. En général, des vitesses rapides permettront de couper les matériaux plus rapidement, mais cela réduira la durée de service de la lame.

| Matériau à couper | Chiffre de la molette de réglage |
|---------------------|----------------------------------|
| Bois | 5 – 6 |
| Acier doux | 3 – 6 |
| Acier inoxydable | 3 – 4 |
| Aluminium | 3 – 6 |
| Matières plastiques | 1 – 4 |

006583

ATTENTION :

- Si l'outil est utilisé de manière continue à vitesse réduite sur une période prolongée, le moteur sera surchargé et chauffera.
- Vous ne pouvez pas tourner la molette de réglage de la vitesse plus loin que le chiffre 6 et le chiffre 1. Ne la tournez pas de force au-delà de ces chiffres, sinon elle risque de ne plus fonctionner.

ASSEMBLAGE

ATTENTION :

- Assurez-vous toujours que l'outil est hors tension et débranché avant d'effectuer tout travail dessus.

Pose et dépose de la lame de scie sauteuse (Fig. 4 et 5)

ATTENTION :

- Enlevez toujours les copeaux et autres corps étrangers qui adhèrent à la lame et/ou à la tige porte-lame. Sinon, la lame risque de ne pas être suffisamment serrée, ce qui pourrait provoquer de graves blessures.
- Ne touchez ni la lame ni la pièce travaillée immédiatement après l'opération ; elles peuvent être extrêmement chaudes et brûler votre peau.
- Serrez toujours la lame fermement. Une lame mal serrée risquerait de casser et d'entraîner une grave blessure.
- Utilisez uniquement des lames de type B. L'utilisation de lames de type autre que B risquerait de causer un serrage insuffisant de la lame et d'entraîner une grave blessure.

Pour installer la lame, desserrez le boulon sur le porte-lame en tournant dans le sens contraire des aiguilles d'une montre à l'aide de la clé hexagonale.

En orientant les dents de la lame vers l'avant, insérez la lame à fond dans le porte-lame. Assurez-vous que le bord arrière de la lame est bien aligné dans le rouleau. Serrez ensuite le boulon en tournant dans le sens des aiguilles d'une montre pour immobiliser la lame.

Pour retirer la lame, suivez la procédure d'installation en sens inverse.

NOTE :

- Lubrifiez de temps en temps le galet.

Rangement de la clé hexagonale (Fig. 6)

Après l'utilisation de la clé hexagonale, rangez-la tel qu'indiqué sur l'illustration pour éviter de la perdre.

Réglage du galet (Pour les modèles 4326/4327) (Fig. 7)

Desserrez le boulon au dos de la base de l'outil à l'aide de la clé hexagonale. Déplacez le guide de façon que le galet rentre légèrement en contact avec la lame. Puis, serrez le boulon pour fixer la base de l'outil et le guide.

NOTE :

- Lubrifiez de temps en temps le galet.

Protecteur (Fig. 8)

ATTENTION :

- Portez toujours des lunettes de sécurité, même si l'outil fonctionne avec le protecteur abaissé.

Abaissez le protecteur pour éviter que les copeaux ne volent. Néanmoins, pour effectuer des coupes en biais, il faudra le relever à fond.

UTILISATION

ATTENTION :

- Maintenez toujours la base de l'outil exactement au niveau du matériau. Sinon, vous risquez de briser la lame et de vous blesser grièvement.
- Faites avancer l'outil très lentement lors de la coupe de courbes ou de spirales. Le fait de forcer l'outil peut résulter en une surface de coupe oblique et entraîner le bris de la lame.

Mettez l'outil en marche alors que la lame ne touche à rien et attendez qu'elle ait atteint sa pleine vitesse. Puis, amenez la base en contact avec le matériau à scier, et déplacez normalement l'outil vers l'avant en suivant le trait marqué préalablement. (Fig. 9)

Coupe en biseau

ATTENTION :

- Assurez-vous toujours que le contact est coupé et l'outil débranché avant d'incliner la base de l'outil.
- Avant d'effectuer une coupe en biais, relevez complètement le cache-poussière.

En inclinant la base de l'outil, vous pouvez effectuer des coupes en biseau sur tout angle compris entre 0° et 45° (vers la gauche ou la droite). (Fig. 10)

Desserrez le boulon qui se trouve à l'arrière de la base de l'outil à l'aide de la clé hexagonale. Déplacez la base de l'outil de façon que le boulon se trouve au centre de la fente en forme de croix de la base de l'outil. (Fig. 11)

Inclinez la base de l'outil de façon à obtenir l'angle de biseau voulu. L'angle de coupe en biseau est indiqué par une graduation en degrés sur le bord du carter du moteur. Serrez ensuite le boulon pour immobiliser la base. (Fig. 12)

Sciage au ras d'un obstacle (Fig. 13)

Desserrez le boulon au dos de la base de l'outil à l'aide de la clé hexagonale, et reculez la base de l'outil à fond vers l'arrière. Puis, serrez le boulon pour fixer la base de l'outil.

Découpes

Les découpes s'effectuent suivant deux méthodes, A ou B.

A) Perçage d'un trou d'amorce

Pour les découpes internes sans entaille d'amorce sur le bord du matériau, percez à trou d'amorce de 12 mm de diamètre ou plus. Insérez la lame dans ce trou pour commencer la découpe. (Fig. 14)

B) Attaque en plein bois

Vous n'aurez pas besoin de percer un trou d'amorce ni de faire une entaille d'amorce si vous procédez délicatement comme suit.

- (1) Inclinez l'avant de l'outil vers l'avant sur le bord avant de la base, la lame étant placée juste au-dessus de la surface du matériau. (Fig. 15)
- (2) Appuyez sur l'outil de façon que le bord avant de la base ne bouge pas quand vous mettez l'outil en marche, et abaissez lentement et délicatement l'arrière de l'outil.
- (3) Lorsque la lame traverse le matériau, abaissez lentement la base de l'outil sur la surface du matériau.
- (4) Terminez la coupe normalement.

Finition des bords (Fig. 16)

Pour équarrir les bords ou faire des ajustements de dimension, passez légèrement la lame sur les bords de coupe.

Coupe de métal

Utilisez toujours un liquide de refroidissement (huile de coupe) pour couper du métal. Sinon, la lame s'usera très rapidement. Vous pouvez aussi enduire directement la face intérieure du matériau de graisse, au lieu d'utiliser un liquide de refroidissement.

Collecte de poussière (Fig. 17)

Pour travailler en toute propreté avec cet outil, raccordez-le à un aspirateur Makita. Insérez le tuyau de l'aspirateur dans l'orifice au dos de l'outil. Abaissez le cache-poussière avant de commencer le travail.

NOTE :

- La collecte de poussière n'est pas possible avec les coupes en biais.

Guide parallèle (accessoire en option)

⚠ ATTENTION :

- Assurez-vous toujours que le contact est coupé et l'outil débranché avant d'installer ou de retirer des accessoires.

1. Coupes droites (Fig. 18, 19, 20 et 21)

Pour couper régulièrement des largeurs égales ou inférieures à 160 mm, utilisez le guide parallèle pour obtenir des coupes rapides, nettes et droites.

Pour installer le guide parallèle, insérez-le dans l'orifice rectangulaire situé sur le côté de la base de l'outil, avec le guide parallèle tourné vers le bas. Positionnez le guide parallèle à la largeur de coupe voulue, puis vissez le boulon pour fixer le guide.

2. Coupes circulaires (Fig. 22, 23, 24 et 25)

Pour découper des arcs de cercle d'un rayon égal ou inférieur à 170 mm, installez le guide parallèle comme suit.

Insérez le guide parallèle dans l'orifice rectangulaire situé sur le côté de la base de l'outil, avec le guide parallèle tourné vers le haut. Insérez la goupille de guide circulaire dans l'un des deux trous du guide de garde. Vissez le boulon fileté sur la goupille pour fixer la goupille.

Puis, positionnez le guide parallèle sur le rayon de coupe voulu, et serrez le boulon pour fixer le guide. Ensuite, faites glisser la base de l'outil à fond vers l'avant.

NOTE :

- Utilisez toujours des lames No. B-17, B-18, B-26 ou B-27 pour découper des cercles ou des arcs de cercle.

Dispositif anti-éclat pour base d'acier (accessoire en option) (Fig. 26)

Vous pouvez utiliser le dispositif anti-éclat pour obtenir des coupes sans fente. Pour installer le dispositif anti-éclat, déplacez la base complètement vers l'avant et insérez le dispositif entre les deux parties saillantes de la base.

NOTE :

- L'utilisation du dispositif anti-éclat n'est pas possible lors des coupes en biseau.

Dispositif anti-éclat pour base d'aluminium (accessoire en option) (Fig. 27)

L'utilisation du dispositif anti-éclat permet d'obtenir des coupes sans éclats. Pour l'installer, déplacez la base de l'outil complètement vers l'avant, puis installez le dispositif par l'arrière de la base de l'outil. Lorsque vous utilisez la plaque de recouvrement, installez le dispositif anti-éclat sur cette dernière.

⚠ ATTENTION :

- Vous ne pouvez pas utiliser le dispositif anti-éclat lors des coupes en biais.

Plaque de recouvrement pour base d'aluminium (accessoire en option) (Fig. 28)

Utilisez la plaque de recouvrement lors de la coupe des matériaux décoratifs de placage, de plastique, etc. Cette plaque protège contre les dommages les surfaces fragiles ou délicates. Installez-la par l'arrière de la base de l'outil.

ENTRETIEN

⚠ ATTENTION :

- Assurez-vous toujours que l'outil est hors tension et débranché avant d'y effectuer tout travail d'inspection ou d'entretien.
- N'utilisez jamais d'essence, de benzine, de diluant, d'alcool ou produits similaires. Il y a risque de décoloration, de déformation ou de fissuration.

Pour maintenir la SÉCURITÉ et la FIABILITÉ du produit, les réparations, l'inspection et le remplacement des charbons, et tout autre travail d'entretien ou de réglage doivent être effectués dans un centre de service Makita agréé, exclusivement avec des pièces de rechange Makita.

ACCESSOIRES EN OPTION

⚠ ATTENTION :

- Les accessoires ou pièces supplémentaires qui suivent sont recommandés pour l'utilisation avec l'outil Makita spécifié dans ce manuel. L'utilisation de tout autre accessoire ou pièce supplémentaire peut comporter un risque de blessure. Utilisez uniquement l'accessoire ou la pièce supplémentaire dans le but spécifié.

Pour obtenir plus de détails sur ces accessoires, contactez votre Centre d'Entretien local Makita.

- Lame de scie sauteuse
- Clé hexagonale 3
- Ensemble de guide parallèle (règle de guidage)
- Dispositif anti-éclat
- Tuyau (Pour l'aspirateur)
- Plaque de recouvrement (Pour outil avec base d'aluminium)

NOTE :

- Il se peut que certains éléments de la liste soient compris dans l'emballage de l'outil en tant qu'accessoires standard. Ils peuvent varier d'un pays à l'autre.

ENG905-1

Bruit

Niveau de bruit pondéré A typique, déterminé selon EN62841-2-11 :

Modèle 4326, 4327

Niveau de pression sonore (L_{pA}) : 89 dB (A)
 Niveau de puissance sonore (L_{WA}) : 97 dB (A)
 Incertitude (K) : 3 dB (A)

Modèle 4328, 4329

Niveau de pression sonore (L_{pA}) : 86 dB (A)
 Niveau de puissance sonore (L_{WA}) : 94 dB (A)
 Incertitude (K) : 3 dB (A)

ENG907-1

NOTE :

- La ou les valeurs d'émission de bruit déclarées ont été mesurées conformément à la méthode de test standard et peuvent être utilisées pour comparer les outils entre eux.
- La ou les valeurs d'émission de bruit déclarées peuvent aussi être utilisées pour l'évaluation préliminaire de l'exposition.

⚠ AVERTISSEMENT :

- Porter des protecteurs anti-bruit.
- L'émission de bruit lors de l'usage réel de l'outil électrique peut être différente de la ou des valeurs déclarées, suivant la façon dont l'outil est utilisé, particulièrement selon le type de pièce usinée.
- Les mesures de sécurité à prendre pour protéger l'utilisateur doivent être basées sur une estimation de l'exposition dans des conditions réelles d'utilisation (en tenant compte de toutes les composantes du cycle d'utilisation, comme par exemple le moment de sa mise hors tension, lorsqu'il tourne à vide et le moment de son déclenchement).

Vibrations

Valeur totale de vibrations (somme de vecteur triaxial) déterminée selon EN62841-2-11 :

Modèle 4326, 4327

Mode de travail : coupe de panneaux
 Émission de vibrations ($a_{h, B}$) : 5,5 m/s²
 Incertitude (K) : 1,5 m/s²

Mode de travail : coupe de feuilles métalliques
 Émission de vibrations ($a_{h, M}$) : 5,5 m/s²
 Incertitude (K) : 1,5 m/s²

Modèle 4328, 4329

Mode de travail : coupe de panneaux
 Émission de vibrations ($a_{h, B}$) : 7,0 m/s²
 Incertitude (K) : 1,5 m/s²

Mode de travail : coupe de feuilles métalliques
 Émission de vibrations ($a_{h, M}$) : 5,0 m/s²
 Incertitude (K) : 1,5 m/s²

ENG901-2

NOTE :

- La ou les valeurs de vibration totales déclarées ont été mesurées conformément à la méthode de test standard et peuvent être utilisées pour comparer les outils entre eux.
- La ou les valeurs de vibration totales déclarées peuvent aussi être utilisées pour l'évaluation préliminaire de l'exposition.

⚠ AVERTISSEMENT :

- L'émission de vibrations lors de l'usage réel de l'outil électrique peut être différente de la ou des valeurs déclarées, suivant la façon dont l'outil est utilisé, particulièrement selon le type de pièce usinée.
- Les mesures de sécurité à prendre pour protéger l'utilisateur doivent être basées sur une estimation de l'exposition dans des conditions réelles d'utilisation (en tenant compte de toutes les composantes du cycle d'utilisation, comme par exemple le moment de sa mise hors tension, lorsqu'il tourne à vide et le moment de son déclenchement).

DÉCLARATIONS DE CONFORMITÉ

Pour les pays européens uniquement

Les déclarations de conformité sont fournies en Annexe A à ce mode d'emploi.

Übersicht

| | | | | | |
|----|-------------------------------|----|--|----|-----------------------|
| 1 | Schnittbewegung-Umschalthebel | 12 | Grundplatte | 22 | Führungsfläche |
| 2 | Schalter | 13 | Schutzhaube | 23 | Anschlagführung |
| 3 | Schalterarretierung | 14 | Schnittlinie | 24 | Gewindeknopf |
| 4 | Hubzahl-Stellrad | 15 | Kante | 25 | Stift |
| 5 | Sägeblattaufnahme | 16 | Teilstriche | 26 | Spanreißschutz |
| 6 | Innensechskantschraube | 17 | Vorböhrung | 27 | Führungsschiene |
| 7 | Innensechskantschlüssel | 18 | Schlauch | 28 | Aluminium-Grundplatte |
| 8 | Sägeblatt | 19 | Typ mit Stahl-Grundplatte | 29 | Gleitplatte |
| 9 | Führungsrolle | 20 | Parallelanschlag (führungslinealsatz) | | |
| 10 | Haken | 21 | Typ mit Aluminium-Grundplatte | | |
| 11 | Klemmstück | | | | |

TECHNISCHE DATEN

| | | | | | |
|---|------------|--|--|-------------|-------------|
| Modell | | 4326 | 4327 | 4328 | 4329 |
| Hubhöhe | | 18 mm | 18 mm | 18 mm | 18 mm |
| Sägeblatttyp | | Typ B | | | |
| Maximale Schnittiefe | Holz | 65 mm | 65 mm | 65 mm | 65 mm |
| | Weichstahl | 6 mm | 6 mm | 6 mm | 6 mm |
| Hubzahl pro Minute (min ⁻¹) | | 3 100 | 500 – 3 100 | 500 – 3 100 | 500 – 3 100 |
| Gesamtlänge | | 217 mm (Typ mit Stahl-Grundplatte) | 217 mm (Typ mit Stahl-Grundplatte) | 217 mm | 223 mm |
| | | 223 mm (Typ mit Aluminium-Grundplatte) | 223 mm (Typ mit Aluminium-Grundplatte) | | |
| Nettogewicht | | 1,9 kg | 1,9 kg | 1,8 kg | 1,9 kg |
| Sicherheitsklasse | | □/II | | | |

- Wir behalten uns vor, Änderungen im Zuge der Entwicklung und des technischen Fortschritts ohne vorherige Ankündigung vorzunehmen.
- Die technischen Daten können von Land zu Land abweichen.
- Gewicht nach EPTA-Verfahren 01/2014

ENE019-1

Vorgesehene Verwendung

Diese Maschine ist für das Sägen von Holz, Kunststoff und Metall vorgesehen. Dank des umfangreichen Zubehör- und Sägeblattprogramms kann die Maschine für viele Zwecke eingesetzt werden und eignet sich ideal für Bogen- oder Kreisschnitte.

ENF002-2

Netzanschluss

Die Maschine darf nur an die auf dem Typenschild angegebene Spannung angeschlossen werden und arbeitet nur mit Einphasen-Wechselspannung. Sie ist doppelt schutzisoliert und kann daher auch an Steckdosen ohne Erdanschluss betrieben werden.

GEA010-2

Allgemeine Sicherheitswarnungen für Elektrowerkzeuge

⚠️ WARNUNG Lesen Sie alle mit diesem Elektrowerkzeug gelieferten Sicherheitswarnungen, Anweisungen, Abbildungen und technischen Daten durch. Eine Missachtung der unten aufgeführten Anweisungen kann zu einem elektrischen Schlag, Brand und/oder schweren Verletzungen führen.

Bewahren Sie alle Warnungen und Anweisungen für spätere Bezugnahme auf.

Der Ausdruck "Elektrowerkzeug" in den Warnhinweisen bezieht sich auf Ihr mit Netzstrom (mit Kabel) oder Akku (ohne Kabel) betriebenes Elektrowerkzeug.

GEB186-1

SICHERHEITSWARNUNGEN FÜR STICHSÄGEN

- 1. Halten Sie das Elektrowerkzeug nur an den isolierten Griffflächen, wenn Sie Arbeiten ausführen, bei denen die Gefahr besteht, dass verborgene Kabel oder das eigene Kabel kontaktiert werden.** Bei Kontakt mit einem Strom führenden Kabel können die freiliegenden Metallteile des Elektrowerkzeugs ebenfalls Strom führend werden, so dass der Benutzer einen elektrischen Schlag erleiden kann.
- 2. Verwenden Sie Klemmen oder eine andere praktische Methode, um das Werkstück auf einer stabilen Unterlage zu sichern und abzustützen.** Wenn Sie das Werkstück nur von Hand oder gegen Ihren Körper halten, befindet es sich in einer instabilen Lage, die zum Verlust der Kontrolle führen kann.

3. Tragen Sie stets eine Sicherheits- oder Schutzbrille. Eine gewöhnliche Brille oder Sonnenbrille ist KEIN Ersatz für eine Sicherheitsbrille.
4. Vermeiden Sie das Schneiden von Nägeln. Untersuchen Sie das Werkstück auf Nägel, und entfernen Sie diese vor der Bearbeitung.
5. Schneiden Sie keine übergroßen Werkstücke.
6. Vergewissern Sie sich vor dem Schneiden, dass genügend Platz hinter dem Werkstück vorhanden ist, damit das Sägeblatt nicht auf den Boden, die Werkbank usw. trifft.
7. Halten Sie das Werkzeug mit festem Griff.
8. Vergewissern Sie sich vor dem Einschalten des Werkzeugs, dass das Sägeblatt nicht das Werkstück berührt.
9. Halten Sie die Hände von beweglichen Teilen fern.
10. Lassen Sie das Werkzeug nicht unbeaufsichtigt laufen. Benutzen Sie das Werkzeug nur im handgeführten Einsatz.
11. Schalten Sie das Werkzeug stets aus, und warten Sie, bis das Sägeblatt zum vollständigen Stillstand kommt, bevor Sie das Sägeblatt aus dem Werkstück entfernen.
12. Vermeiden Sie eine Berührung des Sägeblatts oder des Werkstücks unmittelbar nach der Bearbeitung, weil sie dann möglicherweise noch sehr heiß sind und Hautverbrennungen verursachen können.
13. Lassen Sie das Werkzeug nicht unnötig im Leerlauf laufen.
14. Manche Materialien können giftige Chemikalien enthalten. Treffen Sie Vorsichtsmaßnahmen, um das Einatmen von Arbeitsstaub und Hautkontakt zu verhüten. Befolgen Sie die Sicherheitsdaten des Materiallieferanten.
15. Verwenden Sie stets die korrekte Staubschutz-/Atemmaske für das jeweilige Material und die Anwendung.

DIESE ANWEISUNGEN AUFBEWAHREN.

⚠️ WARNUNG:
Lassen Sie sich NICHT durch Bequemlichkeit oder Vertrautheit mit dem Produkt (durch wiederholten Gebrauch erworben) von der strikten Einhaltung der Sicherheitsregeln für das vorliegende Produkt abhalten. MISSBRAUCH oder Missachtung der Sicherheitsvorschriften in dieser Anleitung können schwere Personenschäden verursachen.

FUNKTIONSBESCHREIBUNG

⚠️ VORSICHT:

- Vergewissern Sie sich vor jeder Einstellung oder Funktionsprüfung der Maschine stets, dass sie ausgeschaltet und vom Stromnetz getrennt ist.

Wahl der Schnittbewegung (Für Modelle 4328/4329) (Abb. 1)

Diese Maschine kann mit Pendelhub oder Linearhub (gerade Auf-Ab-Bewegung) betrieben werden. Bei Pendelhub wird das Sägeblatt im Schnitthub vorwärts geschoben, wodurch erheblich höhere Schnittgeschwindigkeiten möglich sind.

Zum Umschalten der Schnittbewegung drehen Sie einfach den Umschalthebel auf die Position der gewünschten Schnittbewegung.

Wählen Sie die geeignete Schnittbewegung anhand der Tabelle aus.

| Position | Schnittbewegung | Anwendungen |
|----------|-----------------------------|---|
| 0 | Geradlinige Schnittbewegung | Zum Schneiden von Weichstahl, Edelstahl und Kunststoff. |
| | | Für saubere Schnitte in Holz und Sperrholz. |
| I | Kleiner Pendelhub | Zum Schneiden von Weichstahl, Aluminium und Hartholz. |
| II | Mittlerer Pendelhub | Zum Schneiden von Holz und Sperrholz. |
| | | Für schnelles Schneiden von Aluminium und Weichstahl. |
| III | Großer Pendelhub | Für schnelles Schneiden von Holz und Sperrholz. |

006582

Schalterfunktion (Abb. 2)

⚠️ VORSICHT:

- Überprüfen Sie vor dem Anschließen der Maschine an das Stromnetz stets, ob der Schalter ordnungsgemäß funktioniert und beim Loslassen in die "AUS"-Stellung zurückkehrt.

Zum Einschalten der Maschine einfach den Schalter drücken. Zum Ausschalten den Schalter loslassen.

Für Dauerbetrieb den Schalter drücken, und dann die Schalterarretierung hineindrücken.

Zum Ausrasten der Schalterarretierung den Elektronikschalter ganz hineindrücken und dann loslassen.

Hubzahl-Stellrad (Für Modelle 4327/4328/4329) (Abb. 3)

Die Hubzahl kann durch Drehen des Hubzahl-Stellrads zwischen 500 und 3.100 Hüben pro Minute eingestellt werden. Auf dem Hubzahl-Stellrad sind die Positionen 1 (niedrigste Hubzahl) bis 6 (höchste Hubzahl) markiert. Hinweise auf die richtige, werkstoffgerechte Hubzahl entnehmen Sie der Tabelle. Die geeignete Hubzahl kann jedoch je nach Art und Dicke des Werkstücks unterschiedlich sein. Höhere Hubzahlen ermöglichen im allgemeinen schnelleres Sägen von Werkstücken, bewirken aber auch eine Verkürzung der Lebensdauer des Sägeblatts.

| Werkstoff | Hubzahl-Einstellung |
|------------|---------------------|
| Holz | 5 – 6 |
| Weichstahl | 3 – 6 |
| Edelstahl | 3 – 4 |
| Aluminium | 3 – 6 |
| Kunststoff | 1 – 4 |

006583

VORSICHT:

- Wird die Maschine über längere Zeitspannen im Dauerbetrieb mit niedriger Drehzahl betrieben, wird der Motor überlastet und überhitzt.
- Das Hubzahl-Stellrad lässt sich nur bis zur Position 6 vor- und bis zur Position 1 zurückdrehen. Drehen Sie es nicht gewaltsam über die Position 6 oder 1 hinaus, weil sonst eine genaue Einstellung der Hubzahl nicht mehr möglich ist.

MONTAGE

VORSICHT:

- Vergewissern Sie sich vor der Ausführung von Arbeiten an der Maschine stets, dass sie ausgeschaltet und vom Stromnetz getrennt ist.

Montage/Demontage des Sägeblatts (Abb. 4 u. 5)

VORSICHT:

- Säubern Sie Sägeblatt und/oder Sägeblatthalter stets von anhaftenden Spänen oder Fremdkörpern. Anderenfalls besteht die Gefahr, dass das Sägeblatt nicht richtig sitzt, was zu schweren Verletzungen führen kann.
- Vermeiden Sie eine Berührung des Sägeblatts oder des Werkstücks unmittelbar nach der Bearbeitung, weil sie dann noch sehr heiß sind und Hautverbrennungen verursachen können.
- Ziehen Sie das Sägeblatt stets fest an. Unzureichendes Anziehen des Sägeblatts kann zu Sägeblattbruch oder schweren Körperverletzungen führen.
- Verwenden Sie nur Sägeblätter des Typs B. Die Verwendung von anderen Sägeblättern außer solchen des Typs B verursacht unzureichende Befestigung des Sägeblatts, was zu schweren Körperverletzungen führen kann.

Zum Montieren des Sägeblatts die Schraube am Sägeblatthalter mit dem Inbusschlüssel durch Drehen entgegen dem Uhrzeigersinn lösen.

Das Sägeblatt mit den Zähnen nach vorn weisend bis zum Anschlag in den Sägeblatthalter einführen. Vergewissern Sie sich, dass die Hinterkante des Sägeblatts in der Rolle sitzt. Dann die Schraube zur Sicherung des Sägeblatts im Uhrzeigersinn festziehen.

Zum Demontieren des Sägeblatts ist das Montageverfahren umgekehrt anzuwenden.

HINWEIS:

- Schmieren Sie die Führungsrolle von Zeit zu Zeit.

Inbusschlüssel-Aufbewahrung (Abb. 6)

Der Inbusschlüssel kann an der in der Abbildung gezeigten Stelle aufbewahrt werden, damit er nicht verloren geht.

Einstellen der Führungsrolle (Für Modelle 4326/4327) (Abb. 7)

Lösen Sie die Schraube auf der Rückseite der Grundplatte mit dem Innensechskantschlüssel. Verschieben Sie das Klemmstück, so dass die Rolle das Sägeblatt leicht berührt. Ziehen Sie dann die Schraube zur Befestigung von Grundplatte und Klemmstück an.

HINWEIS:

- Die Führungsrolle von Zeit zu Zeit schmieren.

Schutzhaube (Abb. 8)

VORSICHT:

- Tragen Sie stets eine Schutzbrille, wenn Sie die Stichsäge mit abgelenkter Schutzhaube betreiben.

Senken Sie die Schutzhaube ab, um Herausfliegen von Spänen zu verhüten. Zum Ausführen von Gehrungsschnitten muss sie jedoch ganz angehoben werden.

BETRIEB

VORSICHT:

- Setzen Sie die Grundplatte der Stichsäge stets flach auf das Werkstück auf. Anderenfalls besteht die Gefahr eines Sägeblattbruchs, was zu schweren Verletzungen führen kann.
- Schieben Sie die Maschine beim Kurvenschneiden oder Dekupieren sehr langsam vor. Gewaltiges Vorschieben der Maschine kann zu einer schiefen Schnittfläche oder Sägeblattbruch führen.

Schalten Sie die Maschine ein, ohne dass das Sägeblatt Kontakt hat, und warten Sie, bis sie ihre volle Hubzahl erreicht. Setzen Sie die Grundplatte flach auf das Werkstück, und bewegen Sie die Maschine entlang der vorher markierten Schnittlinie sachte vorwärts. (Abb. 9)

Gehrungsschnitte

VORSICHT:

- Vergewissern Sie sich vor dem Kippen der Grundplatte stets, dass die Maschine ausgeschaltet und vom Netz getrennt ist.
- Heben Sie die Schutzhaube bei Gehrungsschnitten bis zum Anschlag.

Durch Neigen der Grundplatte können Gehrungsschnitte in jedem Winkel zwischen 0° und 45° (links oder rechts) ausgeführt werden. (Abb. 10)

Lösen Sie die Schraube an der Rückseite der Grundplatte mit dem Inbusschlüssel. Verschieben Sie die Grundplatte so, dass sich die Innensechskantschraube in der Mitte des Kreuzschlitzes in der Grundplatte befindet. (Abb. 11)

Neigen Sie die Grundplatte, bis der gewünschte Winkel erreicht ist. Die Kante des Motorgehäuses kennzeichnet den Neigungswinkel mit Teilstrichen. Dann die Schraube zur Befestigung der Grundplatte festziehen. (Abb. 12)

Randnahe Schnitte (Abb. 13)

Lösen Sie die Innensechskantschraube an der Unterseite der Maschine und schieben Sie die Grundplatte bis zum Anschlag zurück. Ziehen Sie anschließend die Innensechskantschraube zur Befestigung der Grundplatte wieder an.

Ausschnitte

Es gibt zwei Möglichkeiten A oder B, Ausschnitte durchzuführen.

A) Vorbohren

Bei Innenausschnitten ohne Zuführschnitt von einer Kante aus machen Sie eine Vorbohrung von ca. 12 mm Durchmesser. Das Sägeblatt in diese Öffnung einführen und mit dem Sägen beginnen. (Abb. 14)

B) Tauchschnitte

Um Schnitte ohne Vorbohren oder Zuführschnitt auszuführen, gehen Sie wie folgt vor.

- (1) Die Stichsäge auf der Vorderkante der Grundplatte kippen, so dass die Sägeblattspitze dicht über der Oberfläche des Werkstücks liegt. (Abb. 15)
- (2) Druck auf die Stichsäge ausüben, damit die Vorderkante der Grundplatte nicht verrutscht, wenn die Stichsäge eingeschaltet und das hintere Ende langsam abgesenkt wird.
- (3) Sobald das Sägeblatt in das Werkstück eindringt, die Grundplatte langsam auf die Oberfläche des Werkstücks absenken.
- (4) Den Schnitt in gewohnter Weise beenden.

Bearbeitung von Kanten (Abb. 16)

Um Kanten nachzuarbeiten oder Maßkorrekturen vorzunehmen, das Sägeblatt leicht an den Schnittkanten entlangführen.

Schneiden von Metall

Beim Schneiden von Metall stets ein geeignetes Kühlmittel (Schneidöl) verwenden. Nichtbeachtung verursacht erheblichen Verschleiß des Sägeblatts. Anstelle von Kühlmittel kann auch die Unterseite des Werkstücks eingefettet werden.

Staubabsaugung (Abb. 17)

Durch den Anschluss dieser Maschine an ein Absauggerät wird staubarmes Arbeiten ermöglicht. Schließen Sie den Schlauch eines Absauggerätes an den Absaugstutzen an. Senken Sie die Schutzhaube vor dem Betrieb ab.

HINWEIS:

- Bei Gehrungsschnitten ist keine Staubabsaugung möglich.

Parallelenschlag (Sonderzubehör)

⚠ VORSICHT:

- Vergewissern Sie sich vor dem Montieren oder Demonstrieren von Zubehör stets, dass die Maschine ausgeschaltet und vom Netz getrennt ist.

1. Gerade Schnitte (Abb. 18, 19, 20 u. 21)

Bei wiederholtem Schneiden von Breiten kleiner als 160 mm gewährleistet der Parallelenschlag schnelle, saubere und gerade Schnitte.

Führen Sie den Parallelenschlag in die rechteckige Öffnung an der Seite der Grundplatte ein, so dass die Anschlagführung nach unten gerichtet ist. Schieben Sie den Parallelenschlag zur Position der gewünschten Schnittbreite, und ziehen Sie dann die Schraube zur Befestigung an.

2. Kreisschnitte (Abb. 22, 23, 24 u. 25)

Um Kreis- oder Bogenschnitte von weniger als 170 mm Radius durchzuführen, montieren Sie den Parallelenschlag wie folgt.

Führen Sie den Parallelenschlag in die rechteckige Öffnung an der Seite der Grundplatte ein, so dass die Anschlagführung nach oben gerichtet ist. Setzen Sie den Dorn des Kreisschneiders in eine der beiden Bohrungen in der Anschlagführung ein, und sichern Sie ihn mit dem Gewindeknopf.

Schieben Sie nun den Parallelenschlag zu dem gewünschten Schnittradius, und ziehen Sie die Schraube zur Befestigung an. Schieben Sie dann die Grundplatte der Maschine ganz nach vorn.

HINWEIS:

- Verwenden Sie stets die Sägeblätter Nr. B-17, B-18, B-26 oder B-27 für kreis- oder bogenförmige Schnitte.

Splitterschutz für Stahl-Grundplatte

(Sonderzubehör) (Abb. 26)

Für splitterfreie Schnitte kann der Splitterschutz verwendet werden. Zum Montieren des Splitterschutzes die Grundplatte ganz nach vorn schieben, und die Vorrichtung zwischen die zwei Vorsprünge der Grundplatte einführen.

HINWEIS:

- Bei der Durchführung von Neigungsschnitten kann der Splitterschutz nicht verwendet werden.

Splitterschutz für Aluminium-Grundplatte

(Sonderzubehör) (Abb. 27)

Um splitterfreie Schnitte auszuführen, empfiehlt sich die Verwendung des Spanreißschutzes. Schieben Sie die Grundplatte bis zum Anschlag nach vorne, und montieren Sie den Spanreißschutz von der Unterseite der Grundplatte. Wenn Sie die Gleitplatte verwenden, montieren Sie den Spanreißschutz auf die Gleitplatte.

⚠ VORSICHT:

- Bei Gehrungsschnitten kann der Spanreißschutz nicht verwendet werden.

Abdeckplatte für Aluminium-Grundplatte

(Sonderzubehör) (Abb. 28)

Verwenden Sie die Gleitplatte zum Schneiden von dekorativen Furnieren, Kunststoffen usw. Sie schützt empfindliche oder feine Oberflächen vor Beschädigung. Passen Sie die Gleitplatte auf die Unterseite der Grundplatte.

WARTUNG

⚠ VORSICHT:

- Denken Sie vor der Durchführung von Überprüfungen oder Wartungsarbeiten stets daran, die Maschine auszuschalten und vom Stromnetz zu trennen.
- Verwenden Sie auf keinen Fall Benzin, Benzol, Verdüner, Alkohol oder dergleichen. Solche Mittel können Verfärbung, Verformung oder Rissbildung verursachen.

Um die SICHERHEIT und ZUVERLÄSSIGKEIT dieses Produkts aufrechtzuerhalten, sollten Reparaturen, Überprüfung und Austausch der Kohlebürsten und andere Wartungs- oder Einstellarbeiten nur von Makita-Kundendienstzentren unter ausschließlicher Verwendung von Makita-Originalersatzteilen ausgeführt werden.

SONDERZUBEHÖR

⚠ VORSICHT:

- Die folgenden Zubehörteile oder Vorrichtungen werden für den Einsatz mit der in dieser Anleitung beschriebenen Makita-Maschine empfohlen. Die Verwendung anderer Zubehörteile oder Vorrichtungen kann eine Verletzungsgefahr darstellen. Verwenden Sie Zubehörteile oder Vorrichtungen nur für ihren vorgesehenen Zweck.

Wenn Sie weitere Einzelheiten bezüglich dieser Zubehörteile benötigen, wenden Sie sich bitte an Ihre Makita-Kundendienststelle.

- Sägeblatt
- Inbusschlüssel 3
- Parallellanschlagsatz (führungslinealsatz)
- Spanreißschutz
- Schlauch (Für Staubsauger)
- Gleitplatte (Für Typ mit Aluminium-Grundplatte)

HINWEIS:

- Manche Teile in der Liste können als Standardzubehör im Werkzeugsatz enthalten sein. Sie können von Land zu Land unterschiedlich sein.

ENG905-1

Geräusch

Typischer A-bewerteter Geräuschpegel ermittelt gemäß EN62841-2-11:

Modell 4326, 4327

Schalldruckpegel (L_{pA}): 89 dB (A)
Schalleistungspegel (L_{WA}): 97 dB (A)
Ungewissheit (K): 3 dB (A)

Modell 4328, 4329

Schalldruckpegel (L_{pA}): 86 dB (A)
Schalleistungspegel (L_{WA}): 94 dB (A)
Ungewissheit (K): 3 dB (A)

ENG907-1

HINWEIS:

- Der (Die) angegebene(n) Schallemissionswert(e) wurde(n) im Einklang mit der Standardprüfmethode gemessen und kann (können) für den Vergleich zwischen Werkzeugen herangezogen werden.
- Der (Die) angegebene(n) Schallemissionswert(e) kann (können) auch für eine Vorbewertung des Gefährdungsgrads verwendet werden.

⚠ WARNUNG:

- **Gehörschutz tragen.**
- **Die Schallemission während der tatsächlichen Benutzung des Elektrowerkzeugs kann je nach der Benutzungsweise des Werkzeugs (besonders je nach der Art des Werkstücks) von dem (den) angegebenen Wert(en) abweichen.**
- **Identifizieren Sie Sicherheitsmaßnahmen zum Schutz des Benutzers anhand einer Schätzung des Gefährdungsgrads unter den tatsächlichen Benutzungsbedingungen (unter Berücksichtigung aller Phasen des Arbeitszyklus, wie z. B. Ausschalt- und Leerlaufzeiten der Maschine zusätzlich zur Betriebszeit).**

ENG900-1

Vibration

Vibrationsgesamtwert (Drei-Achsen-Vektorsumme) ermittelt gemäß EN62841-2-11:

Modell 4326, 4327

Arbeitsmodus: Schneiden von Brettern
Vibrationsemission ($a_{h,M}$): 5,5 m/s²
Ungewissheit (K): 1,5 m/s²

Arbeitsmodus: Schneiden von Blechen
Vibrationsemission ($a_{h,M}$): 5,5 m/s²
Ungewissheit (K): 1,5 m/s²

Modell 4328, 4329

Arbeitsmodus: Schneiden von Brettern
Vibrationsemission ($a_{h,M}$): 7,0 m/s²
Ungewissheit (K): 1,5 m/s²

Arbeitsmodus: Schneiden von Blechen
Vibrationsemission ($a_{h,M}$): 5,0 m/s²
Ungewissheit (K): 1,5 m/s²

ENG901-2

HINWEIS:

- Der (Die) angegebene(n) Vibrationsgesamtwert(e) wurde(n) im Einklang mit der Standardprüfmethode gemessen und kann (können) für den Vergleich zwischen Werkzeugen herangezogen werden.
- Der (Die) angegebene(n) Vibrationsgesamtwert(e) kann (können) auch für eine Vorbewertung des Gefährdungsgrads verwendet werden.

⚠ WARNUNG:

- **Die Schwingungsemission während der tatsächlichen Benutzung des Elektrowerkzeugs kann je nach der Benutzungsweise des Werkzeugs (besonders je nach der Art des Werkstücks) von dem (den) angegebenen Emissionswert(en) abweichen.**
- **Identifizieren Sie Sicherheitsmaßnahmen zum Schutz des Benutzers anhand einer Schätzung des Gefährdungsgrads unter den tatsächlichen Benutzungsbedingungen (unter Berücksichtigung aller Phasen des Arbeitszyklus, wie z. B. Ausschalt- und Leerlaufzeiten der Maschine zusätzlich zur Betriebszeit).**

KONFORMITÄTSERKLÄRUNGEN

Nur für europäische Länder

Die Konformitätserklärungen sind in Anhang A dieser Betriebsanleitung enthalten.

Visione generale

| | | | | | |
|----|--------------------------------|----|---------------------------------|----|-----------------------------|
| 1 | Leva di cambio modo di taglio | 11 | Fermo | 21 | Tipo base alluminio |
| 2 | Grilletto interruttore | 12 | Base | 22 | Guida laterale |
| 3 | Bottone di bloccaggio | 13 | Coperchio antipolvere | 23 | Guida riparo |
| 4 | Ghiera di regolazione velocità | 14 | Linea di taglio | 24 | Pomello filettato |
| 5 | Portalama | 15 | Bordo | 25 | Perno |
| 6 | Bullone | 16 | Graduazioni | 26 | Dispositivo antisceglimento |
| 7 | Chiave esagonale | 17 | Foro iniziale | 27 | Sporgenze |
| 8 | Lama | 18 | Manicotto | 28 | Base alluminio |
| 9 | Rullino | 19 | Tipo base acciaio | 29 | Piastra di protezione |
| 10 | Gancio | 20 | Guida pezzo (righello di guida) | | |

DATI TECNICI

| | | | | | |
|--------------------------------------|---------------|---------------------------------|---------------------------------|-------------|-------------|
| Modello | | 4326 | 4327 | 4328 | 4329 |
| Lunghezza corsa | | 18 mm | 18 mm | 18 mm | 18 mm |
| Tipo lama | | Tipo B | | | |
| Capacità massima di taglio | Legno | 65 mm | 65 mm | 65 mm | 65 mm |
| | Acciaio dolce | 6 mm | 6 mm | 6 mm | 6 mm |
| Corse al minuto (min ⁻¹) | | 3.100 | 500 – 3.100 | 500 – 3.100 | 500 – 3.100 |
| Lunghezza totale | | 217 mm (Tipo base acciaio) | 217 mm (Tipo base acciaio) | 217 mm | 223 mm |
| | | 223 mm (Tipo base alluminio) | 223 mm (Tipo base alluminio) | | |
| Peso netto | | 1,9 kg | 1,9 kg | 1,8 kg | 1,9 kg |
| Classe di sicurezza | | II/II | | | |

- Per il nostro programma di ricerca e sviluppo continui, i dati tecnici sono soggetti a modifiche senza preavviso.
- I dati tecnici potrebbero differire a seconda del paese di destinazione del modello.
- Peso in base alla procedura EPTA 01/2014

Utilizzo previsto

L'utensile va usato per il taglio di legno, plastica e materiali metallici. Grazie alla vasta gamma di accessori e lame, l'utensile può essere usato in svariate applicazioni ed è particolarmente adatto per praticare tagli curvi o circolari.

ENE019-1

Il termine "utensile elettrico" nelle avvertenze si riferisce sia all'utensile elettrico (cablato) nel funzionamento alimentato da rete elettrica che all'utensile elettrico (a batteria) nel funzionamento alimentato a batteria.

GEB186-1

Alimentazione

L'utensile deve essere collegato ad una presa di corrente con la stessa tensione indicata sulla targhetta del nome, e può funzionare soltanto con la corrente alternata monofase. Esso ha un doppio isolamento, per cui può essere usato con le prese di corrente sprovviste della messa a terra.

ENF002-2

GEA010-2

Avvertenze generali relative alla sicurezza dell'utensile elettrico

⚠ AVVERTIMENTO Leggere tutte le avvertenze di sicurezza, le istruzioni, le illustrazioni e i dati tecnici forniti con il presente utensile elettrico. La mancata osservanza di tutte le istruzioni elencate di seguito potrebbe risultare in scosse elettriche, incendi e/o gravi lesioni personali.

Conservare tutte le avvertenze e le istruzioni come riferimento futuro.

AVVERTENZE RELATIVE ALLA SICUREZZA DEL SEGNETTO ALTERNATIVO

1. **Tenere l'utensile elettrico per le superfici di impugnatura isolate, quando si esegue un'operazione in cui l'accessorio di taglio potrebbe entrare in contatto con fili elettrici nascosti o con il proprio cavo di alimentazione.** Un accessorio di taglio che entri in contatto con un filo elettrico sotto tensione potrebbe mettere sotto tensione le parti metalliche esposte dell'utensile elettrico e causare una scossa elettrica all'operatore.
2. **Utilizzare una morsa o un altro sistema pratico per fissare e supportare il pezzo in lavorazione su un piano stabile.** Il pezzo mantenuto con la mano o contro il corpo resta instabile, e potrebbe causare una perdita di controllo.
3. **Utilizzare sempre occhiali oppure occhiali di protezione. I comuni occhiali da vista o da sole NON sono occhiali di protezione.**

4. Evitare di tagliare chiodi. Ispezionare il pezzo in lavorazione e, in presenza di eventuali chiodi, rimuoverli prima di procedere.
5. Non tagliare pezzi eccessivamente grandi.
6. Verificare che sia presente uno spazio sufficiente al di là del pezzo in lavorazione, prima di tagliarlo, in modo che la lama non colpisca il pavimento, il banco da lavoro, e così via.
7. Mantenere saldamente l'utensile.
8. Accertarsi che la lama non sia in contatto con il pezzo in lavorazione, prima di attivare l'interruttore.
9. Tenere le mani lontane dalle parti mobili.
10. Non lasciare l'utensile mentre è in funzione. Far funzionare l'utensile solo mentre viene tenuto in mano.
11. Spegnerne sempre l'utensile e attendere che la lama si sia arrestata completamente, prima di rimuoverla dal pezzo in lavorazione.
12. Non toccare la lama o il pezzo in lavorazione subito dopo l'operazione; la loro temperatura potrebbe essere estremamente elevata e potrebbero causare ustioni.
13. Non far funzionare inutilmente l'utensile a vuoto.
14. Alcuni materiali contengono sostanze chimiche che potrebbero essere tossiche. Fare attenzione a evitare l'inalazione delle polveri e il loro contatto con la pelle. Attenersi ai dati sulla sicurezza del fornitore dei materiali.
15. Usare sempre la mascherina antipolvere o il respiratore adatti al materiale e all'applicazione con cui si intende lavorare.

CONSERVARE LE PRESENTI ISTRUZIONI.

⚠ AVVERTIMENTO:

NON lasciare che comodità o la familiarità d'utilizzo con il prodotto (acquisita con l'uso ripetuto) sostituisca la stretta osservanza delle norme di sicurezza per il prodotto in questione. L'USO IMPROPRIO o la mancata osservanza delle norme di sicurezza indicate nel presente manuale di istruzioni potrebbero causare gravi lesioni personali.

DESCRIZIONE DEL FUNZIONAMENTO

⚠ ATTENZIONE:

- Accertarsi sempre che l'utensile sia spento e staccato dalla presa di corrente prima di regolarlo o di controllare il suo funzionamento.

Selezione del modo di taglio (Modelli 4328/4329) (Fig. 1)

Questo utensile può essere fatto funzionare nel modo di taglio orbitale o in linea retta (su e giù). Il modo di taglio orbitale spinge la lama in avanti nella corsa di taglio e aumenta grandemente la velocità di taglio.

Per cambiare il modo di taglio, girare semplicemente la leva di cambio modo di taglio sulla posizione di taglio desiderata.

Per selezionare l'azione di taglio appropriata, vedere la tabella.

| Posizione | Modo di taglio | Applicazioni |
|-----------|----------------|---|
| 0 | Linea retta | Per tagliare l'acciaio dolce, l'acciaio inossidabile e la plastica. |
| | | Per il taglio pulito del legno e del compensato. |
| I | Orbita piccola | Per tagliare l'acciaio dolce, l'alluminio e il legno duro. |
| II | Orbita media | Per tagliare il legno e il compensato. |
| | | Per tagliare velocemente l'alluminio e l'acciaio dolce. |
| III | Orbita grande | Per tagliare velocemente il legno e il compensato. |

006582

Funzionamento dell'interruttore (Fig. 2)

⚠ ATTENZIONE:

- Prima di collegare l'utensile alla rete, accertarsi sempre che il grilletto interruttore funzioni correttamente e che torni sulla posizione "OFF" quando viene rilasciato.

Per mettere in moto l'utensile, schiacciare semplicemente il grilletto interruttore. Rilasciarlo per fermarlo.

Per il funzionamento continuo, schiacciare il grilletto interruttore e spingere poi dentro il bottone di bloccaggio. Per fermare l'utensile dalla posizione di bloccaggio, schiacciare completamente il grilletto interruttore e rilasciarlo.

Ghiera di regolazione velocità (Modelli 4327/4328/4329) (Fig. 3)

La velocità dell'utensile può essere regolata liberamente tra i 500 e i 3.100 giri al minuto girando la ghiera di regolazione. Le velocità più alte si ottengono girando la ghiera nella direzione del numero 6, e quelle più basse girandola nella direzione del numero 1.

Per selezionare la velocità corretta per il pezzo da tagliare, riferirsi alla tabella. La velocità appropriata potrebbe però differire secondo il tipo e lo spessore del pezzo da lavorare. Generalmente, le velocità più alte consentono di tagliare i pezzi da lavorare più velocemente, ma in questo modo la vita di servizio della lama si riduce.

| Pezzo da tagliare | Numero sulla ghiera di regolazione |
|----------------------|------------------------------------|
| Legno | 5 – 6 |
| Acciaio dolce | 3 – 6 |
| Acciaio inossidabile | 3 – 4 |
| Alluminio | 3 – 6 |
| Plastica | 1 – 4 |

006583

⚠ ATTENZIONE:

- Se si fa funzionare continuamente l'utensile alle basse velocità per un lungo periodo di tempo, si causa il sovraccarico del motore e il suo surriscaldamento.
- La ghiera di regolazione della velocità può essere girata in avanti soltanto fino a 6 e indietro fino a 1. Non forzarla oltre 6 o 1, perché altrimenti potrebbe diventare inutilizzabile.

MONTAGGIO

⚠ ATTENZIONE:

- Accertarsi sempre che l'utensile sia spento e staccato dalla presa di corrente prima di qualsiasi intervento su di esso.

Installazione e rimozione della lama (Fig. 4 e 5)

⚠ ATTENZIONE:

- Togliere sempre i trucioli e le sostanze estranee attaccate alla lama e/o portalama. Questa inosservanza potrebbe causare un serraggio insufficiente della lama con pericolo di ferite gravi.
- Non toccare la lama o il pezzo tagliato subito dopo l'uso dell'utensile, in quanto potrebbero essere estremamente caldi e provocare ustioni.
- Fissare sempre saldamente la lama. Il suo serraggio insufficiente potrebbe causarne la rottura o gravi lesioni personali.
- Usare soltanto le lame del tipo B. L'utilizzo di lame diverse dal tipo B causa il loro serraggio insufficiente con pericolo di gravi lesioni personali.

Per installare la lama, allentare sul portalama il bullone in senso antiorario usando una chiave esagonale.

Con i denti della lama rivolti in avanti, inserire la lama nel portalama finché non può andare più oltre. Accertarsi che il bordo posteriore della lama entri nel rullo. Stringere poi il bullone in senso orario per fissare la lama.

Per rimuovere la lama, seguire il procedimento opposto di installazione.

NOTA:

- Lubrificare ogni tanto il rullino.

Conservazione della chiave esagonale (Fig. 6)

Quando non viene usata, conservare la chiave esagonale come mostrato in figura, per evitare che vada persa.

Regolazione del rullino (Modelli 4326/4327)

(Fig. 7)

Allentare il bullone sulla parte posteriore della base dell'utensile usando la chiave esagonale. Spostare il fermo in modo che il rullino faccia leggermente contatto con la lama. Stringere poi il rullino per fissare la base dell'utensile e il fermo.

NOTA:

- Lubrificare ogni tanto il rullino.

Coperchio antipolvere (Fig. 8)

⚠ ATTENZIONE:

- Portare sempre gli occhiali di protezione, anche utilizzando l'utensile con il coperchio antipolvere abbassato.

Abbassare il coperchio antipolvere per evitare che volino via schegge. Per i tagli inclinati si deve però sollevarlo completamente.

FUNZIONAMENTO

⚠ ATTENZIONE:

- Tenere sempre la base dell'utensile a livello con il pezzo da lavorare. Questa inosservanza potrebbe causare la rottura della lama con pericolo di ferite gravi.
- Far avanzare molto lentamente l'utensile per il taglio delle curve o volute. Forzando l'utensile si potrebbe causare una superficie di taglio storta e danneggiare la lama.

Accendere l'utensile senza che la lama faccia contatto, e aspettare che essa raggiunga la velocità massima. Posare poi la base piana sul pezzo da lavorare e spingerla delicatamente in avanti seguendo la linea di taglio fatta precedentemente. (Fig. 9)

Tagli inclinati

⚠ ATTENZIONE:

- Accertarsi sempre che l'utensile sia spento e staccato dalla presa di corrente prima di installare o di rimuovere la lama.
- Alzare completamente il coperchio antipolvere prima di fare i tagli inclinati.

Con la base dell'utensile inclinata, è possibile praticare tagli inclinati a qualsiasi angolazione tra 0° e 45° (a sinistra o a destra). (Fig. 10)

Allentare il bullone sul retro della base servendosi della chiave esagonale. Spostare la base dell'utensile in modo che il bullone sia posizionato al centro della fessura a forma di croce sulla base dell'utensile. (Fig. 11)

Inclinare la base fino ad ottenere l'angolo di inclinazione desiderato. Il bordo dell'alloggiamento del motore indica l'angolo di smusso con graduazioni. Stringere poi il bullone per fissare la base. (Fig. 12)

Tagli frontali della stessa altezza (Fig. 13)

Allentare il bullone sulla parte posteriore della base dell'utensile usando la chiave esagonale, e spostare poi completamente indietro la base. Stringere poi il bullone per fissare la base dell'utensile.

Sfinestrature

Le sfinestrature possono essere fatte con i due metodi A e B.

A) Trapanazione di un foro iniziale

Per le sfinestrature interne senza un taglio di ingresso dal bordo, trapanare un foro iniziale di 12 mm o più di diametro. Per cominciare a tagliare, inserire la lama in questo foro. (Fig. 14)

B) Taglio a tufo

Se si procede con cura come segue, non è necessario trapanare un foro iniziale o fare un taglio di ingresso.

- 1) Inclinare in su l'utensile sul bordo anteriore della base, con la punta della lama posizionata subito sopra la superficie del pezzo da lavorare. (Fig. 15)
- 2) Esercitare una pressione sull'utensile in modo che il bordo anteriore della base non si muova quando lo si accende e si abbassa poi delicatamente e lentamente l'estremità posteriore della base.
- 3) Mentre la lama fora il pezzo da lavorare, abbassare lentamente la base dell'utensile sulla superficie del pezzo da lavorare.
- 4) Completare il taglio nel modo normale.

Bordi di finitura (Fig. 16)

Per rifinire i bordi o fare regolazioni dimensionali, passare leggermente la lama lungo i bordi di taglio.

Taglio dei metalli

Per tagliare i metalli, usare sempre un refrigerante (olio da taglio) adatto. Questa inosservanza può causare un veloce consumo della lama. Invece di usare un refrigerante, si può spalmare di grasso la parte inferiore del pezzo da lavorare.

Estrazione della polvere (Fig. 17)

Collegando l'utensile ad un aspiratore Makita si possono eseguire dei tagli puliti. Inserire il manicotto dell'aspiratore nel foro sulla parte posteriore dell'utensile. Abbassare il coperchio antipolvere prima di questa operazione.

NOTA:

- L'estrazione della polvere non può essere eseguita quando si fanno i tagli inclinati.

Guida pezzo (accessorio opzionale)

⚠ ATTENZIONE:

- Accertarsi sempre che l'utensile sia spento e staccato dalla presa di corrente prima di installare o di rimuovere gli accessori.

1. Tagli diritti (Fig. 18, 19, 20 e 21)

Se si devono fare ripetutamente dei tagli di 160 mm o meno di larghezza, l'uso della guida pezzo assicura dei tagli diritti veloci e puliti.

Per installarla, inserire la guida pezzo nel foro rettangolare sul fianco della base dell'utensile, con la guida riparo rivolta in giù. Spingere la guida pezzo sulla posizione della larghezza di taglio desiderata, e stringere poi il bullone per fissarla.

2. Tagli circolari (Fig. 22, 23, 24 e 25)

Per tagliare cerchi o archi con un raggio di 170 mm o meno, installare la guida pezzo come segue.

Inserire la guida pezzo nel foro rettangolare sul fianco della base dell'utensile, con la guida riparo rivolta in su. Inserire il perno della guida circolare in uno dei due fori della guida riparo. Avvitare il pomello filettato nel perno per fissarlo.

Spingere ora la guida pezzo sul raggio di taglio desiderato, e stringere il bullone per fissarla in posizione. Spostare poi completamente in avanti la base dell'utensile.

NOTA:

- Per tagliare i cerchi e gli archi, usare sempre le lame No. B-17, B-18, B-26 o B-27.

Dispositivo antisceggiamento per la base d'acciaio (accessorio opzionale) (Fig. 26)

Per ottenere dei tagli privi di schegge, è possibile usare il dispositivo antisceggiamento. Per installare il dispositivo antisceggiamento, spostare completamente in avanti la base e inserirlo tra le due sporgenze della base.

NOTA:

- Il dispositivo antisceggiamento non può essere usato quando si fanno tagli a sbieco.

Dispositivo antisceggiamento per base di alluminio (accessorio opzionale) (Fig. 27)

Per ottenere dei tagli privi di schegge, è possibile usare il dispositivo antisceggiamento. Per installare il dispositivo antisceggiamento, spostare del tutto in avanti la base dell'utensile ed installare il dispositivo dal retro della base dell'utensile. Quando si utilizza anche la piastra di protezione, installare il dispositivo antisceggiamento sulla piastra di protezione.

⚠ ATTENZIONE:

- Il dispositivo antisceggiamento non può essere usato quando si fanno tagli inclinati.

Piastra di protezione per base di alluminio (accessorio opzionale) (Fig. 28)

Utilizzare la piastra di protezione per tagliare impiaccature decorative o materiali in plastica, ecc. In questo modo si proteggono dal danneggiamento le superfici più sensibili o delicate. Fissare la piastra di protezione sul retro della base dell'utensile.

MANUTENZIONE

⚠ ATTENZIONE:

- Accertarsi sempre che l'utensile sia spento e staccato dalla presa di corrente prima di qualsiasi intervento di ispezione o di manutenzione.
- Non si devono mai usare benzina, benzolo, solventi, alcol o sostanze simili. Si potrebbero causare scolorimenti, deformazioni o crepe.

Per preservare la SICUREZZA e l'AFFIDABILITÀ del prodotto, le riparazioni, l'ispezione e la sostituzione della spazzole di carbone o qualsiasi altra manutenzione e regolazione devono essere eseguite da un Centro Assistenza Makita autorizzato usando sempre ricambi Makita.

ACCESSORI OPZIONALI

ATTENZIONE:

- In questo manuale si consiglia di usare questi accessori o ricambi Makita. L'impiego di altri accessori o ricambi potrebbe costituire un pericolo di lesioni. Usare esclusivamente gli accessori o ricambi per il loro scopo specificato.

Per maggiori dettagli riguardo a questi accessori, rivolgersi a un centro di assistenza Makita.

- Lama seghetto alternativo
- Chiave esagonale 3
- Gruppo guida pezzo (righello di guida)
- Dispositivo antischeggiamento
- Manicotto (Per aspirapolvere)
- Piastra di protezione (Per tipo base di alluminio)

NOTA:

- Alcuni articoli nella lista potrebbero essere inclusi nell'imballo dell'utensile come accessori standard. Essi potrebbero differire da Paese a Paese.

ENG905-1

Rumore

Il tipico livello di rumore pesato A determinato secondo EN62841-2-11:

Modello 4326, 4327

Livello pressione sonora (L_{pA}): 89 dB (A)
Livello potenza sonora (L_{WA}): 97 dB (A)
Incertezza (K): 3 dB (A)

Modello 4328, 4329

Livello pressione sonora (L_{pA}): 86 dB (A)
Livello potenza sonora (L_{WA}): 94 dB (A)
Incertezza (K): 3 dB (A)

ENG907-1

NOTA:

- Il valore o i valori delle emissioni di rumore dichiarati sono stati misurati in conformità a un metodo di verifica standard, e possono essere utilizzati per confrontare un utensile con un altro.
- Il valore o i valori delle emissioni di rumore dichiarati possono essere utilizzati anche in una valutazione preliminare dell'esposizione.

AVVERTIMENTO:

- **Indossare i paraorecchi.**
- **L'emissione di rumore durante l'utilizzo effettivo dell'utensile elettrico può variare rispetto al valore o ai valori dichiarati, a seconda dei modi in cui l'utensile viene utilizzato, e specialmente di quale tipo di pezzo venga lavorato.**
- **Identificare le misure di sicurezza per la protezione dell'operatore basate sulla stima dell'esposizione nelle condizioni reali d'utilizzo (tenendo presente tutte le parti del ciclo operativo, come le volte in cui l'utensile viene spento e quando gira a vuoto, oltre al tempo di funzionamento).**

ENG900-1

Vibrazione

Il valore totale di vibrazione (somma vettore triassiale) determinato secondo EN62841-2-11:

Modello 4326, 4327

Modalità operativa: piani di taglio
Emissione di vibrazione ($a_{h, B}$): 5,5 m/s²
Incertezza (K): 1,5 m/s²

Modalità operativa: taglio di fogli metallici
Emissione di vibrazione ($a_{h, M}$): 5,5 m/s²
Incertezza (K): 1,5 m/s²

Modello 4328, 4329

Modalità operativa: piani di taglio
Emissione di vibrazione ($a_{h, B}$): 7,0 m/s²
Incertezza (K): 1,5 m/s²

Modalità operativa: taglio di fogli metallici
Emissione di vibrazione ($a_{h, M}$): 5,0 m/s²
Incertezza (K): 1,5 m/s²

ENG901-2

NOTA:

- Il valore di emissione delle vibrazioni dichiarato è stato misurato conformemente al metodo di test standard, e può essere usato per paragonare un utensile con un altro.
- Il valore di emissione delle vibrazioni dichiarato può anche essere usato per una valutazione preliminare dell'esposizione.

AVVERTIMENTO:

- **L'emissione delle vibrazioni durante l'uso reale dell'utensile elettrico può differire dal valore di emissione dichiarato a seconda dei modi in cui viene usato l'utensile.**
- **Identificare le misure di sicurezza per la protezione dell'operatore basate sulla stima dell'esposizione nelle condizioni reali d'utilizzo (tenendo presente tutte le parti del ciclo operativo, come le volte in cui l'utensile viene spento e quando gira a vuoto, oltre al tempo di funzionamento).**

DICHIARAZIONI DI CONFORMITÀ

Solo per i paesi europei

Le Dichiarazioni di conformità sono incluse nell'Allegato A al presente manuale d'uso.

Verklaring van algemene gegevens

| | | |
|-------------------------|---------------------------------------|---------------------------|
| 1 Zaagactie-keuzehendel | 12 Voet | 22 Geleideroppervlak |
| 2 Trekkerschakelaar | 13 Stofkap | 23 Geleider |
| 3 Vastzetknop | 14 Zaaglijn | 24 Schroefknop |
| 4 Snelheidsregelknop | 15 Zijrand | 25 Pen |
| 5 Zaagbladhouder | 16 Schaalverdelingen | 26 Antisplinterinrichting |
| 6 Bout | 17 Startgaatje | 27 Uitsteeksels |
| 7 Inbussleutel | 18 Slang | 28 Aluminiumvoet |
| 8 Zaagblad | 19 Type met stalen voet | 29 Dekplaat |
| 9 Rol | 20 Breedtegeleider (trekgeleider-set) | |
| 10 Haak | 21 Type met aluminiumvoet | |
| 11 Houder | | |

TECHNISCHE GEGEVENS

| | | | | | |
|---|-------------|------------------------------------|------------------------------------|-------------|-------------|
| Model | | 4326 | 4327 | 4328 | 4329 |
| Slaglengte | | 18 mm | 18 mm | 18 mm | 18 mm |
| Type zaagblad | | Type B | | | |
| Max. snijcapaciteit | Hout | 65 mm | 65 mm | 65 mm | 65 mm |
| | Zacht staal | 6 mm | 6 mm | 6 mm | 6 mm |
| Aantal slagen per minuut (min ⁻¹) | | 3 100 | 500 – 3 100 | 500 – 3 100 | 500 – 3 100 |
| Gesamtlänge | | 217 mm (Type met stalen voet) | 217 mm (Type met stalen voet) | 217 mm | 223 mm |
| | | 223 mm (Type met aluminiumvoet) | 223 mm (Type met aluminiumvoet) | | |
| Nettogewicht | | 1,9 kg | 1,9 kg | 1,8 kg | 1,9 kg |
| Veiligheidsklasse | | □/II | | | |

- In verband met ononderbroken research en ontwikkeling behouden wij ons het recht voor bovenstaande technische gegevens te wijzigen zonder voorafgaande kennisgeving.
- De technische gegevens kunnen van land tot land verschillen.
- Gewicht volgens de EPTA-procedure 01/2014

ENE019-1

GEA010-2

Doeleinden van gebruik

Dit gereedschap is bedoeld voor het zagen van hout, kunststof en metalen materialen. Een uitgebreide keuze van accessoires en zaagbladen staat ter beschikking, zodat het gereedschap voor talrijke doeleinden kan worden gebruikt en optimaal geschikt is voor het zagen van bogen en cirkels.

ENF002-2

Stroomvoorziening

Het gereedschap mag alleen worden aangesloten op een stroombron van hetzelfde voltage als aangegeven op de naamplaat, en kan alleen op enkel-fase wisselstroom worden gebruikt. Het gereedschap is dubbel-geïsoleerd en kan derhalve ook op een niet-geaard stopcontact worden aangesloten.

Algemene veiligheidswaarschuwingen voor elektrisch gereedschap

⚠ WAARSCHUWING Lees alle veiligheidswaarschuwingen, aanwijzingen, afbeeldingen en technische gegevens behorend bij dit elektrische gereedschap aandachtig door. Als u niet alle onderstaande aanwijzingen naleeft, kan dat resulteren in brand, elektrische schokken en/of ernstig letsel.

Bewaar alle waarschuwingen en instructies om in de toekomst te kunnen raadplegen.

De term "elektrisch gereedschap" in de veiligheidsvoorschriften duidt op gereedschappen die op stroom van het lichtnet werken (met snoer) of gereedschappen met een accu (snoerloos).

VEILIGHEIDSWAARSCHUWINGEN SPECIFIEK VOOR DECOUPEERZAGEN

1. Houd elektrisch gereedschap vast aan het geïsoleerde oppervlak van de handgrepen wanneer u werkt op plaatsen waar het accessoire met verborgen bedrading of zijn eigen snoer in aanraking kan komen. Wanneer het accessoire in aanraking komt met onder spanning staande draden, zullen de niet-geïsoleerde metalen delen van het gereedschap onder spanning komen te staan zodat de gebruiker een elektrische schok kan krijgen.
2. Gebruik klemmen of andere bevestigingsmiddelen om het werkstuk op een stabiel platform te bevestigen en te ondersteunen. Het werkstuk is onstabiel en er is gevaar voor controleverlies wanneer u het werkstuk met de hand vasthoudt of het tegen uw lichaam houdt.
3. Draag altijd een veiligheidsbril of een beschermbril. Een gewone bril of een zonnebril is GEEN veiligheidsbril.
4. Vermijd het zagen op spijkers. Inspecteer het werkstuk op eventuele spijkers en verwijder ze voordat u begint.
5. Zaag geen werkstukken die te groot zijn.
6. Controleer vooraf of er voldoende ruimte voorbij het werkstuk is, zodat het zaagblad niet tegen de vloer, een werkbank e.d. zal stoten.
7. Houd het gereedschap stevig vast.
8. Zorg dat het zaagblad het werkstuk niet raakt voordat u de trekschakelaar indrukt.
9. Houd uw handen uit de buurt van bewegende delen.
10. Laat het gereedschap niet onnodig ingeschakeld. Bedien het gereedschap alleen terwijl u het vasthoudt.
11. Schakel het gereedschap uit en wacht totdat het zaagblad volledig tot stilstand is gekomen alvorens het zaagblad van het werkstuk te verwijderen.
12. Raak het zaagblad of het werkstuk niet aan onmiddellijk na het werk; deze kunnen gloeiend heet zijn en brandwonden veroorzaken.
13. Laat het gereedschap niet onbelast draaien wanneer zulks niet nodig is.
14. Sommige materialen bevatten chemische stoffen die giftig kunnen zijn. Wees voorzichtig dat u geen stof inademt en het stof niet op uw huid komt. Volg de veiligheidsinstructies van de leverancier van het materiaal op.
15. Draag altijd het stofmasker/gasmasker dat geschikt is voor het materiaal en de toepassing waarmee u werkt.

BEWAAR DEZE INSTRUCTIES.

WAARSCHUWING:

Laat u NIET misleiden door een vals gevoel van comfort en bekendheid met het gereedschap (na veelvuldig gebruik) en neem alle veiligheidsvoorschriften van het betreffende gereedschap altijd strikt in acht. VERKEERD GEBRUIK of het niet naleven van de veiligheidsvoorschriften in deze gebruiksaanwijzing kan leiden tot ernstig persoonlijk letsel.

BESCHRIJVING VAN DE FUNCTIES

LET OP:

- Zorg altijd dat het gereedschap is uitgeschakeld en niet op een stopcontact is aangesloten voordat u functies op het gereedschap instelt of controleert.

Selecteren van de zaagactie (Voor modellen 4328/4329) (Fig. 1)

Dit gereedschap kan met twee zaagacties worden gebruikt: Zagen in een cirkelbaan of in rechte lijn (op en neer). Tijdens zagen in een cirkelbaan, wordt het zaagblad door de zaagactie naar voren geduwd en vermeerderd de zaagsnelheid aanzienlijk.

Om de zaagactie te veranderen, draait u gewoon de zaagactie-keuzehendel naar de gewenste stand.

Zie de tabel om de juiste zaagwerking te kiezen.

| Stand | Zaagactie | Toepassingen |
|-------|----------------------------------|--|
| 0 | Zagen zonder pendelslag | Zagen van zacht staal, roestvrij staal en plastic. |
| | | Schoon zagen van hout en gelaagd hout. |
| I | Zagen met kleine pendelslag | Zagen van zacht staal, aluminium en hard hout. |
| II | Zagen met middelgrote pendelslag | Zagen van hout en gelaagd hout. |
| | | Snel zagen in aluminium en zacht staal. |
| III | Zagen met grote pendelslag | Snel zagen in hout en gelaagd hout. |

006582

Werkung van de schakelaar (Fig. 2)

LET OP:

- Alvorens het netsnoer op het stopcontact aan te sluiten, dient u altijd te controleren of de trekkerschakelaar juist werkt en bij loslaten naar de "OFF" positie terugkeert.

Om het gereedschap te starten, drukt u gewoon de trekker in. Laat de trekker los om het gereedschap te stoppen.

Voor langdurig zagen drukt u eerst de trekker en dan de vastzetknop in.

Om het gereedschap vanuit deze vergrendelde stand te stoppen, wordt de trekker helemaal ingedrukt en vervolgens losgelaten.

Snelheidsregelknop (Voor modellen 4327/4328/4329) (Fig. 3)

De zaagsnelheid kan worden ingesteld op een willekeurige snelheid tussen 500 en 3 100 slagen per minuut door de snelheidsregelknop naar links of rechts te draaien. Draai de knop in de richting van nummer 6 om de snelheid te vermeerderen, en in de richting van nummer 1 om de snelheid te verminderen.

Raadpleeg de tabel voor het selecteren van de snelheid die geschikt is voor het te zagen werkstuk. De geschikte snelheid hangt echter ook af van het type of de dikte van het werkstuk. In het algemeen, kunt u met hogere snelheden sneller zagen, maar het zaagblad zal dan minder lang meegaan.

| Te zagen werkstuk | Nummer op regelknop |
|-------------------|---------------------|
| Hout | 5 – 6 |
| Zacht staal | 3 – 6 |
| Roestvrij staal | 3 – 4 |
| Aluminium | 3 – 6 |
| Plastic | 1 – 4 |

006583

⚠ LET OP:

- Als het gereedschap continu gedurende een lange tijd op lage snelheid wordt gebruikt, zal de motor overbelast en oververhit raken.
- De snelheidsregelknop kan niet verder dan 6 en niet verder terug dan 1 worden gedraaid. Probeer niet de knop met geweld voorbij 6 of 1 te draaien, aangezien de snelheidsregeling dan niet meer juist zal werken.

INEENZETTEN

⚠ LET OP:

- Zorg altijd dat het gereedschap is uitgeschakeld en niet op een stopcontact is aangesloten alvorens enig werk aan het gereedschap uit te voeren.

Installeren of verwijderen van het zaagblad (Fig. 4 en 5)

⚠ LET OP:

- Verwijder altijd alle spaanders of verontreinigingen van het zaagblad en/of de zaagbladhouder. Als u dit verzuimt, bestaat er kans dat het zaagblad niet goed vastgezet zal zijn, hetgeen ernstige verwonding kan veroorzaken.
- Raak het zaagblad of het werkstuk niet aan onmiddellijk na het gebruik; deze kunnen gloeiend heet zijn en brandwonden veroorzaken.
- Zet het zaagblad altijd goed vast. Als het zaagblad onvoldoende goed is vastgezet, kan het breken en ernstig persoonlijk letsel ontstaan.
- Gebruik uitsluitend type B zaagbladen. Als u een ander zaagblad dan type B gebruikt, wordt het zaagblad onvoldoende goed vastgezet waardoor ernstig persoonlijk letsel kan ontstaan.

Om het zaagblad te monteren, draait u de bout op de zaagbladhouder met de inbussleutel linksom.

Terwijl de tanden van het zaagblad naar voren wijzen, steekt u het zaagblad zo ver mogelijk in de zaagbladhouder. Zorg ervoor dat de achterrand van het zaagblad in de rol past. Draai daarna de bout rechtsom vast om het zaagblad vast te zetten.

Om het zaagblad te verwijderen, volgt u de procedure in omgekeerde volgorde.

OPMERKING:

- Smeer de rol af en toe.

Opbergplaats voor de inbussleutel (Fig. 6)

Wanneer u de inbussleutel niet gebruikt, bergt u deze op de plaats aangegeven in de afbeelding op, om te voorkomen dat deze wordt verloren.

Afstellen van de rol (Voor modellen 4326/4327) (Fig. 7)

Draai de bout op de achterzijde van de gereedschapsvoet los met de inbussleutel. Verschuif de houder zodat de rol net tegen het zaagblad aankomt. Draai daarna de bout weer vast om de gereedschapsvoet en de houder vast te zetten.

OPMERKING:

- Smeer de rol af en toe.

Stofkap (Fig. 8)

⚠ LET OP:

- Draag altijd een veiligheidsbril, ook wanneer u het gereedschap gebruikt met de stofkap naar omlaag gebracht.

Breng de stofkap omlaag om te voorkomen dat spaanders in het rond vliegen. Voor verstekzagen dient u de stofkap echter helemaal omhoog te brengen.

BEDIENING

⚠ LET OP:

- Houd de voet van het gereedschap altijd vlak met het werkstuk. Als u dit niet doet, kan het zaagblad breken, hetgeen ernstige verwonding kan veroorzaken.
- Beweeg het gereedschap langzamer vooruit tijdens het zagen van bochten en bij ornamentzagen. Als u het gereedschap dwingt, kan een schuin zaagoppervlak ontstaan en het zaagblad breken.

Schakel het gereedschap in zonder dat het zaagblad iets raakt en wacht tot het zaagblad op volle snelheid draait. Plaats dan de voet van het gereedschap vlak op het werkstuk en beweeg het gereedschap langzaam naar voren langs de van te voren op het werkstuk aangebrachte zaaglijn. (Fig. 9)

Zagen onder een schuine hoek

⚠ LET OP:

- Zorg er altijd voor dat het gereedschap is uitgeschakeld en het netsnoer uit het stopcontact is verwijderd, alvorens de voet van het gereedschap schuin te zetten.
- Breng de stofkap helemaal omhoog alvorens schuine zaagsneden te maken.

Door de gereedschapsvoet schuin te zetten kunt u schuin zagen bij een willekeurige hoek tussen 0° en 45° (links of rechts). (Fig. 10)

Draai met de inbussleutel de bout aan de achterkant van de voet los. Beweeg de voet zodat de bout vlak in het midden van de kruisvormige sleuf in de voet komt te zitten. (Fig. 11)

Kantel de gereedschapsvoet om de gewenste schuine hoek te krijgen. Op de rand van het motorhuis wordt de verstekhoek aangegeven door een schaalverdeling. Draai daarna de bout vast om de voet vast te zetten. (Fig. 12)

Zagen tot helemaal tegen de kant (Fig. 13)

Draai met de inbusleutel de bout aan de achterkant van de voet los en schuif de voet helemaal naar achteren. Draai daarna de bout vast om de voet vast te zetten.

Figuren uitzagen

Voor het uitzagen van figuren kunt u methode A of B gebruiken.

A) Voorboren van een startgaatje

Om figuren onmiddellijk in het midden van het werkstuk uit te zagen, en dus niet vanaf de rand, dient u eerst een startgaatje met een diameter van 12 mm of meer te boren. Steek het zaagblad door dit gaatje en begin dan met te zagen. (Fig. 14)

B) Invalzagen

U hoeft geen startgaatje te boren of geen geleidesnede te maken indien u voorzichtig als volgt te werk gaat.

- (1) Houd het gereedschap schuin voorover door alleen het voorste gedeelte van de voet op het werkstuk te laten rusten, met de punt van het zaagblad net boven het werkstukoppervlak. (Fig. 15)
- (2) Oefen een beetje druk uit op het gereedschap om te voorkomen dat de voorrand van de voet kan bewegen, en schakel het gereedschap in. Laat het achterste van het gereedschap langzaam zakken.
- (3) Naarmate het zaagblad door het werkstuk heen zaagt, laat u de voet van het gereedschap langzaam op het werkstukoppervlak zakken.
- (4) Zaag verder op de normale manier.

Afwerken van de randen (Fig. 16)

Voor het afwerken van randen of voor nauwkeurig op maat zagen, laat u het zaagblad lichtjes langs de gezaagde randen lopen.

Zagen van metaal

Voor het zagen van metaal dient u altijd een geschikt koelmiddel (snijolie) te gebruiken. Wanneer u dit niet doet, zal het zaagblad snel slijten. In plaats van een koelmiddel te gebruiken, kunt u ook de onderkant van het werkstuk invetten.

Stofzuiging (Fig. 17)

U kunt schoner werken door dit gereedschap op een Makita stofzuiger aan te sluiten. Steek de slang van de stofzuiger in de opening aan de achterkant van het gereedschap. Breng de stofkap omlaag alvorens het gereedschap te gebruiken.

OPMERKING:

- Stofzuiging is niet mogelijk tijdens zagen onder een schuine hoek.

Breedtegeleider (optioneel accessoire)

⚠ LET OP:

- Zorg er altijd voor dat het gereedschap is uitgeschakeld en het netsnoer uit het stopcontact is verwijderd, alvorens accessoires te installeren of te verwijderen.

1. Rechte stukken zagen (Fig. 18, 19, 20 en 21)

Wanneer u herhaaldelijk stukken die 160 mm of minder breed zijn wilt zagen, kunt u snel rechte en schone sneden krijgen door de breedtegeleider te gebruiken.

Om de breedtegeleider te installeren, steekt u deze met zijn geleider naar beneden gericht door de rechthoekige opening op de zijkant van de gereedschapsvoet. Schuif de breedtegeleider naar de positie van de gewenste breedte, en draai dan de bout vast om hem vast te zetten.

2. Cirkels en bogen zagen (Fig. 22, 23, 24 en 25)

Wanneer u cirkels of bogen met een straal van 170 mm of minder wilt zagen, dient u de breedtegeleider als volgt te installeren.

Steek de breedtegeleider met zijn geleider naar boven gericht door de rechthoekige opening op de zijkant van de gereedschapsvoet. Steek de pin van de cirkelgeleider door een van de twee gaatjes in de geleider. Zet de pin vast door de schroefknop erop te schroeven.

Schuif nu de breedtegeleider naar de positie van de gewenste straal, en zet deze vast door de bout vast te draaien. Schuif daarna de voet van het gereedschap helemaal naar voren.

OPMERKING:

- Gebruik altijd zaagbladen Nr. B-17, B-18, B-26 of B-27 wanneer u cirkels of bogen wilt zagen.

Antisplinterinrichting voor stalen voet (optioneel accessoire) (Fig. 26)

Om splintervrije zaagsneden te krijgen, kunt u de anti-splinterinrichting gebruiken. Om het anti-splinterinrichting te monteren, zet u de voet in de voorste stand en plaatst u het apparaat tussen de twee uitsteeksels van de voet.

OPMERKING:

- Het anti-splinterinrichting kan niet worden gebruikt bij verstekzagen.

Antisplinterinrichting voor aluminiumvoet (optioneel accessoire) (Fig. 27)

Om splintervrije zaagsneden te krijgen, kunt u de anti-splinterinrichting gebruiken. Om deze te installeren, schuift u de gereedschapsvoet helemaal naar voren en dan bevestigt u de inrichting vanaf de onderzijde van de voet. Wanneer u de dekplaat gebruikt, installeert u de anti-splinterinrichting op de dekplaat.

⚠ LET OP:

- De anti-splinterinrichting kan niet gebruikt worden voor zagen onder een schuine hoek.

Dekplaat voor aluminiumvoet (optioneel accessoire) (Fig. 28)

- Gebruik de dekplaat wanneer u decoratiefineerhout, kunststof e.d. zaagt. Deze plaat beschermt gevoelige of tere oppervlakken tegen beschadiging. Bevestig de plaat op de onderzijde van de gereedschapsvoet.

ONDERHOUD

⚠ LET OP:

- Zorg altijd dat het gereedschap is uitgeschakeld en zijn stekker uit het stopcontact is verwijderd alvorens te beginnen met inspectie of onderhoud.
- Gebruik nooit benzine, wasbenzine, verdunner, alcohol, enz. Dit kan leiden tot vlekken, vervormen of barsten.

Om de VEILIGHEID en BETROUWBAARHEID van het gereedschap te verzekeren, dienen alle reparaties, inspectie en vervanging van koolborstels, en alle andere onderhoudswerkzaamheden of afstellingen te worden uitgevoerd door een erkend Makita servicecentrum, en dit uitsluitend met gebruik van originele Makita vervangingsonderdelen.

OPTIONELE ACCESSOIRES

LET OP:

- Deze accessoires of hulpstukken worden aanbevolen voor gebruik met het Makita gereedschap dat in deze gebruiksaanwijzing is beschreven. Bij gebruik van andere accessoires of hulpstukken bestaat er gevaar voor persoonlijke verwonding. Gebruik de accessoires of hulpstukken uitsluitend voor hun bestemd doel.

Wenst u meer bijzonderheden over deze accessoires, neem dan contact op met het plaatselijke Makita servicecentrum.

- Figuurzaagblad
- Inbussleutel 3
- Breedtegeleider-set (trekgeleider-set)
- Antisplinterinrichting
- Slang (Voor stofzuiger)
- Dekplaat (Voor type met aluminiumvoet)

OPMERKING:

- Sommige van de onderdelen in deze lijst kunnen bijgeleverd zijn als standaard-accessoires. Deze accessoires kunnen per land verschillend zijn.

ENG905-1

Geluidsniveau

De typisch, A-gewogen geluidsniveaus vastgesteld volgens EN62841-2-11:

Model 4326, 4327

Geluidsdrukniveau (L_{pA}): 89 dB (A)
Geluidsenergie-niveau (L_{WA}): 97 dB (A)
Onnauwkeurigheid (K): 3 dB (A)

Model 4328, 4329

Geluidsdrukniveau (L_{pA}): 86 dB (A)
Geluidsenergie-niveau (L_{WA}): 94 dB (A)
Onnauwkeurigheid (K): 3 dB (A)

ENG907-1

OPMERKING:

- De opgegeven geluidsemisiewaarde(n) is/zijn gemeenten volgens een standaardtestmethode en kan/kunnen worden gebruikt om dit gereedschap te vergelijken met andere gereedschappen.
- De opgegeven geluidsemisiewaarde(n) kan/kunnen ook worden gebruikt voor een beoordeling vooraf van de blootstelling.

WAARSCHUWING:

- **Draag oorbeschermers.**
- **De geluidsemisie tijdens het gebruik van het elektrisch gereedschap in de praktijk kan verschillen van de opgegeven waarde(n) afhankelijk van de manier waarop het gereedschap wordt gebruikt en met name welk soort werkstuk wordt verwerkt.**

- **Zorg ervoor dat veiligheidsmaatregelen worden getroffen ter bescherming van de operator die zijn gebaseerd op een schatting van de blootstelling onder praktijkomstandigheden (rekening houdend met alle fasen van de bedrijfscyclus, zoals de tijdsduur gedurende welke het gereedschap is uitgeschakeld en stationair draait, naast de ingeschakelde tijdsduur).**

ENG900-1

Trilling

De totaalwaarde van de trillingen (triaxiale vectorsom) vastgesteld volgens EN62841-2-11:

Model 4326, 4327

Toepassing: zagen in hout
Trillingsemisie ($a_{h, B}$): 5,5 m/s²
Onnauwkeurigheid (K): 1,5 m/s²

Toepassing: zagen in metaalplaat
Trillingsemisie ($a_{h, M}$): 5,5 m/s²
Onnauwkeurigheid (K): 1,5 m/s²

Model 4328, 4329

Toepassing: zagen in hout
Trillingsemisie ($a_{h, B}$): 7,0 m/s²
Onnauwkeurigheid (K): 1,5 m/s²

Toepassing: zagen in metaalplaat
Trillingsemisie ($a_{h, M}$): 5,0 m/s²
Onnauwkeurigheid (K): 1,5 m/s²

ENG901-2

OPMERKING:

- De opgegeven trillingstotaalwaarde(n) is/zijn gemeten volgens een standaardtestmethode en kan/kunnen worden gebruikt om dit gereedschap te vergelijken met andere gereedschappen.
- De opgegeven trillingswaarde(n) kan/kunnen ook worden gebruikt voor een beoordeling vooraf van de blootstelling.

WAARSCHUWING:

- **De trillingsemisie tijdens het gebruik van het elektrisch gereedschap in de praktijk kan verschillen van de opgegeven waarde(n) afhankelijk van de manier waarop het gereedschap wordt gebruikt en met name welk soort werkstuk wordt verwerkt.**
- **Zorg ervoor dat veiligheidsmaatregelen worden getroffen ter bescherming van de operator die zijn gebaseerd op een schatting van de blootstelling onder praktijkomstandigheden (rekening houdend met alle fasen van de bedrijfscyclus, zoals de tijdsduur gedurende welke het gereedschap is uitgeschakeld en stationair draait, naast de ingeschakelde tijdsduur).**

VERKLARINGEN VAN CONFORMITEIT

Alleen voor Europese landen

De verklaringen van conformiteit zijn bijgevoegd in Bijlage A bij deze gebruiksaanwijzing.

Explicación de los dibujos

| | | | | | |
|---|---|----|----------------------------|----|--------------------------|
| 1 | Palanca de cambio de la acción de corte | 10 | Gancho | 21 | Tipo base de aluminio |
| 2 | Gatillo interruptor | 11 | Retenedor | 22 | Revestimiento de guía |
| 3 | Botón de seguro | 12 | Base | 23 | Guía lateral |
| 4 | Control de regulación de la velocidad | 13 | Guardapolvo | 24 | Perilla roscada |
| 5 | Portasierra | 14 | Línea de corte | 25 | Pasador |
| 6 | Perno | 15 | Borde | 26 | Dispositivo antiastillas |
| 7 | Llave hexagonal | 16 | Graduación | 27 | Protuberancias |
| 8 | Hoja de sierra | 17 | Agujero de inicio | 28 | Base de aluminio |
| 9 | Rodillo | 18 | Manguera | 29 | Placa de rozamiento |
| | | 19 | Tipo base de acero | | |
| | | 20 | Guía de apoyo (regla guía) | | |

ESPECIFICACIONES

| | | | | | |
|--|-------------|-----------------------------------|-----------------------------------|-------------|-------------|
| Modelo | | 4326 | 4327 | 4328 | 4329 |
| Longitud de carrera | | 18 mm | 18 mm | 18 mm | 18 mm |
| Tipo de hoja de sierra | | Tipo B | | | |
| Capacidad máxima de corte | Madera | 65 mm | 65 mm | 65 mm | 65 mm |
| | Acero suave | 6 mm | 6 mm | 6 mm | 6 mm |
| Carreras por minuto (min ⁻¹) | | 3.100 | 500 – 3.100 | 500 – 3.100 | 500 – 3.100 |
| Longitud total | | 217 mm (Tipo base de acero) | 217 mm (Tipo base de acero) | 217 mm | 223 mm |
| | | 223 mm (Tipo base de aluminio) | 223 mm (Tipo base de aluminio) | | |
| Peso neto | | 1,9 kg | 1,9 kg | 1,8 kg | 1,9 kg |
| Clase de seguridad | | Ⓜ/II | | | |

- Debido a un programa continuo de investigación y desarrollo, las especificaciones aquí dadas están sujetas a cambios sin previo aviso.
- Las especificaciones pueden ser diferentes de país a país.
- Peso de acuerdo con el procedimiento EPTA 01/2014

Uso previsto

La herramienta ha sido prevista para serrar madera, plástico y materiales metálicos. Gracias a la variedad de accesorios y tipos de sierras para diversos usos existentes, la herramienta puede utilizarse para muchas tareas y es muy apropiada para cortes curvados y circulares.

ENE019-1

Guarde todas las advertencias e instrucciones para futuras referencias.

El término "herramienta eléctrica" en las advertencias se refiere a su herramienta eléctrica de funcionamiento con conexión a la red eléctrica (con cable) o herramienta eléctrica de funcionamiento a batería (sin cable).

GE186-1

Alimentación

La herramienta ha de conectarse solamente a una fuente de alimentación de la misma tensión que la indicada en la placa de características, y sólo puede funcionar con corriente alterna monofásica. El sistema de doble aislamiento de la herramienta puede, por lo tanto, usarse también en enchufes hembra sin conductor de tierra.

ENF002-2

ADVERTENCIAS DE SEGURIDAD PARA LA SIERRA CALADORA

1. **Cuando realice una operación en la que el accesorio de corte pueda entrar en contacto con cableado oculto o su propio cable, sujete la herramienta eléctrica por las superficies de aislamiento aisladas.** El contacto del accesorio de corte con un cable con corriente puede hacer que la corriente circule por las partes metálicas expuestas de la herramienta eléctrica y soltar una descarga eléctrica al operario.
2. **Utilice mordazas u otros medios de sujeción prácticos para sujetar y apoyar la pieza de trabajo en una plataforma estable.** Sujetada con la mano o contra su cuerpo, la pieza de trabajo estará inestable y podrá ocasionar la pérdida del control.

GEA010-2

Advertencias de seguridad para herramientas eléctricas en general

⚠ ADVERTENCIA Lea todas las advertencias de seguridad, instrucciones, ilustraciones y especificaciones provistas con esta herramienta eléctrica. Si no sigue todas las instrucciones indicadas abajo podrá resultar en una descarga eléctrica, un incendio y/o heridas graves.

3. Utilice siempre gafas de seguridad o gafas de protección. Las gafas normales o de sol NO son gafas de seguridad.
4. Evite cortar clavos. Inspeccione la pieza de trabajo por si tiene algún clavo y retírelos antes de empezar la operación.
5. No corte piezas de trabajo sobredimensionadas.
6. Compruebe que hay espacio suficiente debajo de la pieza de trabajo antes de cortar, de forma que la hoja de sierra no golpee contra el suelo, el banco de trabajo, etc.
7. Sujete la herramienta firmemente.
8. Asegúrese de que la hoja de sierra no está tocando la pieza de trabajo antes de activar el interruptor.
9. Mantenga las manos alejadas de las partes en movimiento.
10. No deje la herramienta en marcha. Opere la herramienta solamente cuando la tenga sujeta con las manos.
11. Apague siempre la herramienta y espere hasta que la hoja de sierra se haya parado completamente antes de retirar la hoja de sierra de la pieza de trabajo.
12. No toque la hoja de sierra o la pieza de trabajo inmediatamente después de la operación; podrán estar muy calientes y quemarle la piel.
13. No utilice la herramienta sin carga innecesariamente.
14. Algunos materiales contienen sustancias químicas que podrán ser tóxicas. Tenga precaución para evitar la inhalación de polvo y el contacto con la piel. siga los datos de seguridad del abastecedor del material.
15. Utilice siempre la mascarilla contra el polvo/respirador correcto para el material y la aplicación con que esté trabajando.

GUARDE ESTAS INSTRUCCIONES.

⚠ ADVERTENCIA:

NO deje que la comodidad o familiaridad con el producto (a base de utilizarlo repetidamente) sustituya la estricta observancia de las normas de seguridad para el producto en cuestión. El MAL USO o el no seguir las normas de seguridad establecidas en este manual de instrucciones podrá ocasionar graves heridas personales.

DESCRIPCIÓN FUNCIONAL

⚠ PRECAUCIÓN:

- Cerciérese siempre de que la herramienta está apagada y desenchufada antes de ajustar la herramienta o comprobar alguna de sus funciones.

Selección de la acción de corte (Para los modelos 4328/4329) (Fig. 1)

Este herramienta se puede utilizar con una acción de corte orbital o de línea recta (hacia arriba y hacia abajo). La acción de corte orbital empuja hacia delante a la hoja de sierra en el recorrido de corte y aumenta notablemente la velocidad de corte.

Para cambiar la acción de corte, no tiene más que girar la palanca de cambio de la acción de corte hasta la posición de acción de corte deseada.

Consulte la tabla para seleccionar el modo de corte apropiado.

| Posición | Acción de corte | Aplicaciones |
|----------|------------------------------------|---|
| 0 | Acción de corte de línea recta | Para cortar acero blando, acero inoxidable y plásticos. |
| | | Para cortar limpiamente madera y contrachapado. |
| I | Acción de corte con pequeña órbita | Para cortar acero blando, aluminio y madera dura. |
| II | Acción de corte con mediana órbita | Para cortar madera y contrachapado. |
| | | Para cortar rápidamente aluminio y acero blando. |
| III | Acción de corte con gran órbita | Para cortar rápidamente madera y contrachapado. |

006582

Accionamiento del interruptor (Fig. 2)

⚠ PRECAUCIÓN:

- Antes de enchufar la herramienta, compruebe siempre que el gatillo interruptor se acciona correctamente y que vuelve a la posición "OFF" cuando lo suelta.

Para poner en marcha la herramienta, apriete simplemente el gatillo. Para pararla, suelte el gatillo.

Para operación continua, apriete el gatillo y luego empuje hacia adentro el botón de bloqueo.

Para parar la herramienta estando bloqueada en operación continua, presione completamente el gatillo y luego suéltelo.

Control de regulación de la velocidad (Para los modelos 4327/4328/4329) (Fig. 3)

La velocidad de la herramienta puede ajustarse en infinitas posiciones entre 500 y 3.100 carreras por minuto girando el control de regulación de velocidad. Para aumentar la velocidad, gire el control en la dirección del número 6 y, para reducirla, gírelo en la dirección del número 1.

Consulte la tabla para seleccionar la velocidad apropiada para la pieza de trabajo que vaya a cortar. Sin embargo, la velocidad apropiada podrá variar de acuerdo con el tipo o grosor de la pieza de trabajo. En general, a velocidades altas podrá cortar las piezas de trabajo más rápidamente, pero la vida útil de la hoja de sierra se acortará.

| Pieza de trabajo a cortar | Número en el control de regulación |
|---------------------------|------------------------------------|
| Madera | 5 – 6 |
| Acero suave | 3 – 6 |
| Acero inoxidable | 3 – 4 |
| Aluminio | 3 – 6 |
| Plásticos | 1 – 4 |

006583

⚠ PRECAUCIÓN:

- Si la herramienta es utilizada continuamente a baja velocidad durante largo tiempo, el motor se sobrecargará y recalentará.
- El control de regulación de la velocidad solamente se puede girar hasta el número 6 y retroceder hasta el 1. No intente forzarlo más allá del 6 o del 1, porque podría estropearlo.

MONTAJE

⚠ PRECAUCIÓN:

- Cerciórese siempre de que la herramienta esté apagada y desenchufada antes de realizar cualquier trabajo en ella.

Instalación o extracción de la hoja de sierra (Fig. 4 y 5)

⚠ PRECAUCIÓN:

- Limpie siempre todas las virutas o materias extrañas adheridas a la hoja de sierra y/o al portasierra. Si no lo hace así, podrá dar lugar a un apriete insuficiente de la hoja de sierra con el posible riesgo de sufrir lesiones graves.
- No toque la hoja de sierra ni la pieza de trabajo inmediatamente después la tarea de corte; podrían estar muy calientes y producirle quemaduras de piel.
- Sujete siempre la hoja de sierra firmemente. Un apretado insuficiente de la hoja de sierra podrá ocasionar la rotura de la misma o heridas personales graves.
- Utilice hojas de sierra tipo B solamente. Si utiliza hojas de sierra distintas del tipo B la hoja de sierra no podrá ser apretada suficientemente resultando en heridas personales graves.

Para instalar la hoja de sierra, afloje el perno del portasierra en sentido contrario a las manecillas del reloj con la llave hexagonal.

Inserte la hoja de sierra a fondo en el portasierra con los dientes de la hoja de sierra orientados hacia delante. Asegúrese de que el borde trasero de la hoja de sierra encaja en el rodillo. Después apriete el perno en sentido de las manecillas del reloj para sujetar la hoja de sierra.

Para quitar la hoja de sierra, siga el procedimiento de instalación a la inversa.

NOTA:

- Lubrique el rodillo de vez en cuando.

Para guardar la llave hexagonal (Fig. 6)

Cuando no la esté utilizando, coloque la llave hexagonal como se muestra en la figura para evitar perderla.

Ajuste del rodillo (Para los modelos 4326/4327) (Fig. 7)

Afloje el perno que hay en la parte posterior de la base de la herramienta con la llave hexagonal. Mueva el retenedor de forma que el rodillo toque ligeramente la hoja de sierra. Luego apriete el perno para sujetar la base de la herramienta y el retenedor.

NOTA:

- Lubrique el rodillo de vez en cuando.

Guardapolvo (Fig. 8)

⚠ PRECAUCIÓN:

- Póngase siempre gafas de seguridad, incluso cuando utilice la herramienta con el guardapolvo bajado.

Baje el guardapolvo para evitar que puedan salir volando las virutas. Sin embargo, cuando haga cortes en bisel, súbalo completamente.

FUNCIONAMIENTO

⚠ PRECAUCIÓN:

- Sujete siempre la base de la herramienta plana contra la pieza de trabajo. En caso contrario, la hoja de sierra podrá romperse, y ocasionarle graves lesiones.
- Avance la herramienta muy despacio cuando corte curvas o en línea no recta. Si fuerza la herramienta podrá segarse la superficie de corte y romperse la hoja de sierra.

Encienda la herramienta sin que la hoja de sierra esté tocando nada y espere hasta que la hoja de sierra alcance plena velocidad. Luego apoye la base de la herramienta plana sobre la pieza de trabajo y desplace suavemente la herramienta hacia delante siguiendo la línea de corte marcada previamente. (Fig. 9)

Corte en bisel

⚠ PRECAUCIÓN:

- Asegúrese siempre de que la herramienta esté apagada y desenchufada antes de inclinar la base de la herramienta.
- Suba completamente el guardapolvo antes de hacer cortes en bisel.

Inclinando la base, podrá hacer cortes en bisel a cualquier ángulo comprendido entre 0° y 45° (izquierdo o derecho). (Fig. 10)

Afloje el perno de la parte posterior de la base con la llave hexagonal. Mueva la base de la herramienta de forma que el perno quede situado en el centro de la ranura cruciforme de la base de la herramienta. (Fig. 11)

Incline la base hasta obtener el ángulo de bisel deseado. El borde del alojamiento del motor indica el ángulo de bisel en graduaciones. Después apriete el perno para sujetar base. (Fig. 12)

Cortes con tope en la parte delantera (Fig. 13)

Afloje el perno que hay en la parte posterior de la base de la herramienta con la llave hexagonal, y mueva la base de la herramienta completamente hacia atrás. Luego apriete el perno para sujetar la base de la herramienta.

Corte de aberturas

Los cortes de aberturas pueden realizarse con cualquiera de los dos métodos A o B.

A) Perforando un agujero de arranque

Para hacer una abertura interna sin un corte de arranque desde el borde, perfora un agujero de inicio de 12 mm o más de diámetro. Inserte la hoja de sierra en este agujero para iniciar la abertura. (Fig. 14)

B) Corte calado

Si realiza lo siguiente con cuidado, no necesitará perforar un agujero de arranque o hacer un corte desde el borde.

- (1) Incline la herramienta hacia delante sobre el borde delantero de la base, con la punta de la hoja de sierra situada justo por encima de la superficie de la pieza de trabajo. (Fig. 15)
- (2) Aplique presión sobre la herramienta para que el borde delantero de la base no se mueva cuando ponga en marcha la herramienta y baje con cuidado gradualmente la parte posterior de la herramienta.
- (3) Según la hoja de sierra vaya penetrando en la pieza de trabajo, baje gradualmente la base de la herramienta hasta la superficie de la pieza de trabajo.
- (4) Complete el corte de manera normal.

Suavizamiento de bordes (Fig. 16)

Para suavizar bordes o hacer ajustes dimensionales, pase la hoja de sierra a lo largo de bordes cortados.

Corte de metales

Utilice siempre un refrigerante adecuado (aceite de corte) cuando corte metales. Si no lo utiliza la hoja de sierra se desgastará considerablemente. En lugar de utilizar un refrigerante puede engrasar la parte inferior de la pieza de trabajo.

Extracción del polvo (Fig. 17)

Conectando esta herramienta a un aspirador Makita podrá realizar operaciones de corte limpias. Inserte la manguera del aspirador en el orificio situado en la parte posterior de la herramienta. Baje el guardapolvo antes de realizar la operación de corte.

NOTA:

- Cuando haga cortes en bisel no podrá realizar la extracción de polvo.

Guía de apoyo (accesorio opcional)

⚠ PRECAUCIÓN:

- Asegúrese siempre de que la herramienta esté apagada y desenchufada antes de instalar o desmontar accesorios.

1. Cortes rectos (Fig. 18, 19, 20 y 21)

Cuando haga cortes repetidos de 160 mm o menos de anchura, el empleo de la guía de apoyo asegurará unos cortes rápidos, limpios y rectos.

Para instalarla, inserte la guía de apoyo en el orificio rectangular situado en el costado de la base de la herramienta con la guía lateral mirando hacia abajo. Deslice la guía de apoyo hasta la posición que le ofrezca la anchura de corte deseada, luego apriete el perno para sujetarla.

2. Cortes circulares (Fig. 22, 23, 24 y 25)

Cuando corte círculos o arcos de 170 mm o menos de radio, instale la guía de apoyo de la siguiente forma.

Inserte la guía de apoyo en el orificio rectangular situado en el costado de la base de la herramienta con la guía lateral mirando hacia arriba. Inserte el pasador de la guía circular en uno de los dos orificios de la guía lateral. Rosque la perilla roscada en el pasador para sujetar el pasador.

Ahora deslice la guía de apoyo hasta el radio de corte deseado, y apriete el perno para sujetarla en esa posición. Luego mueva la base de la herramienta completamente hacia delante.

NOTA:

- Cuando corte círculos o arcos, utilice siempre hojas de corte N.º B-17, B-18, B-26 o B-27.

Dispositivo antiastillas para base de acero (accesorio opcional) (Fig. 26)

Para hacer cortes sin astillas, puede utilizar el dispositivo antiastillas. Para instalar el dispositivo antiastillas, mueva la base hacia delante a tope e insértelo entre las dos protuberancias de la base.

NOTA:

- El dispositivo antiastillas no puede utilizarse cuando se hacen cortes en bisel.

Dispositivo antiastillas para base de aluminio (accesorio opcional) (Fig. 27)

Para cortes sin astillas, se puede utilizar el dispositivo antiastillas. Para instalar el dispositivo antiastillas, mueva la base de la herramienta hacia delante a tope y encájelo en la parte posterior de la base de la herramienta. Cuando utilice la placa de rozamiento, instale el dispositivo antiastillas en la placa de rozamiento.

⚠ PRECAUCIÓN:

- Cuando haga cortes en bisel no podrá utilizar el dispositivo antiastillas.

Placa de rozamiento para base de aluminio (accesorio opcional) (Fig. 28)

Utilice la placa de rozamiento cuando corte chapas de revestimiento decorativas, plásticos, etc. Proteja las superficies sensibles o delicadas contra daños. Encájela en la parte posterior de la base de la herramienta.

MANTENIMIENTO

⚠ PRECAUCIÓN:

- Asegúrese siempre de que la herramienta esté apagada y desenchufada antes de intentar realizar una inspección o mantenimiento.
- No utilice nunca gasolina, bencina, disolvente, alcohol o similares. Podría producir descoloración, deformación o grietas.

Para mantener la SEGURIDAD y FIABILIDAD del producto, las reparaciones, la inspección y sustitución de las escobillas de carbón, y cualquier otro mantenimiento o ajuste deberán ser realizados en Centros o Servicios Autorizados por Makita, empleando siempre piezas de repuesto de Makita.

ACCESORIOS OPCIONALES

PRECAUCIÓN:

- Estos accesorios o acoplamientos están recomendados para utilizar con su herramienta Makita especificada en este manual. El empleo de cualesquiera otros accesorios o acoplamientos conllevará un riesgo de sufrir heridas personales. Utilice los accesorios o acoplamientos solamente para su fin establecido.

Si necesita cualquier ayuda para más detalles en relación con estos accesorios, pregunte a su centro de servicio Makita local.

- Hoja de sierra de calar
- Llave hexagonal 3
- Conjunto de guía de apoyo (regla guía)
- Dispositivo antiastillas
- Manguera (Para aspirador)
- Placa de rozamiento (Para tipo base de aluminio)

NOTA:

- Algunos elementos de la lista podrán estar incluidos en el paquete de la herramienta como accesorios estándar. Pueden variar de un país a otro.

ENG905-1

Ruido

El nivel de ruido A-ponderado típico determinado de acuerdo con la norma EN62841-2-11:

Modelo 4326, 4327

Nivel de presión sonora (L_{pA}): 89 dB (A)
 Nivel de potencia sonora (L_{WA}): 97 dB (A)
 Error (K): 3 dB (A)

Modelo 4328, 4329

Nivel de presión sonora (L_{pA}): 86 dB (A)
 Nivel de potencia sonora (L_{WA}): 94 dB (A)
 Error (K): 3 dB (A)

ENG907-1

NOTA:

- El valor (o valores) de emisión de ruido declarado ha sido medido de acuerdo con un método de prueba estándar y se puede utilizar para comparar una herramienta con otra.
- El valor (o valores) de emisión de ruido declarado también se puede utilizar en una valoración preliminar de exposición.

ADVERTENCIA:

- Póngase protectores en los oídos.
- La emisión de ruido durante la utilización real de la herramienta eléctrica puede variar del valor (o valores) declarado dependiendo de las formas en las que la herramienta sea utilizada especialmente qué tipo de pieza de trabajo se procesa.
- Asegúrese de identificar medidas de seguridad para proteger al operario que estén basadas en una estimación de la exposición en las condiciones reales de utilización (teniendo en cuenta todas las partes del ciclo operativo tal como las veces cuando la herramienta está apagada y cuando está funcionando en vacío además del tiempo de gatillo).

Vibración

El valor total de la vibración (suma de vectores triaxiales) determinado de acuerdo con la norma EN62841-2-11:

Modelo 4326, 4327

Modo tarea: corte de tableros
 Emisión de vibración ($a_{h, B}$): 5,5 m/s²
 Error (K): 1,5 m/s²

Modo tarea: corte de chapa de acero
 Emisión de vibración ($a_{h, M}$): 5,5 m/s²
 Error (K): 1,5 m/s²

Modelo 4328, 4329

Modo tarea: corte de tableros
 Emisión de vibración ($a_{h, B}$): 7,0 m/s²
 Error (K): 1,5 m/s²

Modo tarea: corte de chapa de acero
 Emisión de vibración ($a_{h, M}$): 5,0 m/s²
 Error (K): 1,5 m/s²

ENG901-2

NOTA:

- El valor (o valores) total de emisión de vibración declarado ha sido medido de acuerdo con un método de prueba estándar y se puede utilizar para comparar una herramienta con otra.
- El valor (o valores) total de vibración declarado también se puede utilizar en una valoración preliminar de exposición.

ADVERTENCIA:

- La emisión de vibración durante la utilización real de la herramienta eléctrica puede variar del valor (o valores) declarado dependiendo de las formas en las que la herramienta sea utilizada especialmente qué tipo de pieza de trabajo se procesa.
- Asegúrese de identificar medidas de seguridad para proteger al operario que estén basadas en una estimación de la exposición en las condiciones reales de utilización (teniendo en cuenta todas las partes del ciclo operativo tal como las veces cuando la herramienta está apagada y cuando está funcionando en vacío además del tiempo de gatillo).

DECLARACIONES DE CONFORMIDAD

Para países europeos solamente

Las declaraciones de conformidad están incluidas como Anexo A de este manual de instrucciones.

Explicação geral

| | | |
|--|--|---------------------------------|
| 1 Alavanca de mudança da ação de corte | 11 Suporte | 22 Guia |
| 2 Gatilho de interruptor | 12 Base | 23 Vedação guia |
| 3 Botão de bloqueio | 13 Cobertura contra o pó | 24 Botão roscado |
| 4 Marcador de regulação de velocidade | 14 Linha de corte | 25 Haste |
| 5 Suporte da lâmina | 15 Extremidade | 26 Mecanismo de antifracturação |
| 6 Perno | 16 Graduações | 27 Protuberância |
| 7 Chave hexagonal | 17 Orifício de início | 28 Base de alumínio |
| 8 Lâmina | 18 Mangueira | 29 Placa de cobertura |
| 9 Cilindro | 19 Tipo base de aço | |
| 10 Gancho | 20 Vedação para escarificação (régua guia) | |
| | 21 Tipo base de alumínio | |

ESPECIFICAÇÕES

| | | | | | |
|---|--------------------------------|--------------------------------|-------------|-------------|-------------|
| Modelo | | 4326 | 4327 | 4328 | 4329 |
| Comprimento do corte | | 18 mm | 18 mm | 18 mm | 18 mm |
| Tipo de lâmina | | Tipo B | | | |
| Capacidade máxima de corte | Madeira | 65 mm | 65 mm | 65 mm | 65 mm |
| | Aço macio | 6 mm | 6 mm | 6 mm | 6 mm |
| Cortes por minutos (min ⁻¹) | | 3.100 | 500 – 3.100 | 500 – 3.100 | 500 – 3.100 |
| Comprimento total | 217 mm (Tipo base de aço) | 217 mm (Tipo base de aço) | 217 mm | 223 mm | |
| | 223 mm (Tipo base de alumínio) | 223 mm (Tipo base de alumínio) | | | |
| Peso líquido | | 1,9 kg | 1,9 kg | 1,8 kg | 1,9 kg |
| Classe de segurança | | II/II | | | |

- Devido a um programa contínuo de pesquisa e desenvolvimento, estas especificações podem ser alteradas sem aviso prévio.
- As especificações podem variar de país para país.
- Peso de acordo com o Procedimento 01/2014 da EPTA (European Power Tool Association)

Utilização pretendida

ENE019-1

A ferramenta foi concebida para a serragem de madeira, plásticos e materiais metálicos. Como resultado dos imensos acessórios e dos programas da lâmina da serra, a ferramenta pode ser utilizada para muitos fins e é adequada para cortes curvos ou circulares.

Guarde todos os avisos e instruções para futuras referências.

O termo “ferramenta elétrica” nos avisos refere-se às ferramentas elétricas ligadas à corrente elétrica (com cabo) ou às ferramentas elétricas operadas por meio de bateria (sem cabo).

GEB18-1

Alimentação

ENF002-2

A ferramenta só deve ser ligada a uma fonte de alimentação com a mesma voltagem da indicada na placa de características, e só funciona com alimentação de corrente alterna monofásica. Tem um sistema de isolamento duplo e pode, por isso, utilizar tomadas sem ligação à terra.

AVISOS DE SEGURANÇA DA SERRA TICO-TICO

1. **Segure na ferramenta elétrica pelas superfícies de aderência isoladas quando executar uma operação em que o acessório de corte possa entrar em contacto com fios ocultos ou com o seu próprio cabo.** O contacto do acessório de corte com um fio elétrico “sob tensão” pode tornar as partes metálicas expostas da ferramenta elétrica “sob tensão” e pode causar um choque elétrico ao operador.
2. **Utilize grampos ou qualquer outro modo prático para prender e suportar a peça de trabalho numa superfície estável.** Segurar na peça de trabalho com a mão ou contra o corpo deixa-a instável e pode levar à perda de controlo.

GEA010-2

Avisos gerais de segurança para ferramentas elétricas

⚠ AVISO Leia todos os avisos de segurança, instruções, ilustrações e especificações fornecidos com esta ferramenta elétrica. O não cumprimento de todas as instruções indicadas em baixo pode resultar em choque elétrico, incêndio e/ou ferimentos graves.

3. Utilize sempre óculos de segurança. Os óculos normais ou de sol NÃO são óculos de segurança.
4. Evite cortar pregos. Inspeccione a peça de trabalho e se tiver pregos, tire-os antes da operação.
5. Não corte peças de trabalho de tamanho muito grande.
6. Verifique se tem a folga adequada sob a peça de trabalho antes de cortar, de modo a que a serra não bata no chão, bancada, etc.
7. Segure firmemente na ferramenta.
8. Certifique-se de que a serra não está em contacto com a peça de trabalho antes de ligar o interruptor.
9. Mantenha as mãos afastadas das partes em movimento.
10. Não deixe a ferramenta a funcionar. Utilize a ferramenta apenas quando estiver na sua mão.
11. Desligue sempre e espere que a serra pare completamente antes de retirar a serra da peça de trabalho.
12. Não toque na serra ou na peça de trabalho imediatamente a seguir à operação pois podem estar extremamente quentes e provocar queimaduras.
13. Não utilize com a ferramenta em vazio desnecessariamente.
14. Alguns materiais contêm químicos que podem ser tóxicos. Tome todas as precauções para impedir a inalação de poeiras e o contacto com a pele. Siga os dados de segurança do fornecedor do material.
15. Utilize sempre a máscara de pó/respirador correto para o material e a aplicação com que está a trabalhar.

GUARDE ESTAS INSTRUÇÕES.



AVISO:

NÃO permita que o conforto ou familiaridade com o produto (adquirido com o uso repetido) substitua o cumprimento estrito das regras de segurança da ferramenta. A MÁ INTERPRETAÇÃO ou o não seguimento das regras de segurança estabelecidas neste manual de instruções pode provocar ferimentos pessoais graves.

DESCRIÇÃO DO FUNCIONAMENTO

⚠ PRECAUÇÃO:

- Antes de efetuar qualquer inspeção ou ajuste na ferramenta, verifique sempre se desligou a ferramenta e retirou a ficha da tomada de corrente.

Seleção da ação de corte (Para os modelos 4328/4329) (Fig. 1)

Esta ferramenta pode funcionar com uma ação de corte de linha orbital ou direita (para cima e para baixo). A ação de corte orbital empurra a lâmina para a frente na pancada de corte e aumenta grandemente a velocidade de corte.

Para mudar a ação de corte, rode simplesmente a alavanca de mudança de ação de corte para a posição da ação de corte desejada.

Refira-se à tabela para selecionar a ação de corte apropriada.

| Posição | Ação de corte | Aplicações |
|---------|---------------------------------|--|
| 0 | Ação de corte de linha direita | Para cortes em aço macio, aço inoxidável e plástico. |
| | | Para cortes limpos em madeira e contraplacado. |
| I | Ação de corte de órbita pequena | Para cortar aço médio, alumínio e madeira dura. |
| II | Ação de corte de órbita média | Para cortar madeira e contraplacado. |
| | | Para cortes rápidos em alumínio e aço mole. |
| III | Ação de corte de órbita larga | Para cortes rápidos em madeira e contraplacado. |

006582

Ação do interruptor (Fig. 2)

⚠ PRECAUÇÃO:

- Antes de ligar a ferramenta à corrente, certifique-se sempre de que o gatilho funciona corretamente e volta para a posição "OFF" quando libertado.

Para ligar a ferramenta carregue simplesmente no gatilho. Liberte o gatilho para parar.

Para funcionamento contínuo, carregue no gatilho e em seguida empurre o botão de bloqueio.

Para parar a ferramenta na posição de bloqueio, carregue no gatilho completamente e em seguida liberte-o.

Marcador de regulação de velocidade (Para os modelos 4327/4328/4329) (Fig. 3)

A velocidade da ferramenta pode ser regulada infinitamente entre 500 e 3.100 cortes por minuto rodando o marcador de regulação. Obtém maior velocidade quando roda o marcador na direção do número 6; obtém menor velocidade quando o roda na direção do número 1.

Refira-se à tabela para selecionar a velocidade adequada para a peça a cortar. No entanto, a velocidade apropriada pode ser diferente conforme a espessura da peça de trabalho. Em geral, maior velocidade permite o corte mais rápido de peças mas a vida útil da lâmina será reduzida.

| Peça a ser cortada | Número no marcador de regulação |
|--------------------|---------------------------------|
| Madeira | 5 – 6 |
| Aço macio | 3 – 6 |
| Aço inoxidável | 3 – 4 |
| Alumínio | 3 – 6 |
| Plásticos | 1 – 4 |

006583

⚠️ PRECAUÇÃO:

- Se funcionar com a ferramenta continuamente em velocidade baixa durante longo tempo, o motor ficará sobrecarregado e aquecerá.
- O marcador de regulação de velocidade só pode ser rodado até ao 6 e ao 1. Não o force para ultrapassar o 6 ou o 1, ou a função de regulação de velocidade poderá ficar estragada.

MONTAGEM

⚠️ PRECAUÇÃO:

- Antes de efetuar qualquer inspeção ou manutenção na ferramenta, desligue sempre a ferramenta e retire a ficha da tomada de corrente.

Colocar ou retirar a lâmina da serra (Fig. 4 e 5)

⚠️ PRECAUÇÃO:

- Limpe sempre todas as partículas e matérias estranhas aderentes à lâmina e/ou suporte da lâmina. Se não o fizer pode originar insuficiente aperto da lâmina que pode causar um acidente.
- Não toque na lâmina ou na peça de trabalho imediatamente depois da operação; podem estar extremamente quentes e pode queimar-se.
- Prenda sempre a lâmina firmemente. Aperto insuficiente da lâmina pode causar que a lâmina se estrague ou danos pessoais sérios.
- Utilize só lâminas tipo B. A utilização de lâminas que não sejam tipo B causa insuficiente aperto da lâmina, resultando em danos pessoais sérios.

Para instalar a lâmina, solte o parafuso para a esquerda no suporte da lâmina com a chave hexagonal.

Com os dentes da lâmina virados para a frente, coloque a lâmina no suporte da lâmina o mais fundo possível. Certifique-se de que a extremidade traseira da lâmina encaixa no cilindro. Em seguida aperte o parafuso para a direita para prender a lâmina.

Para retirar a lâmina, execute inversamente o procedimento de instalação.

NOTA:

- Lubrifique o cilindro ocasionalmente.

Armazenamento da chave hexagonal (Fig. 6)

Quando não a estiver a utilizar, guarde a chave hexagonal como indicado na figura para não a perder.

Regulação do cilindro (Para os modelos 4326/4327) (Fig. 7)

Liberte o perno na parte traseira da base da ferramenta com a chave hexagonal. Mova o suporte de modo a que o cilindro contacte ligeiramente com a base. Em seguida aperte o perno para prender a base da ferramenta e o suporte.

NOTA:

- Lubrifique o cilindro ocasionalmente.

Cobertura contra o pó (Fig. 8)

⚠️ PRECAUÇÃO:

- Utilize sempre óculos de segurança mesmo quando funcionar com a ferramenta com a cobertura contra o pó baixada.

Baixe a cobertura contra o pó para evitar que as partículas saltem. No entanto, quando fizer cortes de esquadria, levante-a completamente.

FUNCIONAMENTO

⚠️ PRECAUÇÃO:

- Mantenha sempre a base da ferramenta nivelada com a peça de trabalho. Se assim não for pode estragar a lâmina e causar uma acidente.
- Avance com a ferramenta muito devagar quando corta curvas ou desbasta. Forçar a ferramenta pode causar uma superfície desnivelada e estragar a lâmina.

Ligue a ferramenta sem a lâmina fazer qualquer contacto e espere até que a lâmina atinja toda a velocidade. Em seguida assente a base da ferramenta na peça de trabalho e mova a ferramenta suavemente ao longo da linha de corte marcada anteriormente. (Fig. 9)

Cortes de esquadria

⚠️ PRECAUÇÃO:

- Certifique-se sempre de que a ferramenta está desligada e a ficha retirada da tomada antes de inclinar a base da ferramenta.
- Levante a cobertura contra o pó completamente antes de fazer cortes de esquadria.

Com a base da ferramenta inclinada, pode fazer cortes de bisel em qualquer ângulo entre 0° e 45° (esquerdo ou direito). (Fig. 10)

Liberte o perno na parte traseira da base com a chave hexagonal. Mova a base da ferramenta de modo a que o perno fique colocado no centro da ranhura em forma de cruz na base da ferramenta. (Fig. 11)

Incline a base até que obtenha o ângulo de bisel desejado. A extremidade da caixa do motor indica o ângulo de bisel em graduações. Em seguida aperte o parafuso para prender a base. (Fig. 12)

Corte de topo frontal (Fig. 13)

Liberte o perno na parte traseira da ferramenta com a chave hexagonal e em seguida mova a base da ferramenta completamente para trás. Aperte o perno para prender a base da ferramenta.

Recortes

Os recortes podem ser feitos de duas maneiras, A ou B.

A) Fazendo um orifício inicial

Para recortes internos sem um corte de passagem na extremidade, perfure um orifício inicial com 12 mm ou mais de diâmetro. Coloque a lâmina neste orifício para iniciar o corte. (Fig. 14)

B) Corte penetrante

Não necessita de fazer um orifício de início ou um corte de passagem se fizer cuidadosamente o que se segue.

- (1) Incline a ferramenta para cima na extremidade frontal da base, com a ponta da lâmina colocada mesmo acima da superfície de trabalho. (Fig. 15)

- (2) Aplique pressão na ferramenta de modo a que a extremidade frontal da base não se mova quando liga a ferramenta e suavemente e devagar desça a extremidade traseira da ferramenta.
- (3) Quando a lâmina fura a peça de trabalho, desça devagar a base da ferramenta para a superfície da peça de trabalho.
- (4) Acabe o corte do modo normal.

Acabamento das extremidades (Fig. 16)

Para aparar as extremidades ou fazer ajustes de dimensões, passe ligeiramente com a lâmina ao longo das extremidades do corte.

Corte de metal

Utilize sempre um lubrificante adequado (óleo de corte) quando corta metal. Caso contrário, provocará desgaste da lâmina. A parte inferior poderá ser oleada em vez de utilizar lubrificante.

Extração do pó (Fig. 17)

Pode executar uma operação de corte limpa ligando esta ferramenta a um aspirador da Makita. Coloque a mangueira do aspirador no orifício na parte traseira da ferramenta. Baixe a cobertura contra o pó antes da operação.

NOTA:

- Não pode fazer a extração do pó quando executa cortes de esquadria.

Vedação para escarificação (acessório opcional)

⚠ PRECAUÇÃO:

- Certifique-se sempre de que a ferramenta está desligada e a ficha retirada da tomada antes de colocar ou retirar acessórios.

1. Cortes retos (Fig. 18, 19, 20 e 21)

Quando corta repetidamente larguras de 160 mm ou menos, a utilização da vedação para escarificação assegurará um corte mais rápido, limpo e direito.

Para a instalar, coloque a vedação para escarificação no orifício retangular no lado da base ferramenta com a vedação guia voltada para baixo. Deslize a vedação para escarificação para a posição desejada de largura do corte e em seguida aperte o perno para a prender.

2. Cortes circulares (Fig. 22, 23, 24 e 25)

Quando corta círculos ou arcos com 170 mm ou menos de raio, coloque a vedação para escarificação como se segue.

Coloque a vedação para escarificação no orifício retangular no lado da base da ferramenta com a vedação guia voltada para cima. Introduza a haste para a guia circular num dos dois orifícios da vedação guia. Aparafuse o botão roscado na haste para a prender.

Em seguida deslize a vedação para escarificação para o raio de corte desejado e em seguida aperte o perno para a prender. Movimente a base da ferramenta completamente para a frente.

NOTA:

- Utilize sempre lâminas N. B-17, B-18, B-26 ou B-27 quando corta círculos ou arcos.

Mecanismo de antifragmentação para base de aço (acessório opcional) (Fig. 26)

Para cortes sem fragmentação, pode utilizar o mecanismo de antifragmentação. Para instalar o mecanismo de antifragmentação, deslize a base completamente para a frente e insira-a entre as duas protuberâncias na base.

NOTA:

- Não pode usar o mecanismo de antifragmentação quando faz cortes de bisel.

Mecanismo de antifragmentação para base de alumínio (acessório opcional) (Fig. 27)

Para cortes sem fragmentação, pode utilizar o mecanismo de antifragmentação. Para instalar o mecanismo de antifragmentação, desloque a base da ferramenta completamente para a frente e coloque-a na base traseira da base da ferramenta. Quando utiliza a placa de cobertura, instale o mecanismo de antifragmentação na placa de cobertura.

⚠ PRECAUÇÃO:

- Não pode utilizar o mecanismo de antifragmentação quando executa cortes de esquadria.

Placa de cobertura para base de alumínio (acessório opcional) (Fig. 28)

Utilize a placa de cobertura quando corta embutidos decorativos, plásticos, etc. Protege de estragos as superfícies sensíveis ou delicadas. Coloque-a na parte traseira da base da ferramenta.

MANUTENÇÃO

⚠ PRECAUÇÃO:

- Certifique-se sempre de que a ferramenta está desligada e a ficha retirada da tomada antes de tentar executar qualquer inspeção ou manutenção.
- Nunca use gasolina, benzina, diluente, álcool ou produtos semelhantes. Pode ocorrer a descoloração, deformação ou rachaduras.

Para manter a SEGURANÇA e FIABILIDADE do produto, a reparação, inspeção e substituição da escova de carvão, bem como qualquer afinação ou manutenção devem sempre ser efetuadas num centro de assistência oficial Makita, utilizando sempre peças de substituição Makita.

ACESSÓRIOS OPCIONAIS

⚠ PRECAUÇÃO:

- Estes acessórios ou peças extra são recomendadas para utilização com a sua ferramenta Makita especificada neste manual. A utilização de qualquer outros acessórios ou peças extra podem apresentar o risco de ferimentos. Só utilize os acessórios ou peças extras para o fim a que são destinados.

Se necessitar de informações adicionais relativas a estes acessórios, solicite-as ao seu centro de assistência Makita.

- Lâmina da serra de vaivém
- Chave hexagonal 3
- Conjunto de vedações para escarificação (régua guia)
- Mecanismo de antifragmentação
- Mangueira (Para o aspirador do pó)
- Placa de cobertura (Para base tipo de alumínio)

NOTA:

- Alguns itens da lista podem estar incluídos na embalagem da ferramenta como acessórios padrão. Eles podem variar de país para país.

ENG905-1

Ruído

A característica do nível de ruído A determinado de acordo com EN62841-2-11:

Modelo 4326, 4327

Nível de pressão de som (L_{pA}): 89 dB (A)

Nível do som (L_{WA}): 97 dB (A)

Variabilidade (K): 3 dB (A)

Modelo 4328, 4329

Nível de pressão de som (L_{pA}): 86 dB (A)

Nível do som (L_{WA}): 94 dB (A)

Variabilidade (K): 3 dB (A)

ENG907-1

NOTA:

- O(s) valor(es) de emissão de ruído indicado(s) foi medido de acordo com um método de teste padrão e pode ser utilizado para comparar duas ferramentas.
- O(s) valor(es) de emissão de ruído indicado(s) também pode ser utilizado numa avaliação preliminar da exposição.

⚠️ AVISO:

- **Utilize protetores para os ouvidos.**
- **A emissão de ruído durante a utilização efetiva da ferramenta elétrica pode diferir do(s) valor(es) indicado(s) em função das formas como a ferramenta é utilizada, especialmente em relação ao tipo de peça de trabalho que é processada.**
- **Certifique-se de identificar as medidas de segurança para proteção do operador que sejam baseadas em uma estimativa de exposição em condições reais de utilização (considerando todas as partes do ciclo de operação, tal como quando a ferramenta está desligada e quando está a funcionar em marcha lenta além do tempo de acionamento).**

ENG900-1

Vibração

Valor total da vibração (soma vetorial tri-axial) determinado de acordo com EN62841-2-11:

Modelo 4326, 4327

Modo de funcionamento: cortar tábuas

Emissão de vibração ($a_{h, E}$): 5,5 m/s²

Variabilidade (K): 1,5 m/s²

Modo de funcionamento: cortar chapas metálicas

Emissão de vibração ($a_{h, M}$): 5,5 m/s²

Variabilidade (K): 1,5 m/s²

Modelo 4328, 4329

Modo de funcionamento: cortar tábuas

Emissão de vibração ($a_{h, E}$): 7,0 m/s²

Variabilidade (K): 1,5 m/s²

Modo de funcionamento: cortar chapas metálicas

Emissão de vibração ($a_{h, M}$): 5,0 m/s²

Variabilidade (K): 1,5 m/s²

NOTA:

- O(s) valor(es) totais de vibração indicado(s) foi medido de acordo com um método de teste padrão e pode ser utilizado para comparar duas ferramentas.
- O(s) valor(es) totais de vibração indicado(s) pode também ser utilizado na avaliação preliminar da exposição.

⚠️ AVISO:

- **A emissão de vibração durante a utilização real da ferramenta elétrica pode diferir do(s) valor(es) indicado(s), dependendo das formas como a ferramenta é utilizada, especialmente em relação ao tipo de peça de trabalho que é processada.**
- **Certifique-se de identificar as medidas de segurança para proteção do operador que sejam baseadas em uma estimativa de exposição em condições reais de utilização (considerando todas as partes do ciclo de operação, tal como quando a ferramenta está desligada e quando está a funcionar em marcha lenta além do tempo de acionamento).**

DECLARAÇÕES DE CONFORMIDADE**Apenas para os países europeus**

As Declarações de conformidade estão incluídas no Anexo A deste manual de instruções.

Illustrationsoversigt

| | | |
|--------------------|--|-----------------------|
| 1 Savemådevælger | 12 Sål | 22 Guideanlæg |
| 2 Afbryderkontakt | 13 Støvdæksel | 23 Anlægsskinne |
| 3 Låseknop | 14 Snitlinie | 24 Kuglegreb |
| 4 Hastighedsvælger | 15 Kant | 25 Stift |
| 5 Klingeholder | 16 Graduering | 26 Antislip-anordning |
| 6 Bolt | 17 Starthul | 27 Fremspring |
| 7 Unbrakonøgle | 18 Slange | 28 Aluminiumssål |
| 8 Klinge | 19 Type med stålsål | 29 Fodplade |
| 9 Trykrulle | 20 Parallellanslag (støtteforings-sæt) | |
| 10 Krog | 21 Type med aluminiumssål | |
| 11 Holder | | |

SPECIFIKATIONER

| | | | | | |
|-------------------------------------|------------------------------------|------------------------------------|-------------|-------------|-------|
| Model | 4326 | 4327 | 4328 | 4329 | |
| Slaglængde | 18 mm | 18 mm | 18 mm | 18 mm | |
| Klingetype | B-type | | | | |
| Maksimal snitkapacitet | Træ | 65 mm | 65 mm | 65 mm | 65 mm |
| | Smedestål | 6 mm | 6 mm | 6 mm | 6 mm |
| Slag per minut (min ⁻¹) | 3 100 | 500 – 3 100 | 500 – 3 100 | 500 – 3 100 | |
| Længde | 217 mm (Type med stålsål) | 217 mm (Type med stålsål) | 217 mm | 223 mm | |
| | 223 mm (Type med aluminiumssål) | 223 mm (Type med aluminiumssål) | | | |
| Vægt | 1,9 kg | 1,9 kg | 1,8 kg | 1,9 kg | |
| Sikkerhedsklasse | □/II | | | | |

- På grund af vores kontinuerlige forskningsprogrammer og udvikling, kan hosstående specifikationer blive ændret uden varsel.
- Specifikationer kan variere fra land til land.
- Vægt i henhold til EPTA-Procedure 01/2014

Tilsigtet anvendelse

Denne maskine er beregnet til savning i træ, plast- og metalmaterialer. Takket være det omfattende udvalg i tilbehør og savklinger, kan maskinen anvendes til mange formål og er velegnet til at save buer og cirkler.

ENE019-1

Ordet "el-værktøj" i advarslerne henviser til det netforsyede (netledning) el-værktøj eller batteriforsyede (akku) el-værktøj.

GEB186-1

Netspænding

Maskinen må kun tilsluttes en strømforsyning med samme spænding som angivet på typeskiltet, og kan kun anvendes på enfaset vekselstrømsforsyning. Den er dobbeltisoleret og kan derfor også tilsluttes netstik uden jordforbindelse.

ENF002-2

GEA010-2

Almindelige sikkerhedsregler for el-værktøj

⚠ ADVARSEL Læs alle de sikkerhedsadvarsler, instruktioner, illustrationer og specifikationer, der følger med denne maskine. Forsømmelse af at overholde alle nedenstående instruktioner kan medføre elektrisk stød, brand og/eller alvorlig personskade.

Gem alle advarsler og instruktioner til fremtidig reference.

SIKKERHEDSADVARSLER FOR STIKSAV

1. **Hold maskinen i de isolerede håndtagsflader, når der udføres et arbejde, hvor det skærende tilbehør kan komme i kontakt med skjulte ledninger eller dens egen ledning.** Skærende tilbehør, som kommer i kontakt med en strømførende ledning, kan bevirke, at udsatte metaldele på maskinen bliver strømførende, hvorved operatøren kan få elektrisk stød.
2. **Anvend spændestykker eller en anden praktisk måde til at fastspænde og støtte arbejdsemnet til en stabil flade.** Hvis arbejdsemnet holdes med hånden eller støttes mod kroppen, vil det være ustabil, hvilket kan medføre, at De mister kontrollen over det.
3. **Anvend altid sikkerhedsbriller eller beskyttelsesbriller.** Almindelige briller eller solbriller er IKKE sikkerhedsbriller.
4. **Undgå at save i søm. Tjek arbejdsemnet for søm, og fjern dem, før arbejdet påbegyndes.**

5. Sav ikke i for store arbejdsemner.
6. Tjek for tilstrækkelig frigang under arbejdsemnet, før der saves, så klingen ikke rammer gulvet, arbejdsbænken eller lignende.
7. Hold godt fast i maskinen.
8. Sørg for, at klingen ikke er i kontakt med arbejdsemnet, før der trykkes på afbryderen.
9. Hold hænderne væk fra bevægelige dele.
10. Lad ikke maskinen køre. Anvend kun maskinen, når den holdes i hænderne.
11. Sluk altid, og vent, indtil klingen står helt stille, før klingens fjernes fra arbejdsemnet.
12. Rør ikke ved klingens eller arbejdsemnet umiddelbart efter anvendelse. De kan begge være meget varme og forårsage forbrænding af huden.
13. Anvend ikke maskinen unødigt uden belastning.

14. Nogle materialer indeholder kemikalier, der kan være giftige. Sørg for at undgå at indånde støv samt kontakt med huden. Overhold materialeleverandørens sikkerhedsdata.
15. Anvend altid korrekt støvmaske/åndedrætsværn i henhold til det materiale og den anvendelse, De arbejder med.

GEM DISSE FORSKRIFTER.

ADVARSEL:

LAD IKKE bekvemmelighed eller kendskab til produktet (opnået gennem gentagen brug) forhindre, at sikkerhedsforskrifterne for produktet nøje overholdes. MISBRUG eller forsømmelse af at følge de i denne brugsvejledning givne sikkerhedsforskrifter kan medføre alvorlig personskade.

FUNKTIONSBESKRIVELSE

FORSIGTIG:

- Sørg altid for at maskinen er slukket og netstikket er trukket ud, før der udføres justering eller eftersyn af maskinens funktioner.

Valg af savemåde (Til modellerne 4328/4329) (Fig. 1)

Denne maskine kan save med penduludsving eller en lineær bevægelse (op og ned). Savemåden med penduludsving støder klingens fremad samtidig med slaget og forøger savehastigheden betydeligt.

For at skifte savemåde drejes savemådevælgeren blot hen på positionen for den ønskede savemåde.

Se tabellen herunder for at vælge den rigtige skæremåde.

| Position | Klingebevægelse | Anvendelse |
|----------|----------------------------|--|
| 0 | Lineær | Savning i alm. stål, rustfrit stål og plastic. |
| | | Rent snit i træ og krydsfiner. |
| I | Med lille penduludsving | Savning i alm. stål, aluminium og hårdt træ. |
| II | Med medium penduludsving | Savning i træ og krydsfiner. |
| | | Hurtigsavning i aluminium og alm. stål. |
| III | Med kraftigt penduludsving | Hurtigsavning i træ og krydsfiner. |

006582

Afbryderkontakt (Fig. 2)

FORSIGTIG:

- Før maskinen sættes til netstikket, skal De altid kontrollere, at afbryderkontakten fungerer korrekt og returnerer til "OFF" positionen, når den slippes.

Tryk på afbryderkontakten for at starte maskinen. Slip afbryderkontakten for at stoppe maskinen.

Ved vedvarende arbejde trykkes på afbryderkontakten, hvorefter låseknappen trykkes ind.

For at stoppe maskinen fra denne låste indstilling trykkes afbryderkontakten helt i bund, hvorefter den slippes.

Hastighedsvælger (Til modellerne 4327/4328/4329) (Fig. 3)

Maskinhastigheden kan justeres til mellem 500 og 3 100 slag per minut ved at drejes på hastighedsvælgeren. Der opnås højere hastighed, når knappen drejes i retning mod 6; lavere hastighed opnås ved at dreje den i retning af 1.

Se tabellen herunder for at finde den korrekte hastighed til det emne, der skal saves. Den passende hastighed kan dog svinge alt efter emnets type eller tykkelse. Generelt vil højere hastighed gøre det muligt at save emner hurtigere, men savklingens levetid vil blive kortere.

| Emne der skal saves | Tal på hastighedsvælgeren |
|---------------------|---------------------------|
| Træ | 5 – 6 |
| Smedestål | 3 – 6 |
| Rustfrit stål | 3 – 4 |
| Aluminium | 3 – 6 |
| Plastic | 1 – 4 |

006583

FORSIGTIG:

- Hvis maskinen anvendes uafbrudt ved lave hastigheder i længere tid, vil motoren blive overbelastet og overophedet.
- Hastighedsvælgeren kan kun drejes så langt som til 6 og tilbage til 1. Tving den ikke forbi 6 eller 1, da hastighedsvælgerfunktionen ellers kan gå i stykker.

SAMLING

FORSIGTIG:

- Sørg altid for at maskinen er slukket, og netstikket er trukket ud, før der udføres noget arbejde på maskinen.

Montering og afmontering af savklinge (Fig. 4 og 5)

FORSIGTIG:

- Sørg for altid at fjerne spåner eller andre fremmedlegemer, der måtte klæbe til klingens og/eller klingeholderen. Forsømmelse af dette kan resultere i utilstrækkelig tilspænding af klingens, hvilket kan medføre alvorlig tilskadekomst.
- Rør ikke ved klingens eller emnets umiddelbart efter anvendelse. De kan begge være meget varme og forårsage hudforbrænding ved berøring.
- Stram altid klingens ordentligt til. Utilstrækkelig tilstramning af klingens kan føre til, at klingens brækker og til personskade.
- Anvend kun klinger af B-typen. Anvendelse af andre typer klinger end B-typen giver en utilstrækkelig stramning af klingens, hvilket kan resultere i alvorlig personskade.

Klingens monteres ved at man løsner bolten i retningen mod uret på klingeholderens med en sekskantnøgle.

Med klingens tænder vendende fremad, sættes klingens så langt som muligt ind i klingeholderens. Sørg for, at bagkanten af klingens passer ind rullen. Stram derefter bolten i retningen med uret for at fastholde klingens.

Klingens tages ud ved at man følger monteringsproceduren i modsat arbejdsretning.

BEMÆRK:

- Smør af og til trykrullen.

Opbevaring af unbrakonøglen (Fig. 6)

Når sekskantnøglen ikke er brugt, skal den opbevares som vist på illustrationen, så den ikke forsvinder.

Justerings af trykrulle (Til modellerne 4326/4327) (Fig. 7)

Løsn bolten på undersiden af maskinens sål med unbrakonøglen. Flyt holderens, så trykrullen bringes i let kontakt med klingens. Stram dernæst bolten til for at fastgøre maskinens sål og holderens.

BEMÆRK:

- Smør af og til trykrullen.

Støvdæksel (Fig. 8)

ADVARSEL:

- Bær altid sikkerhedsbriller, selv når maskinens anvendes med støvdækslet sænket.

Sænk støvdækslet for at forhindre spåner i at flyve ud. Når der imidlertid laves geringssnit, skal det hæves helt op.

BETJENING

FORSIGTIG:

- Hold altid maskinens sål plant med emnet. Hvis sålen ikke ligger plant med emnet, er der stor risiko for at klingens brækker, hvilket kan medføre alvorlig tilskadekomst.
- Fremfør maskinens meget langsomt, når der skæres kurver eller der rulles. Hvis værktøjet presses, kan det føre til en skæv skæreflade og at klingens brækker.

Tænd for maskinens uden at klingens er i kontakt med emnet, og vent til klingens er kommet op på fuld hastighed. Lad derefter maskinens sål hvile plant på arbejdsområdet og flyt forsigtigt maskinens langs den allerede markerede skærelinje. (Fig. 9)

Geringssnit

FORSIGTIG:

- Kontrollér altid, at maskinens er slået fra, og at netstikket er trukket ud af stikkontakten, før maskinens sål skrånstilles.
- Hæv støvhætten helt, før der laves geringssnit.

Med maskinens sål kippet på skrå, kan man lave skrånstik i enhver vinkel mellem 0° og 45° (venstre eller højre).

(Fig. 10)

Løsn bolten på undersiden af sålen med unbrakonøglen. Flyt maskinens sål, så bolten er anbragt i midten af den korsformede udskæring i maskinens sål. (Fig. 11)

Kip maskinens sål, indtil den ønskede geringsvinkel er opnået. Kanten af motorhuset angiver geringsvinkelen ved hjælp af gradueringer. Stram derefter bolten for at fastholde sålen. (Fig. 12)

Skæring mod kant (Fig. 13)

Løsn bolten på undersiden af maskinens sål med unbrakonøglen, og skub sålen helt bagud. Stram derefter bolten til for at fastgøre maskinens sål.

Udskæringer

Udskæringer kan laves ved hjælp af metode A eller B.

A) Boring af et starthul

Ved indvendige udskæringer, uden et indførende savspor fra en kant, startes med at der bores et starthul med en diameter på 12 mm eller mere. For savklingen ned i dette hul for at starte savningen. (Fig. 14)

B) Dyksnit

Det er ikke nødvendigt at bore et starthul, eller lave et indførende savspor fra en kant, hvis følgende udføres omhyggeligt:

- (1) Vip maskinens op, så den hviler på forkanten af sålen, med klingespidsen placeret lige over emnets overflade. (Fig. 15)
- (2) Læg tryk på maskinens, så forkanten af sålen ikke forskubber sig, når maskinens tændes, og sænk så forsigtigt den bagerste del af maskinens.
- (3) I takt med at klingens trænger igennem emnet, sænkes maskinens sål langsomt ned på emnets overflade.
- (4) Fuldfør derefter savningen på normal vis.

Afglatning af kanter (Fig. 16)

For at trimme kanter eller foretage dimensionelle justeringer køres klingens let hen langs kanten ad savsporet.

Savning af metal

Anvend altid et passende kølemiddel (skæreolie), når der savs metal. Anvendes der ikke et kølemiddel, medfører det unødvendigt slid på savklingen. I stedet for at anvende et kølemiddel kan undersiden af emnet smøres.

Støvopsugning (Fig. 17)

Ved at tilslutte denne maskine til en Makita støvsuger kan der savs, uden at det støver eller snavser til. Sæt støvsugerslangen ind i hullet på bagkanten af maskinens. Sænk støvhætten før anvendelse.

BEMÆRK:

- Støvopsugning kan ikke udføres i forbindelse med geringssnit.

Parallelanslag (ekstraudstyr)

⚠ FORSIGTIG:

- Kontrollér altid, at maskinen er slået fra, og at netstikket er trukket ud af stikkontakten, før der monteres eller afmonteres ekstraudstyr.

1. Lige snit (Fig. 18, 19, 20 og 21)

Når der gentagne gange skal saves bredder på 160 mm eller mindre, vil anvendelse af parallelanslag sikre en hurtig, ren og lige savning.

Installér parallelanslaget ved at sætte det ind i det rektangulære hul på siden af sålen, med anlægsskinnen nedad. Skyd parallelanslaget til den ønskede skærevideposition, og stram dernæst boltene til for at holde det på plads.

2. Cirkelsnit (Fig. 22, 23, 24 og 25)

Når der saves cirkler eller buer med en radius på 170 mm eller mindre, installeres parallelanslaget som følger.

Sæt parallelanslaget ind i det rektangulære hul på siden af sålen, med anlægsskinnen opad. Før centrérspidsen ind gennem et af de to huller i anlægsskinnen. Fastgør centrérspidsen ved at skru kuglegrebet på den.

Skyd nu parallelanslaget til den ønskede saveradius, og stram boltene for at holde anslaget på plads. Flyt derefter maskinens sål hele vejen frem.

BEMÆRK:

- Anvend altid klingerne Nr. B-17, B-18, B-26 eller B-27, når der saves cirkler eller buer.

Antisplint-anordning til stålsål (ekstraudstyr) (Fig. 26)

For at opnå savninger uden flossede kanter kan antisplint-anordningen anvendes. For at montere denne, skal man flytte sålen hele vejen frem og sætte den ind mellem de to fremspring på sålen.

BEMÆRK:

- Antisplint-anordningen kan ikke anvendes, når man laver geringsnit.

Antisplint-anordning til aluminiumssål (ekstraudstyr) (Fig. 27)

For at opnå savninger uden flossede kanter kan antisplint-anordningen anvendes. For at montere antisplint-anordningen flyttes maskinens sål helt fremad, hvorefter anordningen sættes på sålen nedenfra. Når De anvender fodpladen, skal antisplint-anordningen monteres oven på fodpladen.

⚠ FORSIGTIG:

- Antisplint-anordning kan ikke anvendes ved geringsnit.

Afdækningsplade til aluminiumssål (ekstraudstyr) (Fig. 28)

Anvend fodpladen, når der saves finer, plastmaterialer og lignende. Fodpladen beskytter sarte og modtagelige overflader mod ridser og skrammer. Anbring fodpladen på maskinens sål nedenfra.

VEDLIGEHODELSE

⚠ FORSIGTIG:

- Sørg altid for, at maskinen er slukket og taget ud af forbindelse, før der foretages inspektion eller vedligeholdelse.

- Anvend aldrig benzin, rensed benzin, fortynder, alkohol og lignende. Misfarvning, deformering eller revner kan blive resultatet.

For at opretholde produktets SIKKERHED og PÅLIDELIGHED, må istandsættelse, eftersyn af kulbørster og udskiftning af dele samt alle andre vedligeholdelsesarbejder og justeringer kun udføres af et autoriseret Makita-servicecenter, og der må kun anvendes udskiftningsdele fra Makita.

EKSTRAUDSTYR

⚠ FORSIGTIG:

- Dette udstyr og tilbehør bør anvendes sammen med Deres Makita maskine, sådan som det er beskrevet i denne brugsanvisning. Anvendelse af andet udstyr eller tilbehør kan udgøre en risiko for personskade. Tilbehøret bør kun anvendes til det, det er beregnet til.

Hvis De behøver hjælp ved valg af tilbehør eller ønsker yderligere informationer, bedes De kontakte Deres lokale Makita service center.

- Stiksavsklinge
- Unbrakonøgle 3
- Parallelanslagssæt (støtteføjingssæt)
- Antisplint-anordning
- Slange (Til støvsuger)
- Fodplade (Til type med aluminiumssål)

BEMÆRK:

- Nogle ting på denne liste kan være inkluderet i værktøjspakken som standardtilbehør. Det kan være forskellige fra land til land.

ENG905-1

Lyd

Det typiske A-vægtede støjniveau bestemt i overensstemmelse med EN62841-2-11:

Model 4326, 4327

Lydtrykniveau (L_{pA}): 89 dB (A)
Lydeffektniveau: (L_{WA}): 97 dB (A)
Usikkerhed (K): 3 dB (A)

Model 4328, 4329

Lydtrykniveau (L_{pA}): 86 dB (A)
Lydeffektniveau: (L_{WA}): 94 dB (A)
Usikkerhed (K): 3 dB (A)

ENG907-1

BEMÆRK:

- De(n) angivne støjemissionsværdi(er) er målt i overensstemmelse med en standardtestmetode og kan anvendes til at sammenligne én maskine med en anden.
- De(n) angivne støjemissionsværdi(er) kan også anvendes i en præliminær eksponeringsvurdering.

⚠ ADVARSEL:

- Bær høreværn.
- Støjemissionen under den faktiske anvendelse af maskinen kan være forskellig fra de(n) angivne værdi(er), afhængigt af den måde hvorpå maskinen anvendes, især den type arbejdsemne der behandles.
- Sørg for at identificere de sikkerhedsforskrifter til beskyttelse af operatøren, som er baseret på en vurdering af eksponering under de faktiske brugsforhold (med hensyntagen til alle dele i brugscyklen, som f.eks. de gange, hvor maskinen er slukket og når den kører i tomgang i tilgift til afbryderti-dnen).

Vibration

Vibrations totalværdi (tre-aksial vektorsum) bestemt i overensstemmelse med EN62841-2-11:

Model 4326, 4327

Arbejdsindstilling: savning i brædder

Vibrationsafgivelse ($a_{h, B}$): 5,5 m/s²

Usikkerhed (K): 1,5 m/s²

Arbejdsindstilling: savning i metalplader

Vibrationsafgivelse ($a_{h, M}$): 5,5 m/s²

Usikkerhed (K): 1,5 m/s²

Model 4328, 4329

Arbejdsindstilling: savning i brædder

Vibrationsafgivelse ($a_{h, B}$): 7,0 m/s²

Usikkerhed (K): 1,5 m/s²

Arbejdsindstilling: savning i metalplader

Vibrationsafgivelse ($a_{h, M}$): 5,0 m/s²

Usikkerhed (K): 1,5 m/s²

ENG901-2

BEMÆRK:

- De(n) angivne totalværdi(er) for vibration er målt i overensstemmelse med en standardtestmetode og kan anvendes til at sammenligne én maskine med en anden.
- De(n) angivne totalværdi(er) for vibration kan også anvendes i en præliminær eksponeringsvurdering.

⚠ ADVARSEL:

- Vibrationsemissionen under den faktiske anvendelse af maskinen kan være forskellig fra de(n) angivne værdi(er), afhængigt af den måde hvorpå maskinen anvendes, især den type arbejdsemne der behandles.
- Sørg for at identificere de sikkerhedsforskrifter til beskyttelse af operatøren, som er baseret på en vurdering af eksponering under de faktiske brugsforhold (med hensyntagen til alle dele i brugscyklen, som f.eks. de gange, hvor maskinen er slukket og når den kører i tomgang i tilgift til afbrydertiden).

OVERENSSTEMMELSESERKLÆRINGER**Kun for lande i Europa**

Overensstemmelseserklæringerne er inkluderet i Bilag A i denne brugsanvisning.

Περιγραφή γενικής άποψης

| | | |
|-------------------------------|--|------------------------------|
| 1 Λεβιές αλλαγής τρόπου κοπής | 11 Συγκρατητής | 22 Πρόσοψη οδηγού |
| 2 Διακόπτης σκανδάλης | 12 Βάση | 23 Προστατευτικός οδηγός |
| 3 Κουμπί ασφάλισης | 13 Κάλυμμα σκόνης | 24 Κουμπί με σπείρωμα |
| 4 Καντράν ρύθμισης ταχύτητας | 14 Γραμμή κοπής | 25 Πείρος |
| 5 Στήριγμα λάμας | 15 Ακρη | 26 Συσκευή αποφυγής σκληθρών |
| 6 Μπουλόνι | 16 Διαβαθμίσεις | 27 Προεξοχές |
| 7 Εξαγωνικό κλειδί | 17 Τρύπα ξεκινήματος | 28 Τύπος βάσης αλουμινίου |
| 8 Λάμα | 18 Σωλήνα | 29 Πλάκα καλύμματος |
| 9 Κύλινδρος | 19 Τύπος ατσάλινης βάσης | |
| 10 Αγκιστρο | 20 Προστατευτικό σχισίματος (Οδηγός κανόνας) | |
| | 21 Τύπος βάσης αλουμινίου | |

ΤΕΧΝΙΚΑ ΧΑΡΑΚΤΗΡΙΣΤΙΚΑ

| | | | | | |
|--|--------------------------------------|--------------------------------------|-------------|-------------|-------------|
| Μοντέλο | | 4326 | 4327 | 4328 | 4329 |
| Μήκος διαδρομής | | 18 χιλ. | 18 χιλ. | 18 χιλ. | 18 χιλ. |
| Τύπος λάμας | | Τύπου Β | | | |
| Μεγ. ικανότητα κοπής | Ξύλο | 65 χιλ. | 65 χιλ. | 65 χιλ. | 65 χιλ. |
| | Μαλακός Χάλυβας | 6 χιλ. | 6 χιλ. | 6 χιλ. | 6 χιλ. |
| Διαδρομές ανά λεπτό (λεπ ⁻¹) | | 3.100 | 500 – 3.100 | 500 – 3.100 | 500 – 3.100 |
| Ολικό μήκος | 217 χιλ. (Τύπος ατσάλινης βάσης) | 217 χιλ. (Τύπος ατσάλινης βάσης) | 217 χιλ. | 223 χιλ. | |
| | 223 χιλ. (Τύπος βάσης αλουμινίου) | 223 χιλ. (Τύπος βάσης αλουμινίου) | | | |
| Καθαρό βάρος | | 1,9 Χγρ. | 1,9 Χγρ. | 1,8 Χγρ. | 1,9 Χγρ. |
| Κατηγορία ασφάλειας | | ☐/II | | | |

- Λόγω του συνεχιζόμενου προγράμματος έρευνας και ανάπτυξης, οι παρούσες προδιαγραφές υπόκεινται σε αλλαγή χωρίς προειδοποίηση.
- Τα τεχνικά χαρακτηριστικά μπορεί να διαφέρουν από χώρα σε χώρα.
- Βάρος σύμφωνα με διαδικασία ΕΡΤΑ 01/2014

ENE019-1

GEA010-2

Προοριζόμενη χρήση

Το εργαλείο προορίζεται για πριόνισμα ξύλου, πλαστικών και μεταλλικών υλικών. Ως αποτέλεσμα του εκτεταμένου προγράμματος εξαρτημάτων και λαμών πριονισμού, το εργαλείο μπορεί να χρησιμοποιηθεί για πολλούς σκοπούς και είναι πολύ κατάλληλο για καμπύλες ή κυκλικές κοπές.

ENF002-2

Ρευματοδότηση

Το μηχάνημα πρέπει να συνδέεται μόνο σε παροχή ρεύματος της ίδιας τάσης με αυτή που αναφέρεται στην πινακίδα κατασκευαστού και μπορεί να λειτουργήσει μόνο με εναλλασσόμενο μονοφασικό ρεύμα. Τα μηχανήματα αυτά έχουν διπλή μόνωση και κατά συνέπεια, μπορούν να συνδεθούν σε ακροδέκτες χωρίς σύρμα γείωσης.

Γενικές προειδοποιήσεις ασφαλείας για το ηλεκτρικό εργαλείο

⚠ ΠΡΟΕΙΔΟΠΟΙΗΣΗ Διαβάστε όλες τις προειδοποιήσεις ασφαλείας, οδηγίες, εικονογραφίες και προδιαγραφές που παρέχονται με αυτό το ηλεκτρικό εργαλείο. Η μη τήρηση όλων των οδηγιών που αναγράφονται κατωτέρω μπορεί να καταλήξει σε ηλεκτροπληξία, πυρκαγιά ή/και σοβαρό τραυματισμό.

Φυλάξτε όλες τις προειδοποιήσεις και τις οδηγίες για μελλοντική παραπομπή.

Στις προειδοποιήσεις, ο όρος “ηλεκτρικό εργαλείο” αναφέρεται σε ηλεκτρικό εργαλείο που τροφοδοτείται από την κύρια παροχή ηλεκτρικού ρεύματος (με ηλεκτρικό καλώδιο) ή σε ηλεκτρικό εργαλείο που τροφοδοτείται από μπαταρία (χωρίς ηλεκτρικό καλώδιο).

ΠΡΟΕΙΔΟΠΟΙΗΣΕΙΣ ΑΣΦΑΛΕΙΑΣ ΓΙΑ ΤΟ ΠΑΛΙΝΔΡΟΜΙΚΟ ΠΡΪΟΝΙ

1. Να κρατάτε το ηλεκτρικό εργαλείο από τις μονωμένες επιφάνειες συγκράτησης κατά την εκτέλεση εργασιών όπου το εξάρτημα κοπής μπορεί να έρθει σε επαφή με κρυφές καλωδιώσεις ή με το δίκτυο του καλώδιο τροφοδοσίας. Σε περίπτωση επαφής του εξαρτήματος κοπής με ηλεκτροφόρο καλώδιο, μπορεί τα εκτεθειμένα μεταλλικά εξαρτήματα του ηλεκτρικού εργαλείου να καταστούν τα ίδια ηλεκτροφόρα και να προκαλέσουν ηλεκτροπληξία στο χειριστή.
2. Να χρησιμοποιείτε σφικτήρες ή κάποιο άλλο πρακτικό μέσο για να ασφαλίσετε και να στηρίξετε το τεμάχιο εργασίας σε μια σταθερή πλατφόρμα. Αν κρατάτε το τεμάχιο εργασίας με το χέρι σας ή επάνω στο σώμα σας, θα είναι ασταθές και μπορεί να χάσετε τον έλεγχο.
3. Να χρησιμοποιείτε πάντα γυαλιά ασφαλείας ή προστατευτικά γυαλιά. Τα συνηθισμένα γυαλιά οράσεως ή γυαλιά ηλίου ΔΕΝ είναι γυαλιά ασφαλείας.
4. Να αποφεύγετε την κοπή καρφιών. Να επιθεωρείτε το τεμάχιο εργασίας για καρφιά και αφαιρέστε τα πριν από τη λειτουργία.
5. Μην κόβετε υπερμεγέθη τεμάχια εργασίας.
6. Πριν από την κοπή, να ελέγχετε ότι υπάρχει επαρκής απόσταση πίσω από το τεμάχιο εργασίας ώστε η λάμα να μη χτυπήσει το δάπεδο, τον πάγκο εργασίας, κτλ.
7. Κρατάτε το εργαλείο σταθερά.
8. Να βεβαιώνετε ότι η λάμα δεν ακουμπάει το τεμάχιο εργασίας πριν ενεργοποιήσετε το διακόπτη.
9. Μην πλησιάζετε τα χέρια σας σε κινούμενα μέρη.
10. Μην αφήνετε το εργαλείο αναμμένο. Να χειρίζεστε το εργαλείο μόνο όταν το κρατάτε στο χέρι.
11. Να σβήνετε πάντα το εργαλείο και να περιμένετε να σταματήσει να κινείται εντελώς η λάμα πριν τη βγάλετε από το τεμάχιο εργασίας.
12. Μην αγγίζετε τη λάμα ή το τεμάχιο εργασίας αμέσως μετά τη λειτουργία. Μπορεί να είναι εξαιρετικά ζεστά και να σας προκαλέσουν εγκαύματα.
13. Μη θέτετε το εργαλείο σε λειτουργία χωρίς φορτίο όταν αυτό δεν είναι απαραίτητο.
14. Μερικά υλικά περιέχουν χημικά που μπορεί να είναι τοξικά. Να προσέχετε ώστε να αποφεύγετε την εισπνοή σκόνης και την επαφή με το δέρμα. Να ακολουθείτε τα δεδομένα ασφάλειας του προμηθευτή υλικού.
15. Να χρησιμοποιείτε πάντα προσωπίδα κατά της σκόνης/αναπνευστήρα που είναι κατάλληλα για το υλικό και την εφαρμογή σας.

ΦΥΛΑΞΕΤΕ ΑΥΤΕΣ ΤΙΣ ΟΔΗΓΙΕΣ.

⚠️ ΠΡΟΕΙΔΟΠΟΙΗΣΗ:

ΜΗΝ επιτρέψετε στην άνεση ή στην εξοικειωσή σας με το προϊόν (που αποκτήθηκε από επανειλημμένη χρήση) να αντικαταστήσει την αυστηρή τήρηση των κανόνων ασφαλείας του παρόντος εργαλείου. Η ΛΑΝΘΑΣΜΕΝΗ ΧΡΗΣΗ ή η αμέλεια να ακολουθήσετε τους κανόνες ασφαλείας που διατυπώνονται στο παρόν εγχειρίδιο οδηγίων μπορεί να προκαλέσει σοβαρό προσωπικό τραυματισμό.

ΠΕΡΙΓΡΑΦΗ ΛΕΙΤΟΥΡΓΙΑΣ

⚠️ ΠΡΟΣΟΧΗ:

- Πάντοτε βεβαιώνετε ότι το εργαλείο είναι σβηστό και αποσυνδεδεμένο από το ρεύμα πριν ρυθμίσετε ή ελέγξετε κάποια λειτουργία του εργαλείου.

Επιλογή τρόπου κοπής (Για μοντέλα 4328/4329) (Εικ. 1)

Αυτό το μηχάνημα μπορεί να λειτουργήσει σε κίνηση κοπής περιστροφική ή ευθεία γραμμή (επάνω και κάτω). Η περιστροφική κίνηση κοπής ωθεί την λάμα προς τα εμπρός στην γραμμή κοπής και προοδευτικώς αυξάνει την ταχύτητα κοπής.

Για να αλλάξετε τον τρόπο κοπής, απλώς γυρίστε τον λεβιέ αλλαγής τρόπου κοπής στην επιθυμητή θέση τρόπου κοπής.

Αναφερθείτε στον πίνακα για να επιλέξετε τον κατάλληλο τρόπο κοπής.

| Θέση | Κίνηση κοπής | Εφαρμογές |
|------|----------------------------------|--|
| 0 | Κίνηση κοπής ευθεία γραμμή | Για κοπή μαλακού χάλυβα, ανοξείδωτου χάλυβα και πλαστικών. |
| | | Για καθαρές κοπές σε ξύλο και καπλαμά. |
| I | Κίνηση κοπής μικρή περιστροφική | Για κοπή μαλακού χάλυβα, αλουμινίου και σκληρού ξύλου. |
| II | Κίνηση κοπής μέτρια περιστροφική | Για κοπή ξύλου και καπλαμά. |
| | | Για γρήγορη κοπή αλουμινίου και μαλακού χάλυβα. |
| III | Κίνηση κοπής μεγάλη περιστροφική | Κίνηση κοπής μεγάλη περιστροφική Για γρήγορη κοπή ξύλου και καπλαμά. |

Λειτουργία διακόπτη (Εικ. 2)

⚠ ΠΡΟΣΟΧΗ:

- Πριν συνδέσετε το μηχάνημα στο ρεύμα, πάντοτε να ελέγχετε να δείτε ότι ο διακόπτης σκανδάλης ενεργοποιεί κανονικά και επιστρέφει στη θέση "OFF" όταν ελευθερώνεται.

Για να ξεκινήσετε το μηχάνημα, απλά πατήστε τη σκανδάλη. Για να σταματήσετε αφήστε τη σκανδάλη. Για συνεχή λειτουργία, πατήστε τη σκανδάλη και μετά πιέστε μέσα το κουμπί ασφάλισης.

Για να σταματήσετε το μηχάνημα από την ασφαλισμένη θέση, πατήστε τη σκανδάλη μέχρι τέρμα και μετά αφήστε την.

Καντράν ρύθμισης ταχύτητας (Για μοντέλα 4327/4328/4329) (Εικ. 3)

Η ταχύτητα του μηχανήματος μπορεί να ρυθμιστεί απεριορίστα μεταξύ 500 και 3.100 διαδρομών το λεπτό με περιστροφή του καντράν ρύθμισης. Μεγαλύτερη ταχύτητα επιτυγχάνεται όταν το καντράν περιστραφεί στη διεύθυνση του νούμερου 6; χαμηλότερη ταχύτητα επιτυγχάνεται όταν το καντράν περιστραφεί στη διεύθυνση του νούμερου 1.

Αναφερθείτε στον παρακάτω πίνακα για να επιλέξετε την κατάλληλη ταχύτητα για κατεργαζόμενο κομμάτι που πρόκειται να κοπεί. Ωστόσο, η κατάλληλη ταχύτητα μπορεί να διαφέρει ανάλογα με τον τύπο ή το πάχος του κατεργαζόμενου κομματιού. Γενικά, μεγαλύτερες ταχύτητες θα σας επιτρέψουν να κόψετε κατεργαζόμενα κομμάτια γρηγορότερα αλλά θα ελαττωθεί η διάρκεια λειτουργίας της λάμας.

| Κομμάτι προς κοπή | Αριθμός στο καντράν |
|---------------------|---------------------|
| Ξύλο | 5 – 6 |
| Μαλακός Χάλυβας | 3 – 6 |
| Ανοξείδωτος Χάλυβας | 3 – 4 |
| Αλουμίνιο | 3 – 6 |
| Πλαστικά | 1 – 4 |

006583

⚠ ΠΡΟΣΟΧΗ:

- Εάν το εργαλείο λειτουργεί συνεχώς σε χαμηλές ταχύτητες για μεγάλο χρονικό διάστημα, ο κινητήρας θα υπερφορτωθεί και θα υπερθερμανθεί.
- Το καντράν ρύθμισης ταχύτητας μπορεί να περιστραφεί μόνο μέχρι το 6 και πίσω μέχρι το 1. Μην το ζορίζετε να ξεπεράσει το 6 ή 1, διαφορετικά η δυνατότητα ρύθμισης ταχύτητας μπορεί να μη λειτουργεί μετά.

ΣΥΝΑΡΜΟΛΟΓΗΣΗ

⚠ ΠΡΟΣΟΧΗ:

- Πάντοτε βεβαιώνετε ότι το εργαλείο είναι σβηστό και αποσυνδεδεμένο πριν εκτελέσετε οποιαδήποτε εργασία στο εργαλείο.

Τοποθέτηση ή αφαίρεση λαμών πριονιού (Εικ. 4 και 5)

⚠ ΠΡΟΣΟΧΗ:

- Πάντοτε καθαρίστε όλα τα προσκολλημένα στη λάμα ή στο στήριγμα της λάμας πριονίδια ή ξένα υλικά. Εάν δεν γίνει αυτό, μπορεί να γίνει αιτία για ανεπαρκές σφίξιμο της λάμας και να καταλήξει σε σοβαρό τραυματισμό.
- Μην αγγίξετε την λάμα ή το αντικείμενο εργασίας αμέσως μετά την λειτουργία, γιατί μπορεί να είναι εξαιρετικά θερμά και να σας προκαλέσουν εγκαύματα.
- Πάντοτε ασφαλίστε την λάμα σταθερά. Ανεπαρκές σφίξιμο της λάμας μπορεί να προκαλέσει σπάσιμο της λάμας ή σοβαρό προσωπικό τραυματισμό.
- Χρησιμοποιείτε μόνο λάμες τύπου Β. Η χρησιμοποίηση άλλων λαμών εκτός τύπου Β προκαλεί ανεπαρκές σφίξιμο της λάμας, και έχει ως αποτέλεσμα σοβαρό προσωπικό τραυματισμό.

Για να τοποθετήσετε την λάμα, χαλαρώστε το μπουλόνι αριστερόστροφα στη θήκη της λάμας με το εξαγωνικό κλειδί.

Με τα δόντια της λάμας να βλέπουν προς τα εμπρός, βάλτε την λάμα μέσα στην θήκη λάμας όσο βαθιά μπορεί να πάει. Βεβαιωθείτε ότι η πίσω άκρη της λάμας εφαρμόζει στον κύλινδρο. Μετά σφίξτε το μπουλόνι δεξιόστροφα για να ασφαλίσετε την λάμα.

Για να αφαιρέσετε την λάμα, ακολουθείστε την διαδικασία εγκατάστασης αντίστροφα.

ΣΗΜΕΙΩΣΗ:

- Περιστασιακά λιπαίνετε τον κύλινδρο.

Φύλαξη εξαγωνικού κλειδιού (Εικ. 6)

Όταν δεν χρησιμοποιείται, αποθηκεύστε το εξαγωνικό κλειδί όπως φαίνεται στην εικόνα για να μη χαθεί.

Ρύθμιση κυλίνδρου (Για μοντέλα 4326/4327) (Εικ. 7)

Χαλαρώστε το μπουλόνι στο πίσω μέρος της βάσης του μηχανήματος με το εξαγωνικό κλειδί. Μετακινήστε το συγκρατητή έτσι ώστε ο κύλινδρος να ακουμπά ελαφρά τη λάμα. Μετά σφίξτε το μπουλόνι για να στερεώσετε τη βάση του μηχανήματος και το συγκρατητή.

ΣΗΜΕΙΩΣΗ:

- Περιστασιακά λιπαίνεται τον κύλινδρο.

Κάλυμμα σκόνης (Εικ. 8)

⚠ ΠΡΟΣΟΧΗ:

- Πάντοτε να φοράτε προστατευτικά κυάλια, ακόμα και όταν λειτουργείτε το μηχάνημα με κατεβάσμενο το κάλυμμα σκόνης.

Κατεβάστε το κάλυμμα σκόνης για να εμποδίσετε το πέταγμα ριניσμάτων. Ωστόσο όταν πραγματοποιείτε λοξοτομές, σηκώστε το μέχρι πάνω.

ΛΕΙΤΟΥΡΓΙΑ

⚠ ΠΡΟΣΟΧΗ:

- Πάντοτε κρατάτε τη βάση του μηχανήματος ευθυγραμμισμένη με το κατεργαζόμενο κομμάτι. Εάν το παραλείψετε, μπορεί να προκληθεί θραύση της λάμας, με αποτέλεσμα σοβαρό τραυματισμό.
- Προωθείτε το εργαλείο πολύ σιγά όταν κόβετε κάμπιλες ή κάνετε κύλιση. Εξαναγκασμός του εργαλείου μπορεί να προκαλέσει λοξή επιφάνεια κοπής και σπάσιμο της λάμας.

Ανάψτε το εργαλείο χωρίς η λάμα να κάνει καμμία επαφή και περιμένετε μέχρι να αποκτήσει η λάμα πλήρη ταχύτητα. Μετά, ακουμπήστε το μηχανήμα ομοιόμορφα στο κατεργαζόμενο κομμάτι και κινήστε απαλά το μηχανήμα προς τα εμπρός κατά μήκος της γραμμής κοπής που έχει σημαδευτεί από πριν. **(Εικ. 9)**

Λοξότμηση

⚠ ΠΡΟΣΟΧΗ:

- Πάντοτε βεβαιώνετε ότι το μηχανήμα είναι σθηστό και βγαλμένο από την πρίζα πριν δώσετε κλίση στη βάση του μηχανήματος.
- Σηκώστε το κάλυμμα σκόνης μέχρι επάνω πριν κάνουν λοξοτομές.

Δίνοντας κλίση στην βάση του εργαλείου, μπορείτε να κάνετε λοξοτομές σε οποιαδήποτε γωνία μεταξύ 0° και 45° (αριστερά ή δεξιά). **(Εικ. 10)**

Χαλαρώστε το μπουλόνι στο πίσω μέρος της βάσης με το εξαγωνικό κλειδί. Μετακινήστε τη βάση του μηχανήματος έτσι ώστε το μπουλόνι να είναι τοποθετημένο στο κέντρο της εγκοπής σε σχήμα σταυρού στη βάση του μηχανήματος. **(Εικ. 11)**

Δώστε κλίση στη βάση μέχρι να επιτύχετε την επιθυμητή λοξή γωνία.

Η άκρη του κουβουκλιού κινητήρα φέρει τις εγκοπές κλίματος λοξής γωνίας. **(Εικ. 12)**

Εμπρόσθιες ευθυγραμμισμένες κοπές (Εικ. 13)

Χαλαρώστε το μπουλόνι στο πίσω μέρος της βάσης του μηχανήματος με το εξαγωνικό κλειδί, μετά μετακινήστε τη βάση του μηχανήματος μέχρι τέρμα προς τα πίσω. Μετά σφίξτε το μπουλόνι για να στερεώσετε τη βάση του μηχανήματος.

Αποκοπή

Αποκοπές μπορούν να γίνουν με τη μια ή με την άλλη από τις μεθόδους, Α ή Β.

A) Με άνοιγμα τρύπας εκκίνησης

Για εσωτερικές αποκοπές χωρίς αρχικό κόψιμο από μια άκρη, προ-τρυπήστε μια τρύπα εκκίνησης 12 χιλ. ή περισσότερο. Εισάγετε τη λάμα μέσα σε αυτή την τρύπα και ξεκινήστε τη κοπή σας. **(Εικ. 14)**

B) Κοπές βύθισης

Δε χρειάζεται να ανοίξετε τρύπα εκκίνησης ή να κάνετε μια αρχική κοπή εάν προσεχτικά κάνετε όπως ακολούθως.

- (1) Δώστε κλίση στο μηχανήμα προς τα επάνω, σε σχέση με την μπροστινή μεριά της βάσης, με τη λάμα τοποθετημένη λίγο πάνω από την επιφάνεια του κατεργαζόμενου κομματιού. **(Εικ. 15)**
- (2) Εφαρμόστε πίεση στο μηχανήμα, έτσι ώστε η μπροστινή μεριά της βάσης να μην μετακινηθεί όταν ανάψετε το μηχανήμα και μαλακά χαμηλώστε σιγά-σιγά το πίσω μέρος της βάσης του μηχανήματος.
- (3) Καθώς η λάμα διαπερνά το κατεργαζόμενο κομμάτι, σιγά-σιγά χαμηλώστε τη βάση του μηχανήματος κάτω προς την επιφάνεια του κατεργαζόμενου κομματιού.
- (4) Ολοκληρώστε την κοπή με τον κανονικό τρόπο.

Τελειώματα γωνιών (Εικ. 16)

Για να καθαρίσετε τις γωνίες ή να κάνετε ρυθμίσεις στις διαστάσεις, κάντε ένα πέρασμα με τη λάμα κατά μήκος των κομμένων πλευρών.

Κοπή μετάλλων

Πάντοτε χρησιμοποιείτε ένα κατάλληλο ψυκτικό (έλαιο κοπής) όταν κόβετε μέταλλα. Εάν δεν το κάνετε αυτό θα προκληθεί σημαντική φθορά στη λάμα. Η κάτω πλευρά του κατεργαζόμενου κομματιού μπορεί να λιπανθεί αντί να χρησιμοποιηθεί ψυκτικό.

Απομάκρυνση σκόνης (Εικ. 17)

Καθαρές καταρρασιές κοπής μπορούν να πραγματοποιηθούν συνδέοντας αυτό το μηχανήμα με μια ηλεκτρική σκούπα Makita. Βάλτε το σωλήνα της σκούπας μέσα στη τρύπα στο πίσω μέρος του μηχανήματος. Κατεβάστε το κάλυμμα σκόνης πριν από τη χρήση.

ΣΗΜΕΙΩΣΗ:

- Απομάκρυνση σκόνης δεν μπορεί να πραγματοποιηθεί όταν κάνετε λοξοτομές.

Προστατευτικό σχισίματος (προαιρετικό εξάρτημα)

⚠ ΠΡΟΣΟΧΗ:

- Πάντοτε βεβαιώνετε ότι το μηχανήμα είναι σθηστό και βγαλμένο από τη πρίζα πριν τοποθετήσετε ή αφαιρέσετε εξάρτημα.

1. Ευθείες κοπές (Εικ. 18, 19, 20 και 21)

Όταν κόβετε επαναλαμβανόμενα πλάτη 160 χιλ. ή λιγότερο, χρησιμοποίηση του προστατευτικού σχισίματος εξασφαλίζει γρήγορη, καθαρή και ευθεία κοπή.

Για να τον τοποθετήσετε, βάλτε το προστατευτικό σχισίματος μέσα στην ορθογώνια τρύπα στην πλευρά της βάσης του μηχανήματος με τον προστατευτικό οδηγό να κοιτάει προς τα κάτω. Γλυστρίστε το προστατευτικό σχισίματος στη θέση του επιθυμητού πλάτος κοπής, και μετά σφίξτε τα μπουλόνια για να το στερεώσετε.

2. Κυκλικές κοπές (Εικ. 22, 23, 24 και 25)

Όταν κόβετε κύκλους ή τόξα ακτίνας 170 χιλ. ή λιγότερο, τοποθετείστε το προστατευτικό σχισίματος όπως ακολούθως.

Βάλτε το προστατευτικό σχισίματος μέσα στην ορθογώνια τρύπα στην πλευρά της βάσης του μηχανήματος με τον προστατευτικό οδηγό να κοιτάει προς τα πάνω. Βάλτε τον πείρο κυκλικής οδήγησης να περάσει και από τις δύο τρύπες του προστατευτικού οδηγού. Βιδώστε το κουμπί με το σπείρωμα πάνω στο πείρο για να στερεώσετε τον πείρο.

Μετά, γλιστρίστε το προστατευτικό σχισίματος στην επιθυμητή ακτίνα κοπής, και σφίξτε το μετρώλι για να τον στερεώσετε στη θέση του. Μετά μετακινήστε τη βάση του μηχανήματος όσο πάει μπροστά.

ΣΗΜΕΙΩΣΗ:

- Πάντα χρησιμοποιείτε λάμες Νο. B17, B-18, B-26 ή B-27 όταν κόβεται κύκλους ή τόξα.

Συσκευή αποφυγής σκληρών για ασφάλιση βάση (προαιρετικό εξάρτημα) (Εικ. 26)

Για κοπές χωρίς σκληθρές, χρησιμοποιείται η συσκευή αποφυγής σκληθρών. Για να τοποθετήσετε την συσκευή αποφυγής σκληθρών, μετακινήστε την βάση πλήρως προς τα εμπρός και βάλτε την μεταξύ των δύο προεξοχών της βάσης.

ΣΗΜΕΙΩΣΗ:

- Η συσκευή αποφυγής σκληθρών δεν μπορεί να χρησιμοποιηθεί όταν γίνονται λοξές κοπές.

Συσκευή αποφυγής σκληθρών για βάση αλουμινίου (προαιρετικό εξάρτημα) (Εικ. 27)

Για κοπές χωρίς σκληθρές μπορεί να χρησιμοποιηθεί η συσκευή αποφυγής σκληθρών. Για να εγκαταστήσετε την συσκευή αποφυγής σκληθρών μετακινήστε την βάση του εργαλείου όσο πάει εμπρός και προσαρμόστε την από το πίσω μέρος της βάσης του εργαλείου. Όταν χρησιμοποιείτε την πλάκα καλύμματος, τοποθετείτε την συσκευή αποφυγής σκληθρών επάνω στη πλάκα καλύμματος.

⚠ ΠΡΟΣΟΧΗ:

- Η συσκευή αποφυγής σκληθρών δεν μπορεί να χρησιμοποιηθεί όταν κάνετε λοξοτομές.

Πλάκα κάλυψης για βάση αλουμινίου (προαιρετικό εξάρτημα) (Εικ. 28)

Χρησιμοποιήστε την πλάκα καλύμματος όταν κόβετε διακοσμητικούς καπλαμάδες, πλαστικά, κλπ. Προστατεύει τις ευαίσθητες ή λεπτές επιφάνειες από ζημιά. Προσαρμόστε την στο πίσω μέρος της βάσης του εργαλείου.

ΣΥΝΤΗΡΗΣΗ

⚠ ΠΡΟΣΟΧΗ:

- Πάντοτε βεβαιώνετε ότι το εργαλείο είναι σθεστό και αποσυνδεδεμένο πριν επιχειρήσετε να εκτελέσετε επιθεώρηση ή συντήρηση.
- Μην χρησιμοποιείτε ποτέ βενζίνη, πετρελαϊκό αιθέρα, διαλυτικό, αλκοόλη ή παρόμοιες ουσίες. Ενδέχεται να προκληθεί αποχρωματισμός, παραμόρφωση ή ρωγμές.

Για να διατηρήσετε την ΑΣΦΑΛΕΙΑ και ΑΞΙΟΠΙΣΤΙΑ του προϊόντος, επισκευές, έλεγχος και αντικατάσταση των ψηκτρών άνθρακα, καθώς και οποιαδήποτε άλλη συντήρηση ή ρύθμιση πρέπει να εκτελούνται από Κέντρα Εξυπηρέτησης Εργοστασίου ή από Εξουσιοδοτημένα από την Makita Κέντρα, πάντοτε χρησιμοποιώντας ανταλλακτικά της Makita.

ΠΡΟΑΙΡΕΤΙΚΑ ΕΞΑΡΤΗΜΑΤΑ

⚠ ΠΡΟΣΟΧΗ:

- Αυτά τα εξαρτήματα ή προσαρτήματα συνιστώνται για χρήση με το εργαλείο Makita που περιγράφεται στις οδηγίες αυτές. Η χρήση οτιδήποτε άλλων εξαρτημάτων ή προσαρτημάτων μπορεί να προκαλέσει κίνδυνο τραυματισμού σε άτομα. Χρησιμοποιείτε τα εξαρτήματα ή προσαρτήματα μόνο για την χρήση που προορίζονται.

Εάν χρειάζεστε οποιαδήποτε βοήθεια για περισσότερες πληροφορίες σε σχέση με αυτά τα εξαρτήματα, αποτανθείτε στο τοπικό σας κέντρο εξυπηρέτησης Makita.

- Λάμα παλινδρομικού προιονιού
- Εξαγωνικό κλειδί 3
- Προστατευτικό σύνολο σχισίματος (Οδηγός κανόνας)
- Συσκευή αποφυγής σκληθρών
- Σωλήνα (Για σκούπα απορρόφησης)
- Πλάκα καλύμματος (Για τύπο βάσης αλουμινίου)

ΣΗΜΕΙΩΣΗ:

- Μερικά στοιχεία στη λίστα μπορεί να συμπεριλαμβάνονται στη συσκευασία εργαλείου ως στάνταρ εξαρτήματα. Μπορεί να διαφέρουν ανάλογα με τη χώρα.

ENG905-1

Θορύβος

Το τυπικό Α επίπεδο μετρημένου θορύβου καθορίζεται σύμφωνα με το EN62841-2-11:

Μοντέλο 4326, 4327

Στάθμη πίεσης ήχου (L_{pA}): 89 dB (A)
Στάθμη δύναμης ήχου (L_{WA}): 97 dB (A)
Αβεβαιότητα (K): 3 dB (A)

Μοντέλο 4328, 4329

Στάθμη πίεσης ήχου (L_{pA}): 86 dB (A)
Στάθμη δύναμης ήχου (L_{WA}): 94 dB (A)
Αβεβαιότητα (K): 3 dB (A)

ENG907-1

ΣΗΜΕΙΩΣΗ:

- Η ή οι δηλωμένες τιμές εκπομπής θορύβου έχουν μετρηθεί σύμφωνα με μια πρότυπη μέθοδο δοκιμών και μπορούν να χρησιμοποιηθούν για τη σύγκριση ενός εργαλείου με άλλο.
- Η ή οι δηλωμένες τιμές εκπομπής θορύβου μπορούν να χρησιμοποιηθούν και στην προκαταρκτική αξιολόγηση της έκθεσης.

⚠ ΠΡΟΕΙΔΟΠΟΙΗΣΗ:

- Φοράτε ωτοασπίδες.
- Η εκπομπή θορύβου κατά τη χρήση του ηλεκτρικού εργαλείου σε πραγματικές συνθήκες μπορεί να διαφέρει από την ή τις δηλωμένες τιμές ανάλογα με τους τρόπους χρήσης του εργαλείου, ειδικότερα από το είδος του τεμαχίου εργασίας που υποβάλλεται σε κατεργασία.

- Φροντίστε να λάβετε τα κατάλληλα μέτρα προστασίας του χειριστή βάσει υπολογισμού της έκθεσης σε πραγματικές συνθήκες χρήσης (λαμβάνοντας υπόψη όλες τις συνιστώσες του κύκλου λειτουργίας όπως τους χρόνους που το εργαλείο είναι εκτός λειτουργίας και όταν βρίσκεται σε αδρανή λειτουργία πέραν του χρόνου ενεργοποίησης).

ENG900-1

Κραδασμός

Η ολική τιμή δόνησης (άθροισμα τρι-αξονικού διανύσματος) καθορίζεται σύμφωνα με το EN62841-2-11:

Μοντέλο 4326, 4327

Είδος εργασίας: κοπή σανίδων
 Εκπομπή δόνησης ($a_{h, B}$): 5,5 m/s²
 Αβεβαιότητα (K): 1,5 m/s²

Είδος εργασίας: κοπή μεταλλικών φύλλων
 Εκπομπή δόνησης ($a_{h, M}$): 5,5 m/s²
 Αβεβαιότητα (K): 1,5 m/s²

Μοντέλο 4328, 4329

Είδος εργασίας: κοπή σανίδων
 Εκπομπή δόνησης ($a_{h, B}$): 7,0 m/s²
 Αβεβαιότητα (K): 1,5 m/s²

Είδος εργασίας: κοπή μεταλλικών φύλλων
 Εκπομπή δόνησης ($a_{h, M}$): 5,0 m/s²
 Αβεβαιότητα (K): 1,5 m/s²

ENG901-2

ΣΗΜΕΙΩΣΗ:

- Η ή οι δηλωμένες τιμές εκπομπής κραδασμών έχουν μετρηθεί σύμφωνα με μια πρότυπη μέθοδο δοκιμών και μπορούν να χρησιμοποιηθούν για τη σύγκριση ενός εργαλείου με άλλο.
- Η ή οι δηλωμένες τιμές κραδασμών θορύβου μπορούν να χρησιμοποιηθούν και στην προκαταρκτική αξιολόγηση της έκθεσης.

ΠΡΟΕΙΔΟΠΟΙΗΣΗ:

- Η εκπομπή κραδασμών κατά τη χρήση του ηλεκτρικού εργαλείου σε πραγματικές συνθήκες μπορεί να διαφέρει από την ή τις δηλωμένες τιμές ανάλογα με τους τρόπους χρήσης του εργαλείου, ειδικότερα από το είδος του τεμαχίου εργασίας που υποβάλλεται σε κατεργασία.
- Φροντίστε να λάβετε τα κατάλληλα μέτρα προστασίας του χειριστή βάσει υπολογισμού της έκθεσης σε πραγματικές συνθήκες χρήσης (λαμβάνοντας υπόψη όλες τις συνιστώσες του κύκλου λειτουργίας όπως τους χρόνους που το εργαλείο είναι εκτός λειτουργίας και όταν βρίσκεται σε αδρανή λειτουργία πέραν του χρόνου ενεργοποίησης).

ΔΗΛΩΣΗ ΣΥΜΜΟΡΦΩΣΗΣ

Μόνο για χώρες της Ευρώπης

Οι Δηλώσεις Συμμόρφωσης περιλαμβάνονται στο Παράρτημα Α στο παρόν εγχειρίδιο οδηγιών.

Makita Europe N.V.

Jan-Baptist Vinkstraat 2, 3070 Kortenberg, Belgium

Makita Corporation

3-11-8, Sumiyoshi-cho, Anjo, Aichi 446-8502 Japan

www.makita.com



884727J995

IDE