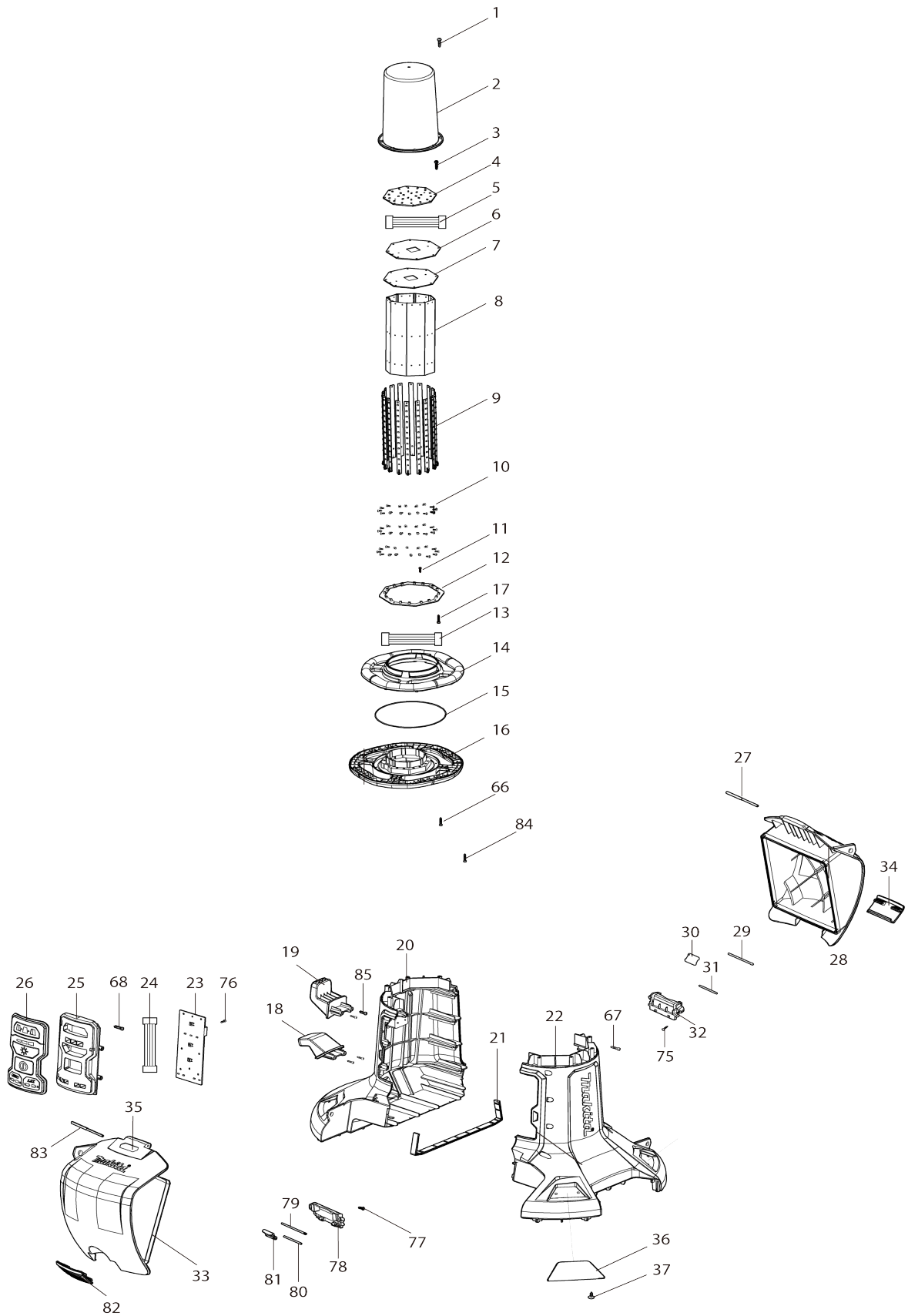
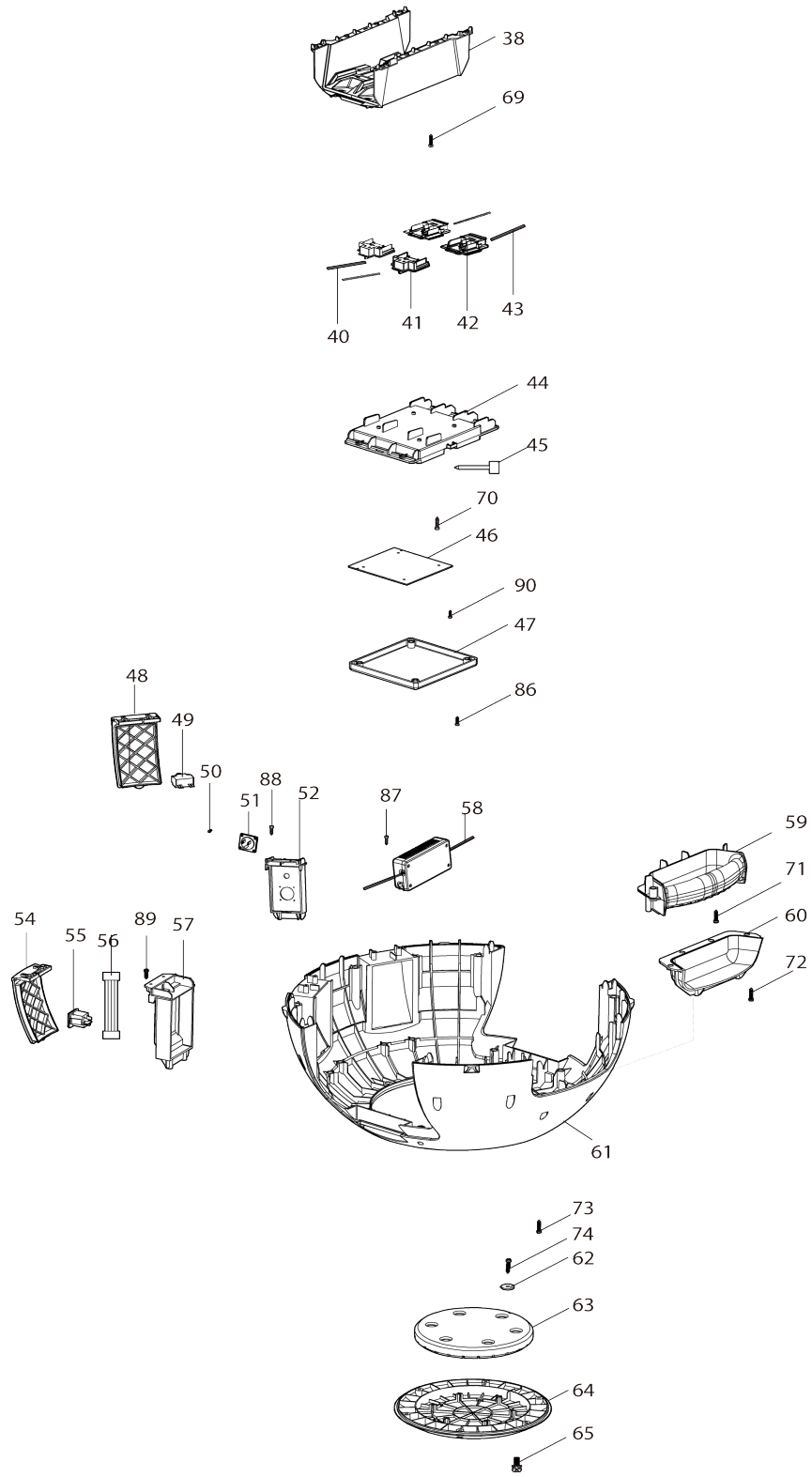


Model No.ML010G CORDLESS AREA WORKLIGHT



Model No.ML010G CORDLESS AREA WORKLIGHT



Model No.ML010G CORDLESS AREA WORKLIGHT

Numéro d'article	N ° de pièces	Description	Interchangeabilité	Q'ty	Nouvelle / ancienne	Note 1	Note 2
001	QY00000001	TAPPING SCREW 4X20		8			
002	QY00000002	LED COVER		1			
003	QY00000003	TAPPING SCREW 3.5X14		8			
004	QY00000102	LED PLATE		1			
005	QY00000005	WIRE UNIT 6X300		1			
006	QY00000006	INSULATION PLATE		1			
007	QY00000007	HEAT SINK PLATE COVER		1			
008	QY00000008	HEAT SINK PLATE		1			
009	QY00000103	LED PLATE LONG		16			
010	QY00000009	TAPPING SCREW 3X6		48			
011	QY00000011	TAPPING SCREW 3X12		4			
012	QY00000104	LED PCB CONNECTOR		1			
013	QY00000105	CABLE		1			
014	QY00000014	CIRCLE HANDLE UPPER		1			
015	QY00000015	O-RING		1			
016	QY00000016	CIRCLE HANDLE LOWER		1			
017	QY00000017	TAPPING SCREW 3.5X14		8			
018	QY00000106	CABLE HOOK UNDER		1			
019	QY00000107	CABLE HOOK UPPER		1			
020	QY00000108	CASE L		1			
021	QY00000109	SEALING		1			
022	QY00000110	CASE R		1			
023	QY00000111	SWITCH PCB BOARD		1			
024	QY00000112	LEAD UNIT		1			
025	QY00000113	SWITCH BASE		1			
026	QY00000114	SWITCH COVER		1			
027	QY00000115	PIN		2			
028	QY00000116	BATTERY COVER A		1			
029	QY00000030	PIN 2.5X73		2			
030	QY00000032	BATTERY COVER PLATE		2			
031	QY00000031	PIN 4X75		2			
032	QY00000117	BATTERY COVER BASE		1			
033	QY00000118	BATTERY COVER B		1			
D10		INC. 35					
034	QY00000029	LATCH		2			
035	8030S0-0	Étiquette du logo XGT		1			
036	QY00000027	REFLECTOR		4			
037	QY00000026	TAPPING SCREW 3X8		8			
038	QY00000119	BATTERY BOX LOWER		1			
040	QY00000121	LEAD UNIT (LXT)		2			
041	QY00000122	LXT BATTERY TERMINAL		2			
042	QY00000123	XGT BATTERY TERMINAL		2			
043	QY00000124	LEAD UNIT (XGT)		2			
044	QY00000125	TERMINAL SUPPORT		1			
045	QY00000126	CABLE TIES		12			
046	QY00000127	MAIN PCB BOARD		1			
047	QY00000128	PCB BOARD COVER		1			

048	QY00000129	AC INPUT SOCKET COVER		1		
049	QY00000056	HUSE SET		1		
050	QY00000036	TAPPING SCREW 3X12		2		
051	QY00000058	AC INPUT POWER CONNECTOR		1		
052	QY00000130	AC INPUT SOCKET CASE		1		
054	QY00000135	AC OUTPUT SOCKET COVER		1		
055	QY00000068	AC OUTPUT SOCKET E		1		
056	QY00000141	LEAD UNIT		1		
057	QY00000147	AC OUTPUT SOCKET CASE		1		
058	QY00000151	POWER UNIT		1		
059	QY00000152	SUB HADDLE		1		
060	QY00000153	HANDLE COVER		1		
061	QY00000154	BASE		1		
062	QY00000061	WASHER 5		6		
063	QY00000155	WEIGHT		1		
064	QY00000156	UNDER COVER		1		
065	QY00000157	PAN HEAD SCREW M5X16		6		
066	QY00000001	TAPPING SCREW 4X20		8		
067	QY00000001	TAPPING SCREW 4X20		8		
068	QY00000001	TAPPING SCREW 4X20		3		
069	QY00000001	TAPPING SCREW 4X20		8		
070	QY00000001	TAPPING SCREW 4X20		4		
071	QY00000001	TAPPING SCREW 4X20		3		
072	QY00000001	TAPPING SCREW 4X20		4		
073	QY00000001	TAPPING SCREW 4X20		20		
074	QY00000001	TAPPING SCREW 4X20		6		
075	QY00000011	TAPPING SCREW 3X12		2		
076	QY00000011	TAPPING SCREW 3X12		6		
077	QY00000011	TAPPING SCREW 3X12		2		
078	QY00000117	BATTERY COVER BASE		1		
079	QY00000030	PIN 2.5X73		1		
080	QY00000031	PIN 4X75		1		
081	QY00000032	BATTERY COVER PLATE		1		
082	QY00000029	LATCH		1		
083	QY00000115	PIN		1		
084	QY00000017	TAPPING SCREW 3.5X14		4		
085	QY00000017	TAPPING SCREW 3.5X14		4		
086	QY00000017	TAPPING SCREW 3.5X14		4		
087	QY00000017	TAPPING SCREW 3.5X14		2		
088	QY00000017	TAPPING SCREW 3.5X14		2		
089	QY00000017	TAPPING SCREW 3.5X14		2		
090	QY00000011	TAPPING SCREW 3X12		4		
A01	QY00000096	POWER SUPPLY CORD UK PLUG		1		

Veuillez indiquer les pièces n ° lorsque votre commande.

Date d'impression 07/06/2024