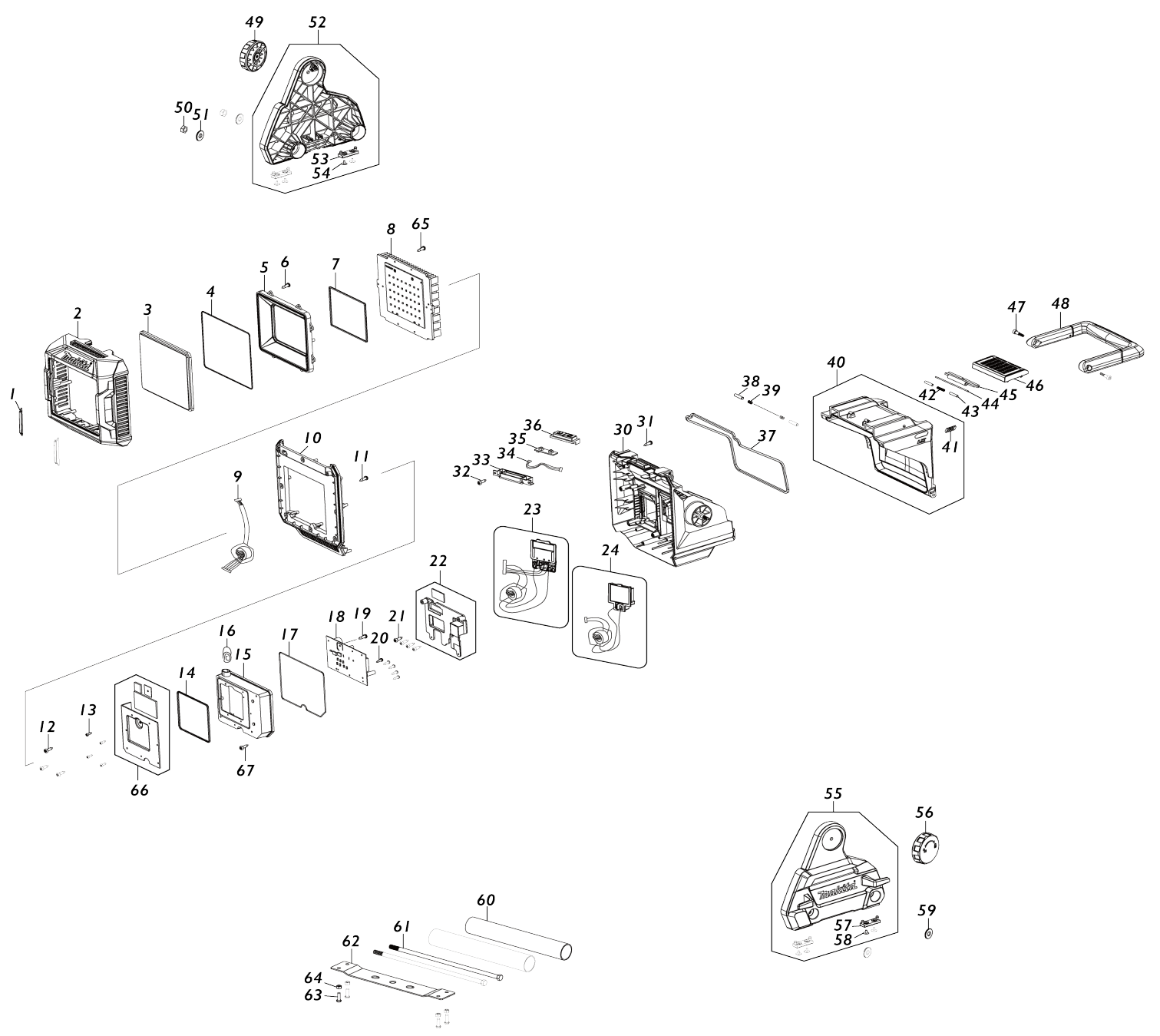


Model No. ML005G CORDLESS WORKLIGHT



Model No.ML005G CORDLESS WORKLIGHT

Numéro d'article	N ° de pièces	Description	Interchangeabilité	Q'ty	Nouvelle / ancienne	Note 1	Note 2
001	GM00002396	FRONT COVER PLATE		2			
002	GM00002380	FRONT COVER ASSY		1			
003	GM00002381	LENS		1			
004	GM00002382	O-RING		1			
005	GM00002383	REFLECTOR ASSY		1			
006	GM00001333	VIS 3 X 12 PWB		8			
007	GM00002384	O-RING		1			
008	GM00002385	LED ASSY		1			
009	GM00002397	LEAD UNIT ASSY		1			
010	GM00002386	MID-BODY COVER		1			
011	GM00001333	VIS 3 X 12 PWB		8			
012	GM00002165	SCREW 3X18 PT		3			
013	GM00001395	VIS 2.6X8PB		4			
014	GM00002388	O-RING		1			
015	GM00002389	POWER CASE		1			
016	GM00002320	EVA		1			
017	GM00002390	O-RING		1			
018	GM00002415	MAIN PCBA ASSY		1	*		
018-1	GM00002491	MAIN PCBA ASSY	<	1			
019	GM00002414	SCREW 3X8PM		1			
020	GM00001395	VIS 2.6X8PB		5			
021	GM00002165	SCREW 3X18 PT		4			
022	GM00002392	TERMINAL HOLDING PLATE ASSY		1			
023	GM00002393	XGT TERMINAL ASSY		1			
024	GM00002394	LXT TERMINAL ASSY		1			
030	GM00002416	MID-BODY ASSY		1			
031	GM00002165	SCREW 3X18 PT		10			
032	GM00002165	SCREW 3X18 PT		2			
033	GM00002406	SWITCH HOLDER		1			
034	GM00002407	LEAD UNIT		1			
035	GM00002140	SWITCH PCBA ASSY		1			
036	GM00002141	SWITCH ASSY		1			
037	GM00002401	O-RING		1			
038	GM00002403	SHAFT		2			
039	GM00002402	SPRING		2			
040	GM00002404	BATTERY COVER ASSY		1			
040		INC. 41					
041	GM00002310	XGT LABEL		1			
042	GM00002309	SPRING		1			
043	GM00002255	SHAFT A		2			
044	GM00002256	SHAFT B		1			
045	GM00002257	LATCH B		1			
046	GM00002258	LATCH A		1			
047	GM00002137	INSIDE-HEX SCREW		2			
048	GM00002405	HANDLE ASSY		1			
049	GM00002160	LATCH KNOB ASSY		1			
050	GM00002158	NUT M8		2			

051	GM00002157	METAL OD20XID8.5X2MM		2		
052	GM00002413	STAND-LEFT ASSY		1		
052		INC. 53,54				
053	GM00002154	RUBBER FOOT		2	*	
053-1	GM00002572	RUBBER FOOT	O	2		
054	GM00002164	SCREW 3X6 PWB		4		
055	GM00002417	STAND-RIGHT ASSY		1		
055		INC. 57,58				
056	GM00002160	LATCH KNOB ASSY		1		
057	GM00002154	RUBBER FOOT		2	*	
057-1	GM00002572	RUBBER FOOT	O	2		
058	GM00002164	SCREW 3X6 PWB		4		
059	GM00002157	METAL OD20XID8.5X2MM		2		
060	GM00002411	TUBE		2		
061	GM00002410	HEX. BOLT M8		2		
062	GM00002409	BASE PLATE		1		
063	GM00002408	SCREW 5X30PM		4		
064	GM00002155	NUT M5		4		
065	GM00001333	VIS 3 X 12 PWB		12		
066	GM00002387	HEAT SINK ASSY		1		
067	GM00002165	SCREW 3X18 PT		1		
A01B	GM00002358	LAMP SHADE		1		
A02A	GM00002359	ANTI-GLARE FILM		1		
F01	GM00002378	TRIPOD		1		
F03	GM00001396	PINCE DE FIXATION		1		

Veuillez indiquer les pièces n ° lorsque votre commande.

Date d'impression 10/13/2025