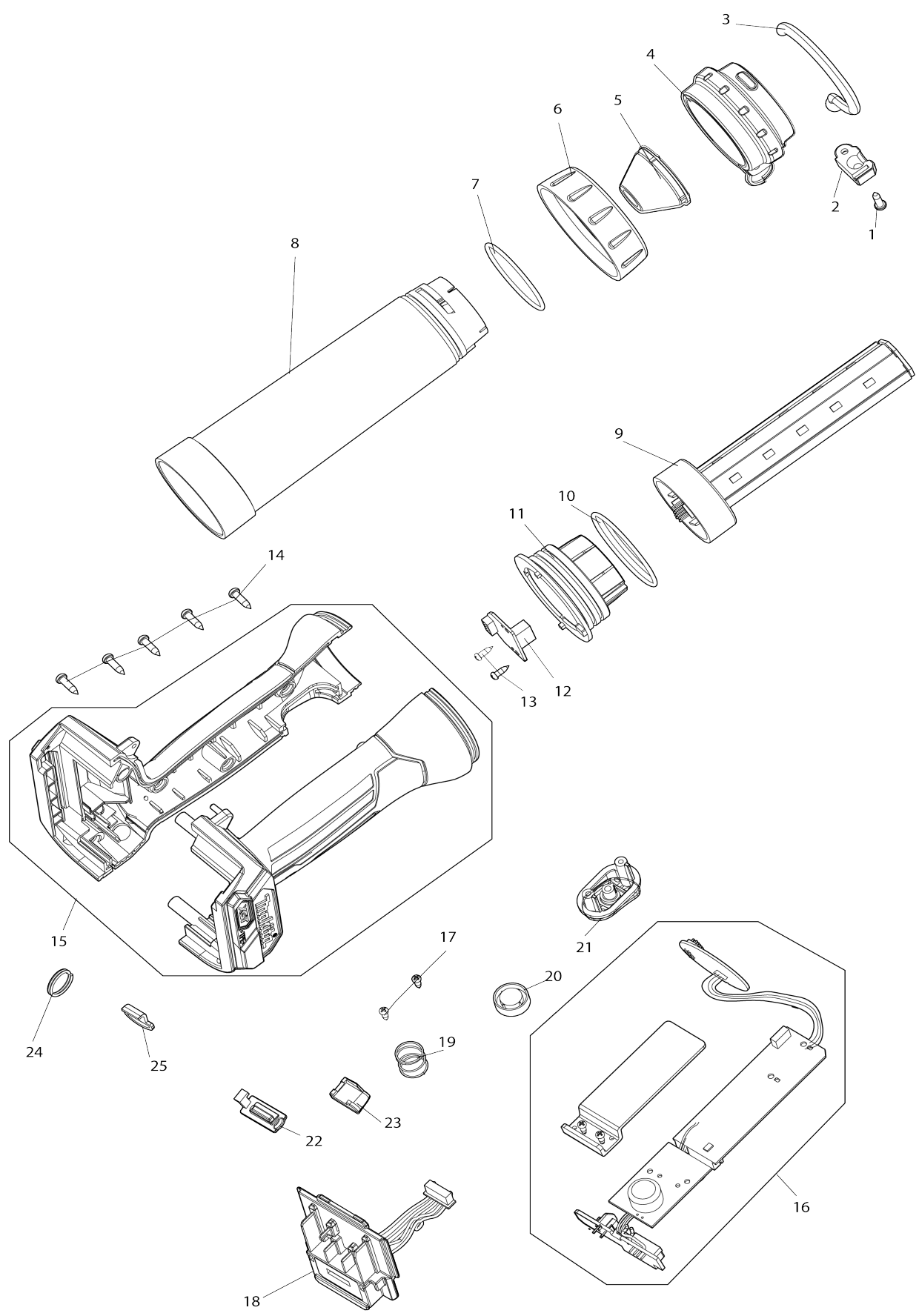


# Model No.ML002G CORDLESS WORKLIGHT



# Model No.ML002G CORDLESS WORKLIGHT

Numéro d'article	N ° de pièces	Description	Interchangeabilité	Q'ty	Nouvelle / ancienne	Note 1	Note 2
001	GM00001024	VIS 3X12		1			
002	GM00001472	HOOK BALL COVER C3020807002		1			
003	GM00001471	HOOK ASSY ROS88070000		1			
004	GM00001470	BEZEL ASSY ROS88070001		1			
005	GM00001469	REFLECTOR ROS88070008		1			
006	GM00001468	LOCK RING C0110184004		1			
007	GM00001467	O-RING C9820807003		1			
008	GM00001466	DIFFUSING CAP ROS88070007		1			
009	GM00002278	LED LAMP TUBE ASSY		1			
010	GM00001464	O-RING (CAP) C9820807004		1			
011	GM00001463	LAMP HOLDER C1020807004		1			
012	GM00001462	FEMALE SOCKET PCBA ROS88070003		1			
013	GM00001395	VIS 2.6X8PB		2			
014	GM00001024	VIS 3X12		5			
015	GM00002274	HOUSING ASSY		1			
016	GM00002276	MAIN PCBA ASSY		1	*		
016-1	GM00002488	MAIN +USB PCBA ASSY	<	1			
017	GM00001395	VIS 2.6X8PB		2			
018	GM00002275	BATTERY HOLDER		1			
019	GM00001689	RESSORT		1			
020	GM00001690	BOITIER INTERRUPTEUR		1			
021	GM00001461	SWITCH HOLDER ASSY ROS88070004		1			
022	GM00002277	USB RUBBER COVER		1			
023	GM00002279	USB SWITCH BUTTON		1			
024	SM00000190	RING B3103184009		1			
025	GM00001459	METAL STRAP HOOK B2808807021		1			

Veuillez indiquer les pièces n ° lorsque votre commande.

Date d'impression 07/06/2024