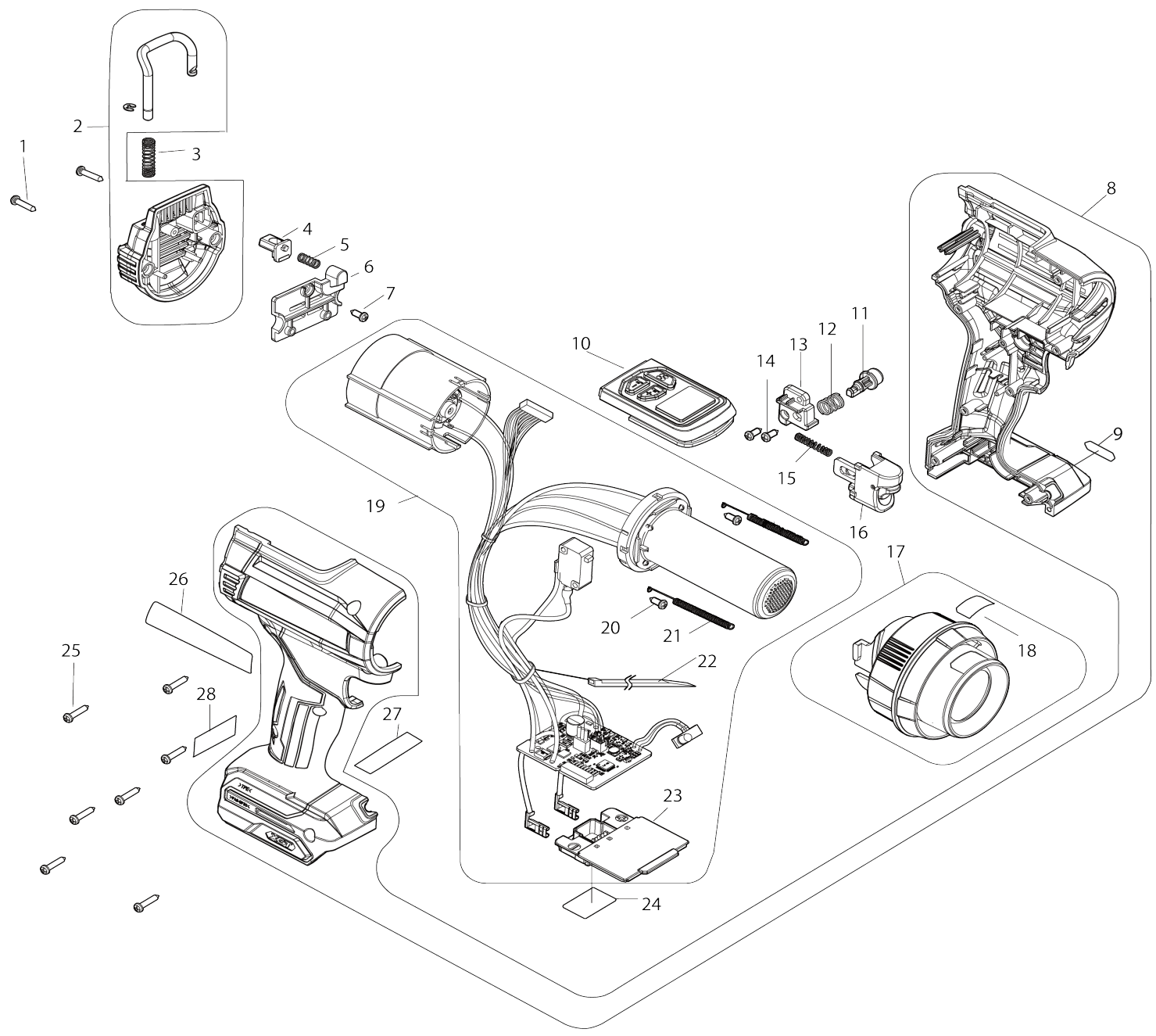


Model No.HG001G Décapeur Thermique Sans Fil



Model No.HG001G Décapeur Thermique Sans Fil

Numéro d'article	N ° de pièces	Description	Interchangeabilité	Q'ty	Nouvelle / ancienne	Note 1	Note 2
001	PR00000395	TAPPING SCREW ST2.9X16		2			
002	PR00000567	BACK COVER ASSEMBLY		1			
003	PR00000385	SPRING6		1			
004	PR00000387	HOOK RELEASE BUTTON		1			
005	PR00000388	SPRING5		1			
006	PR00000531	BACK COVER INSIDE		1			
007	PR00000293	TAPPING SCREW ST2.9X10		2			
008	PR00000523	HOUSING SET		1			
008		INC. 9					
009	8007R2-2	Étiquette du logo XGT		1			
010	PR00000524	CONTROL PANEL ASSY		1			
011	PR00000380	LOCK ON BUTTON		1			
012	PR00000381	SPRING9		1			
013	PR00000382	SUPPORT FRAME		1			
014	PR00000293	TAPPING SCREW ST2.9X10		2			
015	PR00000393	SPRING 4		1			
016	PR00000539	TRIGGER ASSY		1			
017	PR00000537	FRONT COVER WITH CAUTION LABEL		1			
017		INC. 18					
018	PR00000538	HIGH TEMPERATURE CAUTION LABEL		1			
019	PR00000532	HEATER MOTOR&CONT. ASSY		1			
019		INC. 20-23					
020	PR00000426	SCREW 2.5X10		2			
021	PR00000428	TENSION SPRING 3		2			
022	PR00000534	CABLE TIE		3			
023	632R99-1	Unité de borne		1	*		
023-1	632W78-9	Unité de borne	O	1			
024	PR00000535	SERIAL NUMBER LABEL		1			
025	PR00000395	TAPPING SCREW ST2.9X16		7			
026	PR00000550	NAME PLATE		1			
A09	PR00000028	GLASS PROTECTION NOZZLE		1			
A10	PR00000029	WIDE-SLOT NOZZLE		1			
A11	PR00000030	REFLECTOR NOZZLE		1			
A12	PR00000031	REDUCTION NOZZLE 20mm		1			
F01	PR00000028	GLASS PROTECTION NOZZLE		1			
F02	PR00000029	WIDE-SLOT NOZZLE		1			
F03	PR00000030	REFLECTOR NOZZLE		1			
F04	PR00000031	REDUCTION NOZZLE 20mm		1			
F05	PR00000032	OVERLAP WELDING NOZZLE		1			
F06	PR00000033	SOLDER SLEEVES REFLECTOR		1			
F07	PR00000034	WELDING NOZZLE		1			
F12	PR00000039	SPEED WELDING NOZZLE		1			

Veuillez indiquer les pièces n ° lorsque votre commande.

Date d'impression 02/16/2026