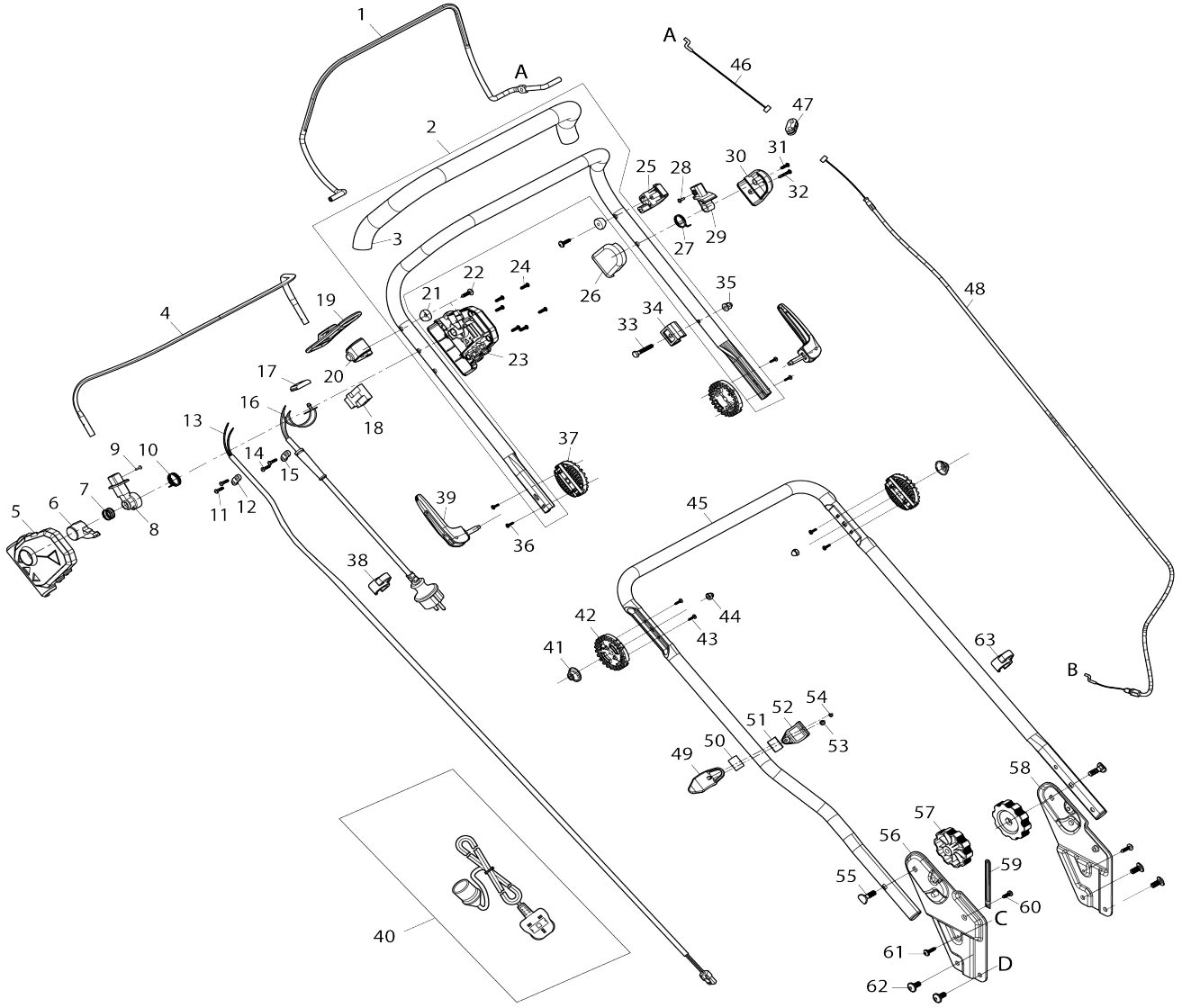
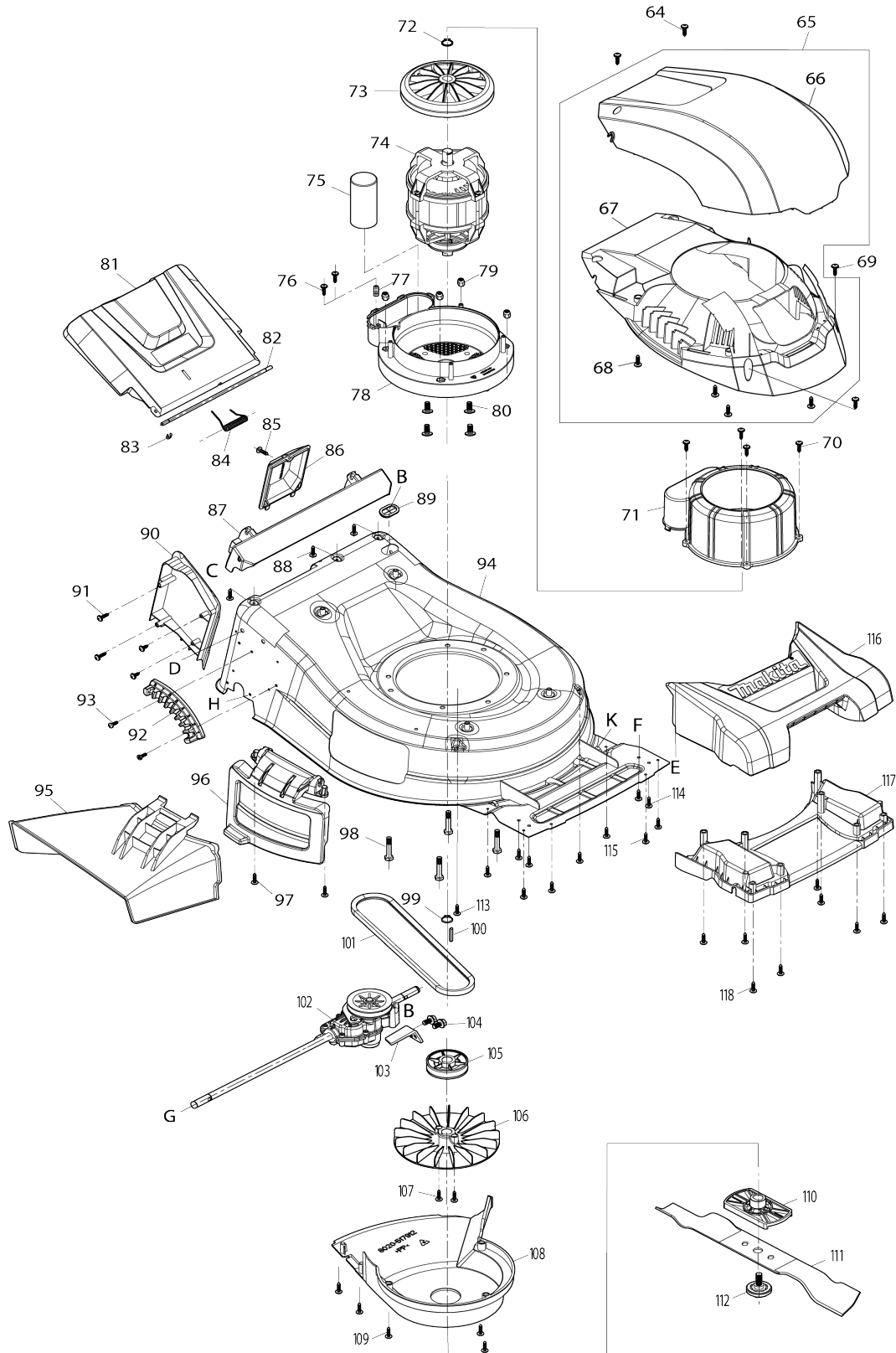


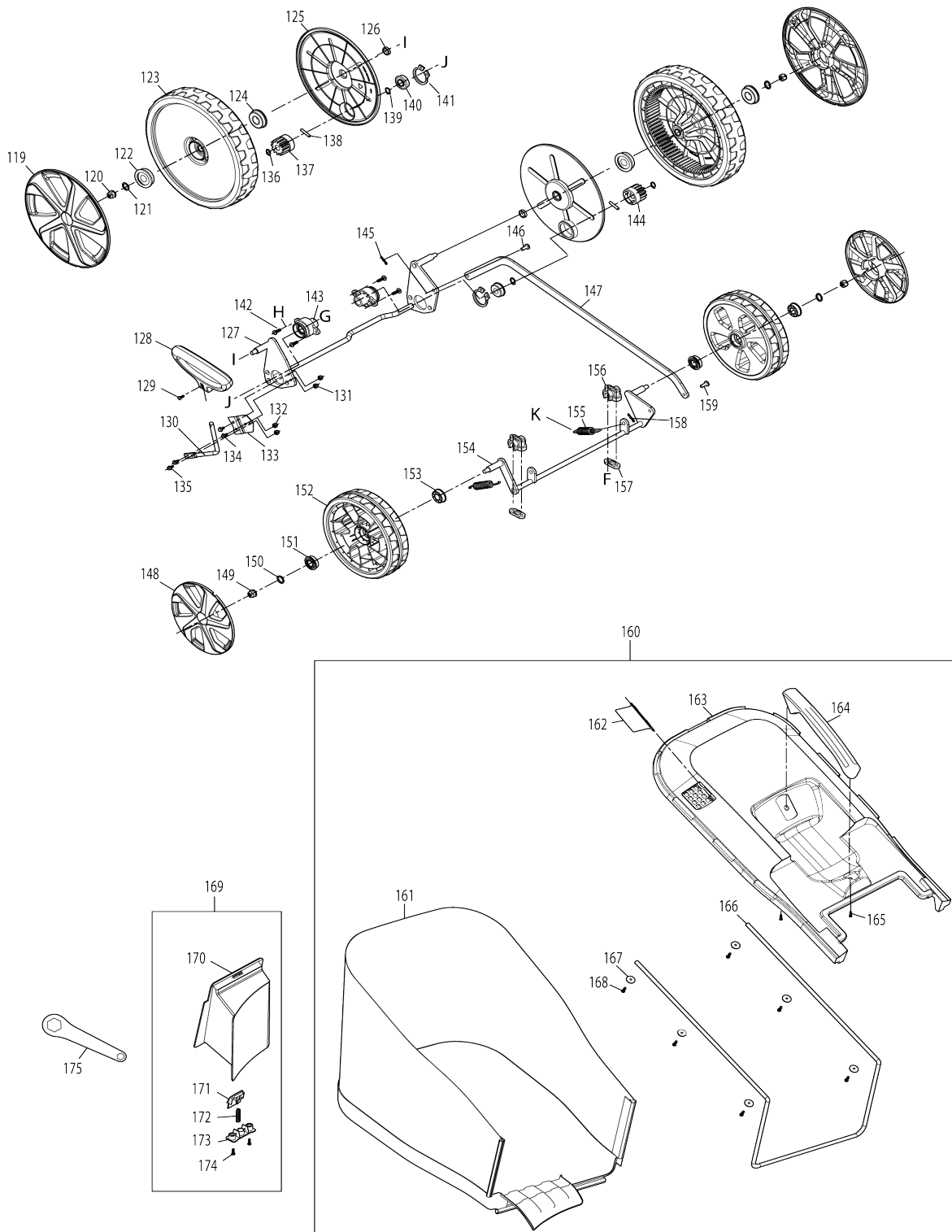
Model No.ELM4621 460MM ELECTRIC LAWN MOWER



Model No.ELM4621 460MM ELECTRIC LAWN MOWER



Model No.ELM4621 460MM ELECTRIC LAWN MOWER



Model No.ELM4621 460MM ELECTRIC LAWN MOWER

| Numéro d'article | N ° de pièces | Description | Interchangeabilité | Q'ty | Nouvelle / ancienne | Note 1 | Note 2 |
|------------------|---------------|-------------------------------|--------------------|------|---------------------|--------|--------|
| 001 | YA00001108 | DRIVE CONTROL LEVER | | 1 | | | |
| 002 | YA00001159 | UPPER HANDLE BAR ASSY | | 1 | | | |
| 002 | | INC. 3 | | | | | |
| 003 | YA00001185 | SPONGE GRIP | | 1 | | | |
| 004 | YA00001160 | SWITCH LEVER | | 1 | | | |
| 005 | YA00000765 | SWITCH BOX RIGHT | | 1 | | | |
| 006 | YA00000766 | SWITCH LINK BUTTON | | 1 | | | |
| 007 | YA00000767 | COMPRESSION SPRING 16.8 | | 1 | | | |
| 008 | YA00000768 | SWITCH LEVER END CAP RIGHT | | 1 | | | |
| 009 | 652024721 | SELF DRILLING SCREW 3.5X10 | | 1 | | | |
| 010 | YA00000769 | SWITCH TORSION SPRING 21 | | 1 | | | |
| 011 | YA00000778 | SELF TAPPING SCREW ST4X16 | | 2 | | | |
| 012 | YA00000780 | CORD CLAMP | | 1 | | | |
| 013 | YA00001038 | POWER SUPPLY CORD ASSY | | 1 | | | |
| 014 | YA00000778 | SELF TAPPING SCREW ST4X16 | | 2 | | | |
| 015 | YA00000780 | CORD CLAMP | | 1 | | | |
| 016 | YA00000773 | POWER SUPPLY CORD ASSY (EURO) | | 1 | | | |
| 017 | YA00000781 | INDICATOR LENS | | 1 | | | |
| 018 | YA00000772 | SWITCH | | 1 | | | |
| 019 | 652023811 | CABLE HANGER | | 1 | | | |
| 020 | YA00001105 | DRIVE CONTROL LEVER BRACKET R | | 1 | * | | |
| 020-1 | YA00001105 | DRIVE CONTROL LEVER BRACKET R | O | 1 | | | |
| 021 | YA00001106 | PLASTIC SADDLE WASHER 5 | | 2 | | | |
| 022 | YA00000820 | SELF TAPPING SCREW ST5X16 | | 2 | | | |
| 023 | YA00000782 | SWITCH BOX LEFT | | 1 | | | |
| 024 | YA00000778 | SELF TAPPING SCREW ST4X16 | | 6 | | | |
| 025 | YA00001107 | DRIVE CONTROL LEVER BRACKET L | | 1 | * | | |
| 025-1 | YA00001107 | DRIVE CONTROL LEVER BRACKET L | O | 1 | | | |
| 026 | 652023795 | SPRING BOX RIGHT | | 1 | | | |
| 027 | YA00000737 | TORSION SPRING | | 1 | | | |
| 028 | 652024721 | SELF DRILLING SCREW 3.5X10 | | 1 | | | |
| 029 | 652023794 | SWITCH LEVER END LEFT | | 1 | | | |
| 030 | 652023793 | SPRING BOX LEFT | | 1 | | | |
| 031 | YA00000778 | SELF TAPPING SCREW ST4X16 | | 1 | | | |
| 032 | YA00000785 | SELF TAPPING SCREW ST4X25 | | 1 | | | |
| 033 | YA00001109 | HEX. BOLT M6X35 | | 1 | | | |
| 034 | YA00001110 | OUTER WIRE STOPPER | | 1 | | | |
| 035 | YA00000802 | HEX.FRANGE CAP NUT M6 | | 1 | | | |
| 036 | YA00000960 | SELF TAPPING SCREW ST3X12 | | 4 | | | |
| 037 | YA00000961 | ANGLE ADJUSTMENT JOINT UPPER | | 2 | | | |
| 038 | YA00000921 | CABLE CLIP | | 1 | | | |
| 039 | YA00000975 | TENSION LEVER ASSY | | 2 | | | |
| 040 | YA00000858 | EXTENSION LINE CABLE | | 1 | * | | |

| | | | | | | |
|-----|------------|-------------------------------|--|---|--|--|
| 041 | YA00000976 | CONICAL SPRING | | 2 | | |
| 042 | YA00000977 | ANGLE ADJUSTMENT JOINT LOWER | | 2 | | |
| 043 | YA00000960 | SELF TAPPING SCREW ST3X12 | | 4 | | |
| 044 | YA00000802 | HEX.FRANGE CAP NUT M6 | | 2 | | |
| 045 | YA00001046 | LOWER HANDLE BAR | | 1 | | |
| 046 | YA00001143 | DRIVE CONTOROL WIRE SHORT | | 1 | | |
| 047 | YA00001142 | WIRE JOINT | | 1 | | |
| 048 | YA00001161 | DRIVE CONTOROL WIRE LONG | | 1 | | |
| 049 | YA00000970 | CABLE GUIDE RING | | 1 | | |
| 050 | YA00000971 | RUBBER SHEET | | 1 | | |
| 051 | YA00000971 | RUBBER SHEET | | 1 | | |
| 052 | YA00000972 | CABLE GUIDE CLAMP | | 1 | | |
| 053 | YA00000873 | SELF TAPPING SCREW ST4X12 | | 1 | | |
| 054 | YA00000973 | SELF TAPPING SCREW ST3X16 | | 1 | | |
| 055 | YA00000983 | SQUARE NECKED BOLT M8X40 | | 2 | | |
| 056 | YA00001060 | HANDLE BRACKET RIGHT | | 1 | | |
| 057 | YA00000803 | M8 KNOB | | 2 | | |
| 058 | YA00001063 | HANDLE BRACKET LEFT | | 1 | | |
| 059 | YA00000997 | CABLE CLAMP | | 1 | | |
| 060 | YA00000998 | PAN HEAD SCREW M6X8 | | 1 | | |
| 061 | YA00000778 | SELF TAPPING SCREW ST4X16 | | 2 | | |
| 062 | YA00000995 | H.S.TRUSS HEAD SCREW M8X16 | | 4 | | |
| 063 | YA00000921 | CABLE CLIP | | 1 | | |
| 064 | 652023758 | PAN HEAD SCREW M5X16 | | 2 | | |
| 065 | YA00001125 | MOTOR HOOD ASSY BLUE | | 1 | | |
| 065 | | INC. 66-68 | | | | |
| 066 | YA00001070 | MOTOR HOOD UPPER BLUE | | 1 | | |
| 067 | YA00001126 | MOTOR HOOD LOWER | | 1 | | |
| 068 | YA00000820 | SELF TAPPING SCREW ST5X16 | | 4 | | |
| 069 | 652023758 | PAN HEAD SCREW M5X16 | | 2 | | |
| 070 | YA00000778 | SELF TAPPING SCREW ST4X16 | | 4 | | |
| 071 | YA00001140 | MOTER HOUSING UPPER | | 1 | | |
| 072 | YA00001096 | RETAINING RING S-17 | | 1 | | |
| 073 | YA00001097 | FAN | | 1 | | |
| 074 | YA00001074 | MOTOR ASSY 230V 50Hz | | 1 | | |
| 075 | YA00001099 | CAPACTOR 25MICRO F 500V | | 1 | | |
| 076 | YA00000778 | SELF TAPPING SCREW ST4X16 | | 2 | | |
| 077 | 652023752 | CABLE PRESSBOARD | | 1 | | |
| 078 | YA00001075 | MOTOR HOUSING LOWER | | 1 | | |
| 079 | 652023843 | NYLON INSERT HEX. LOCK NUT M8 | | 4 | | |
| 080 | YA00000995 | H.S.TRUSS HEAD SCREW M8X16 | | 4 | | |
| 081 | YA00001058 | REAR FLAP BULE | | 1 | | |
| 082 | YA00001122 | REAR FLAP HINGE ROD | | 1 | | |
| 083 | YA00000990 | STOP RING E-5 | | 1 | | |
| 084 | YA00000994 | REAR FLAP TORSION SPRING 7.7 | | 1 | | |
| 085 | 652023758 | PAN HEAD SCREW M5X16 | | 1 | | |
| 086 | YA00001134 | GEAR BOX HOOD | | 1 | | |
| 087 | YA00001061 | REAR FLAP HINGE BASE BLUE | | 1 | | |
| 088 | YA00000778 | SELF TAPPING SCREW ST4X16 | | 3 | | |
| 089 | YA00001135 | GROMET | | 1 | | |

| | | | | | | |
|-------|------------|--------------------------------|---|---|---|--|
| 090 | YA00001089 | GRASS OUTLET SLOPE BOARD | | 1 | | |
| 091 | YA00000778 | SELF TAPPING SCREW ST4X16 | | 4 | | |
| 092 | YA00001064 | HEIGHT ADJUSTER STOP PLATE | | 1 | | |
| 093 | 652023758 | PAN HEAD SCREW M5X16 | | 2 | | |
| 094 | YA00001123 | DECK | | 1 | | |
| 095 | YA00001090 | SIDE DISCHARGE OUTLET | | 1 | | |
| 096 | YA00001092 | SIDE DISCHARGE FLAP ASSY | | 1 | | |
| 097 | YA00001091 | SELF TAPPING SCREW ST5X12 | | 2 | | |
| 098 | YA00001076 | HEX. BOLT M8X35 | | 4 | | |
| 099 | YA00001096 | RETAINING RING S-17 | | 1 | | |
| 100 | YA00001141 | FLAT KEY | | 1 | | |
| 101 | YA00001138 | V BELT XPZ 772 | | 1 | | |
| 102 | YA00001121 | SELF DRIVING GEAR BOX ASSY | | 1 | | |
| 103 | YA00001137 | GEAR BOX STABILIZER | | 1 | | |
| 104 | YA00001136 | HEX. FLANGE BOLT M6X16 | | 2 | | |
| 105 | YA00001139 | V PULLEY | | 1 | | |
| 106 | YA00001094 | FAN LOWER SIDE | | 1 | | |
| 107 | YA00001024 | SELF TAPPING SCREW ST5X20 | | 2 | | |
| 108 | YA00001095 | UNDER COVER | | 1 | | |
| 109 | YA00000778 | SELF TAPPING SCREW ST4X16 | | 5 | | |
| 110 | YA00001066 | BLADE SUPPORT | | 1 | | |
| 111 | YA00000742 | BLADE 46 | | 1 | * | |
| 111-1 | YA00000741 | BLADE 460 SET | O | 1 | | |
| 112 | YA00001067 | BLADE BOLT M10X30 | | 1 | | |
| 113 | YA00001031 | SELF TAPPING SCREW ST4X10 | | 2 | | |
| 114 | YA00001024 | SELF TAPPING SCREW ST5X20 | | 4 | | |
| 115 | YA00000820 | SELF TAPPING SCREW ST5X16 | | 6 | | |
| 116 | YA00001079 | FRONT HOOD BLUE | | 1 | | |
| 117 | YA00001080 | FRONT AXLE COVER | | 1 | | |
| 118 | YA00000778 | SELF TAPPING SCREW ST4X16 | | 8 | | |
| 119 | YA00001049 | WHEEL CAP 9.5 INCH | | 2 | | |
| 120 | 652023843 | NYLON INSERT HEX. LOCK NUT M8 | | 2 | | |
| 121 | YA00000420 | WASHER | | 2 | | |
| 122 | YA00001186 | FLANGED WHEEL BEARING 1/2 INCH | | 2 | | |
| 123 | YA00001050 | WHEEL ASSY 11 INCH | | 2 | * | |
| 123-1 | YA00001113 | WHEEL ASSY 11 INCH | < | 2 | | |
| 124 | YA00001186 | FLANGED WHEEL BEARING 1/2 INCH | | 2 | | |
| 125 | YA00001132 | WHEEL COVER ISIDE | | 2 | | |
| 126 | YA00001088 | SPACER RING 1/2"X5MM | | 1 | * | |
| 126-1 | YA00001088 | SPACER RING 1/2"X5MM | < | 2 | | |
| 127 | YA00001052 | REAR AXLE | | 1 | * | |
| 127-1 | YA00001115 | REAR AXLE | X | 1 | | |
| 128 | YA00000989 | HEIGHT ADJUST GRIP | | 1 | | |
| 129 | YA00000988 | PAN HEAD SCREW M4X12 | | 1 | | |
| 130 | YA00001053 | HIGHT ADJUST LEVER | | 1 | | |
| 131 | YA00000393 | NYLON INSERT HEX. LOCK NUT M5 | | 2 | * | |
| 131-1 | YA00000393 | NYLON INSERT HEX. LOCK NUT M5 | O | 2 | | |
| 132 | YA00000393 | NYLON INSERT HEX. LOCK NUT | | 2 | * | |

| | | | | | | |
|-------|------------|--------------------------------|---|---|--|--|
| | | M5 | | | | |
| 132-1 | YA00000393 | NYLON INSERT HEX. LOCK NUT M5 | O | 2 | | |
| 133 | YA00000986 | HEIGHT ADJUST SPRING | | 1 | | |
| 134 | YA00000407 | HEX. FLANGE BOLT M5X16 | | 2 | | |
| 135 | YA00000407 | HEX. FLANGE BOLT M5X16 | | 2 | | |
| 136 | YA00001117 | RETAINING RING S-12 | | 2 | | |
| 137 | YA00001130 | SPUR GEAR 13 RIGHT | | 1 | | |
| 138 | YA00001131 | COLUMN PIN 5X25 | | 2 | | |
| 139 | YA00001117 | RETAINING RING S-12 | | 2 | | |
| 140 | YA00001118 | FLANGED WHEEL BEARING ID=12 | | 2 | | |
| 141 | YA00001119 | RETAINING RING S-34 | | 2 | | |
| 142 | 652023758 | PAN HEAD SCREW M5X16 | | 4 | | |
| 143 | YA00001120 | REAR AXLE MOUNT | | 2 | | |
| 144 | YA00001133 | SPUR GEAR 13 LEFT | | 1 | | |
| 145 | YA00000851 | R PIN 7 | | 1 | | |
| 146 | YA00001018 | PIN 7 | | 1 | | |
| 147 | YA00001127 | CONNECTING ROD | | 1 | | |
| 148 | YA00001081 | WHEEL CAP 7 INCH | | 2 | | |
| 149 | 652023843 | NYLON INSERT HEX. LOCK NUT M8 | | 2 | | |
| 150 | YA00000420 | WASHER | | 2 | | |
| 151 | YA00001100 | NLYON SLEEVE | | 2 | | |
| 152 | YA00001082 | WHEEL 8 INCH | | 2 | | |
| 153 | YA00001100 | NLYON SLEEVE | | 2 | | |
| 154 | YA00001085 | FRONT AXLE | | 1 | | |
| 155 | YA00001084 | HEIGHT ADJUST ASSIST SPRING | | 2 | | |
| 156 | YA00001083 | FRONT AXLE MOUNT UPPER | | 2 | | |
| 157 | YA00001025 | FRONT AXLE MOUNT LOWER | | 2 | | |
| 158 | YA00000851 | R PIN 7 | | 1 | | |
| 159 | YA00001018 | PIN 7 | | 1 | | |
| 160 | YA00001039 | GRASS BOX ASSY(MAKITA) | | 1 | | |
| 160 | | INC. 161-168 | | | | |
| 161 | YA00001041 | GRASS CATCH SIDE CLOSS SET MAK | | 1 | | |
| 162 | YA00000791 | GRASS CATCHER INDICATOR BLUE | | 1 | | |
| 163 | YA00001043 | GRASS CATCHER UPPER BORAD | | 1 | | |
| 164 | YA00000795 | GRIP | | 1 | | |
| 165 | YA00000778 | SELF TAPPING SCREW ST4X16 | | 2 | | |
| 166 | YA00001111 | GRASS CATCHER FRAME | | 1 | | |
| 167 | YA00000796 | WASHER 4 | | 6 | | |
| 168 | YA00000778 | SELF TAPPING SCREW ST4X16 | | 6 | | |
| 169 | YA00001047 | MULTING PLUG ASSY | | 1 | | |
| 169 | | INC. 170-174 | | | | |
| 170 | YA00001048 | MULTING PLUG BOX | | 1 | | |
| 171 | YA00000980 | LATCH HANDLE | | 1 | | |
| 172 | YA00001112 | COMPRESSION SPRING | | 1 | | |
| 173 | YA00000982 | SPRING RETAINER | | 1 | | |
| 174 | YA00000778 | SELF TAPPING SCREW ST4X16 | | 2 | | |
| 175 | YA00001045 | SPANNER 10-27 | | 1 | | |

Veuillez indiquer les pièces n ° lorsque votre commande.

Date d'impression 12/23/2025