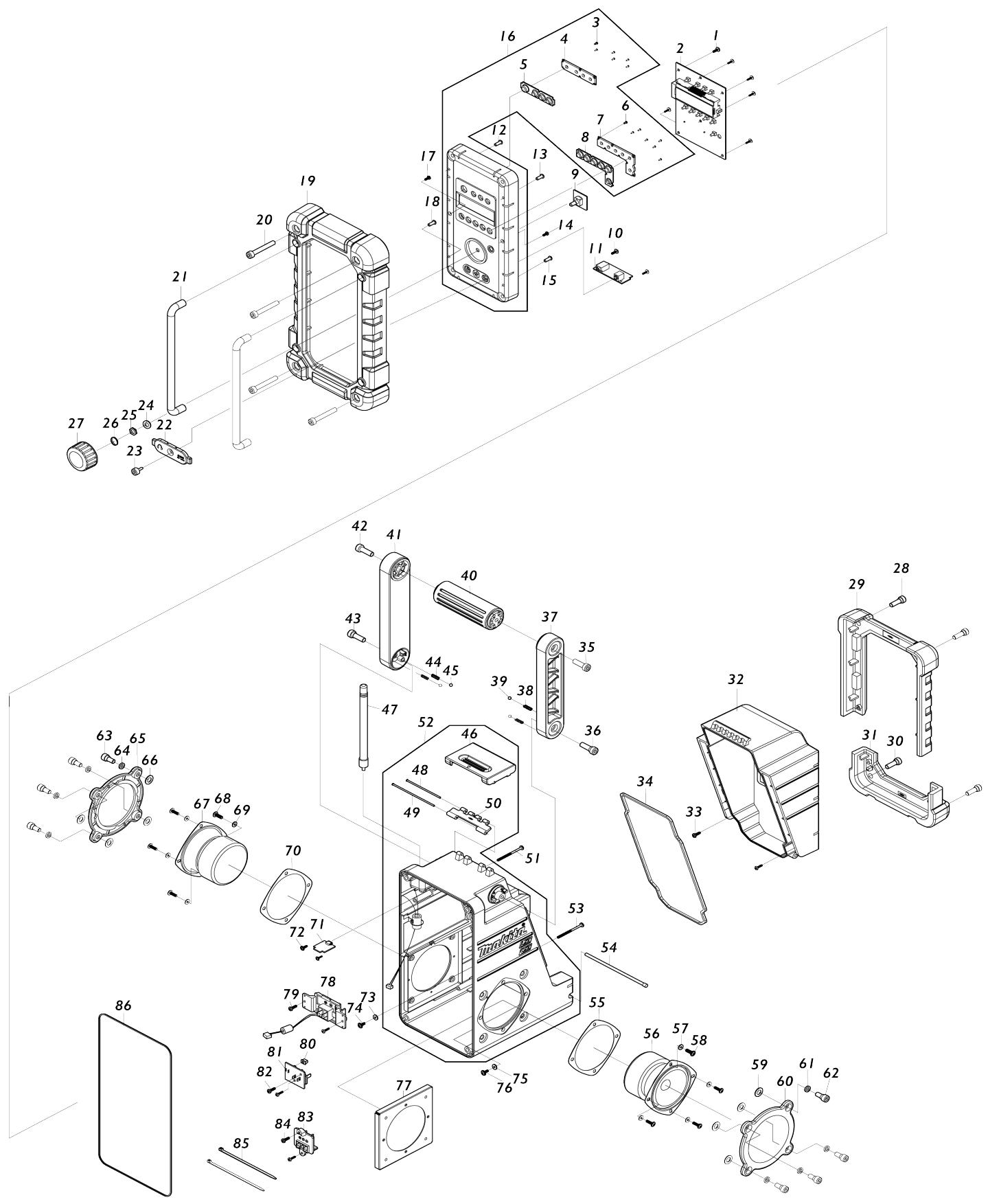


Model No.DMR110N JOB SITE RADIO



Model No.DMR110N JOB SITE RADIO

Numéro d'article	N ° de pièces	Description	Interchangeabilité	Q'ty	Nouvelle / ancienne	Note 1	Note 2
001	SE00000325	SCREW PTB 3X8(NI)		6			
002	SE00001087	PCB A ASS'Y		1	*		
002-1	SE00001326	PCB A ASS'Y	<	1			
003	SE09090011	SCREW 1.7		6			
004	SE020PC020	POWER BUTTON HOLDER		1			
005	SE00000274	POWER BUTTON		1			
006	SE09090011	SCREW 1.7		7			
007	SE020PC030	PRESET BUTTON HOLDER		1			
008	SE00000275	PRESET BUTTON		1			
009	SE00001088	PCB P ENCODER ASS'Y		1			
010	SE00000193	SCREW 3X10		2			
011	SE00001089	PCB P DC JACK ASS'Y		1			
012	SE09064161	SCREW M4X16		1			
013	SE09064161	SCREW M4X16		1			
014	SE00000325	SCREW PTB 3X8(NI)		1			
015	SE09064161	SCREW M4X16		1			
016	SE00001090	FRONT CABINET ASS'Y		1			
016		INC. 3-8					
017	SE00000325	SCREW PTB 3X8(NI)		1			
018	SE09064161	SCREW M4X16		1			
019	SE00000159	FRONT BUMPER		1			
020	SE00000160	SCREW PTHE6X47(CR)		4			
021	SE0338PC5Z	FRONT BAR		2			
022	SE00000042	JACK COVER		1			
023	SE09173106	HEX SCREW M3X10		1			
024	SE00000754	EN/SW WASHER		1			
025	SE00000755	EN/SW NUT		1			
026	SE21B1110A	ROTARY KNOB RING		1			
027	SE00000465	ROTARY KNOB BLK 3102PC0000040		1			
028	SE09176166	HEX SCREW M6X16		2			
029	SE00000162	BATTERY COVER BUMPER		1			
030	SE09176166	HEX SCREW M6X16		2			
031	SE00000165	REAR BUMPER		1			
032	SE00000166	BATTERY COVER		1			
033	SE00000325	SCREW PTB 3X8(NI)		2			
034	SE00000168	PACKING		1			
035	SE00000176	SCREW PTHE6X20(CR)		1			
036	SE09176166	HEX SCREW M6X16		1			
037	SE00000177	HANDLE HOLDER(R)		1			
038	SE00000184	SPRING		2			
039	SE09994007	STEEL BALL		2			
040	SE00000179	HANDLE		1			
041	SE00000180	HANDLE HOLDER (L)		1			
042	SE00000176	SCREW PTHE6X20(CR)		1			
043	SE09176166	HEX SCREW M6X16		1			
044	SE00000184	SPRING		2			
045	SE09994007	STEEL BALL		2			

046	SE00000190	BATTERY COVER LOCKER		1		
047	SE00000284	RUBBER ANT 174-240(BLACK)		1		
048	SE021PC050	LOCKER FIXER PIN 62.8		1		
049	SE021PC040	LOCKER FIXER PIN 79.5		1		
050	SE00000067	LOCKER HINGER		1		
051	SE09163452	SCREW M3X45		1		
052	SE00001091	REAR CABINET ASS'Y(BLUE)		1		
052		INC. 46,48-50				
053	SE09163452	SCREW M3X45		1		
054	SE021PC030	BATTERY COVER LOCKER		1		
055	SE024J9030	PACKING		1		
056	SE00001093	SPEAKER RIGHT		1		
057	SE024J9070	PACKING		4		
058	SE09090023	SCREW M4X12		4		
059	SE024J9090	PACKING		4		
060	SE00000205	SPEAKER NET ASSY		1		
061	SE024J9040	PACKING		4		
062	SE9076146A	HEX SCREW M6X14		4		
063	SE9076146A	HEX SCREW M6X14		4		
064	SE024J9040	PACKING		4		
065	SE00000205	SPEAKER NET ASSY		1		
066	SE024J9090	PACKING		4		
067	SE00001094	SPEAKER LEFT		1		
068	SE09090023	SCREW M4X12		4		
069	SE024J9070	PACKING		4		
070	SE024J9030	PACKING		1		
071	SE00000674	PCB G UPDATE USB ASS'Y		1		
072	SE00000193	SCREW 3X10		2		
073	SE00000199	SILICON RUBBER WASHER		1		
074	SE00000193	SCREW 3X10		1		
075	SE00000199	SILICON RUBBER WASHER		1		
076	SE00000193	SCREW 3X10		1		
077	SE021J9010	SPEAKER HOLDER		1		
078	SE00001095	LXT TERMINAL		1		
079	SE00000325	SCREW PTB 3X8(NI)		2		
080	SE00000430	SWITCH KNOB		1		
081	SE00001096	PCB P BATTERY SWITCH ASS'Y		1		
082	SE00000325	SCREW PTB 3X8(NI)		2		
083	SE00000473	TERMINAL 10.8V ASSY 011 WA1		1		
084	SE00000325	SCREW PTB 3X8(NI)		2		
085	SE00000195	W/TIES 100MM		2		
086	SE024PC040	PACKING		1		
A01	SE00000265	AC ADAPTER		1		

Veuillez indiquer les pièces n ° lorsque votre commande.

Date d'impression 01/20/2025