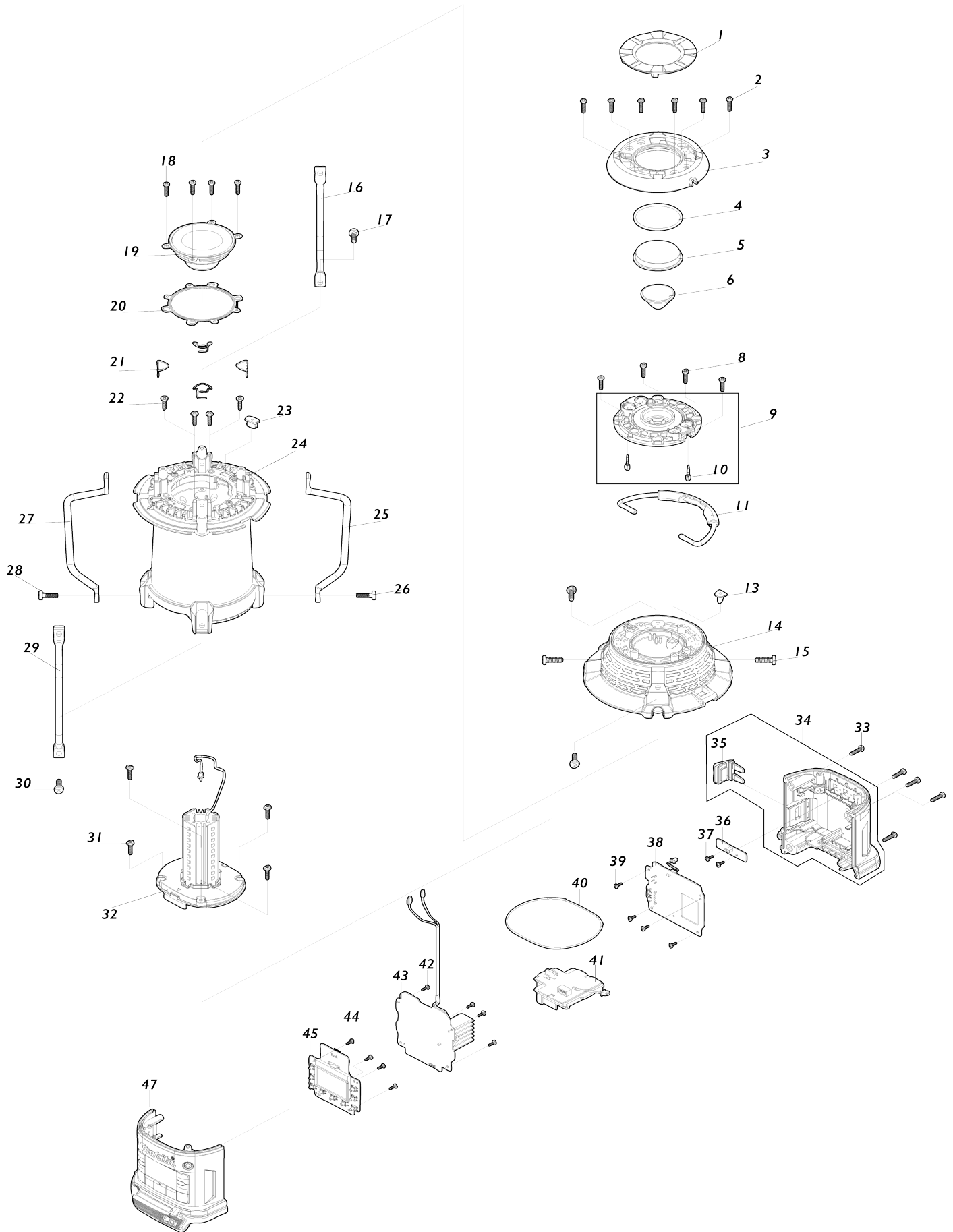


Model No.DMR056 CORDLESS RADIO WITH LANTERN



Model No.DMR056 CORDLESS RADIO WITH LANTERN

Numé ro d'a rticle	N ° de pièces	Description	Interc hang eabilit é	Q'ty	Nouv elle / ancie nne	Note 1	Note 2
001	SE00001125	TOP PANEL		1			
002	SE00001127	TAPPING SCREW 3X12(ZK)		6			
003	SE00001128	TOP COVER		1			
004	SE00001129	O RING D37.8 W2		1			
005	SE00001130	FLASH LIGHT LENS		1			
006	SE00001131	LED LENS		1			
008	SE00001127	TAPPING SCREW 3X12(ZK)		4			
009	SE00001134	LED HOLDER+PCB F ASS'Y (MR054)		1			
D10		INC. 10					
010	SE00001136	RUBBER PAD A		2			
011	SE00001137	HANDLE		1			
013	SE00001138	WATERPROOF PLUG A		1			
014	SE00001139	TOP CABINET ASS'Y		1			
015	SE00001140	HEX SOCKET HEAD BOLT M4X16		4			
016	SE00001141	FIXER BAR		1			
017	SE00001142	HEX SOCKET HEAD BOLT M4X13		1	*		
018	SE00001127	TAPPING SCREW 3X12(ZK)		4			
019	SE00001144	SPEAKER		1			
020	SE00001146	PACKING		1			
021	SE00001197	SPRING WIRE		4			
022	SE00001148	SCREW STB 3X12(MC)		4			
023	SE00001149	WATERPROOF PLUG B		1			
024	SE00001198	LAMP COVER ASS'Y		1			
025	SE00001141	FIXER BAR		1			
026	SE00001142	HEX SOCKET HEAD BOLT M4X13		1	*		
027	SE00001141	FIXER BAR		1			
028	SE00001142	HEX SOCKET HEAD BOLT M4X13		1	*		
029	SE00001141	FIXER BAR		1			
030	SE00001142	HEX SOCKET HEAD BOLT M4X13		1	*		
031	SE00001127	TAPPING SCREW 3X12(ZK)		4	*		
032	SE00001200	PCB D+E ASSY		1			
033	SE00001127	TAPPING SCREW 3X12(ZK)		5			
034	SE00001202	REAR BOTTOM CABINET ASS'Y		1			
D10		INC. 35					
035	SE00001158	USB RUBBER COVER		1			
036	SE00001204	PCB K ASS'Y		1			
037	SE00001160	TAPPING SCREW 2X6		2			
038	SE00001206	PCB H ASS'Y		1			
039	SE00001160	TAPPING SCREW 2X6		4			
040	SE00001163	BOTTOM CABINET PACKING D1.5xL2		1			
041	SE00001208	TERMINAL		1			
042	SE00001160	TAPPING SCREW 2X6		4			
043	SE00001210	PCB A ASS'Y		1			
044	SE00001160	TAPPING SCREW 2X6		4			
045	SE00001212	PCB C ASS'Y		1			
047	SE00001214	FRONT BOTTOM CABINET ASS'Y		1			

A01	SE00001178	STRAP WITH HOOK		1		
-----	------------	-----------------	--	---	--	--

Veillez indiquer les pièces n ° lorsque votre commande.

Date d'impression 06/06/2024