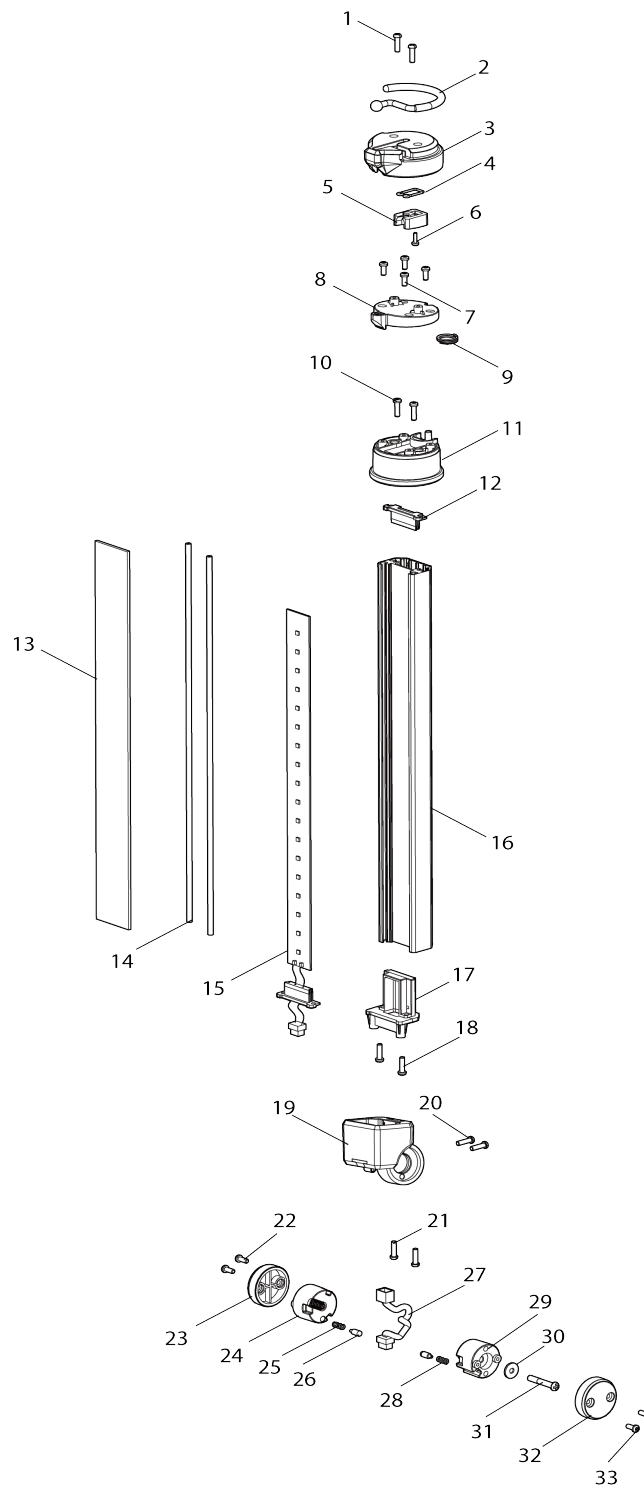
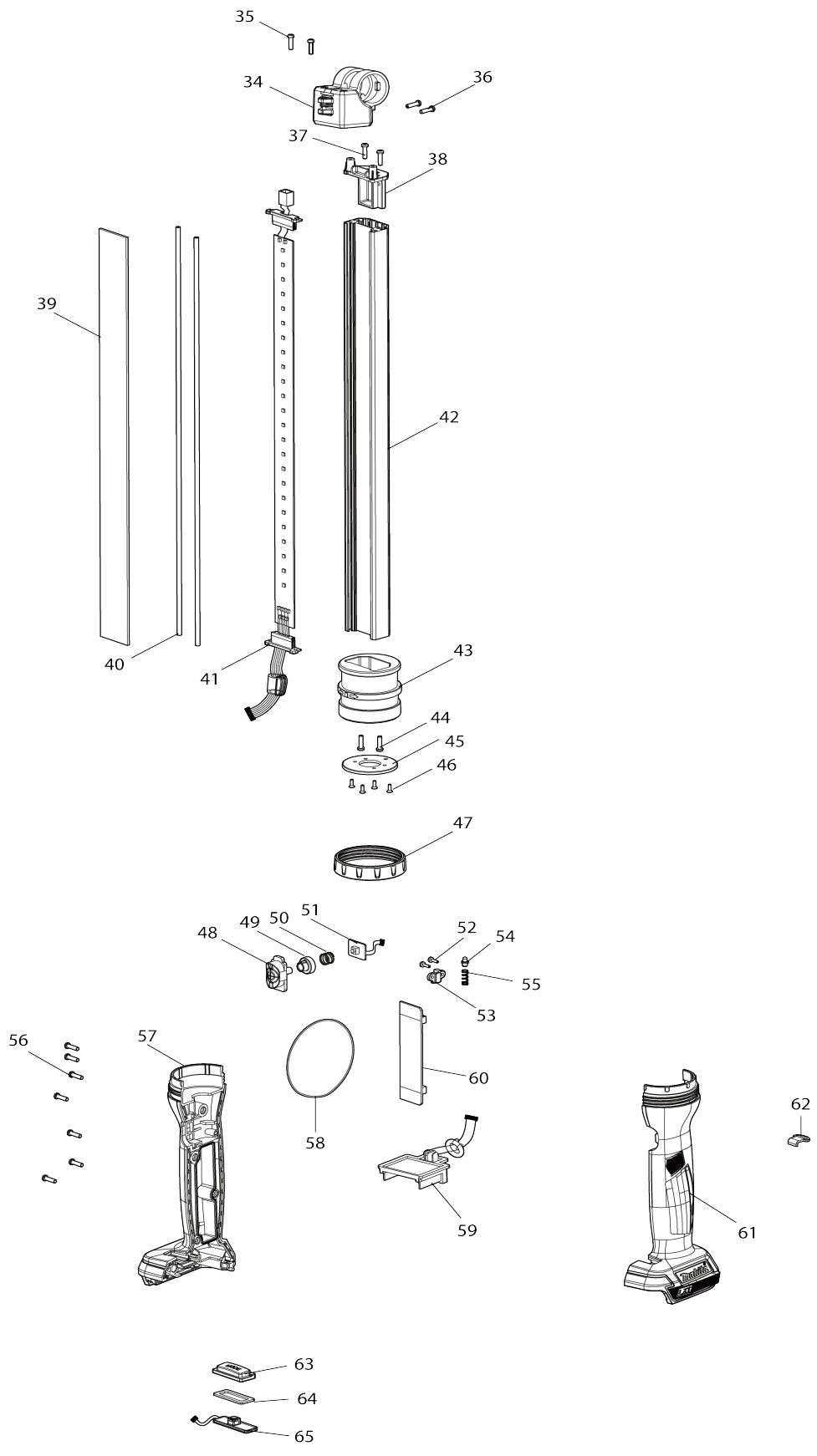


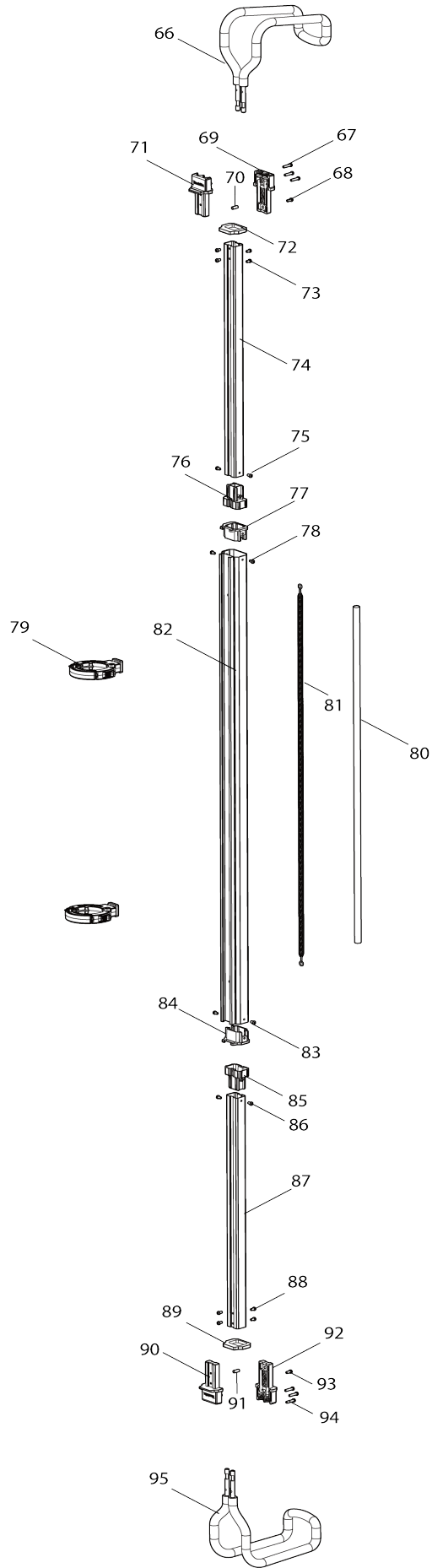
Model No.DML818 CORDLESS BAR LIGHT



Model No.DML818 CORDLESS BAR LIGHT



Model No.DML818 CORDLESS BAR LIGHT



Model No.DML818 CORDLESS BAR LIGHT

| Numéro d'article | N ° de pièces | Description | Interchangeabilité | Q'ty | Nouvelle / ancienne | Note 1 | Note 2 |
|------------------|---------------|----------------------|--------------------|------|---------------------|--------|--------|
| 001 | GM00001012 | VIS 3X12 | | 2 | | | |
| 002 | GM00002543 | TOP HOOK | | 1 | | | |
| 003 | GM00002542 | TOP SUPPORT B | | 1 | | | |
| 004 | GM00002541 | TOP HOOK SPRING | | 1 | | | |
| 005 | GM00002540 | HOOK SPRING COVER | | 1 | | | |
| 006 | GM00001322 | SCREW 2.6X8 PB | | 1 | | | |
| 007 | GM00001332 | VIS 3 X 8 PB | | 4 | | | |
| 008 | GM00002539 | HOOK SUPPORT | | 1 | | | |
| 009 | GM00002284 | RING | | 1 | | | |
| 010 | GM00002546 | SCREW 3.2X12 PM | | 2 | | | |
| 011 | GM00002535 | TOP SUPPORT A | | 1 | | | |
| 012 | GM00002534 | LENS CUSHION B | | 1 | | | |
| 013 | GM00002538 | LENS B | | 1 | | | |
| 014 | GM00002537 | LENS O RING B | | 2 | | | |
| 015 | GM00002552 | LED PCBA ASS'Y-B | | 1 | | | |
| 016 | GM00002533 | ALUMINUM COVER B | | 1 | | | |
| 017 | GM00002532 | MIDDLE SUPPORT B1 | | 1 | | | |
| 018 | GM00002546 | SCREW 3.2X12 PM | | 2 | | | |
| 019 | GM00002531 | MIDDLE SUPPORT B2 | | 1 | | | |
| 020 | GM00001012 | VIS 3X12 | | 2 | | | |
| 021 | GM00001012 | VIS 3X12 | | 2 | | | |
| 022 | GM00001332 | VIS 3 X 8 PB | | 2 | | | |
| 023 | GM00002526 | SPINDLE COVER | | 1 | | | |
| 024 | GM00002527 | SPINDLE L | | 1 | | | |
| 025 | GM00002224 | COMPRESSION SPRING | | 1 | | | |
| 026 | GM00002525 | NEEDLE B | | 2 | | | |
| 027 | GM00002528 | 2P HOUSING CONNECTOR | | 1 | | | |
| 028 | GM00002224 | COMPRESSION SPRING | | 1 | | | |
| 029 | GM00002529 | SPINDLE R | | 1 | | | |
| 030 | GM00002530 | FLAT WASHER | | 1 | | | |
| 031 | GM00002547 | SCREW 4X26 PM | | 1 | | | |
| 032 | GM00002526 | SPINDLE COVER | | 1 | | | |
| 033 | GM00001332 | VIS 3 X 8 PB | | 2 | | | |
| 034 | GM00002524 | MIDDLE SUPPORT A2 | | 1 | | | |
| 035 | GM00001012 | VIS 3X12 | | 2 | | | |
| 036 | GM00001012 | VIS 3X12 | | 2 | | | |
| 037 | GM00002546 | SCREW 3.2X12 PM | | 2 | | | |
| 038 | GM00002523 | MIDDLE SUPPORT A1 | | 1 | | | |
| 039 | GM00002522 | LENS A | | 1 | | | |
| 040 | GM00002521 | LENS O RING A | | 2 | | | |
| 041 | GM00002551 | LED PCBA ASS'Y-A | | 1 | | | |
| 042 | GM00002519 | ALUMINUM COVER A | | 1 | | | |
| 043 | GM00002518 | BOTTOM SUPPORT | | 1 | | | |
| 044 | GM00002546 | SCREW 3.2X12 PM | | 2 | | | |
| 045 | GM00002517 | NEEDLE SUPPORT | | 1 | | | |
| 046 | GM00002219 | SCREW 2.6X7 KB | | 4 | | | |
| 047 | GM00002511 | LOCK RING | | 1 | | | |
| | | | | | | | |

| | | | | | | |
|-----|------------|---------------------------|--|---|--|--|
| 048 | GM00002516 | ON/OFF SWITCH | | 1 | | |
| 049 | GM00002515 | ON/OFF SWITCH SUPPORT | | 1 | | |
| 050 | GM00002514 | SPRING | | 1 | | |
| 051 | GM00002512 | ON/OFF SWITCH PCBA | | 1 | | |
| 052 | GM00001322 | SCREW 2.6X8 PB | | 2 | | |
| 053 | GM00002510 | NEEDLE COVER | | 1 | | |
| 054 | GM00002570 | NEEDLE C | | 1 | | |
| 055 | GM00002569 | SPRING | | 1 | | |
| 056 | GM00001012 | VIS 3X12 | | 7 | | |
| 057 | GM00002549 | HOUSING ASSY | | 1 | | |
| 058 | GM00002502 | O RING | | 1 | | |
| 059 | GM00002548 | BATTERY HOLDER ASSY | | 1 | | |
| 060 | GM00002550 | MAIN PCBA ASSY | | 1 | | |
| 061 | GM00002549 | HOUSING ASSY | | 1 | | |
| 062 | GM00002231 | STRAP HOOK | | 1 | | |
| 063 | GM00002508 | MODE SWITCH COVER | | 1 | | |
| 064 | GM00002507 | MODE SWITCH HOLDER | | 1 | | |
| 065 | GM00002505 | MODE SWITCH PCBA ASSY | | 1 | | |
| 066 | GM00002553 | HOLDER HOOK ASSY | | 1 | | |
| 067 | GM00002565 | SCREW 3 X 15 PM | | 3 | | |
| 068 | GM00001332 | VIS 3 X 8 PB | | 1 | | |
| 069 | GM00002556 | SPRING CLIP A | | 1 | | |
| 070 | GM00002554 | PIN D | | 1 | | |
| 071 | GM00002555 | SPRING CLIP B | | 1 | | |
| 072 | GM00002557 | HOLDER CUSHION | | 1 | | |
| 073 | GM00002566 | SCREW 3 X 6 PB | | 4 | | |
| 074 | GM00002558 | ALUMINUM INNER COVER | | 1 | | |
| 075 | GM00002566 | SCREW 3 X 6 PB | | 2 | | |
| 076 | GM00002559 | ALUMINUM INNER COVER PLUG | | 1 | | |
| 077 | GM00002560 | ALUMINUM OUTER COVER PLUG | | 1 | | |
| 078 | GM00002566 | SCREW 3 X 6 PB | | 2 | | |
| 079 | GM00002562 | CLAMP ASSY | | 2 | | |
| 080 | GM00002564 | SILICON TUBE | | 1 | | |
| 081 | GM00002561 | TENSION SPRING | | 1 | | |
| 082 | GM00002563 | ALUMINUM OUTER COVER | | 1 | | |
| 083 | GM00002566 | SCREW 3 X 6 PB | | 2 | | |
| 084 | GM00002560 | ALUMINUM OUTER COVER PLUG | | 1 | | |
| 085 | GM00002559 | ALUMINUM INNER COVER PLUG | | 1 | | |
| 086 | GM00002566 | SCREW 3 X 6 PB | | 2 | | |
| 087 | GM00002558 | ALUMINUM INNER COVER | | 1 | | |
| 088 | GM00002566 | SCREW 3 X 6 PB | | 4 | | |
| 089 | GM00002557 | HOLDER CUSHION | | 1 | | |
| 090 | GM00002555 | SPRING CLIP B | | 1 | | |
| 091 | GM00002554 | PIN D | | 1 | | |
| 092 | GM00002556 | SPRING CLIP A | | 1 | | |
| 093 | GM00001332 | VIS 3 X 8 PB | | 1 | | |
| 094 | GM00002565 | SCREW 3 X 15 PM | | 3 | | |
| 095 | GM00002553 | HOLDER HOOK ASSY | | 1 | | |
| A01 | GM00002544 | HAND STRAP | | 1 | | |

Veuillez indiquer les pièces n ° lorsque votre commande.

Date d'impression 03/25/2024