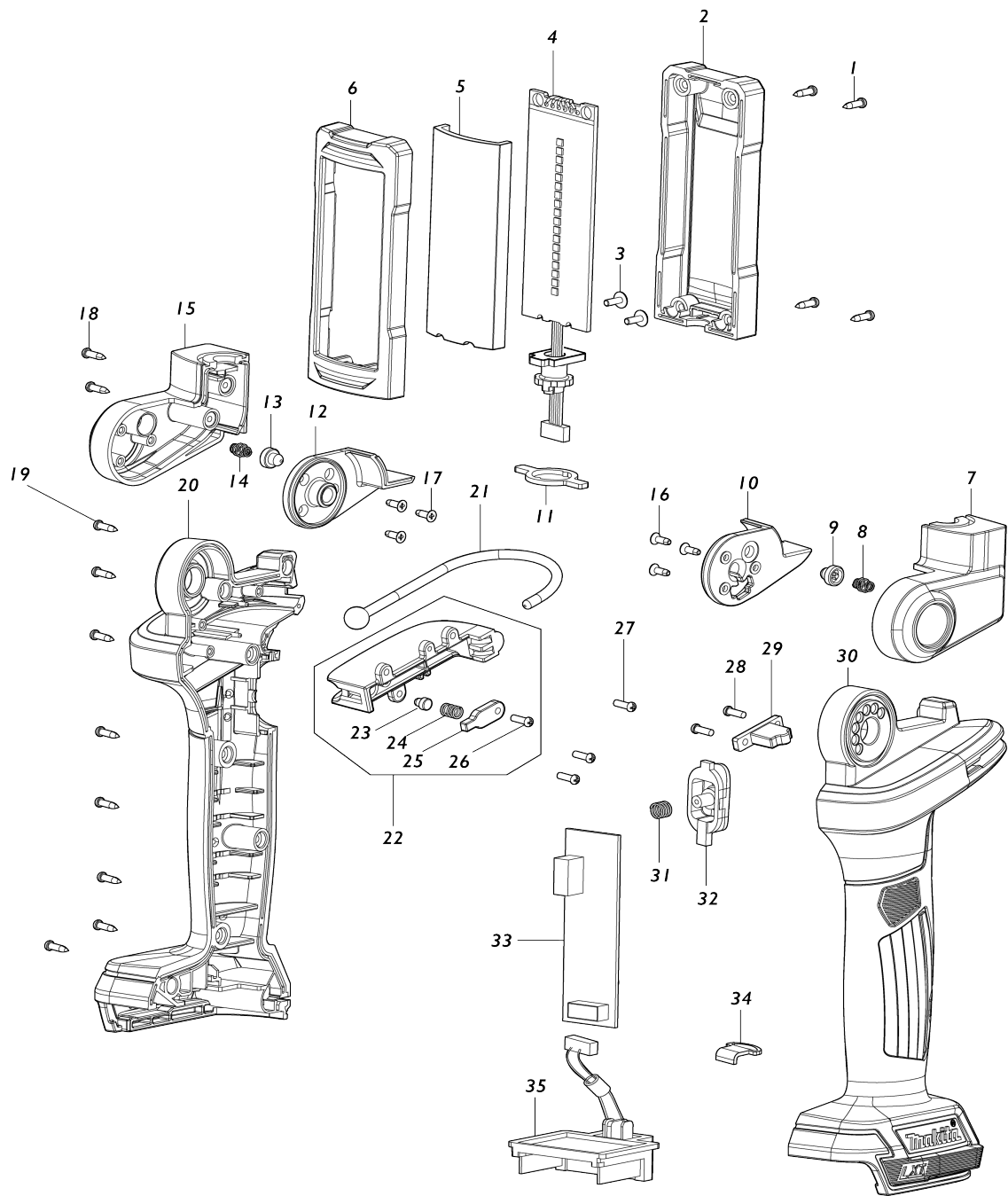


Model No.DML816 CORDLESS FLASHLIGHT



Model No.DML816 CORDLESS FLASHLIGHT

Numéro d'article	N ° de pièces	Description	Interchangeabilité	Q'ty	Nouvelle / ancienne	Note 1	Note 2
001	GM00001269	SCREW 3X12PB(B0130120202)		4			
002	GM00002324	REAR CASE		1			
003	GM00001267	SCREW 2.6X8PWB(B0126080006)		2			
004	GM00002349	LED ASSY		1			
005	GM00002322	LENS		1			
006	GM00002321	FRONT CASE		1			
007	GM00002325	LEFT ROTATOR		1			
008	GM00001270	SPRING (B1214801020)		1			
009	GM00001279	SPRING LID (C1020801001)		1			
010	GM00002326	LEFT ROTATOR BRACKET		1			
011	GM00001282	FIX PLATE (C3020801001)		1			
012	GM00002327	RIGHT ROTATOR BRACKET		1			
013	GM00001279	SPRING LID (C1020801001)		1			
014	GM00001270	SPRING (B1214801020)		1			
015	GM00002328	RIGHT ROTATOR		1			
016	GM00001268	SCREW 2.6X10KA(B0126100121)		3			
017	GM00001268	SCREW 2.6X10KA(B0126100121)		3			
018	GM00001269	SCREW 3X12PB(B0130120202)		2			
019	GM00001269	SCREW 3X12PB(B0130120202)		8			
020	GM00002336	HOUSING ASSY		1			
D10		INC. 30					
021	GM00002331	HANGING HOOK ASSY		1			
022	GM00002330	HOOK COVER ASSY		1			
D10		INC. 23-26					
023	GM00002339	LOCKING SHAFT		1			
024	GM00002340	SPRING		1			
025	GM00002341	COVER		1			
026	GM00001322	SCREW 2.6X8 PB		1			
027	GM00001322	SCREW 2.6X8 PB		3			
028	GM00001322	SCREW 2.6X8 PB		2			
029	GM00002332	HOOK SUPPORT		1			
030	GM00002336	HOUSING ASSY		1			
D10		INC. 20					
031	GM00002249	SWITCH SPRING		1			
032	GM00002333	SWITCH ASSY		1			
033	GM00002337	MAIN PCBA ASSY		1			
034	GM00002231	STRAP HOOK		1			
035	GM00002338	TERMINAL ASSY		1			
A01	GM00001288	SHOULDER HOOK SET G0180100100		1			
A02	GM00001326	LAMP SHADE		1			

Veuillez indiquer les pièces n ° lorsque votre commande.

Date d'impression 06/06/2024