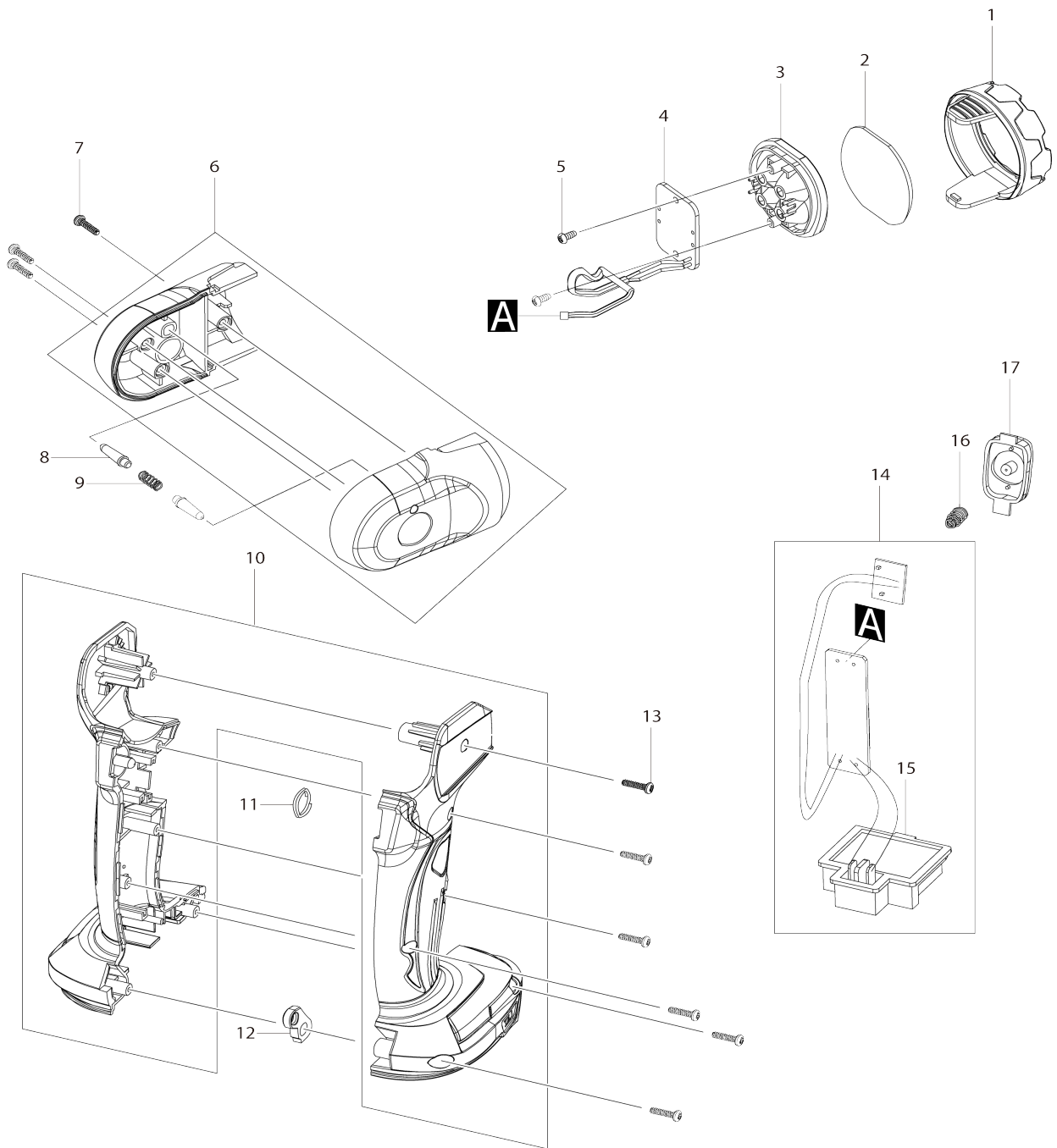


Model No.DML815 CORDLESS FLASHLIGHT



Model No.DML815 CORDLESS FLASHLIGHT

Numéro d'article	N ° de pièces	Description	Interchangeabilité	Q'ty	Nouvelle / ancienne	Note 1	Note 2
001	GM00001299	BEZEL(C1720802002)		1			
002	GM00001298	LENS(C1720802001)		1			
003	GM00002074	REFLECTOR		1			
004	GM00002075	LED PCBA ASSY		1	*		
004-1	GM00002243	LED PCBA ASSY (CE)	X	1			
005	GM00001332	VIS 3 X 8 PB		2			
006	GM00002076	HEAD HOUSING ASSY		1			
007	GM00001333	VIS 3 X 12 PWB		3			
008	GM00001295	LOCKING SHAFT(C4120802001)		2			
009	GM00001294	COMPRESSION SPRING(B1303802921)		1			
010	GM00001303	HOUSING L/R(G0180200400)		1			
011	GM00001292	RING (B3103184009)		1			
012	GM00001290	HOOK PLATE(B2804802921)		1	*		
012-1	GM00002285	HOOK PLATE	O	1			
013	GM00001333	VIS 3 X 12 PWB		6			
014	GM00002078	MAIN PCBA ASSY		1			
D10		INC. 15					
015	GM00001117	BATTERY HOLDER C2010239007		1			
016	GM00002077	SPRING		1			
017	GM00001291	SWITCH COVER(G0180200200)		1			
A01	GM00001289	HOOK BAND SET(G0180200100)		1			

Veuillez indiquer les pièces n ° lorsque votre commande.

Date d'impression 06/06/2024