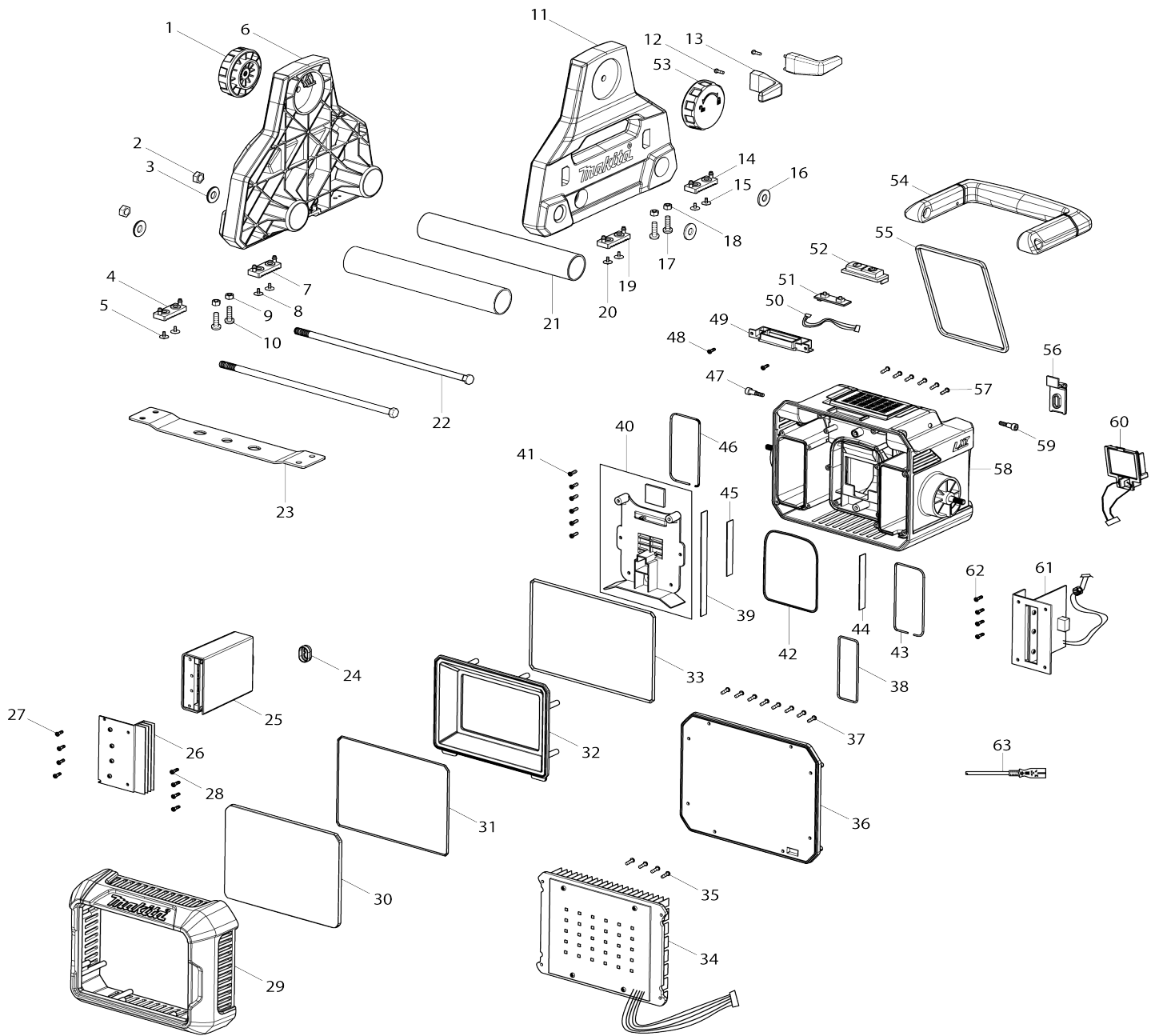


Model No.DML811 CORDLESS WORKLIGHT



Model No.DML811 CORDLESS WORKLIGHT

Numéro d'article	N ° de pièces	Description	Interchangeabilité	Qty	Nouvelle / ancienne	Note 1	Note 2
001	GM00002160	LATCH KNOB ASSY		1			
002	GM00002158	NUT M8		2			
003	GM00002157	METAL OD20XID8.5X2MM		2			
004	GM00002154	RUBBER FOOT		1	*		
004-1	GM00002572	RUBBER FOOT	O	1			
005	GM00002164	SCREW 3X6 PWB		2			
006	GM00002162	STAND LEFT ASSY		1			
007	GM00002154	RUBBER FOOT		1	*		
007-1	GM00002572	RUBBER FOOT	O	1			
008	GM00002164	SCREW 3X6 PWB		2			
009	GM00002155	NUT M5		2			
010	GM00002156	SCREW 5X15 PM		2			
011	GM00002161	STAND RIGHT ASSY		1			
012	GM00002165	SCREW 3X18 PT		2			
013	GM00002159	AC POWER CORD HOOKS		2			
014	GM00002154	RUBBER FOOT		1	*		
014-1	GM00002572	RUBBER FOOT	O	1			
015	GM00002164	SCREW 3X6 PWB		2			
016	GM00002157	METAL OD20XID8.5X2MM		2			
017	GM00002156	SCREW 5X15 PM		2			
018	GM00002155	NUT M5		2			
019	GM00002154	RUBBER FOOT		1	*		
019-1	GM00002572	RUBBER FOOT	O	1			
020	GM00002164	SCREW 3X6 PWB		2			
021	GM00002153	STAND HOLDING TUBE		2			
022	GM00002152	METAL M8 BOLT		2			
023	GM00002151	BASE HOLDING PLATE		1			
024	GM00002150	AC SOCKET HOLDER O-RING		1			
025	GM00002148	EU AC POWER ASSY		1			
026	GM00002145	AC POWER HEAT SINK ASSY		1			
027	GM00002149	SCREW 3X14 PB NI		4			
028	GM00002165	SCREW 3X18 PT		4			
029	GM00002114	FRONT COVER ASSY		1			
030	GM00002115	LENS ASSY		1			
031	GM00002116	LENS O-RING		1			
032	GM00002117	REFLECTOR ASSY		1			
033	GM00002118	RUBBER HEAT SINK O-RING A		1			
034	GM00002119	LED PCBA ASSY		1			
035	GM00002165	SCREW 3X18 PT		4			
036	GM00002120	MID-BODY COVER		1			
037	GM00002165	SCREW 3X18 PT		8			
038	GM00002133	MID-BODY O-RING		1			
039	GM00002166	EVA-B		1			
040	GM00002130	TERMINAL HOLDING PLATE ASSY		1			
041	GM00002165	SCREW 3X18 PT		6			
042	GM00002131	TERMINAL HOLDING PLATE O-RING		1			
043	GM00002132	MID-BODY O-RING		1			

044	GM00002134	EVA-B		1			
045	GM00002134	EVA-B		1			
046	GM00002132	MID-BODY O-RING		1			
047	GM00002137	INSIDE-HEX SCREW		1			
048	GM00002163	SCREW 3X14 PB NI		2	*		
048-1	GM00002149	SCREW 3X14 PB NI	O	2			
049	GM00002138	SWITCH HOLDER		1			
050	GM00002139	4P WAFER		1			
051	GM00002140	SWITCH PCBA ASSY		1			
052	GM00002141	SWITCH ASSY		1			
053	GM00002160	LATCH KNOB ASSY		1			
054	GM00002144	HANDLE ASSY		1			
055	GM00002143	LATCH O-RING		1			
056	GM00002142	AC SOCKET O-RING		1			
057	GM00002165	SCREW 3X18 PT		6			
058	GM00002136	MID-BODY ASSY		1			
059	GM00002137	INSIDE-HEX SCREW		1			
060	GM00002135	BATTERY HOLDER ASSY		1			
061	GM00002121	MAIN PCBA ASSY		1			
062	GM00002165	SCREW 3X18 PT		4			
063	GM00002127	VDE AC POWER CORD		1			
F01	GM00002378	TRIPOD		1			
F04	GM00002287	LAMP SHADE		1			
F05	GM00002379	FLAT BAR		1			

Veuillez indiquer les pièces n ° lorsque votre commande.

Date d'impression 10/13/2025