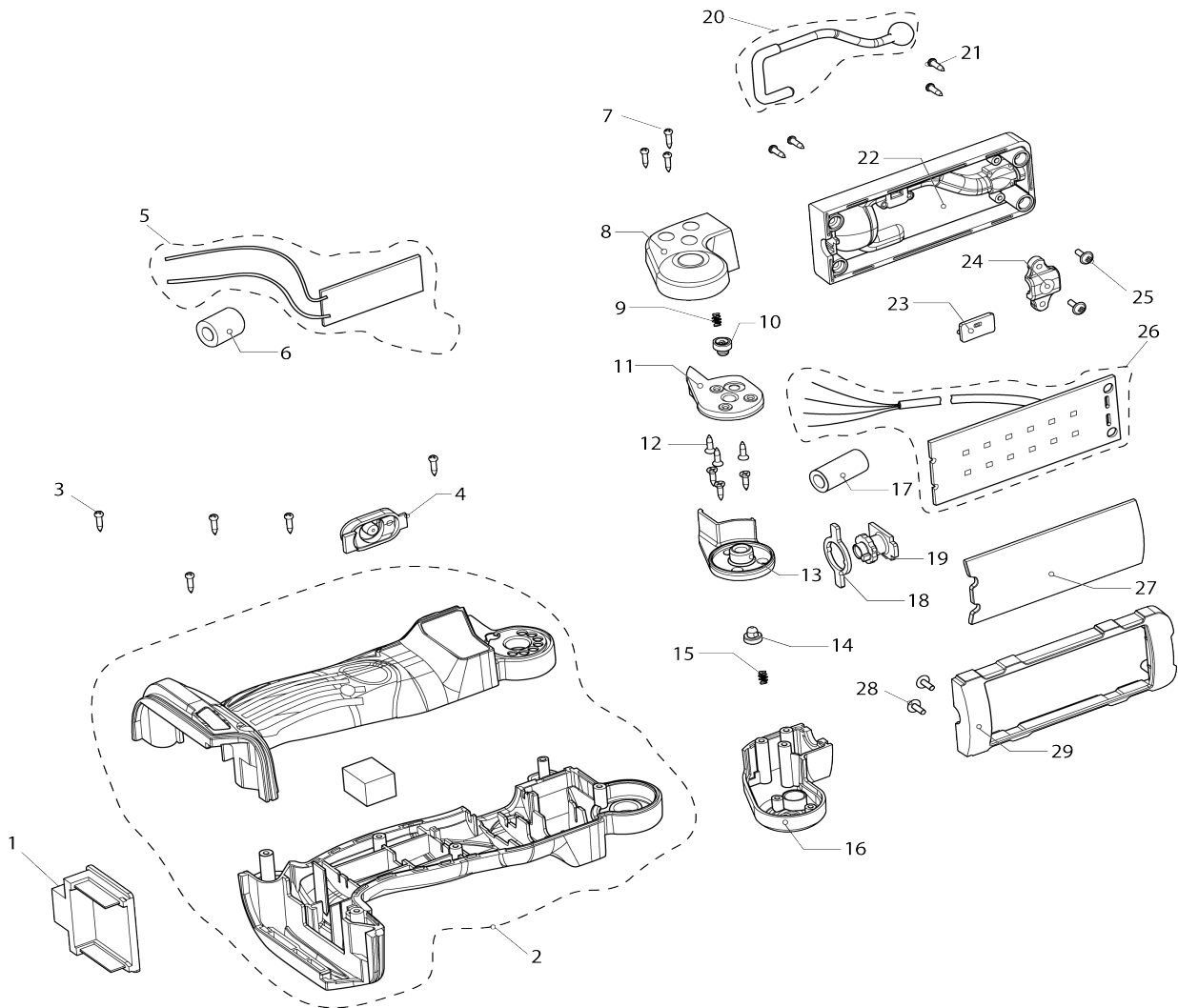


Model No.DML801 LED FLASHLIGHT



Model No.DML801 LED FLASHLIGHT

Numéro d'article	N ° de pièces	Description	Interchangeabilité	Q'ty	Nouvelle / ancienne	Prix de vente (€)	Prix d'achat(€)	Note 1	Note 2
001	GM00001117	BATTERY HOLDER C2010239007		1					
002	GM00001287	HOUSING R/L(G0180100105)		1					
003A	GM00001269	SCREW 3X12PB(B0130120202)		1	*				
003-1 A	GM00001269	SCREW 3X12PB(B0130120202)	<	5					
003-1 B	GM00001269	SCREW 3X12PB(B0130120202)		5					
004	GM00001285	SUPPORT D'INTERR.		1					
005	GM00001286	CIRCUIT CPL		1					
006	GM00001266	MAGNET RING(B)(A2301005900)		1					
007	GM00001269	SCREW 3X12PB(B0130120202)		3					
008	GM00001273	LEFT ROTATOR (C0120801005)		1					
009	GM00001270	SPRING (B1214801020)		1					
010	GM00001279	SPRING LID (C1020801001)		1					
011	GM00001271	ROTATOR BRACKET L(C0120801003)		1					
012	GM00001268	SCREW 2.6X10KA(B0126100121)		6					
013	GM00001272	ROTATOR BRACKET R(C0120801004)		1					
014	GM00001279	SPRING LID (C1020801001)		1					
015	GM00001270	SPRING (B1214801020)		1					
016	GM00001274	RIGHT ROTATOR (C0120801006)		1					
017	GM00001265	MAGNET RING(A)(A2301005800)		1					
018	GM00001282	FIX PLATE (C3020801001)		1					
019	GM00001280	AXE ROTATIF		1					
020	GM00001283	HOOK ASSY (G0180100101)		1					
021	GM00001269	SCREW 3X12PB(B0130120202)		4					
022	GM00001276	REAR CASE HEAD (C0120801008)		1					
023	GM00001278	HOOK LATCH COVER(C0120801010)		1					
024	GM00001277	HOOK HOLDER (C0120801009)		1					
025	GM00001267	SCREW 2.6X8PWB(B0126080006)		2					
026	GM00001284	CIRCUIT LED CPL		1					
027	GM00001281	LENS (C1020801003)		1					
028	GM00001267	SCREW 2.6X8PWB(B0126080006)		2					
029	GM00001275	FRONT CASE HEAD(C0120801007)		1					
A01A	GM00001288	SHOULDER HOOK SET G0180100100		1					
A01B	GM00001288	SHOULDER HOOK SET G0180100100		1					

Veuillez indiquer les pièces n ° lorsque votre commande.

Date d'impression 03/04/2025