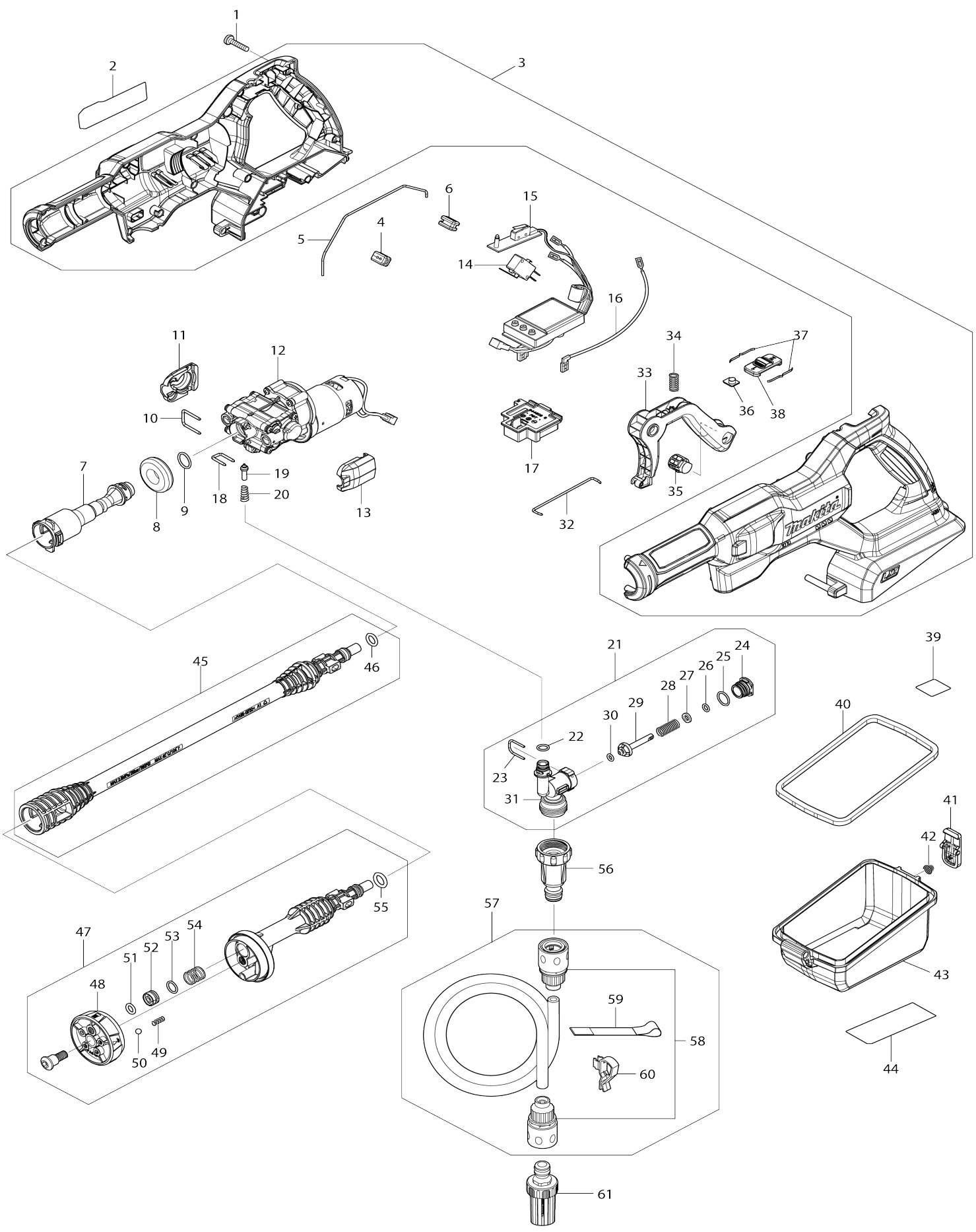


Model No.DHW180 CORDLESS PRESSURE WASHER



Model No.DHW180 CORDLESS PRESSURE WASHER

Numéro d'article	N ° de pièces	Description	Interchangeabilité	Q'ty	Nouvelle / ancienne	Note 1	Note 2
001	LX00000005	TAPPING SCREW ST3X12		15			
002	LX00000006	NAME PLATE EU		1			
003	LX00000071	HOUSING SET		1	*		
C10	263005-3	Cheville caoutchouc 6		2	*		
003-1	LX00000088	HOUSING SET	O	1			
C10	263005-3	Cheville caoutchouc 6		2			
004	LX00000008	WIRE GROMMET 2 HOLES		1			
005	LX00000009	ROUND SEAL 2X200		1			
006	LX00000010	WIRE GROMMET 4 HOLES		1			
007	LX00000072	OUTLET PIPE COMP.		1			
008	LX00000011	SILICONE RING 17		1			
009	LX00000012	O-RING 15.5X2		1			
010	LX00000013	U TYPE PIN 2.5X18.5		1			
011	LX00000014	PUMP MOUNT PAD		1			
012	LX00000015	MOTOR & PUMP ASSY		1			
C10	LX00000016	MOTOR WITH PINION GRAR COMP.		1	*		
C11	LX00000016	MOTOR WITH PINION GRAR COMP.	O	1			
C20	LX00000017	PAN HEAD SCREW M4X12		2			
013	LX00000014	PUMP MOUNT PAD		1			
014	LX00000018	SWITCH		1			
015	LX00000019	CONTROLLER UNIT		1	*		
015-1	LX00000089	CONTROLLER UNIT	<	1			
016	LX00000020	LEAD UNIT 18AWG 210MM RED		1			
017	644809-6	Borne		1			
018	LX00000021	U TYPE PIN 2.5X11.5		1			
019	LX00000022	VALVE		1			
020	LX00000023	CONICAL SPRING 7-9X20 INOX		1			
021	LX00000073	INLET VALVE SET		1			
021		INC. 22-31					
022	LX00000024	O-RING 8.6X1.7		1			
023	LX00000025	U TYPE PIN 2X16		1			
024	LX00000026	INLET VALVE PLUG		1			
025	LX00000027	O-RING 12		1			
026	LX00000028	O-RING 5.3		1			
027	LX00000029	PLASTIC WASHER 6		1			
028	LX00000030	COMPRESSION SPRING8.5X39 INOX		1			
029	LX00000031	INLET VALVE STEM		1			
030	LX00000032	O-RING 4.5		1			
031	LX00000033	INLET VALVE BODY		1			
032	LX00000034	LINK ROD		1			
033	LX00000035	TRIGGER		1			
034	LX00000036	COMPRESSION SPRING7.5X25 INOX		1			
035	LX00000037	TRIGGER LOCK		1			
036	LX00000038	INDICATOR LAMP LENS		1			
037	LX00000039	LEAF SPRING INOX		2			

038	LX00000040	SPEED CHANGE LEVER		1		
039	LX00000041	SERIAL NUMBER LABEL		1		
040	LX00000043	BATTERY CASE SEAL RING		1		
041	LX00000044	BATTERY CASE LATCH		1		
042	LX00000045	CONICAL SPRING 5-10X6.3 INOX		1		
043	LX00000046	BATTERY CASE		1		
044	LX00000047	WARNING LABEL		1		
045	LX00000049	EXTENSION PIPE 350MM ASSY		1		
045		INC. 46				
046	LX00000076	O-RING 9.5X2.65		1		
047	LX00000050	5 PATTERNS SPLAYER NOZZLE AS SY		1		
047		INC. 48-55				
048	LX00000077	5 PATTERNS SPLAYER NOZZLE		1		
049	LX00000051	COMPRESSION SPRING5.2X12 IN OX		1		
050	LX00000052	STEEL BALL 7/32"		1		
051	LX00000053	O-RING 7.5X2.5		1		
052	LX00000078	PLASTIC SLEEVE 6		1		
053	LX00000054	O-RING 10.5X1.8		1		
054	LX00000055	COMPRESSION SPRING 14X15 IN OX		1		
055	LX00000076	O-RING 9.5X2.65		1		
056	LX00000056	FILTER ASSY		1		
057	LX00000079	HOSE ASSY 8MMX6M(5/16"X19.7 FT)		1		
057		INC. 58-60				
058	LX00000057	HOSE END CONNECTOR 8MM(5/ 16")		2		
059	LX00000058	HOSE BAND		1		
060	LX00000059	HOSE CLIP		1		
061	LX00000060	STRAINER ASSY		1		
A01	LX00000063	CLEANER PIN 0.6		1		
F01	LX00000002	ANGLE NOZZLE		1		
F02	LX00000003	BRUSH		1		
F03	LX00000001	FOAM NOZZLE		1		
F04	LX00000004	WATER BOTTLE ADAPTER		1		

Veuillez indiquer les pièces n ° lorsque votre commande.

Date d'impression 12/23/2025