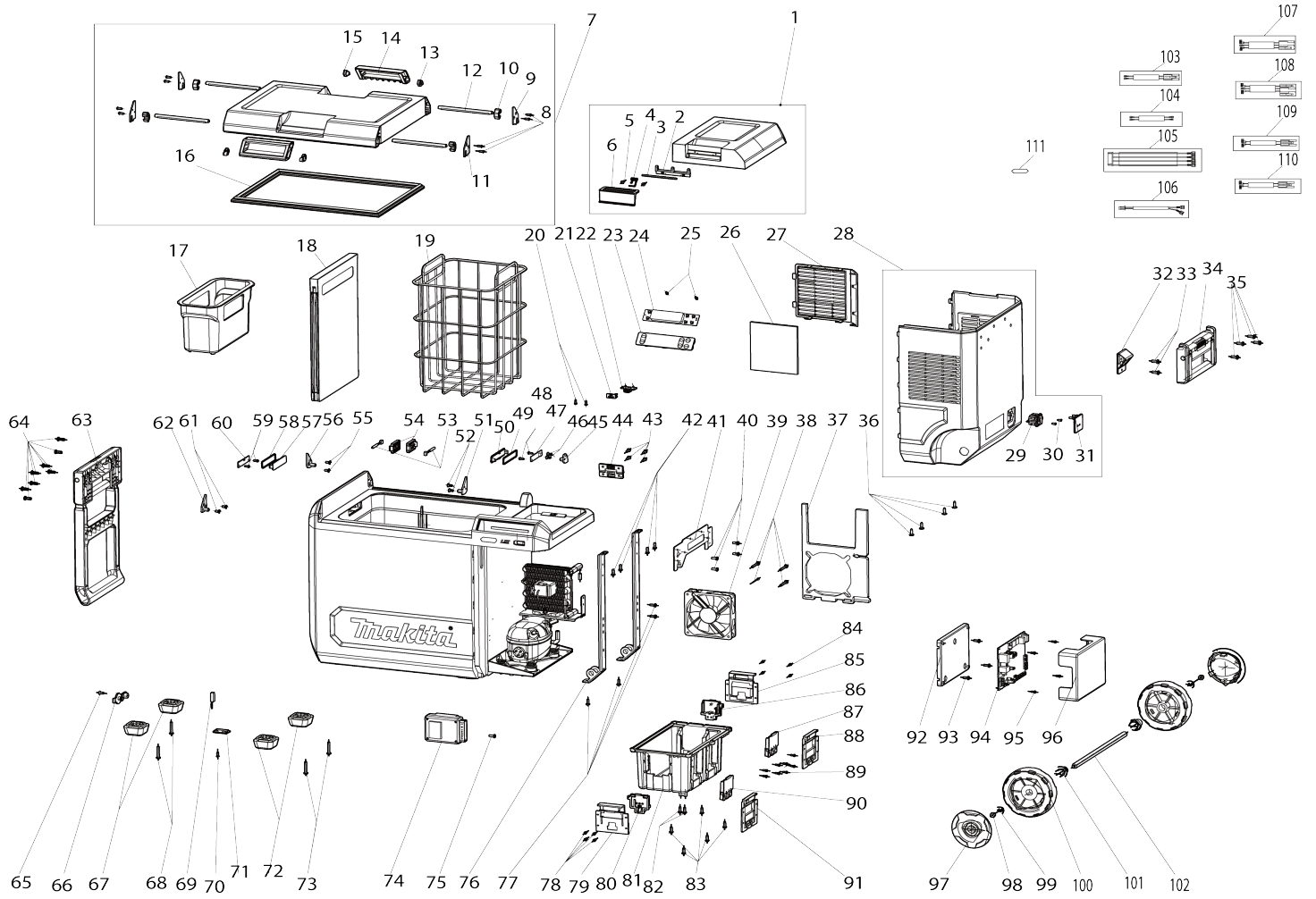


Model No.CW004G CORDLESS COOLER & WARMER BOX



Model No.CW004G CORDLESS COOLER & WARMER BOX

Numéro d'article	N ° de pièces	Description	Interchangeabilité	Q'ty	Nouvelle / ancienne	Note 1	Note 2
001	CE00000094	BATTERY COVER		1			
001		INC. 2-6					
002	CE00000023	LATCH HOLDER		1			
003	CE00000089	SHAFT		1			
004	CE00000090	TORSION SPRING		1			
005	CE00000058	TAPPING SCREWS ST3.5X9.5		2			
006	CE00000022	LATCH		1			
007	CE00000091	TOP COVER (BLUE)		1	*		
C10	CE00000107	CAUTION LABEL		1	*		
007		INC. 8-16			*		
007-1	CE00000137	TOP COVER (BLUE)	<	1			
C10	CE00000107	CAUTION LABEL		1			
007-1		INC. 8-16					
008	CE00000056	TAPPING SCREWS ST3.5X13		8			
009	CE00000082	SHAFT PLATE A		2			
010	CE00000016	BUCKLE		4			
011	CE00000083	SHAFT PLATE B		2			
012	CE00000081	SHAFT		4	*		
012-1	CE00000143	SHAFT	O	4			
013	CE00000017	KNOB COVER A		2			
014	CE00000015	KNOB		2			
015	CE00000018	KNOB COVER B		2			
016	CE00000075	SEALING		1			
017	CE00000009	TRAY		1			
018	CE00000093	PARTITION		1			
019	CE00000008	BASKET		1			
020	CE00000061	TAPPING SCREWS ST2.9X9.5		2			
021	CE00000078	USB COVER		1			
022	CE00000049	USB PCB		1			
023	CE00000027	DISPLAY PANEL		1			
024	CE00000048	DISPLAY CONTROL PANEL		1			
025	CE00000061	TAPPING SCREWS ST2.9X9.5		2			
026	CE00000035	FILTER		1			
027	CE00000019	OUTLET COVER (BLUE)		1			
028	CE00000097	REAR COVER ASSY (BLUE)		1			
028		INC. 29-31					
029	CE00000039	DC IN SOCKET		1			
C10	CE00000100	FUSE		1			
030	CE00000062	TAPPING SCREWS ST2.9X10		2			
031	CE00000080	DC IN SOCKET COVER		1			
032	CE00000012	BOTTLE OPENER		1			
033	CE00000068	PAN HEAD SCREW M5X14		2			
034	CE00000095	SHORT HANDLE ASSEMBLY		1			
035	CE00000070	PAN HEAD SCREW M5X14		4			
036	CE00000065	PAN HEAD SCREW ST4X16		4			
037	CE00000099	SEPARATOR		1	*		
037-1	CE00000148	SEPARATOR	X	1			

038	CE00000066	PAN HEAD SCREW M5X35		4		
039	CE00000054	DC FAN		1		
040	CE00000067	SCREW M4X35		4		
041	CE00000011	HADLE PLATE		1		
042	CE00000060	TAPPING SCREWS ST4.2X16		4		
043	CE00000059	TAPPING SCREWS ST4.2X16		4		
044	CE00000088	HINGE		1		
045	CE00000086	SHAFT PLATE A		1		
046	CE00000071	C.H TAPPING SCREWS 4X8		2		
047	CE00000038	LED PCB		1	*	
047-1	CE00000147	LED PCB	<	1		
048	CE00000061	TAPPING SCREWS ST2.9X9.5		2		
049	CE00000076	SILICON RING		1		
050	CE00000032	LED COVER		1		
051	CE00000085	SHAFT PLATE B		1		
052	CE00000071	C.H TAPPING SCREWS 4X8		2		
053	CE00000055	THERMOSENSOR		2		
054	CE00000033	THERMOSENSOR COVER		2		
055	CE00000071	C.H TAPPING SCREWS 4X8		2		
056	CE00000085	SHAFT PLATE B		1		
057	CE00000032	LED COVER		1		
058	CE00000076	SILICON RING		1		
059	CE00000061	TAPPING SCREWS ST2.9X9.5		2		
060	CE00000038	LED PCB		1	*	
060-1	CE00000147	LED PCB	<	1		
061	CE00000071	C.H TAPPING SCREWS 4X8		2		
062	CE00000084	SHAFT PLATE C		1		
063	CE00000096	LONG HADLE		1		
064	CE00000070	PAN HEAD SCREW M5X14		8		
065	CE00000063	C.H TAPPING SCREWS 4X16		1		
066	CE00000079	DRAIN PLUG		1		
067	CE00000077	FOOT		2		
068	CE00000069	PAN HEAD SCREW M4X30		2		
069	CE00000036	MAGNETIC SWITCH		1		
070	CE00000062	TAPPING SCREWS ST2.9X10		1		
071	CE00000013	MAGNETIC SWITCH COVER (BLUE)		1		
072	CE00000077	FOOT		2		
073	CE00000069	PAN HEAD SCREW M4X30		2		
074	CE00000034	COMPRESSOR PCB		1		
075	CE00000072	PAN HEAD SCREW M4X8		1		
076	CE00000010	COMPRESSOR BRACKET		2	*	
076-1	CE00000144	COMPRESSOR BRACKET	O	2		
077	CE00000067	SCREW M4X35		4		
078	CE00000061	TAPPING SCREWS ST2.9X9.5		4		
079	CE00000025	TERMINAL COVER		1		
080	CE00000053	TERMINAL		1	*	
080-1	CE00000053	TERMINAL	O	1		
081	CE00000024	BATTERY BOX		1		
082	CE00000057	TAPPING SCREWS 4.2X16		2		
083	CE00000060	TAPPING SCREWS ST4.2X16		5		
084	CE00000061	TAPPING SCREWS ST2.9X9.5		4		

085	CE00000025	TERMINAL COVER		1		
086	CE00000053	TERMINAL		1	*	
086-1	CE00000053	TERMINAL	O	1		
087	CE00000037	TERMINAL		1	*	
087-1	CE00000037	TERMINAL	O	1		
088	CE00000026	TERMINAL COVER		1	*	
088-1	CE00000141	TERMINAL COVER	<	1		
089	CE00000061	TAPPING SCREWS ST2.9X9.5		8		
090	CE00000052	TERMINAL		1	*	
090-1	CE00000052	TERMINAL	O	1		
091	CE00000026	TERMINAL COVER		1	*	
091-1	CE00000141	TERMINAL COVER	<	1		
092	CE00000020	CONTROL PCB HOLDER		1		
093	CE00000064	SCREW SUS304 ST4.8X13		3		
094	CE00000127	CONTROL PCB		1	*	
094-1	CE00000150	CONTROL PCB	<	1		
095	CE00000061	TAPPING SCREWS ST2.9X9.5		4		
096	CE00000021	CONTROL PCB COVER		1		
097	CE00000030	WHEEL COVER		2		
098	CE00000073	HEX. LOCK NUT M6		2		
099	CE00000074	FLAT WASHER		2		
100	CE00000029	WHEEL		2		
101	CE00000028	SHAFT SLEEVE		2		
102	CE00000087	WHEEL SHAFT		1	*	
102-1	CE00000142	WHEEL SHAFT	O	1		
103	CE00000047	DC CABLE		1		
104	CE00000042	CONTROL BOARD CONNECTION CABLE		1		
105	CE00000041	MODULE CONNECTION CABLE		1		
106	CE00000040	MAGNETIC CABLE		1		
107	CE00000043	18V DC CONNECTION CABLE 1		1		
108	CE00000044	18V DC CONNECTION CABLE 2		1		
109	CE00000045	36V DC CONNECTION CABLE 1		1		
110	CE00000046	36V DC CONNECTION CABLE 2		1		
111	CE00000105	XGT LOGO LABEL		1		
A01	CE00000110	AC ADAPTOR ASSY C		1	*	
C10	CE00000119	AC POWER CORD C		1	*	
A01-1	CE00000130	AC ADAPTOR SET C	<	1		
C10	CE00000119	AC POWER CORD C		1		
A02	CE00000007	CIGAR SOCKET		1		
A03	A-76956	SHOULDER BELT		1		

Veuillez indiquer les pièces n ° lorsque votre commande.

Date d'impression 01/17/2025