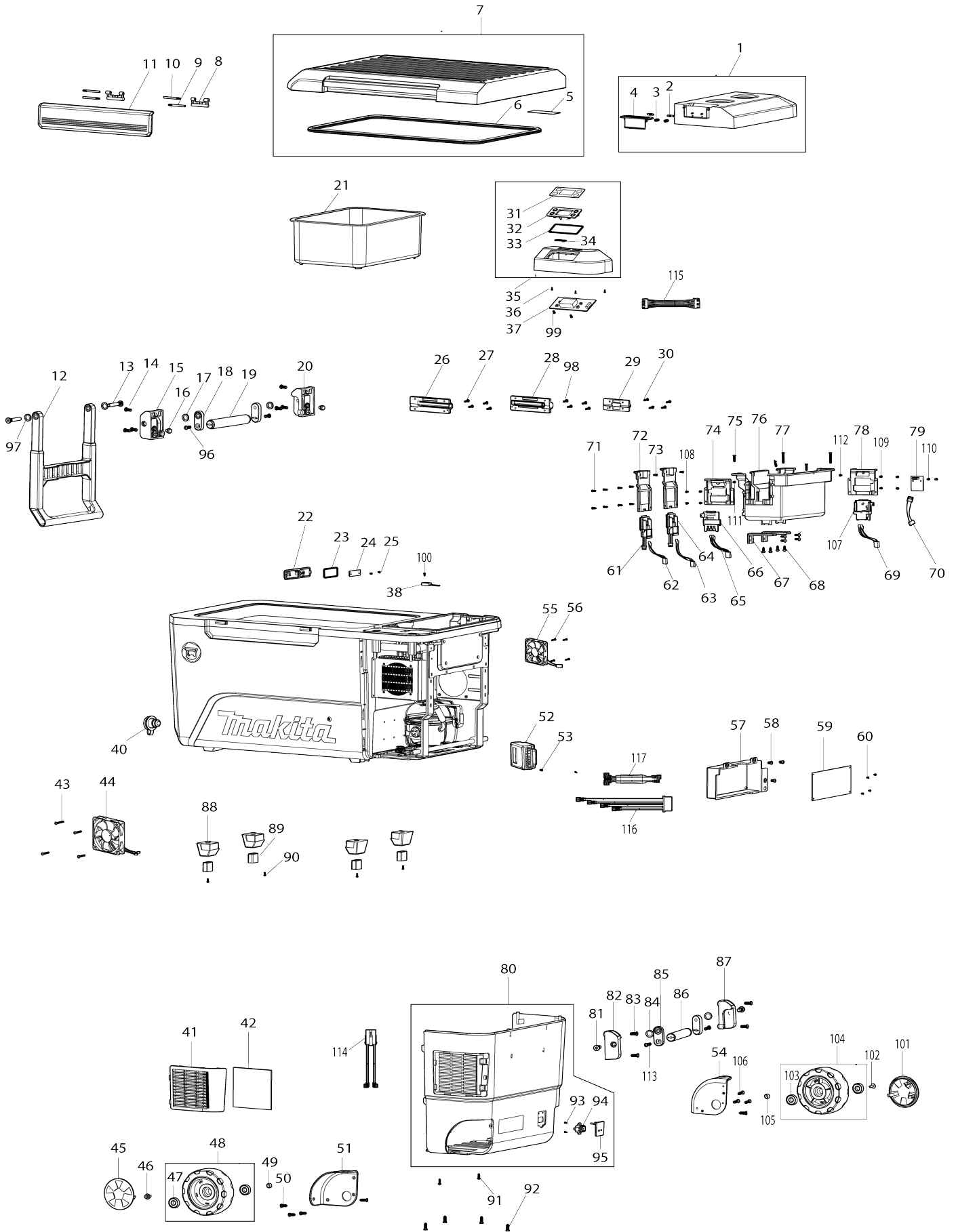


Model No.CW002G CORDLESS COOLER & WARMER BOX



Model No.CW002G CORDLESS COOLER & WARMER BOX

Numéro d'article	N ° de pièces	Description	Intercangeabilité	Q'ty	Nouvelle / ancienne	Note 1	Note 2
001	WL00000237	BATTERY COVER ASSY		1			
D10		INC. 2-4					
002	WL00000090	SHAFT		2			
003	WL00000010	COMPRESSION SPRING 5MM		2			
004	WL00000238	HANDLE		1			
005	WL00000315	CAUTION LABEL		1			
006	WL00000240	SEALING		1			
007	WL00000316	TOP COVER ASSY		1			
D10		INC. 5,6					
008	WL00000242	CONNECTOR		2			
009	WL00000243	SHAFT		2			
010	WL00000244	SHAFT		2			
011	WL00000245	HANDLE		1			
012	WL00000246	DRAG HANDLE		1			
013	WL00000247	DRAG HANDLE SHAFT		2			
014	WL00000248	SCREW M6X16		6			
015	WL00000249	HANDLE BASE L		1			
016	WL00000250	SILICONE		2			
017	WL00000251	SILICONE RING		2			
018	WL00000252	CONNECTOR		2			
019	WL00000253	CARRY HANDLE ASSY		1			
020	WL00000254	HANDLE BASE R		1			
021	WL00000255	SEPARATE BOX		1			
022	WL00000018	THERMOSTAT TOP COVER		1			
023	WL00000019	SEALING C		1			
024	WL00000192	LIGHT BOARD ASSY		1			
025	WL00000017	TAPPING SCREW 3X8		2			
026	WL00000256	HINGE L		1			
027	WL00000257	SCREW 5X25		4			
028	WL00000258	HINGE R		1			
029	WL00000259	HINGE		1			
030	WL00000023	TAPPING SCREW 4X16		4			
031	WL00000072	CONTROL FILM B		1			
032	WL00000093	SWITCH PANEL		1			
033	WL00000013	SEALING B		1			
034	WL00000094	XGT LABEL		1			
035	WL00000330	CONTROL PANEL ASSY		1			
D10		INC. 31-34					
036	WL00000015	TAPPING SCREW 3X10		3			
037	WL00000261	DISPLAY PCB		1			
038	WL00000262	MEGNATIC SWITCH		1			
040	WL00000300	DRAIN COOK		1			
041	WL00000263	DUST PROOF COVER(BLUE)		1			
042	WL00000051	FILTER SPONGE		1			
043	WL00000104	SCREWS M4X30		4			
044	WL00000264	FAN		1			
045	WL00000265	WHEEL COVER		1			

046	WL00000032	SCREW M6X16 WITH WASHER	1			
047	WL00000034	BEARING FOR SHAFT	2			
048	WL00000266	WHEEL ASSY	1			
D10		INC. 47				
049	WL00000433	SHAFT SLEEVE 12MM	1			
050	WL00000052	COUNTERSUNK TAPPING SCREW 4X18	4			
051	WL00000267	LEFT WHEEL COVER(BLUE)	1			
052	WL00000268	COMPRESSOR PCB	1			
053	WL00000269	SCREW M4X8	1			
054	WL00000270	RIGHT WHEEL COVER(BLUE)	1			
055	WL00000432	FAN A WITH CABLE	1			
056	WL00000104	SCREWS M4X30	4			
057	WL00000271	PCB BOX	1			
058	WL00000205	PAN HEAD SCREWS M4X10	3			
059	WL00000272	MAIN PCB	1			
060	WL00000015	TAPPING SCREW 3X10	4			
061	WL00000273	BATTERY TERMINAL	1			
062	WL00000274	LEAD UNIT A	1			
063	WL00000275	LEAD UNIT B	1			
064	WL00000276	BATTERY TERMINAL	1			
065	WL00000277	LEAD UNIT C	1			
066	WL00000099	BATTERY TERMINAL	1			
067	WL00000434	BATTERY BOX BRACKET	2			
068	WL00000044	TAPPING SCREW 4X12	8			
069	WL00000279	LEAD UNIT D	1			
070	WL00000280	LEAD UNIT USB	1			
071	WL00000015	TAPPING SCREW 3X10	8			
072	WL00000281	BATTERY TERMINAL COVER	2			
073	WL00000098	SCREWS ST3X8	2			
074	WL00000282	BATTERY TERMINAL COVER	1			
075	WL00000052	COUNTERSUNK TAPPING SCREW 4X18	3			
076	WL00000283	BATTERY BOX	1			
077	WL00000284	SCREW ST 4X30	2			
078	WL00000101	BATTERY TERMINAL COVER	1			
079	WL00000285	USB PCB	1			
080	WL00000286	REAR COVER ASSY(BLUE)	1			
D10		INC. 93-95				
081	WL00000287	SHAFT	2			
082	WL00000288	HANDLE BASE L	1			
083	WL00000248	SCREW M6X16	4			
084	WL00000251	SILICONE RING	2			
085	WL00000252	CONNECTOR	2			
086	WL00000253	CARRY HANDLE ASSY	1			
087	WL00000289	HANDLE BASE R	1			
088	WL00000290	SILICONE FOOT	4			
089	WL00000291	FOOT PAD	4			
090	WL00000023	TAPPING SCREW 4X16	4			
091	WL00000023	TAPPING SCREW 4X16	2			
092	WL00000052	COUNTERSUNK TAPPING SCREW 4X18	4			

093	WL00000098	SCREWS ST3X8		2		
094	WL00000292	DC IN SOCKET		1		
095	WL00000293	DC IN COVER		1		
096	WL00000248	SCREW M6X16		2		
097	WL00000251	SILICONE RING		2		
098	WL00000257	SCREW 5X25		4		
099	WL00000015	TAPPING SCREW 3X10		2		
100	WL00000015	TAPPING SCREW 3X10		1		
101	WL00000265	WHEEL COVER		1		
102	WL00000032	SCREW M6X16 WITH WASHER		1		
103	WL00000034	BEARING FOR SHAFT		2		
104	WL00000266	WHEEL ASSY		1		
D10		INC. 103				
105	WL00000433	SHAFT SLEEVE 12MM		1		
106	WL00000052	COUNTERSUNK TAPPING SCREW 4X18		4		
107	WL00000099	BATTERY TERMINAL		1		
108	WL00000015	TAPPING SCREW 3X10		4		
109	WL00000015	TAPPING SCREW 3X10		4		
110	WL00000015	TAPPING SCREW 3X10		2		
111	WL00000098	SCREWS ST3X8		1		
112	WL00000098	SCREWS ST3X8		1		
113	WL00000248	SCREW M6X16		2		
114	WL00000234	POWER CONNECTION WIRE		1		
115	WL00000235	DISPLAY PCB WIRE		1		
116	WL00000236	COMPRESSOR PCB WIRE		1		
117	WL00000175	COMPRESSOR INPUT WIRE		1		
A01	WL00000424	AC ADAPTOR ASSY D		1		
C10	WL00000064	AC POWER CORD		1		
A02	WL00000225	CIGAR LIGTER		1		
C10	WL00000056	FUSE		1		

Veuillez indiquer les pièces n ° lorsque votre commande.

Date d'impression 06/12/2024