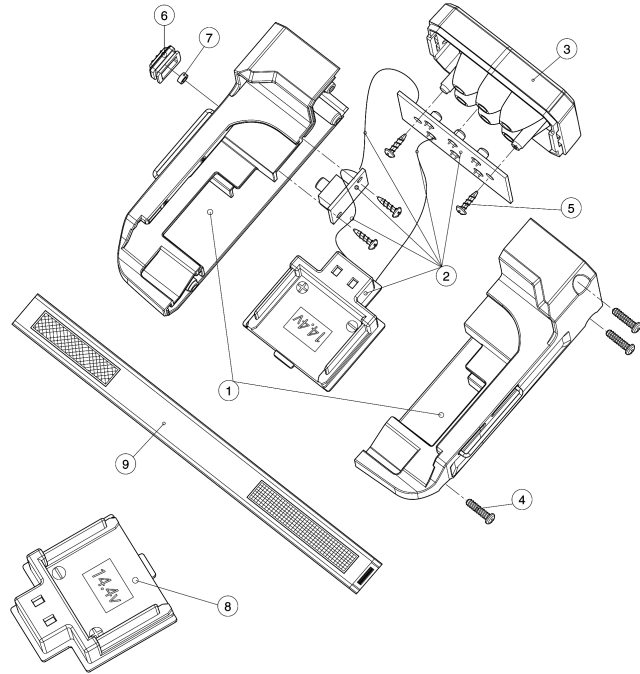


Model No.BML146 L.E.D. FLASH LIGHT



Model No.BML146 L.E.D. FLASH LIGHT

| Item | Parts No. | Description | I/C | Qty | New/Old | Opt. 1 | Opt. 2 | Note |
|-------|------------|--------------------------------|-----|-----|---------|--------|--------|------|
| 001 | GM00001199 | H.BODY ASSY (ROS11469802) | | 1 | | | | |
| 002 | GM00001197 | LED CIRCUIT ASSY (ROS11469801) | | 1 | * | | | |
| 002-1 | GM00001240 | LED CIRCUIT ASSY (ROS11469801) | O | 1 | | | | |
| 003 | GM00001188 | LIGHT HEAD ASSY (ROS11869804) | | 1 | | | | |
| 004 | GM00001189 | SCREW 3X12BB (B0130120712) | | 3 | | | | |
| 005 | GM00001190 | SCREW 2.6X10PWA (B0126100705) | | 4 | | | | |
| 006 | GM00001191 | SWITCH COVER (C9010186006) | | 1 | | | | |
| 007 | GM00001192 | SWITCH COVER RING(C0110186010) | | 1 | | | | |
| 008 | 643828-9 | TERMINAL | | 1 | | | | |
| 009 | GM00001193 | RUBBER BAND (D1101186100) | | 1 | | | | |

Please order the parts with part number.

Print Date 16/9/2020