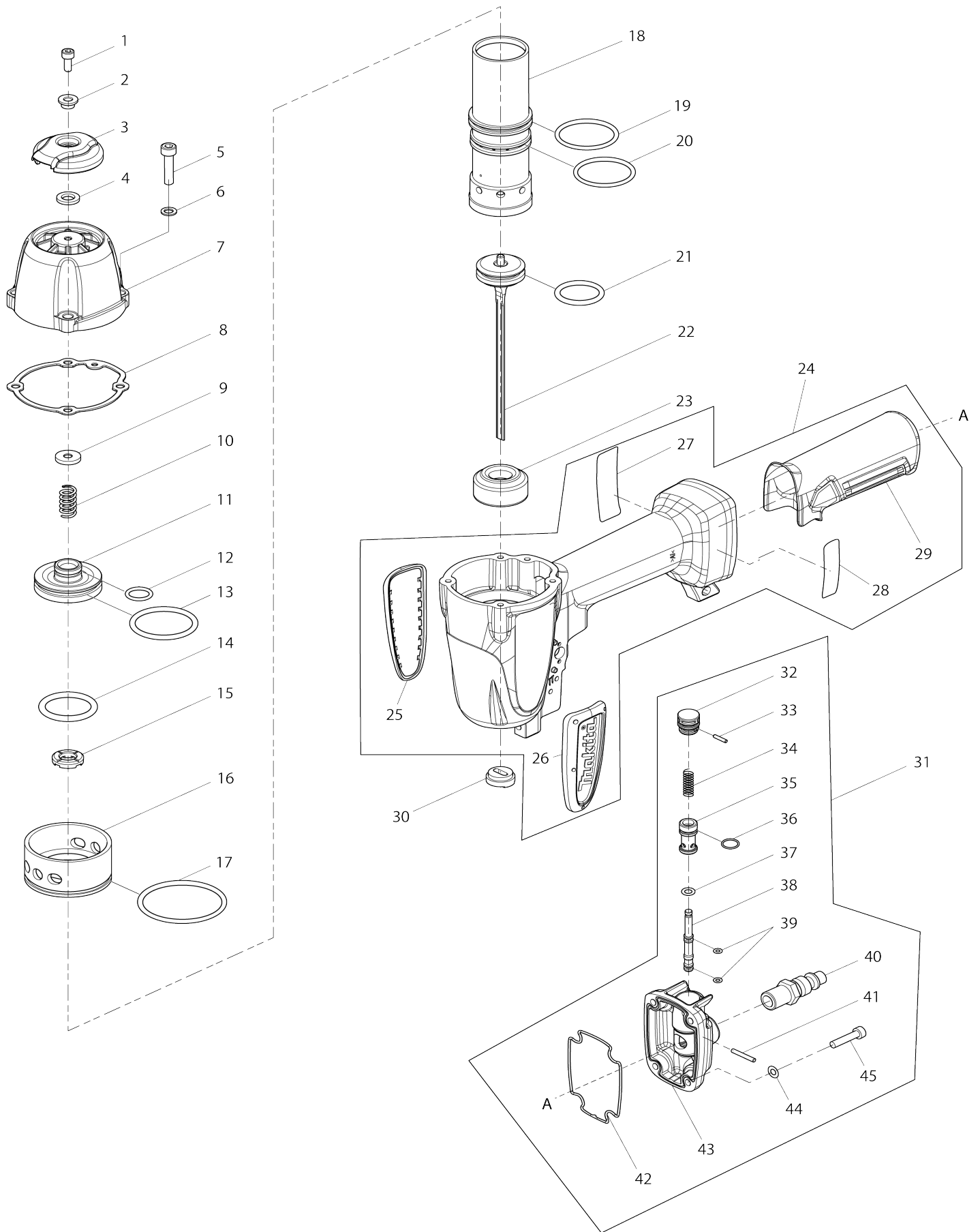
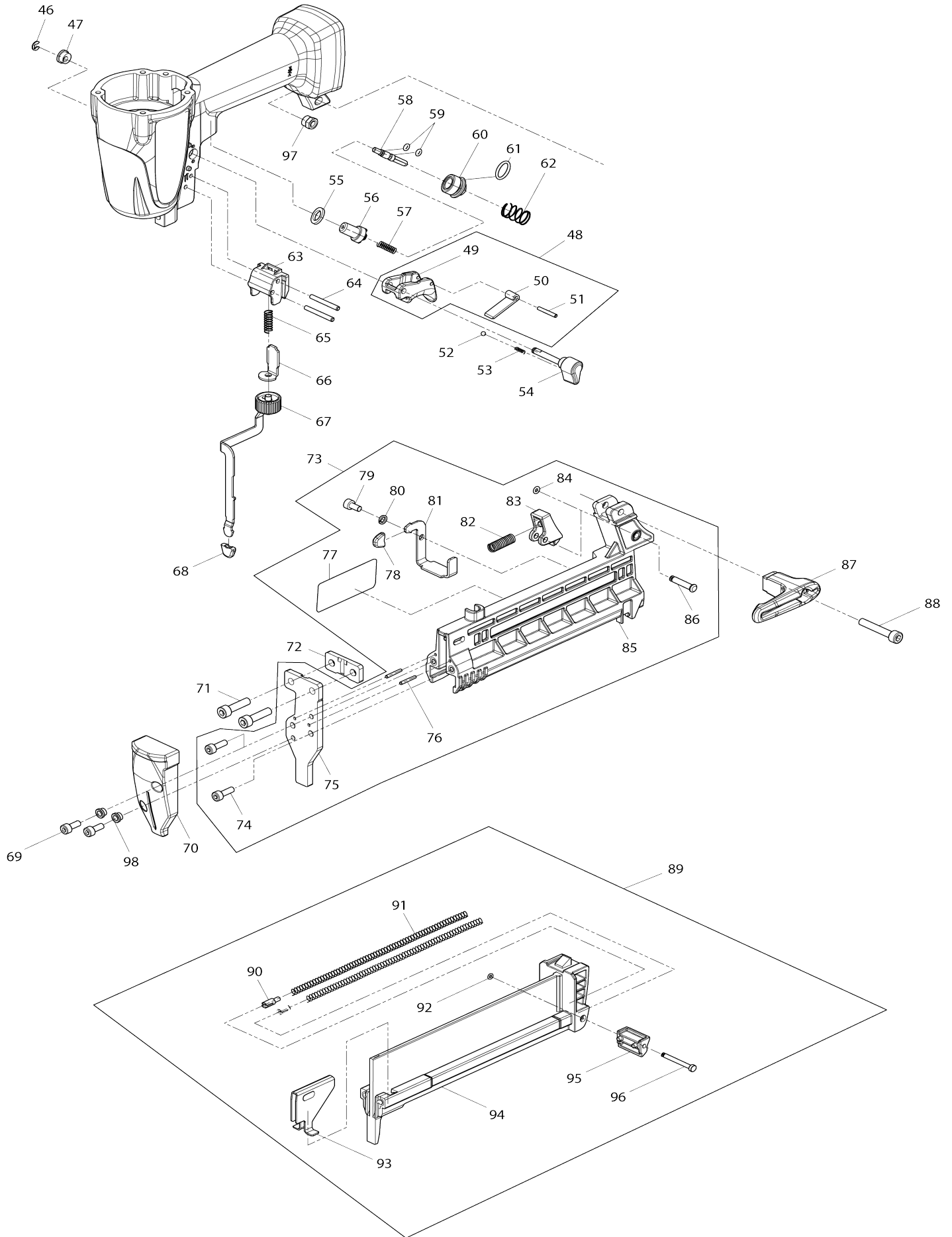


# Model No. AT638A NARROW CROWN STAPER



# Model No.AT638A NARROW CROWN STAPER



Model No.AT638A NARROW CROWN STAPER

Numéro d'article	N ° de pièces	Description	Interchangeabilité	Q'ty	Nouvelle / ancienne	Note 1	Note 2
001	HY00000001	VIS HEX M4X10		1			
002	HY00000002	BAGUE 4		1			
003	HY00000508	EXHAUSTCOVER		1			
004	HY00000004	RONDELLE CAOUTCHOUC		1			
005	HY00000049	VIS HEX M5X22		4			
006	HY00000160	FLAT WASHER 5		4			
007	HY00000511	TOPCAP		1			
008	HY00000509	TOPCAPGASCKET		1			
009	HY00000008	BUTEE V		1			
010	HY00000629	COMPRESSIONSPRING7		1			
011	HY00000507	HEADVALVE		1			
012	HY00000010	O-RING 12		1			
013	HY00000011	O-RING 33		1			
014	HY00000408	ORING26.5		1			
015	HY00000014	BUTEE P		1			
016	HY00000510	CYLINDERSEPARATER		1			
017	HY00000016	O-RING 46		1			
018	HY00000512	CYLINDER		1			
019	HY00000021	O-RING 31		1			
020	HY00000409	ORING30.5		1			
021	HY00000400	ORING22.5		1			
022	HY00000551	DRIVERCOMPLETE		1			
023	HY00000546	FRONTCUSHION		1			
024	HY00000563	HOUSINGCOMPLETE		1			
024		INC. 25-29					
025	HY00000429	HOUSINGBUMPERR		1			
026	HY00000428	HOUSINGBUMPERL		1			
027	HY00000664	NAMEPLATE		1			
028	HY00000105	CAUTION LABEL		1			
029	HY00000558	GRIP		1			
030	HY00000023	OBTURATEUR		1			
031	HY00000494	AIRDUSTERCOMPLETE		1			
031		INC. 32-45					
032	HY00000573	DUSTERBUTTON		1			
033	HY00000046	AXE 2		1			
034	HY00000589	COMPRESSIONSPRING5		1			
035	HY00000599	VALVEGUIDE		1			
036	HY00000399	ORING8.5		1			
037	HY00000397	ORING5		1			
038	HY00000513	VALVESTEM		1			
039	HY00000037	O-RING 3		2			
040	HY00000080	RACCORD RAPIDE MUK		1			
041	HY00000054	AXE 2.5-18		1			
042	HY00000580	SEALRING		1			
043	HY00000499	INLETCAP		1			
044	HY00000070	RONDELLE		4			
045	HY00000650	HEX.SOCKETHEADBOLTM4X20		4			

046	HY00000659	STOP RING E-3		1		
047	HY00000521	SLEEVE4		1		
048	HY00000433	TRIGGERCOMPLETE		1		
048		INC. 49-51				
049	HY00000436	TRIGGER		1		
050	HY00000816	IDLER		1		
051	HY00000053	AXE 2.5-16		1		
052	HY00000526	STEELBALL3		1		
053	HY00000590	COMPRESSIONSPRING2		1		
054	HY00000519	LEVER4		1		
055	HY00000033	ANNEAU CAOUTCHOUC		1		
056	HY00000034	GUIDE VALVE DE COMMANDE		1		
057	HY00000035	RESSORT DE COMPRESSION 4		1		
058	HY00000949	TRIGGER VALVE STEM		1		
059	HY00000037	O-RING 3		2		
060	HY00000038	CARTER VALVE DE COMMANDE		1		
061	HY00000039	O-RING 11		1		
062	HY00000705	RESSORT DE COMPRESSION 10		1		
063	HY00000506	HOLDER		1		
064	HY00000024	AXE 3-26		2		
065	HY00000421	COMPRESSIONSPRING5		1		
066	HY00000444	UPPERYOKE		1		
067	HY00000439	CONTACTARMCOMPLETE		1		
068	HY00000378	ADAPTATEUR		1		
069	HY00000001	VIS HEX M4X10		2		
070	HY00000432	CONTACTARMCOVER		1		
071	HY00000005	VIS HEX M5X20		2		
072	HY00000538	PLATE		1		
073	HY00000473	MAINMAGAZINEASSY		1		
073		INC. 74-86				
074	HY00000681	HEX.SOCKETHEADBOLTM4X14		2		
075	HY00000606	DRIVERGUIDE		1		
076	HY00000525	PIN2		2		
077	HY00000585	CAUTIONLABEL		1		
078	HY00000378	ADAPTATEUR		1		
079	HY00000074	VIS HEX M4X8		1		
080	HY00000161	SPRING WASHER 4		1		
081	HY00000625	LOCKPLATE		1		
082	HY00000616	COMPRESSIONSPRING5		1		
083	HY00000503	LEVER		1		
084	HY00000037	O-RING 3		1		
085	HY00000482	MAINMAGAZINE		1		
086	HY00000588	PIN4		1		
087	HY00000062	CROCHET		1		
088	HY00000651	HEX.SOCKETHEADBOLTM5X35		1		
089	HY00000472	SUBMAGAZINEASSY		1		
089		INC. 90-96				
090	HY00000493	PIN5		2		
091	HY00000628	COMPRESSIONSPRING4		2		
092	HY00000411	ORING2		1		
093	HY00000490	PUSHER		1		
094	HY00000477	SUBMAGAZINE		1		

095	HY00000502	SUBMAGAZINECAP		1		
096	HY00000639	PIN3		1		
097	HY00000528	HEX.LOCKNUTM5		1		
098	HY00000634	SLEEVE4		2		
A01	HY00000392	BLOW MOULD CASE		1		
A04	HY00000394	GOGGLES		1	*	
A05	HY00000396	OIL		1	*	
A05-1	181434-7	Recharge d'huile 100cc 30CC	O	1	*	
A05-2	HY00000396	OIL	O	1	*	
A05-3	181434-7	Recharge d'huile 100cc 30CC	O	1		

Veuillez indiquer les pièces n ° lorsque votre commande.

Date d'impression 29/09/2025